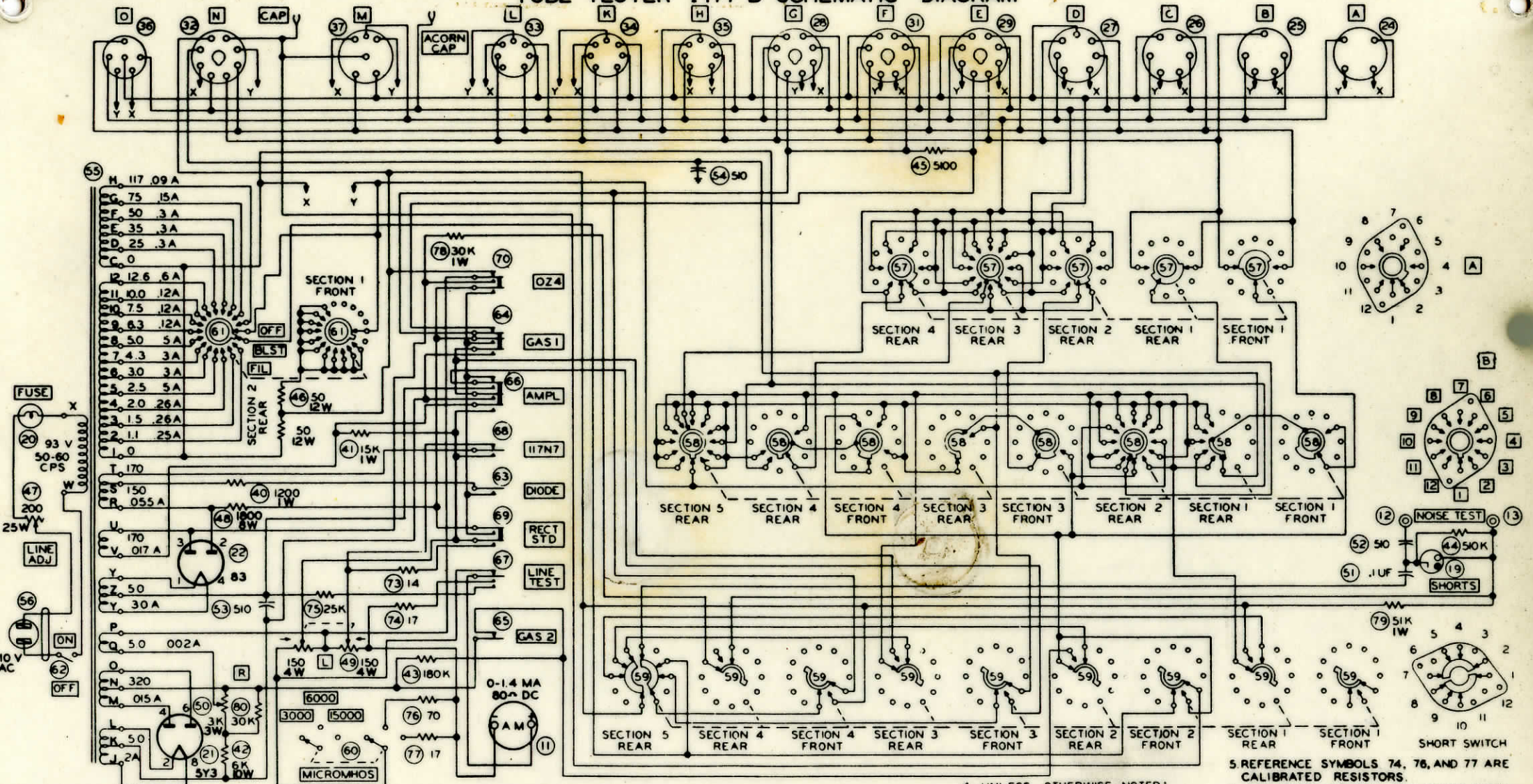


# TUBE TESTER I-177-B SCHEMATIC DIAGRAM



NOTES: 1. SWITCHES ARE VIEWED FROM END OPPOSITE CONTROL KNOB.  
 2. SECTIONS DESIGNATED NO 1 ARE NEAREST THE KNOB END.  
 3. SWITCHES SHOWN ARE IN NO1 POSITION

4. UNLESS OTHERWISE NOTED:  
 ALL CAPACITORS ARE IN UUF.  
 ALL RESISTORS ARE IN OHMS,  
 AND ARE 1/2 W.

5. REFERENCE SYMBOLS 74, 76, AND 77 ARE CALIBRATED RESISTORS.  
 6. ALL TUBE SOCKETS ARE VIEWED FROM THE REAR.