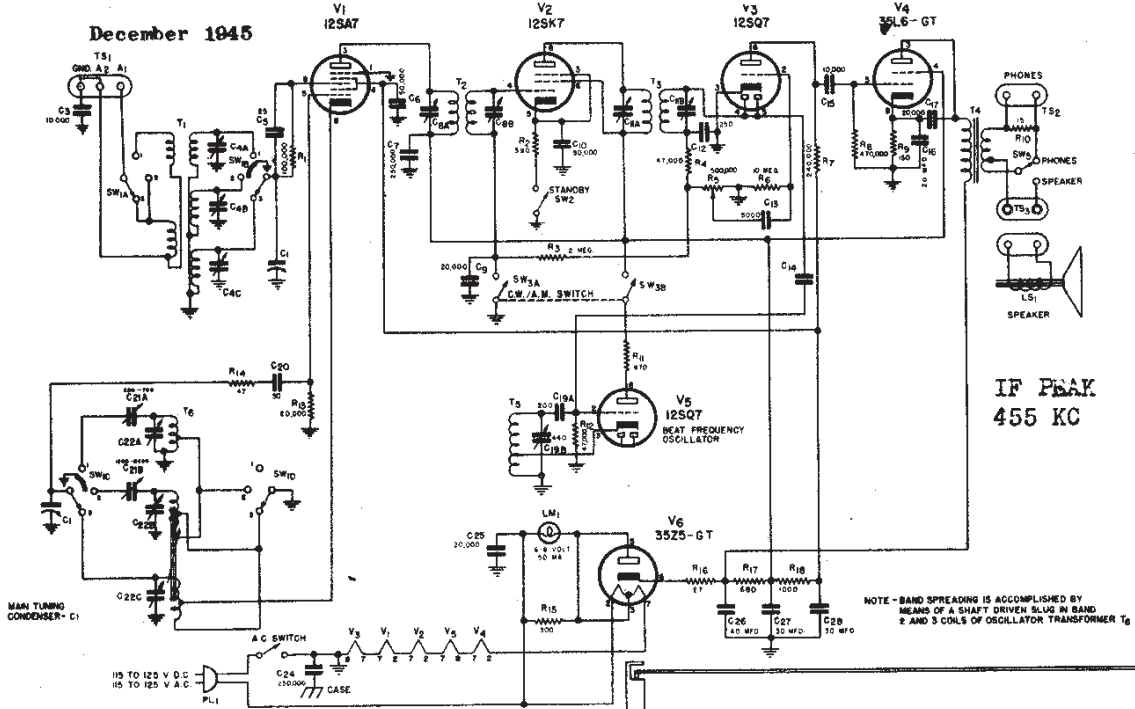


THE HALLICRAFTERS CO.

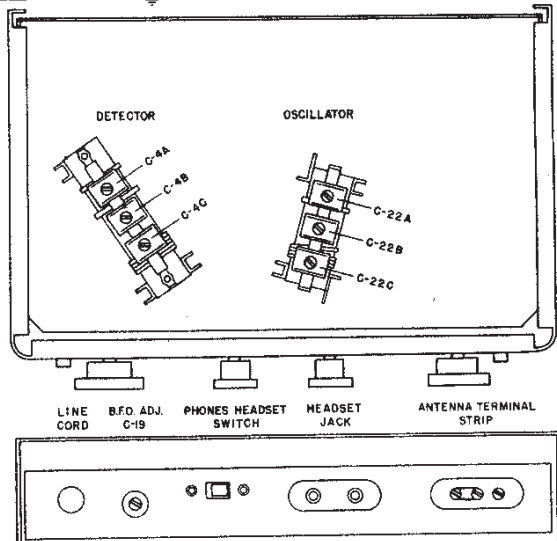
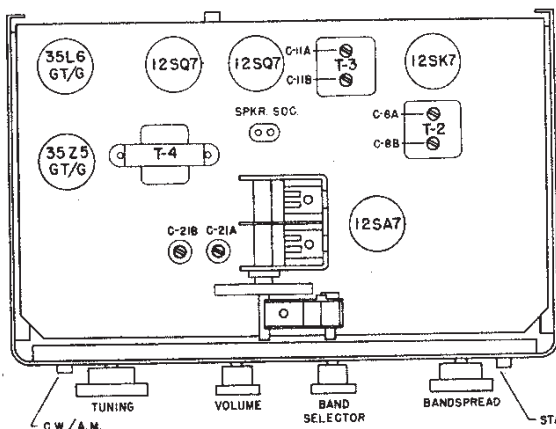
MODEL EC-1B, Echophone

December 1945



IF PEAK
455 KC

NOTE: RESISTANCE VALUES ARE IN OHMS.
CAPACITANCE VALUES ARE IN MICRO-MICRO
FARADS UNLESS OTHERWISE SPECIFIED.



Listed below in table form, are the alignment frequencies and adjustments necessary to align the receiver. CAUTION - Do not connect signal generator ground directly to the chassis, connect it to the "G" terminal of the antenna terminal strip.

NOTE - Set BANDSPREAD dial at "0" before attempting alignment. (Slug should be between Band 1 and Band 2 coils.)

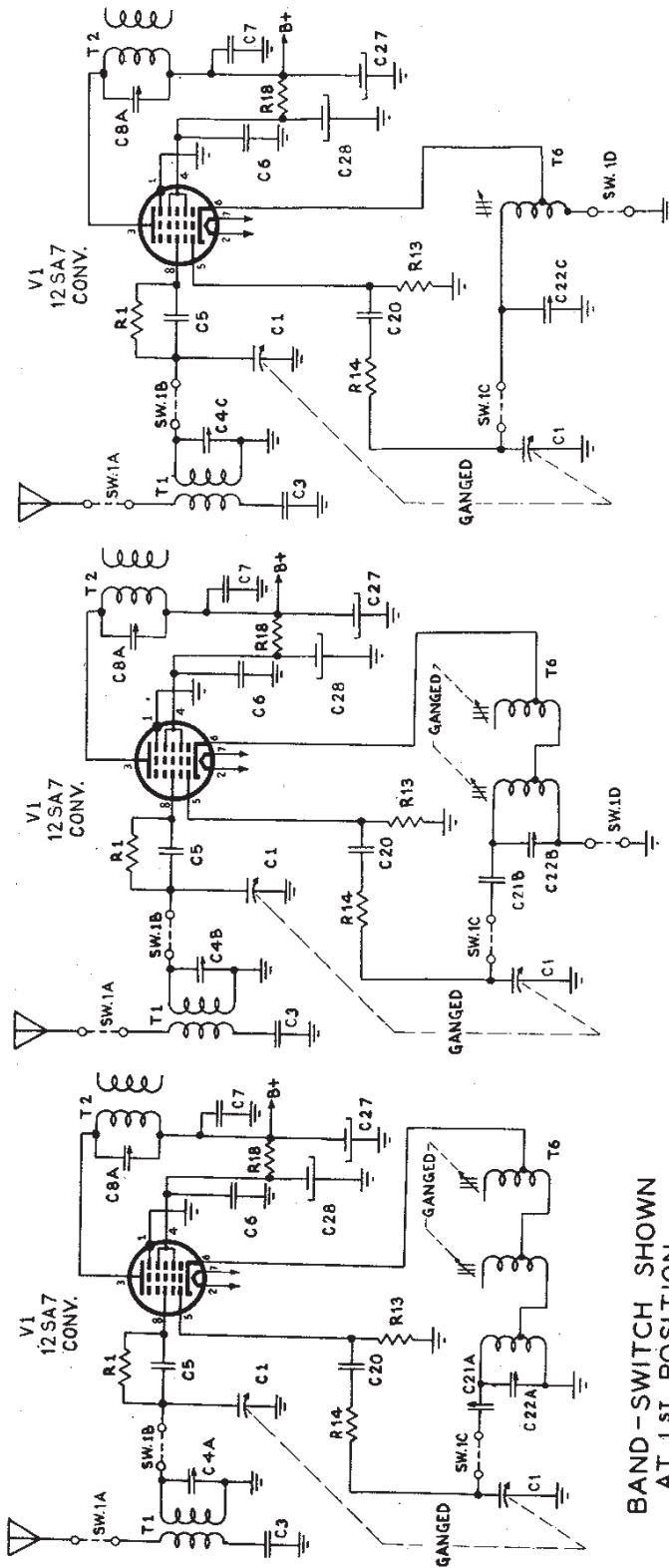
ALIGNMENT DATA

BAND	Signal Generator Frequency	Dummy Antenna	Adjust Pads	Adjust Trimmers
I-F	455 kc.	None	None	C-8A, C-8B, C-11A, C-11B
BFO	455 kc.	None	Adjust capacitor C-19 for zero beat.	
1	600 kc. 1800 kc.	330 ohm 330 ohm	C-21A None	None C-22A, C-4A
2	2.4 mc. 7.0 mc.	330 ohm 330 ohm	C-21B None	None C-22B, C-4B
3	No low frequency adjustment on this band. 28 mc.	330 ohm	None	C-22C, C-4C

©John F. Rider

MODEL EC-1B, Echophone

THE HALLICRAFTERS CO.



BAND-SWITCH SHOWN
AT 1ST POSITION.
BROADCAST BAND

BAND-SWITCH SHOWN
AT 2ND POSITION CLOCKWISE
BAND 2

BAND-SWITCH SHOWN
AT 3RD POSITION CLOCKWISE
BAND 3