

STEP
by
STEP



AMROH

MUIDEN - HOLLAND

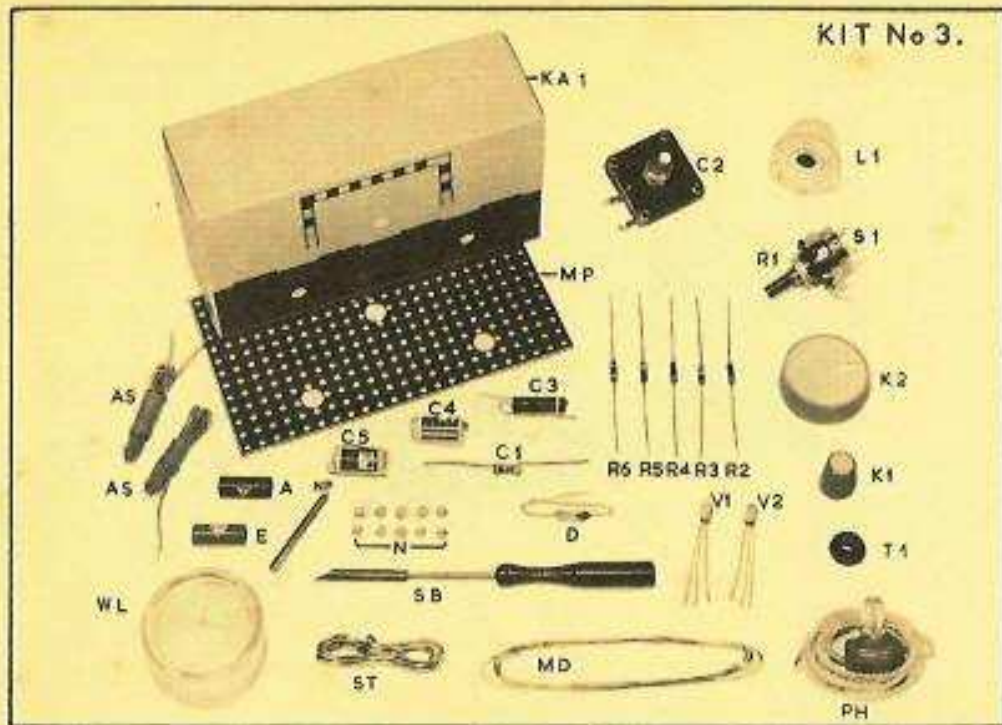
AMROH



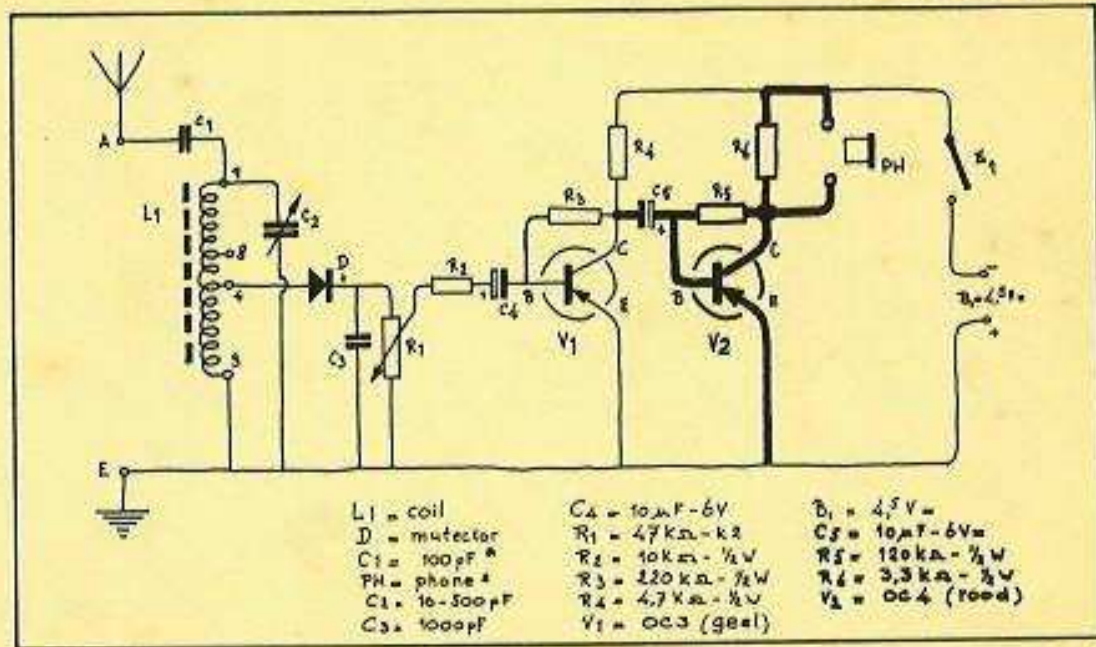


R1	-	470. K Ω	-	
R2	-	10. K Ω	-	
R3	-	220. K Ω	-	
R4	-	4.7K Ω	-	
R5	-	120. K Ω	-	
R6	-	33K Ω	-	
R7	-	33K Ω	-	
R8	-	56K Ω	-	
R9	-	1.5K Ω	-	
R10	-	100 Ω	-	

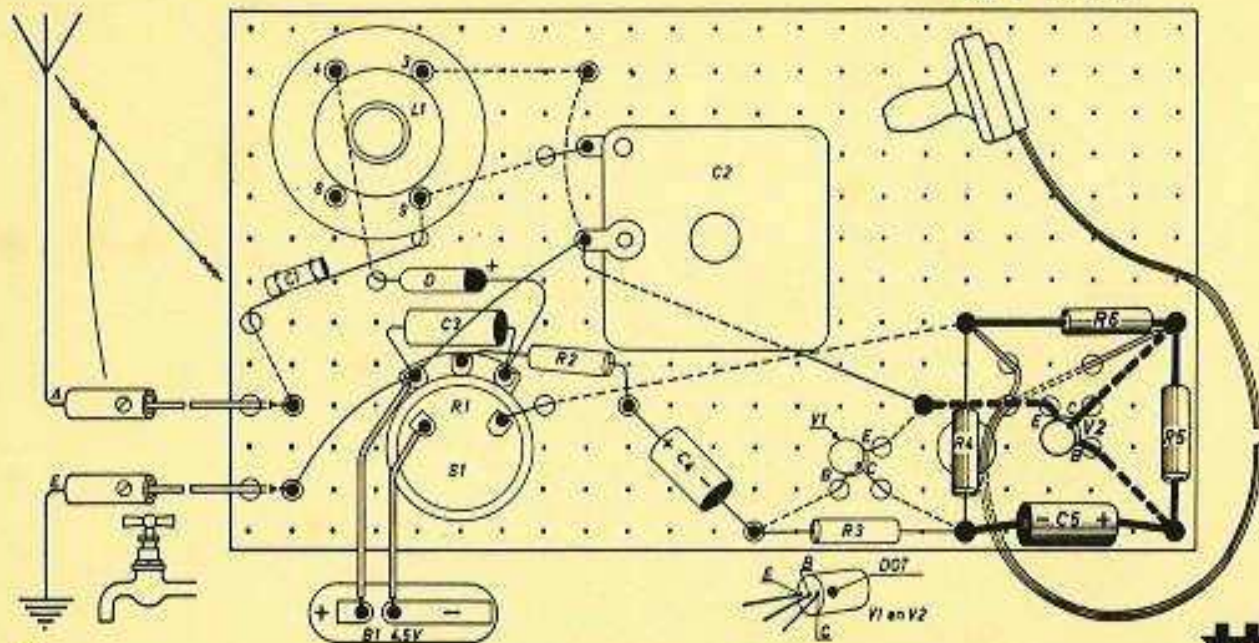
KIT No 3.



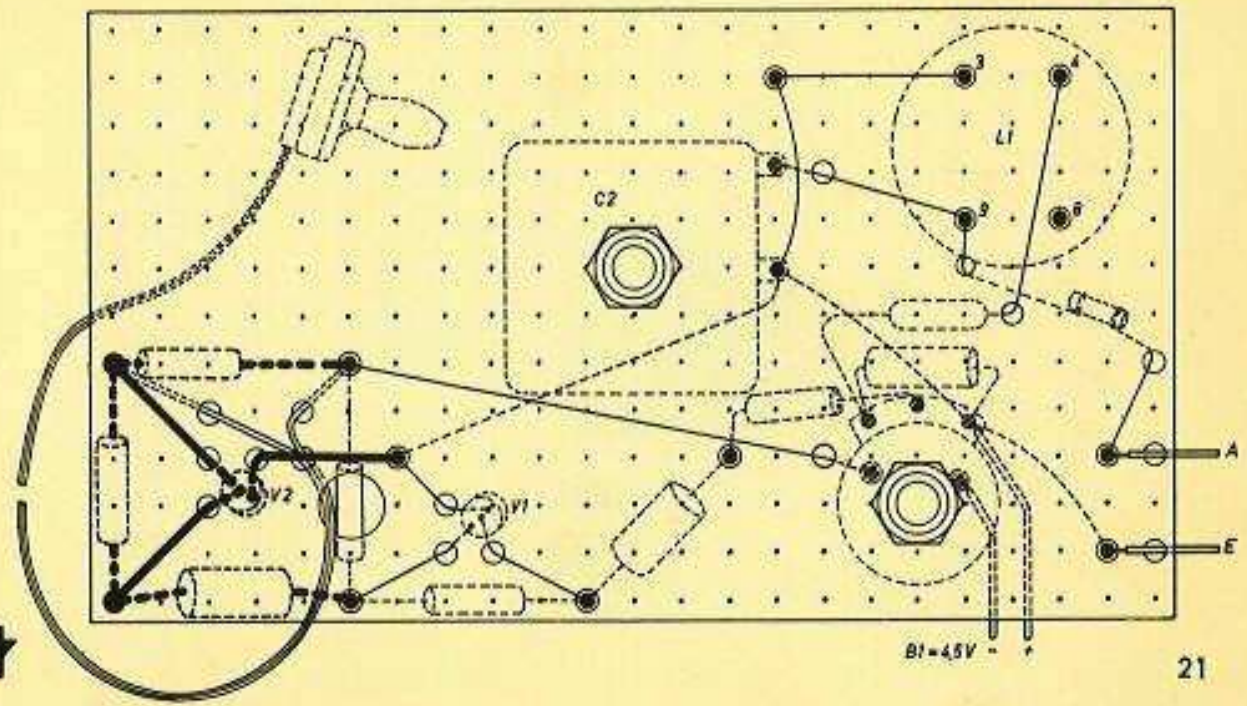
KIT No 3.



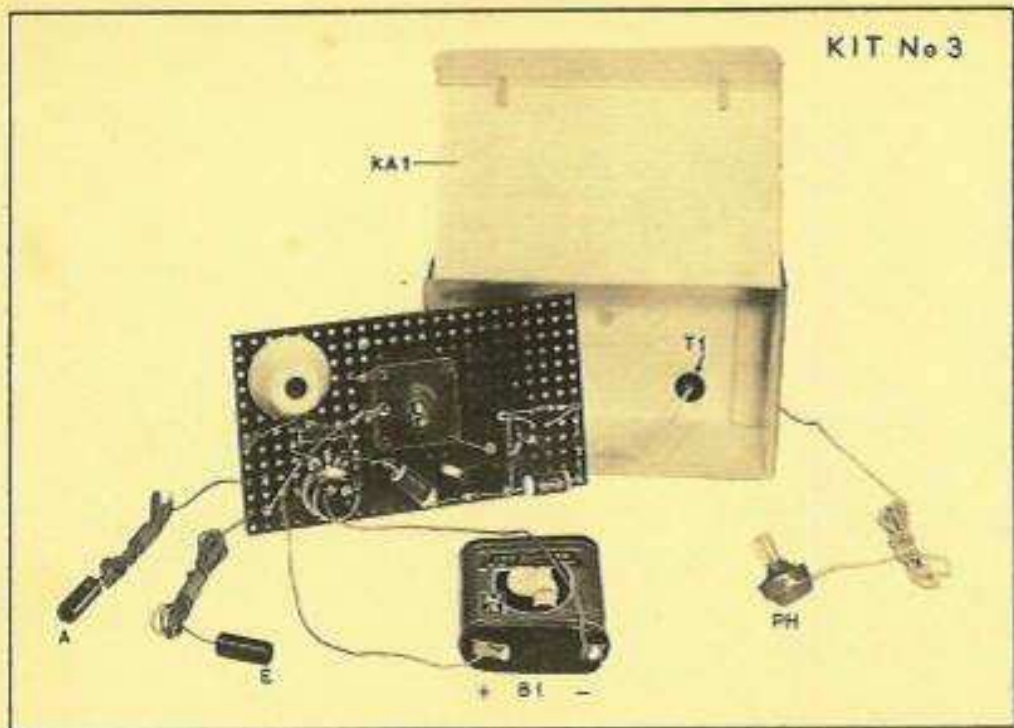
KIT No 3.



KIT No 3.



KIT No 3

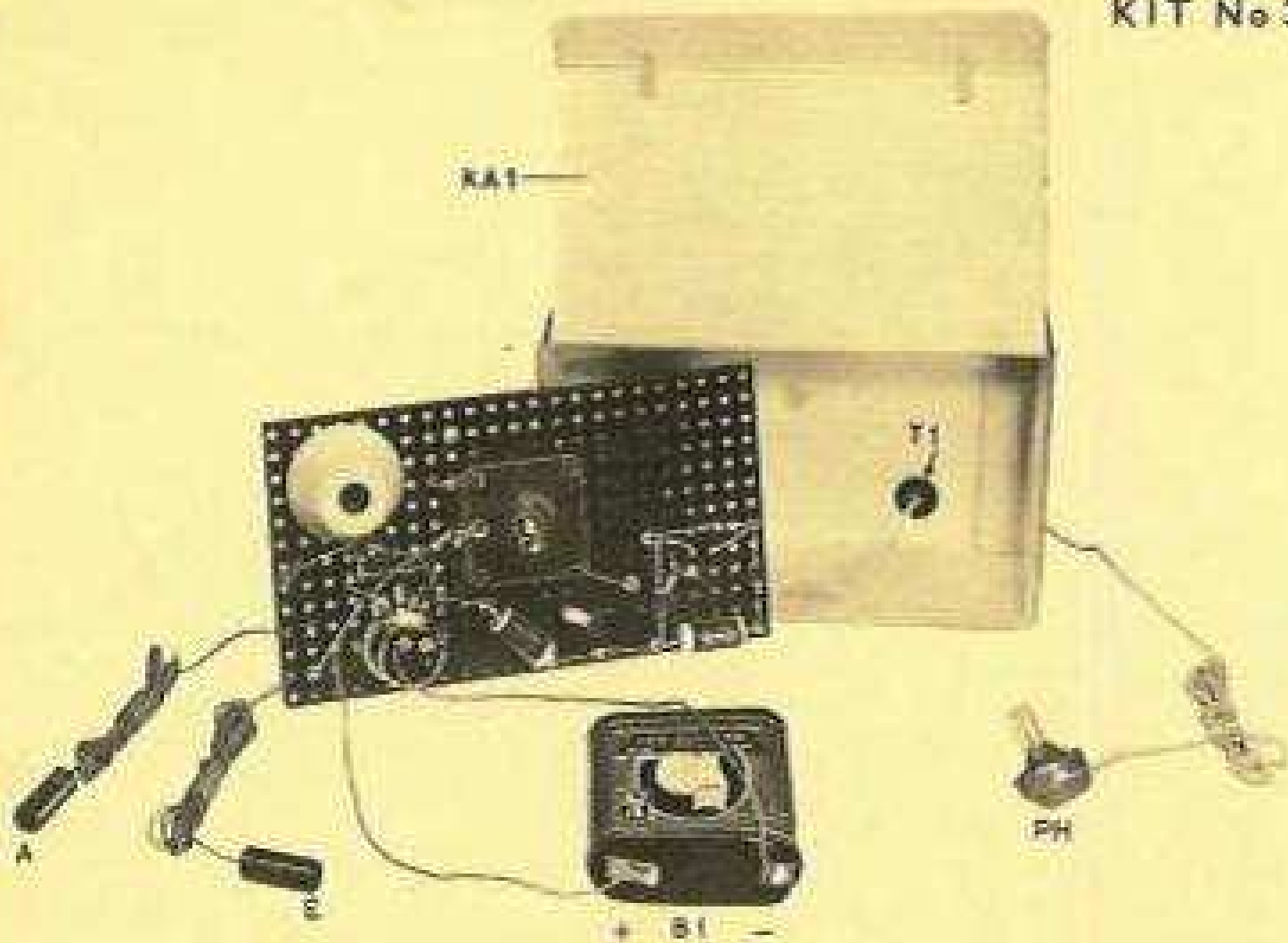


22



KIT No.3

RA1



PH

+ B1 -