

GRUNDIG

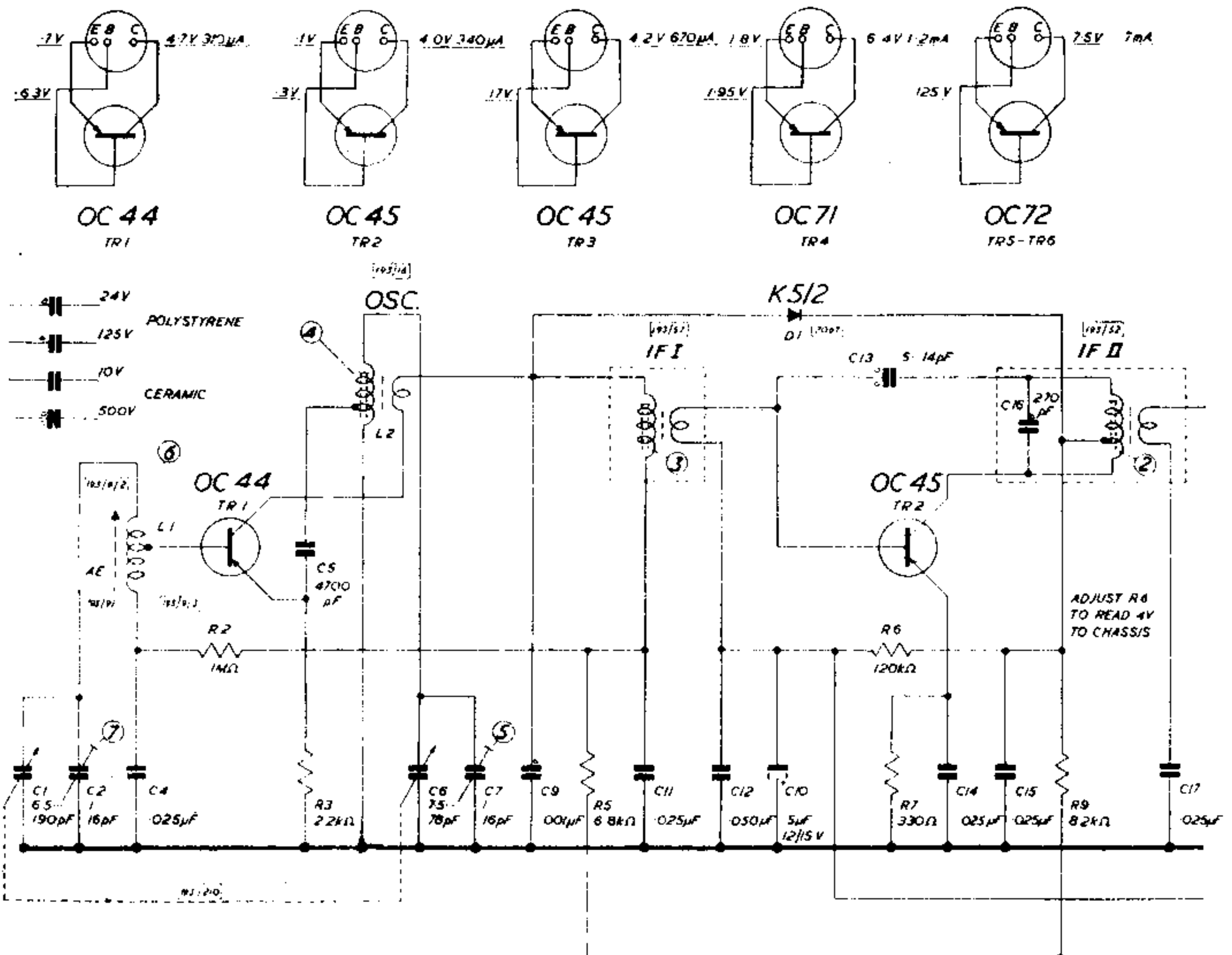
MICROBOY, MINIBOY

General Description: Six-transistor (plus two crystal diodes), medium-wave (570-1620 kc/s.), personal receivers which can be fitted into a table cabinet with large speaker for home use.

Power Supply: 9-volt battery (Type PP3 or equivalents).

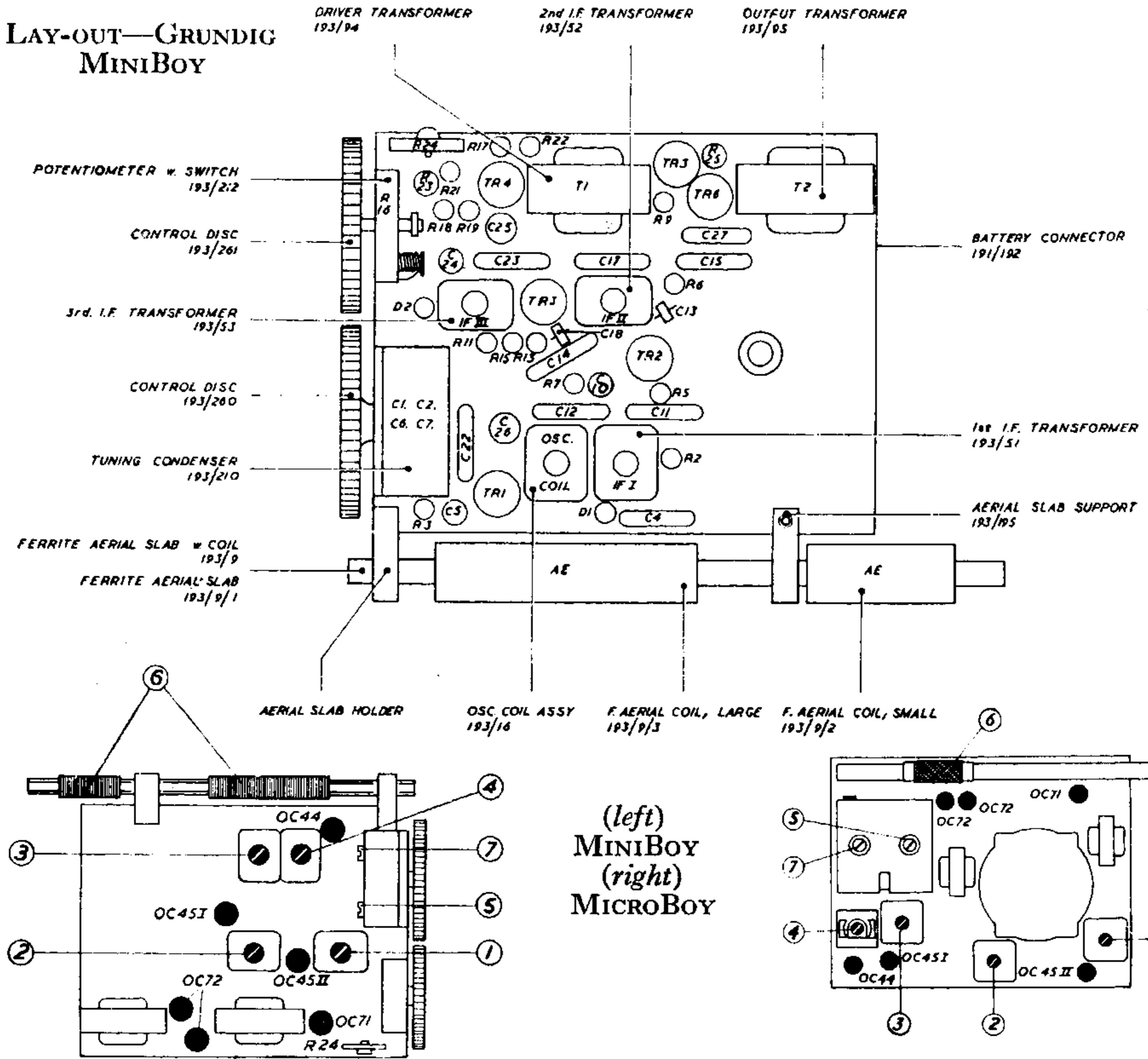
Transistors: (TR1) OC44; (TR2) OC45; (TR3) OC45; (TR4) OC71; (TR5) OC72; (TR6) OC72. Crystal diodes (Microboy) two OA70; (Miniboy) two K5/2. Adjustments with battery voltage about 7.5.

Servicing Notes: *Current TR5, 6:* Set volume control to minimum, remove link, insert milliammeter in series, adjust R24 when fitted for 1.4 mA. (if not pre-set adjust by substituting different values of R24). *Working Point TR2:* Connect voltmeter between R9 and chassis (+ to chassis). On Microboy adjust R7 for reading of 4.3 volts (control or substitute resistors). On Miniboy adjust or replace R6 for reading of 4 volts. During operation there should be no signal input. *I.F.:* Inductively inject a 460-kc/s. signal and adjust I.F. transformers with gang at maximum. *Oscillator:* Inject 510 kc/s. and adjust core 4 (gang maximum). Inject 1620 kc/s. and adjust trimmer 5 with gang at minimum. *Aerial:* Inject 560 kc/s. and adjust core 6. Inject a 1450-kc/s. signal and adjust trimmer 5. Afterwards recheck oscillator. *Neutralisation:* Check when I.F. transistors are changed. Connect signal generator (460 kc/s.) via 0.1 μF. to collector TR3.



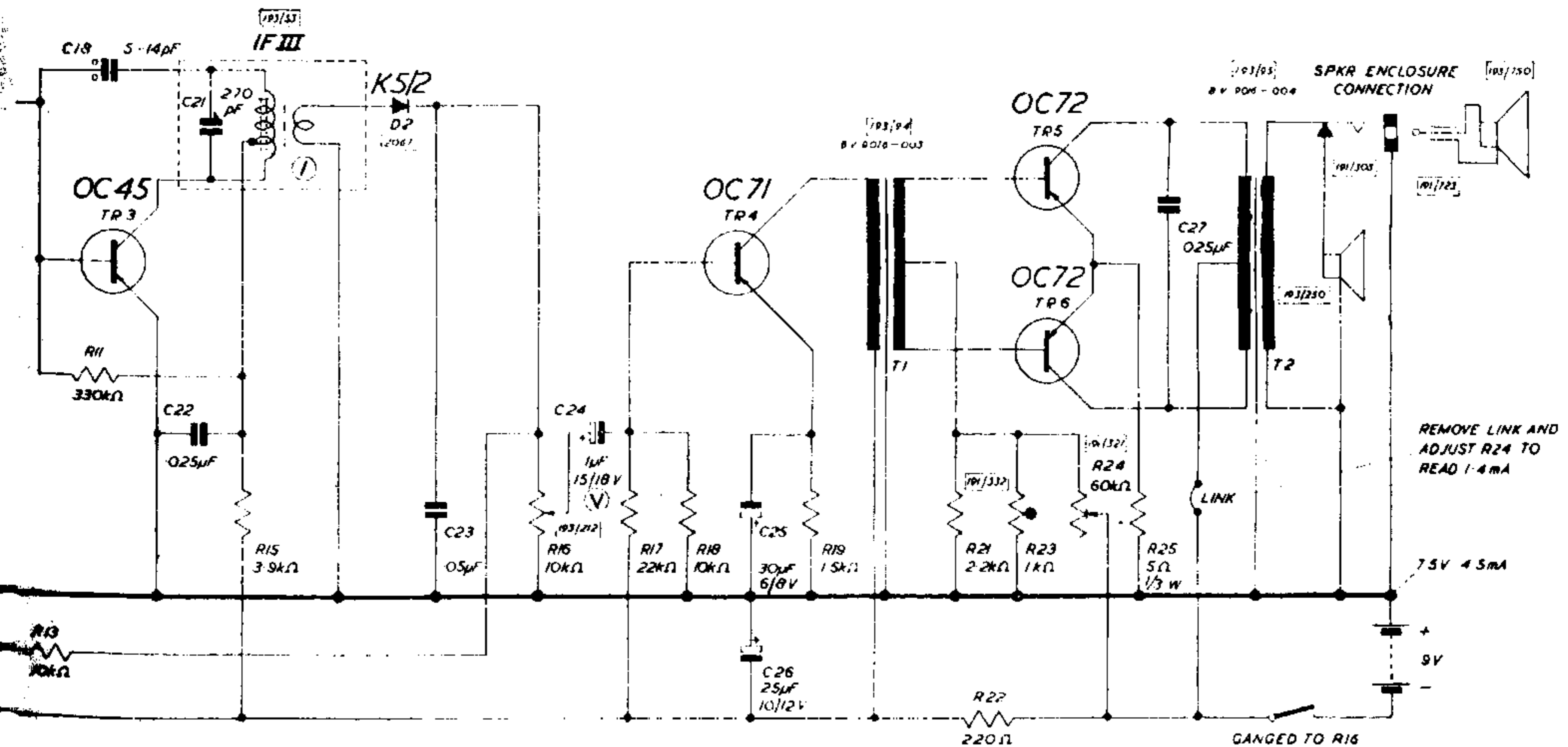
CIRCUIT DIAGRAM—

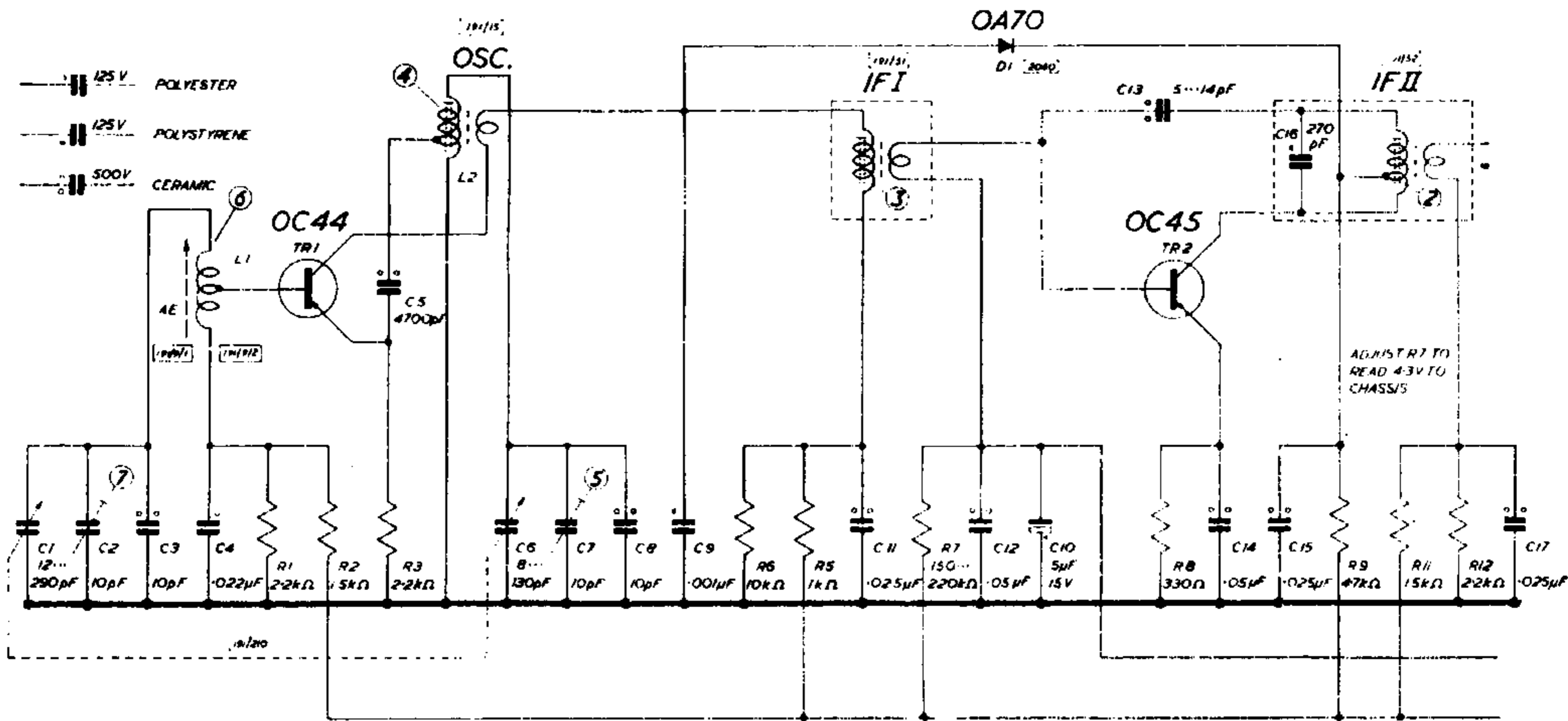
LAY-OUT—GRUNDIG
MINI BOY



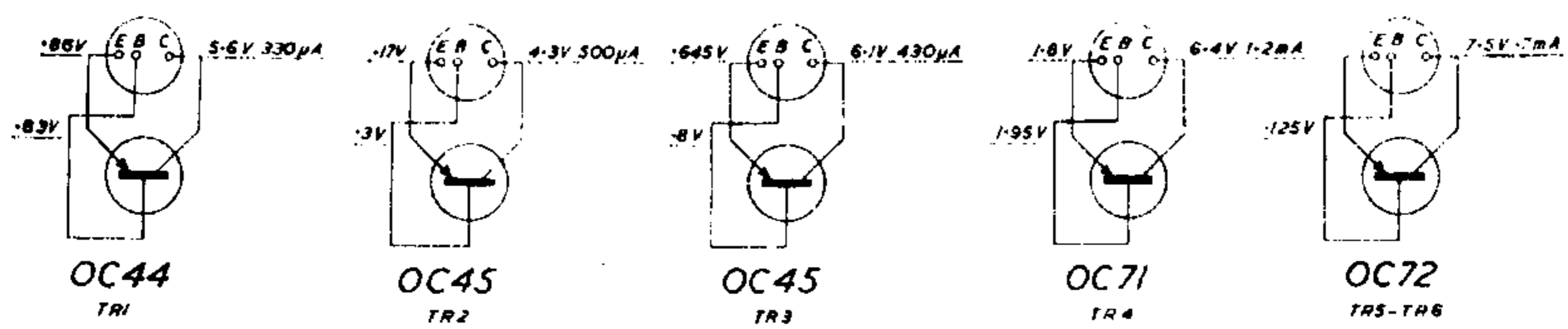
(left)
MINI BOY
(right)
MICRO BOY

Couple base of TR₃ with 100 pF. and close braided screened lead to grid of first I.F. of another radio with same I.F. With output meter connected across speaker connections, adjust C₁₈ for minimum output. Same for TR₂.

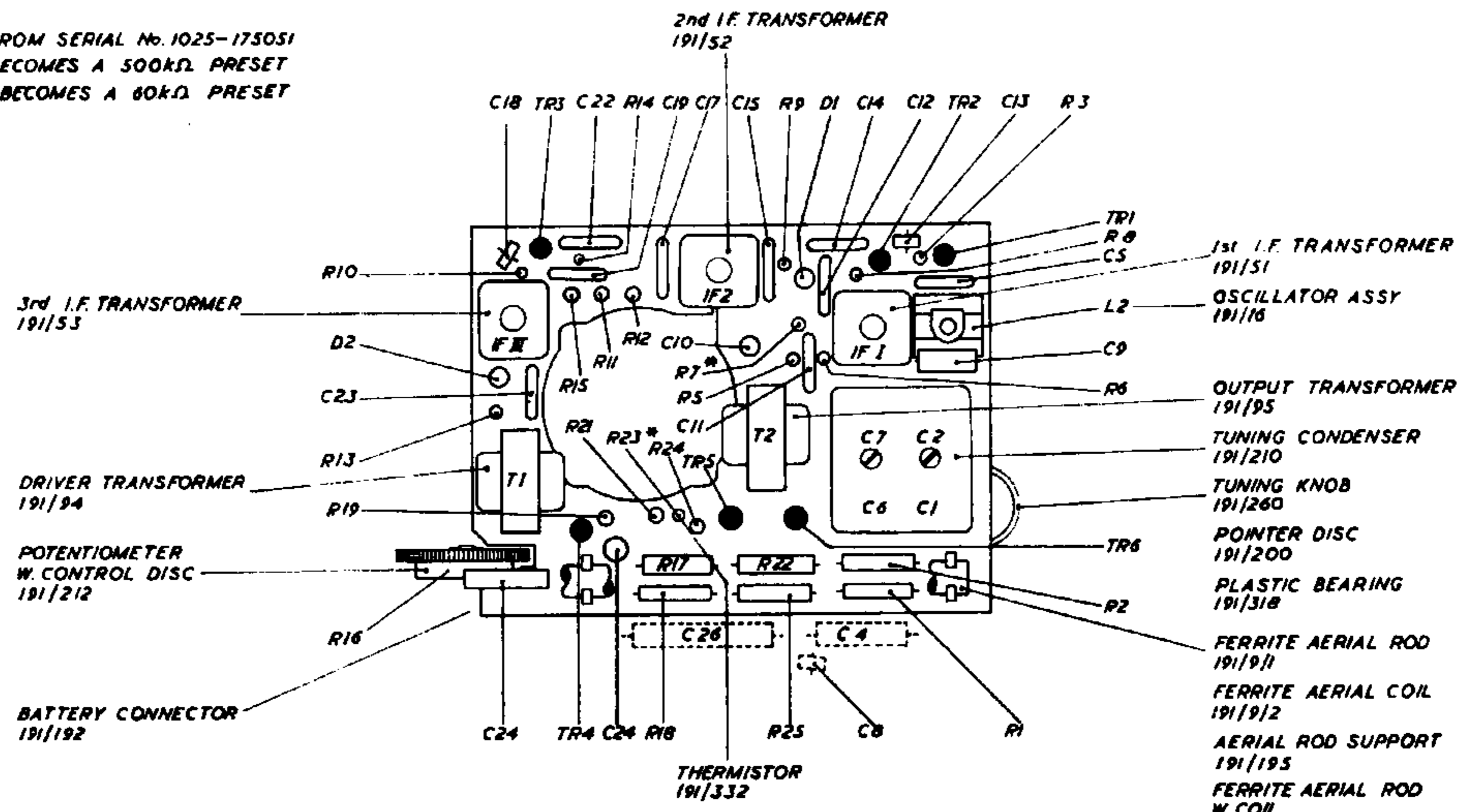




CIRCUIT DIAGRAM—



* AS FROM SERIAL No. 1025-175051
R7 BECOMES A 500kΩ PRESET
R24 BECOMES A 60kΩ PRESET



VOLTAGES AND LAY-OUT—GRUNDIG "MICROBOY"

