

FM=Spulensatz 7435-005 ZF=10,7MHz
AM=Spulensatz 7410-004 ZF=468kHz

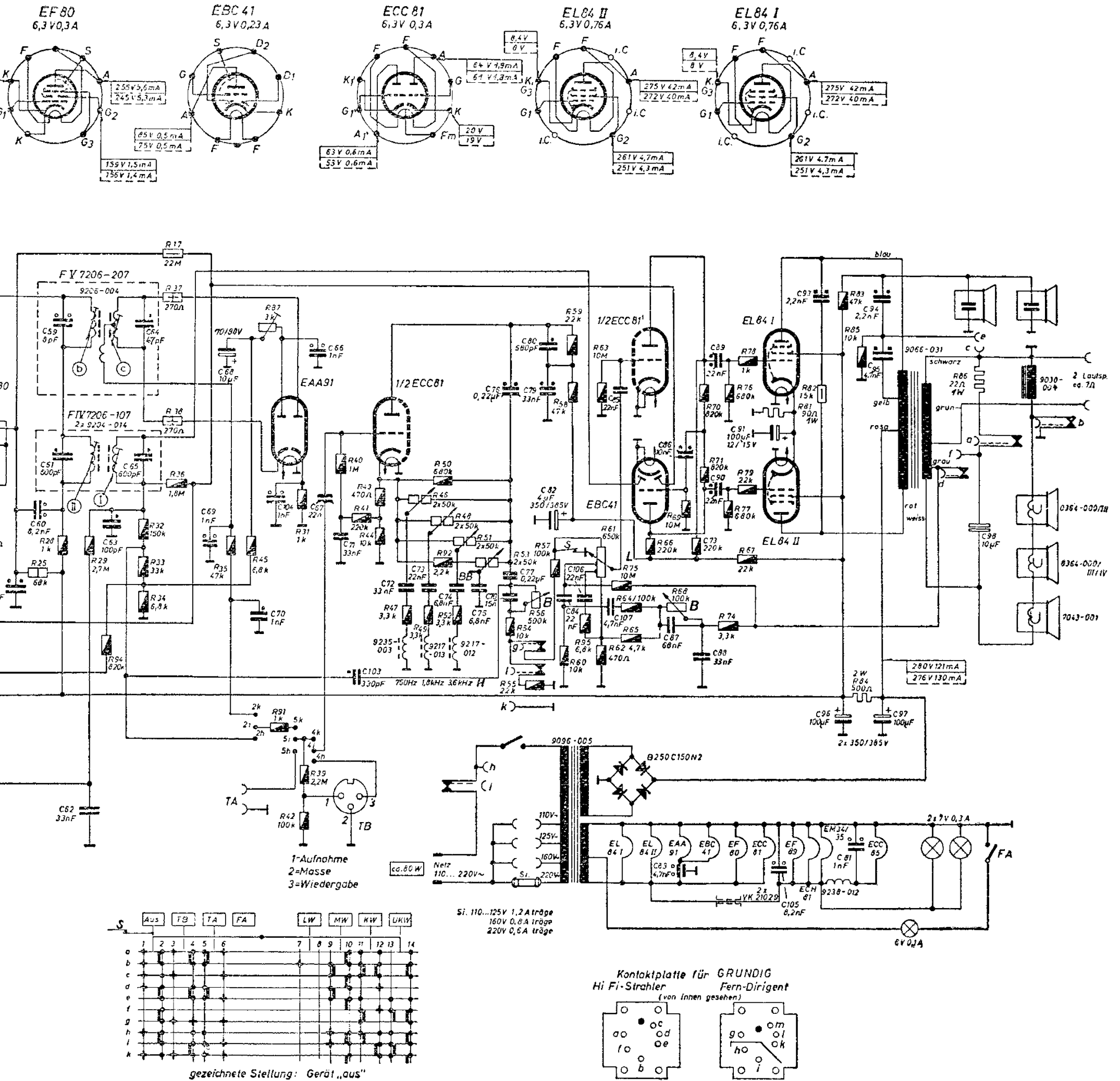
Spannungen mit GRUNDIG-Röhrevoltmeter gegen Masse gemessen. Maßwerte gelten bei 220V auf [MW] [UKW] ohne Antennensignal

Änderungen vorbehalten

2,	3,	4, 5, 6, 7,	8, 9, 14, 10, 11, 12, 13,	15,	16, 17, 18, 41, 18, 21, 22, 23, 1,	24, 25, 26, 27, 28,	29,	102,	30,	31,	32,	33,	34,	36, 37, 38, 39, 40, 46, 20, 44, 42, 4, 3, 47, 45,	50, 49, 51,	53, 54,	52,	56, 55, 57,	58, 100,	101,
1,	2,	90, 3,	4,	5,	6,	7,					8,	16, 10, 15, 11,	12,	14,	24,	19, 20,	27, 93,	25, 21,	18,	23,

Bemerkungen

Met dank aan John Koster



60, 59, 61, 62, 63, 64, 65, 69, 68, 70, 104, 66, 67, 71, 103, 72, 73, 74, 75, 76, 77, 78, 79, 80, 82, 64, 85, 106, 67, 107, 86, 83, 88, 89, 90, 105, 91, 93, 96, 94, 95, 97, 98, 99, 100, 101, 102, 103, 104, 105, 106, 107, 108, 109, 110, 111, 112, 113, 114, 115, 116, 117, 118, 119, 120, 121, 122, 123, 124, 125, 126, 127, 128, 129, 130, 131, 132, 133, 134, 135, 136, 137, 138, 139, 140, 141, 142, 143, 144, 145, 146, 147, 148, 149, 150, 151, 152, 153, 154, 155, 156, 157, 158, 159, 160, 161, 162, 163, 164, 165, 166, 167, 168, 169, 170, 171, 172, 173, 174, 175, 176, 177, 178, 179, 180, 181, 182, 183, 184, 185, 186, 187, 188, 189, 190, 191, 192, 193, 194, 195, 196, 197, 198, 199, 200
--