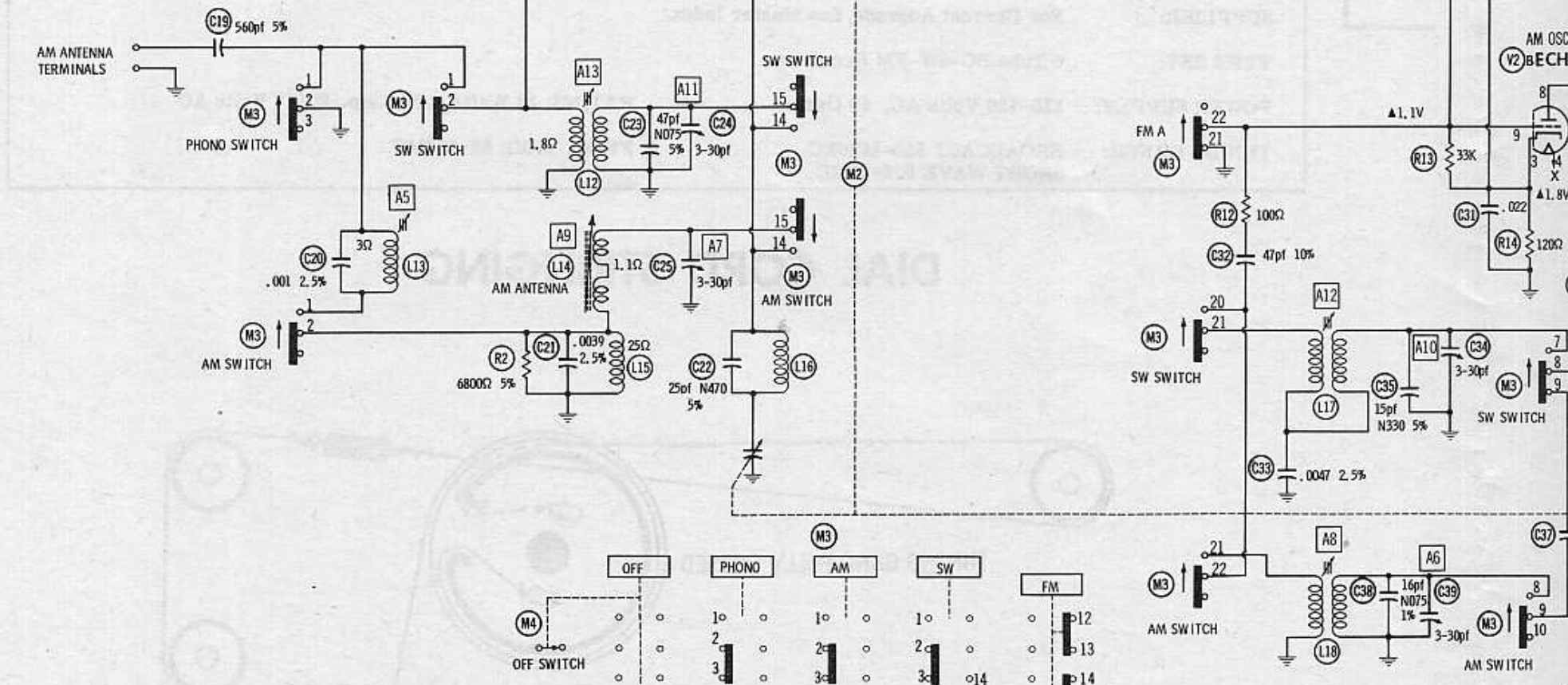


LINK ON ANTENNA TERMINAL BOARD. CUT WHEN EXTERNAL AM ANTENNA IS USED.



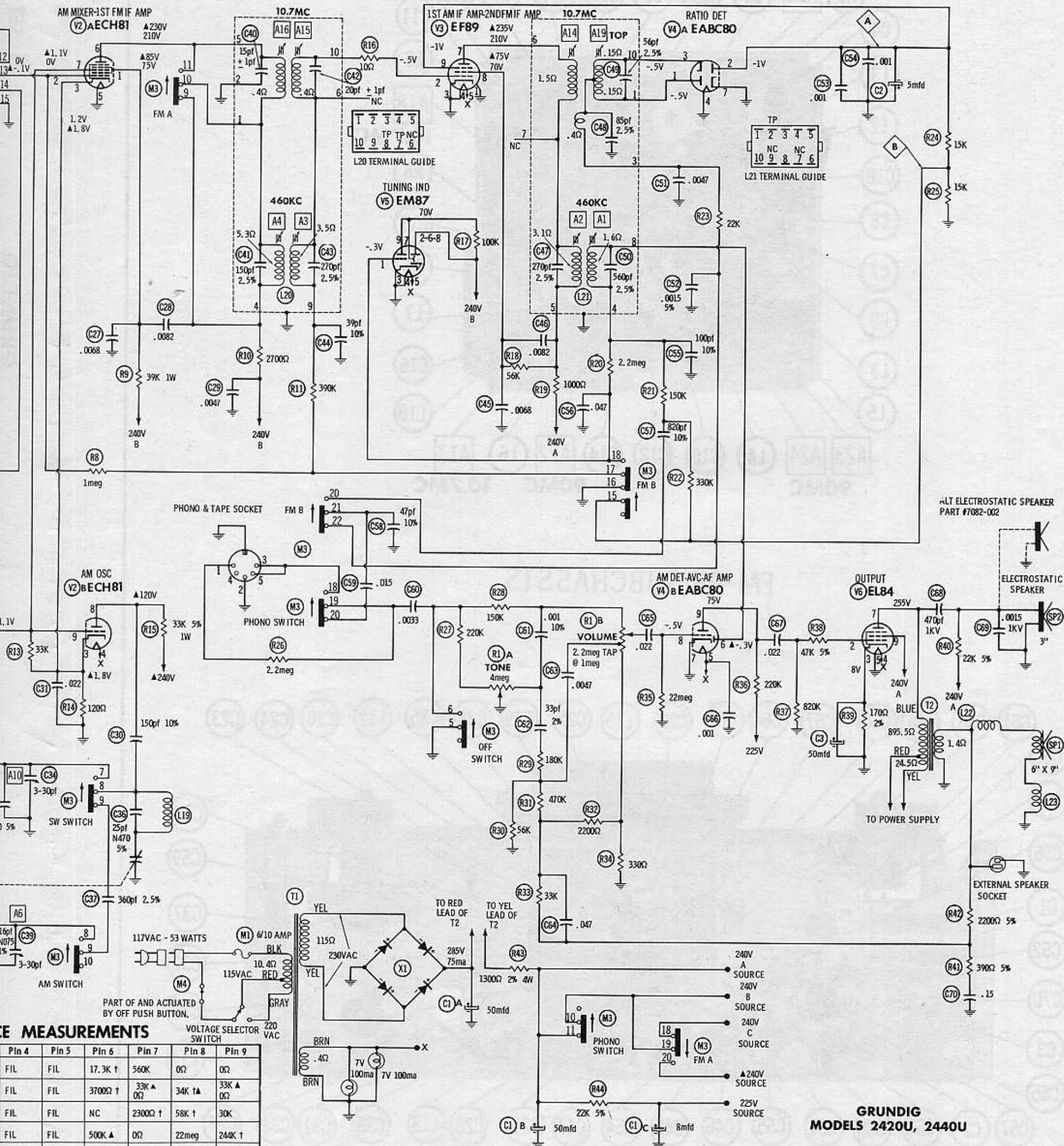
OFF	PHONO	AM	SW	FM
1	1	1	1	1
2	2	2	2	2
3	3	3	3	3
4	4	4	4	4
5	5	5	5	5
6	6	6	6	6
7	7	7	7	7
8	8	8	8	8
9	9	9	9	9
10	10	10	10	10
11	11	11	11	11
12	12	12	12	12
13	13	13	13	13
14	14	14	14	14
15	15	15	15	15
16	16	16	16	16
17	17	17	17	17
18	18	18	18	18
19	19	19	19	19
20	20	20	20	20
21	21	21	21	21
22	22	22	22	22

- Voltage measurements taken with vacuum tube voltmeter.
- All controls set for normal operation, no signal applied.
- Measured values are from socket pin or terminal to common ground.
- All terminals viewed from bottom unless otherwise designated.
- Numbers assigned to terminals may not be found on the unit.
- Supply voltage maintained at rated value for voltage readings.

A PHOTOFAC STANDARD NOTATION SCHEMATIC
© Howard W. Sams & Co. Inc., 1965

ITEM	TUBE	Pin 1	Pin 2	Pin 3	Pin 4	Pin 5	Pin 6
V1	ECC85	2300Ω †	330K	150Ω	FIL	FIL	17.3K
V2	ECH81	40K †	3.6meg ▲	120Ω	FIL	FIL	3700Ω
V3	EF89	0Ω	390K	0Ω	FIL	FIL	NC
V4	EABC80	INF	30K	INF	FIL	FIL	500K
V5	EM87	2.7meg	NC	0Ω	FIL	FIL	1300Ω
V6	EL84	NC	867K	170Ω	FIL	FIL	NC

ALL MEASUREMENTS MADE IN "FM" POSITION UNLESS OTHERWISE DESIGNATED
▲ MEASURED IN "AM" POSITION. † MEASURED IN "FM" POSITION.



MEASUREMENTS

Pin 4	Pin 5	Pin 6	Pin 7	Pin 8	Pin 9
FIL	FIL	17.3K †	560K	0Ω	0Ω
FIL	FIL	3700Ω †	33K ▲	34K 1A	33K ▲
FIL	FIL	NC	2300Ω †	58K †	30K
FIL	FIL	500K ▲	0Ω	22meg	24K †
FIL	FIL	1300Ω †	101K †	NC	101K †
FIL	FIL	NC	895Ω †	NC	1300Ω †

UNLESS OTHERWISE DESIGNATED. NC NO CONNECTION
† MEASURED FROM X1.

GRUNDIG
MODELS 2420U, 2440U