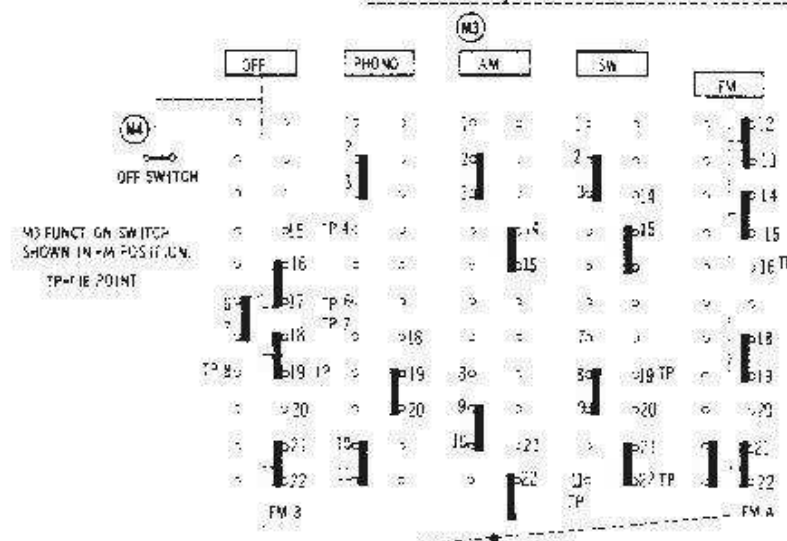
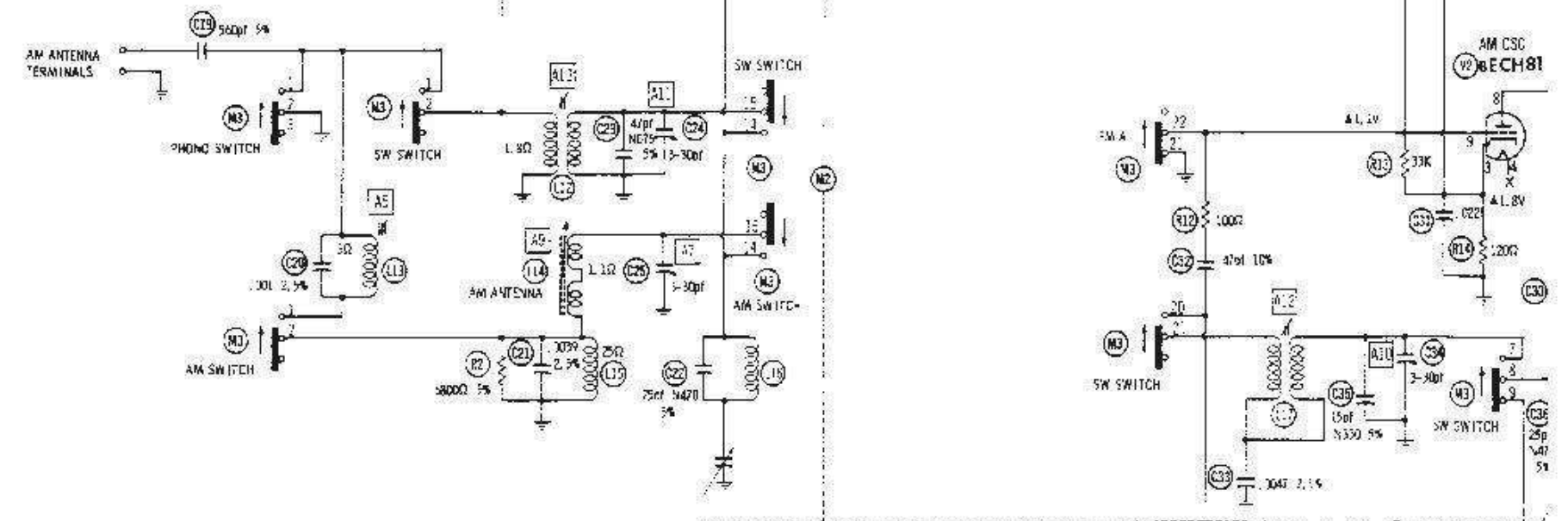


LINK ON ANTENNA TERMINAL BOARD. CUT WHEN EXTERNAL AM ANTENNA IS USED.

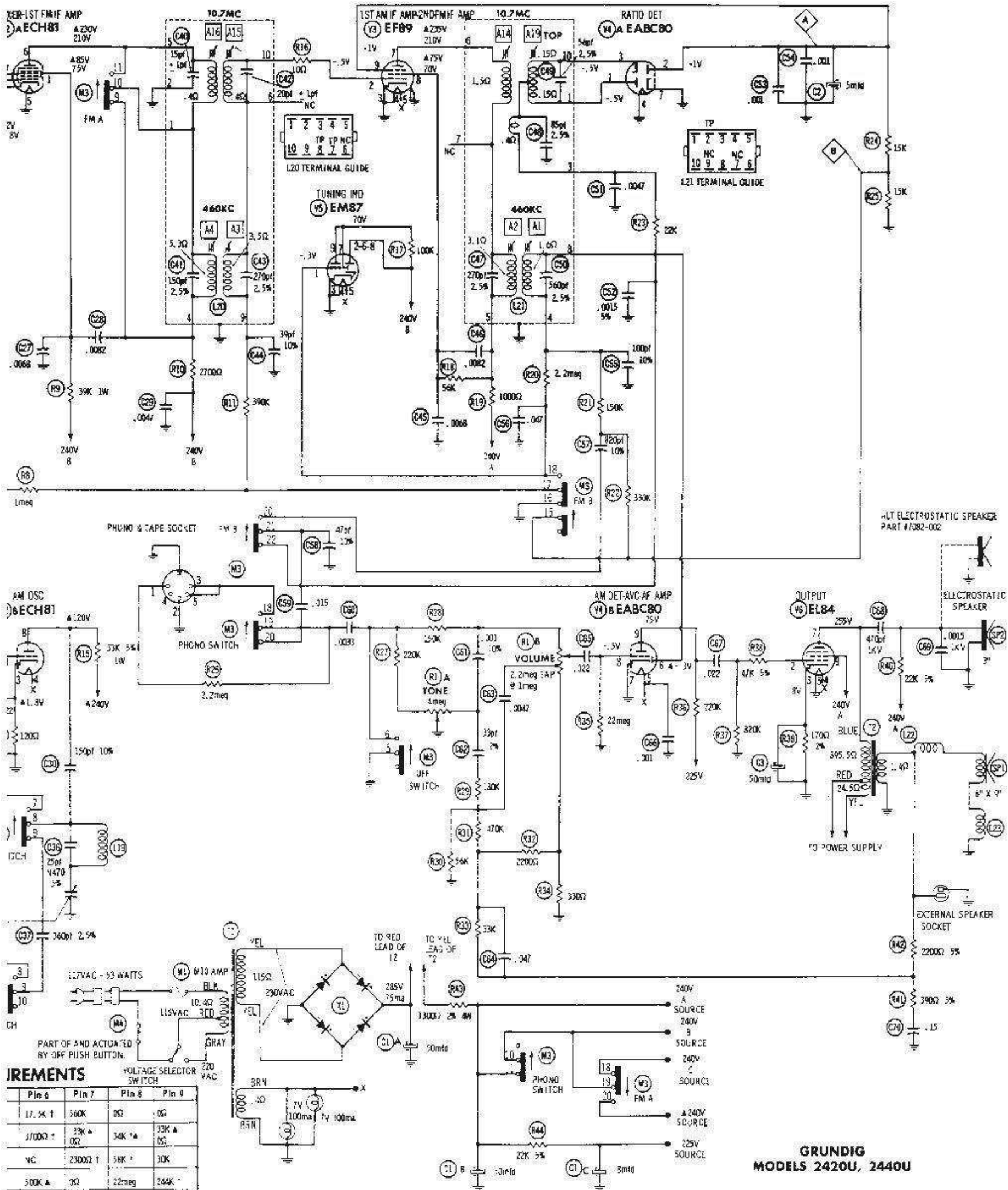


- Resistors are 1/2 watt or less and rated 10% or 20% unless otherwise indicated.
1. Voltage measurements taken with vacuum tube voltmeter.
  2. All controls set for normal operation, no signal applied.
  3. Measured values are from socket pin or terminal to common ground.
  4. All terminals viewed from bottom unless otherwise designated.
  5. Numbers assigned to terminals may not be found on the unit.
  6. Supply voltage maintained at rated value for voltage readings.
- A PHOTOFACIT STANDARD NOTATION SCHEMATIC  
© Howard W. Sams & Co., Inc., 1963

RESISTANCE MEASUREMENT

ITEM	TUBE	Pin 1	Pin 2	Pin 3	Pin 4	Pin 5	Pin 6
V1	6ECC85	2300Ω	1	230K	150Ω	FIL	FIL 17.5K
V2	6ECH81	40K	1	2.6meg & L.22	120Ω	FIL	FIL 3700Ω
V3	6EB9	0Ω	1	350K	0Ω	FIL	FIL NC
V4	6AC30	15F	1	30K	15F	FIL	FIL 500K
V5	6M87	2.7meg	1	NC	0Ω	FIL	FIL 1300Ω
V6	6L84	NC	1	80K	170Ω	FIL	FIL NC

ALL MEASUREMENTS MADE IN "FM" POSITION UNLESS OTHERWISE DESIGNATED  
▲ MEASURED IN "AM" POSITION



**RESISTORS**

Pin 6	Pin 7	Pin 8	Pin 9
17.5K ±	560K	0S2	0G
1/1000 ±	33K ±	34K ±	33K ±
NC	23000 ±	58K ±	30K
500K ±	0G	22meg	244K ±
13000 ±	101K ±	NC	101K ±
NC	8950 ±	NC	13000 ±

DESIGNATED, NC NO CONNECTION  
MEAS. RED FROM X1.

**GRUNDIG**  
MODELS 2420U, 2440U

**GRUNDIG**  
MODELS 2420U, 2440U

**FOLDER 8**