

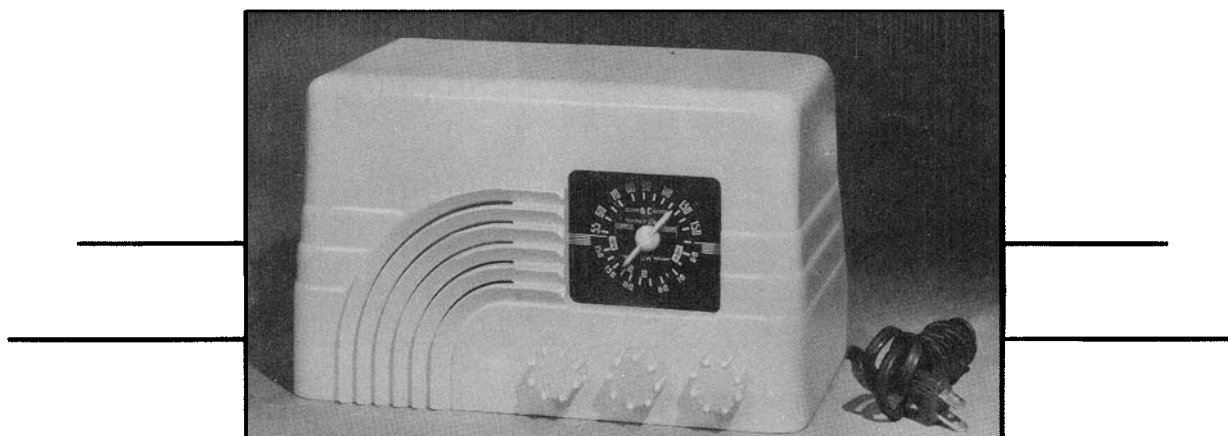
RADIO SERVICE BULLETIN

Model 5002

5 Tube Mantel Model

A.C. Universal Superheterodyne Radio Receiver

SERVICE INFORMATION

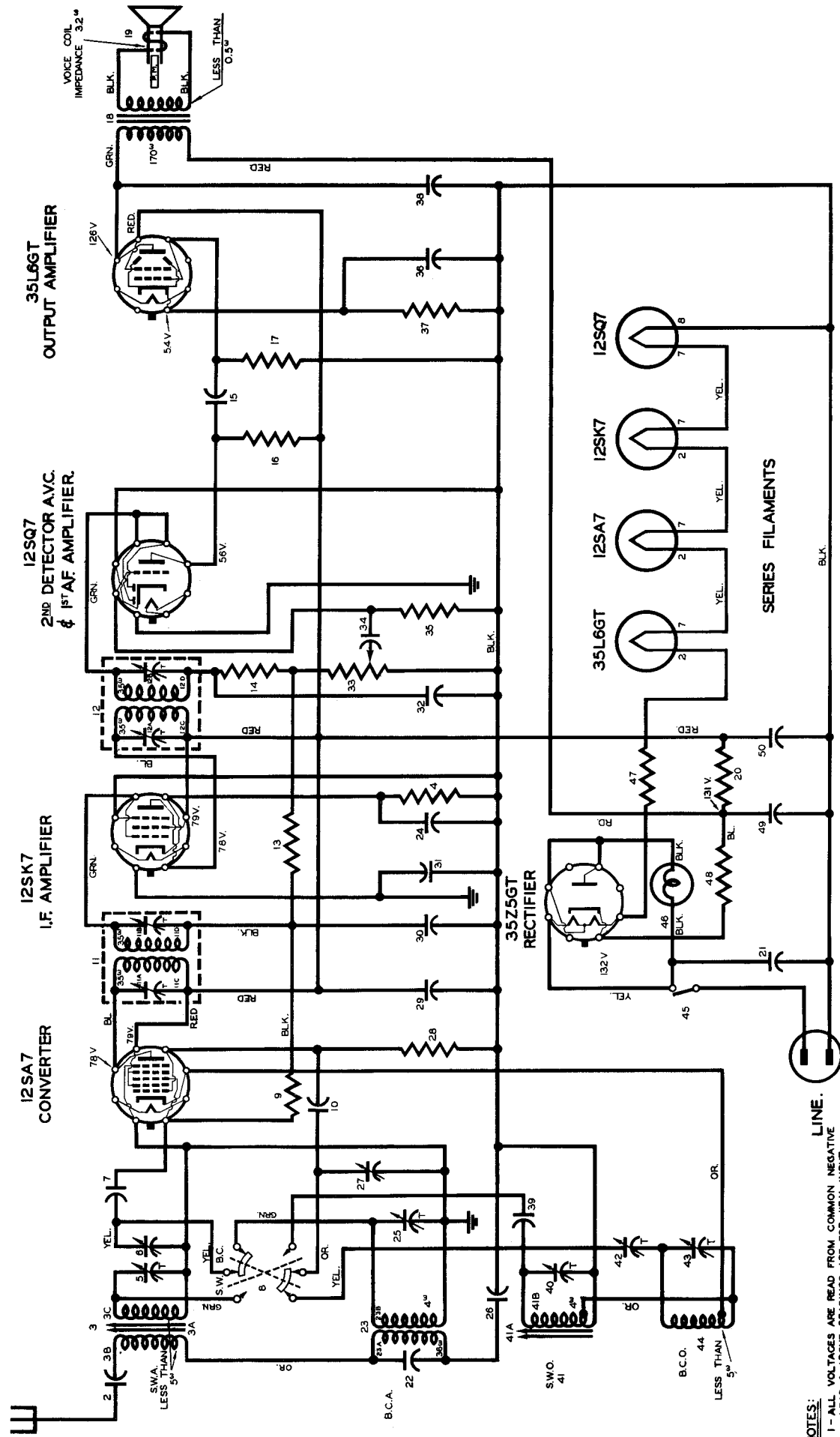


SPECIFICATIONS

GENERAL: This description covers the Radio Receiver Model 5002. Model 5002 is an a-c Universal Superheterodyne Radio Receiver.

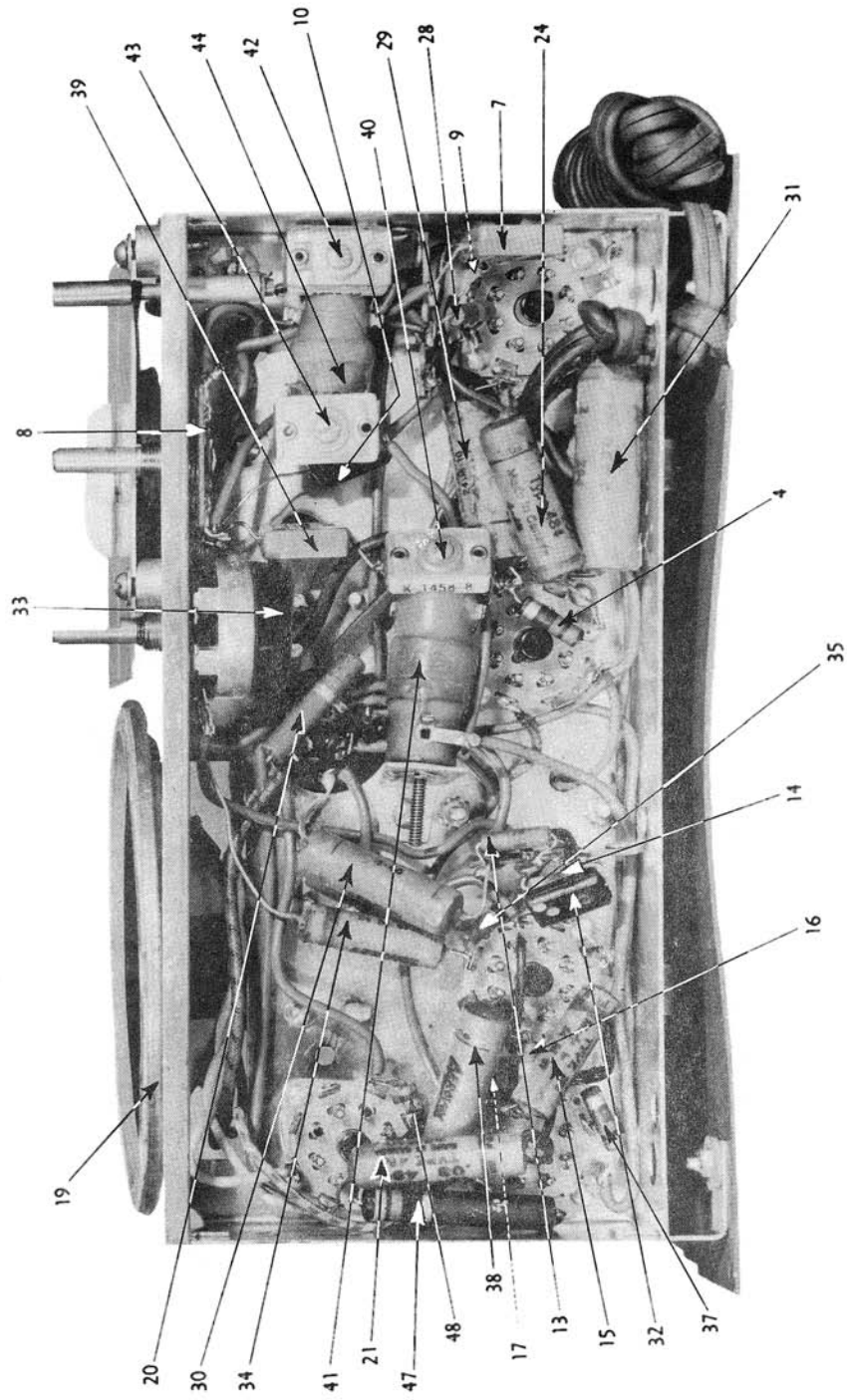
- FREQUENCY RANGE:**
540 KC to 1600 KC (Standard Broadcast)
5.8 MC to 15.2 MC (Short Wave)
- INTERMEDIATE FREQUENCY:**
455 KC
- TUBES:**

Type	Function
12SA7	Converter
12SK7	I-F Amplifier
12SQ7	(2nd Detector, A.V.C. & 1st Audio Amplifier)
35Z5GT	Rectifier
35L6GT	Output
- POWER SUPPLY:**
110-125 volts, 25-60 cycles
110-125 volts, d-c. (Reverse plug if set does not operate.)
Consumption 30 watts.
- POWER OUTPUT:**
1.5 watts
- A.V.C.:**
On 12SK7 I-F and 12SA7 converter
- AUDIO SYSTEM:**
Audio portion of 12SQ7 resistance-capacitance coupled to 35L6GT power output.
- Antenna consists of spool of twenty-five feet of flexible aerial wire attached to set.
- CONTROLS: THREE:**
 - Left-hand knob, volume control and on-off switch
 - Right-hand knob, tuning control
 - Centre knob, wave change switch
- LOUDSPEAKER:**
5" P.M.
- DIMENSIONS:**
Chassis assembly (excluding shafts) $10\frac{1}{2}$ " x $5\frac{3}{8}$ " x $5\frac{1}{8}$ ".
Overall Cabinet size (including knobs) $10\frac{5}{8}$ " x $6\frac{1}{4}$ " x $6\frac{1}{8}$ ".



- NOTES:**
- 1 - ALL VOLTAGES ARE READ FROM COMMON NEGATIVE LEAD & ABOVE READINGS ARE FOR 117 V. INPUT.
 - 2 - WIRING SIDE OF TUBES SHOWN.
 - 3 - WAVE CHANGE SWITCH SHOWN IN B.C. POSITION.

Schematic Diagram Model 5002



Wiring Diagram Model 5002

