



BY APPOINTMENT  
TO HER MAJESTY THE QUEEN  
RADIO MANUFACTURERS  
ROBERTS RADIO CO. LTD.

# THE ROBERTS RAMBLER

MW & LW Transistor Portable

## Technical Data



### SPECIFICATION

#### SEMICONDUCTORS

8 transistors  
1 diode

#### WAVEBAND COVERAGE

MW 184-555 metres (1630-540 kHz)  
LW 1130-2000 metres (267-150 kHz)

#### POWER OUTPUT

450 mW nominal, continuous sinewave

#### LOUDSPEAKER

85 mm (3.5") round, 12 ohms impedance

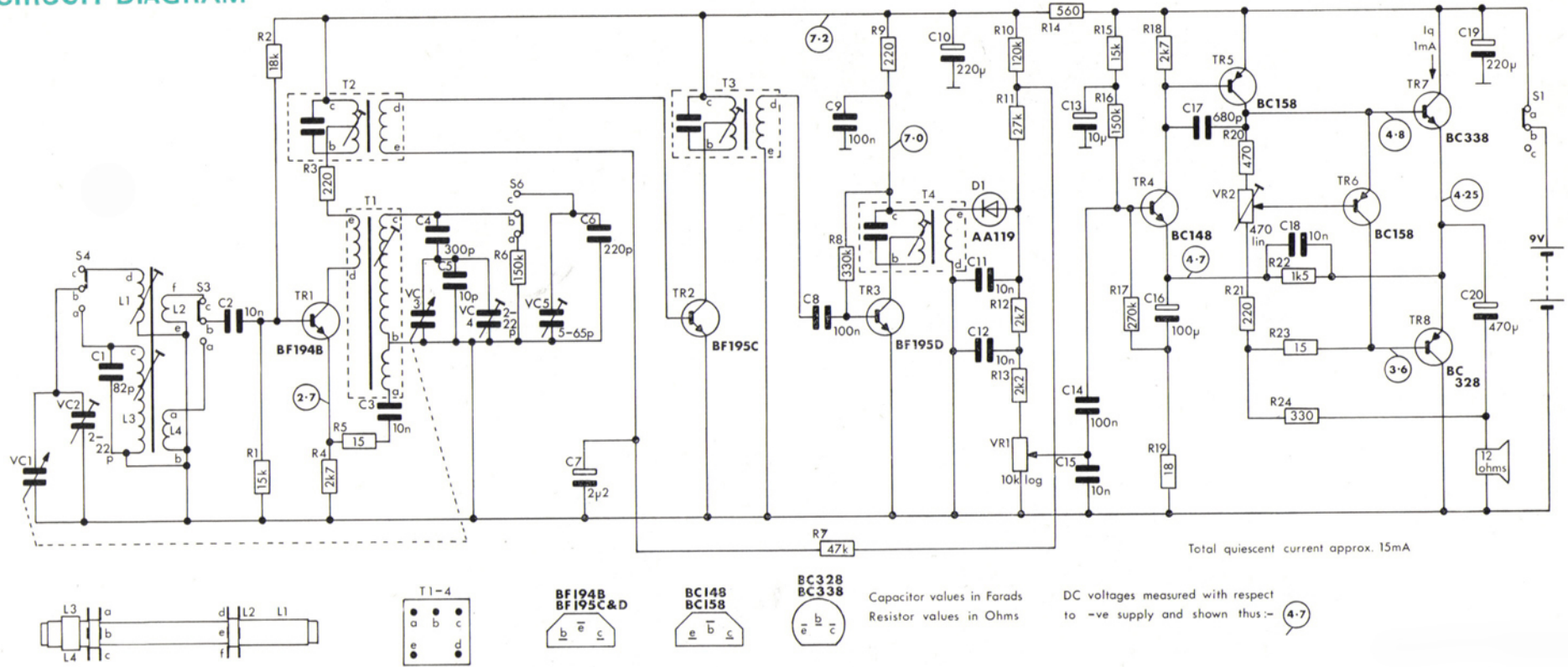
#### BATTERY

9 V PP9 (VT9) type

### DISMANTLING

1. Remove screws securing fibre strips at either end of case.
2. Ease complete chassis out from top of case bending the fibre strips in slightly to avoid handle studs.
3. When replacing chassis, care should be taken to avoid damaging board components on speaker magnet.

## CIRCUIT DIAGRAM

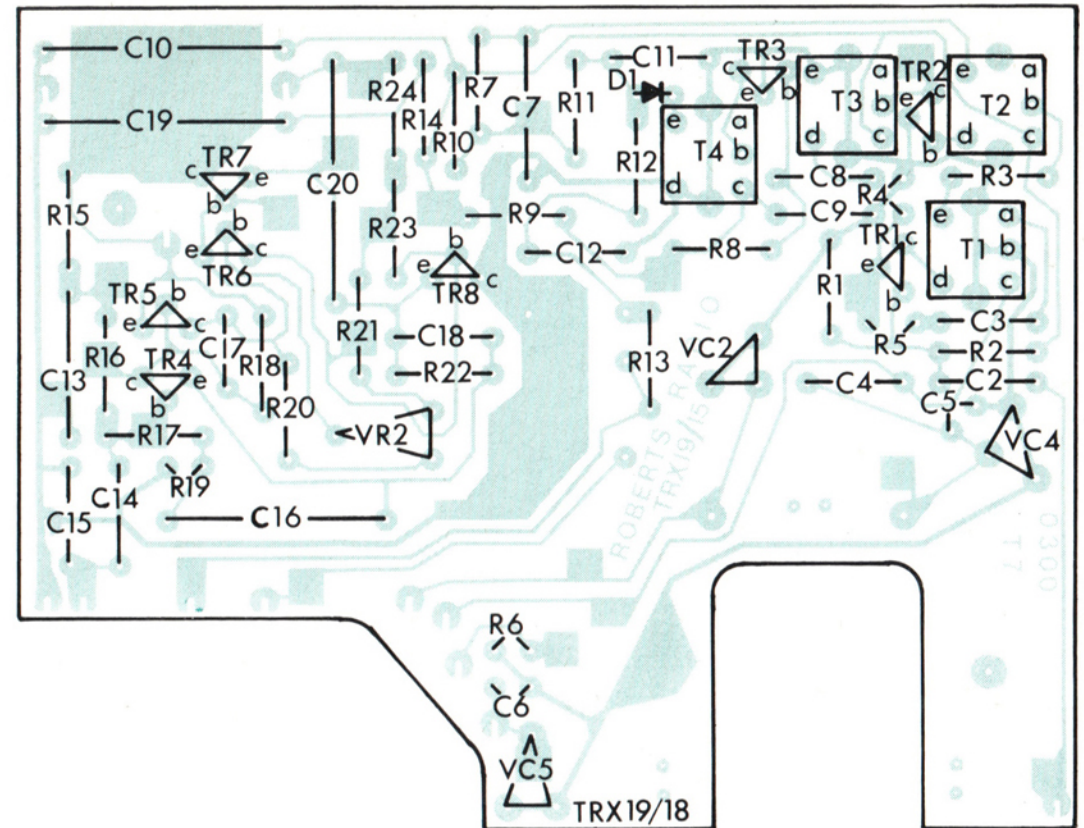


## ALIGNMENT

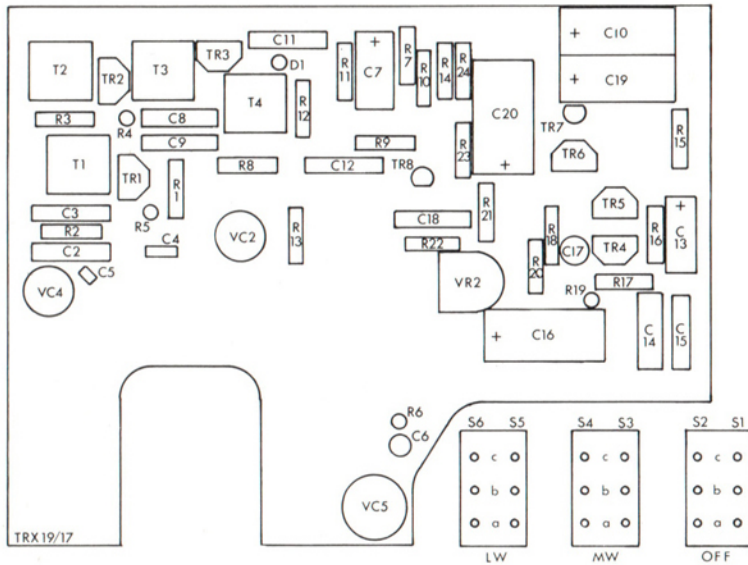
ENSURE:—9.0 V across C 19. Gang to max. Pointer coincides with datum marks at left-hand end of scale.

WAVE-BAND	POINTER	SWEEP/SIGNAL GENERATOR			INDICATOR	CONNECT	ADJUST	INDICATION	
		INJECT	FREQUENCY	MOD					
1	—	—	—	—	mA meter	In series with +ve supply line	VR2 fully anticlock	Read mA with VR2 in this position	
2	—	—	—	—	As 1	As 1	VR2	Position 1 reading + 1 mA	
3	MW	—	Across L1	470 kHz	25 kHz deviation	O'scope	Junction R13/VR1 & chassis	T2, T3 & T4	Max. O/P & symmetry
4	MW	200 m	Via coupling loop	1500 kHz	30% AM	AC Voltmeter	Across loudspeaker	VC4 & VC2	Max. O/P
5	MW	526 m	As 4	570 kHz	As 4	As 4	T1 & L1	Max. O/P	
6	LW	200 m	As 4	257 kHz	As 4	As 4	VC 5	Max. O/P	
7	LW	526 m	As 4	160 kHz	As 4	As 4	L3	Max. O/P	

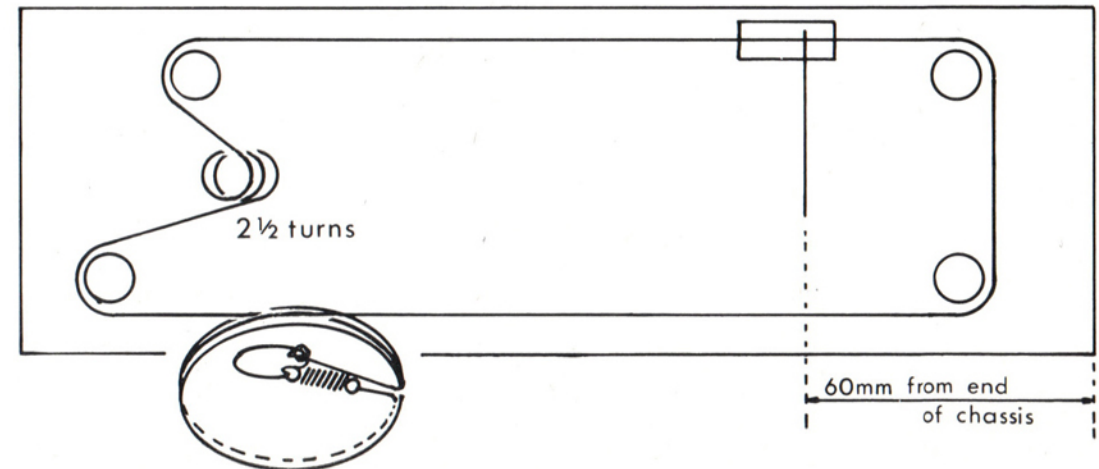
## BOARD LAYOUT—UNDERSIDE



## BOARD LAYOUT—TOPSIDE



## CORD DRIVE



In the interest of progress the company reserves the right to amend the specification without notice.