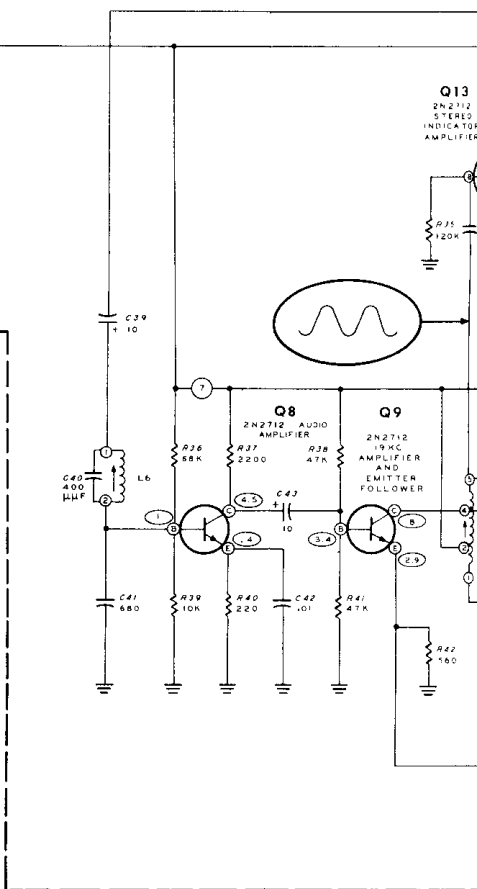
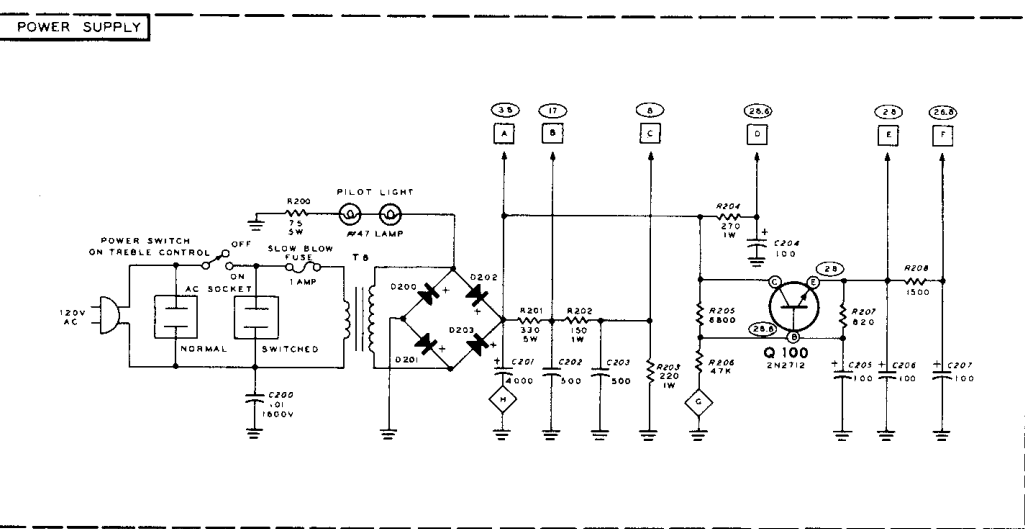
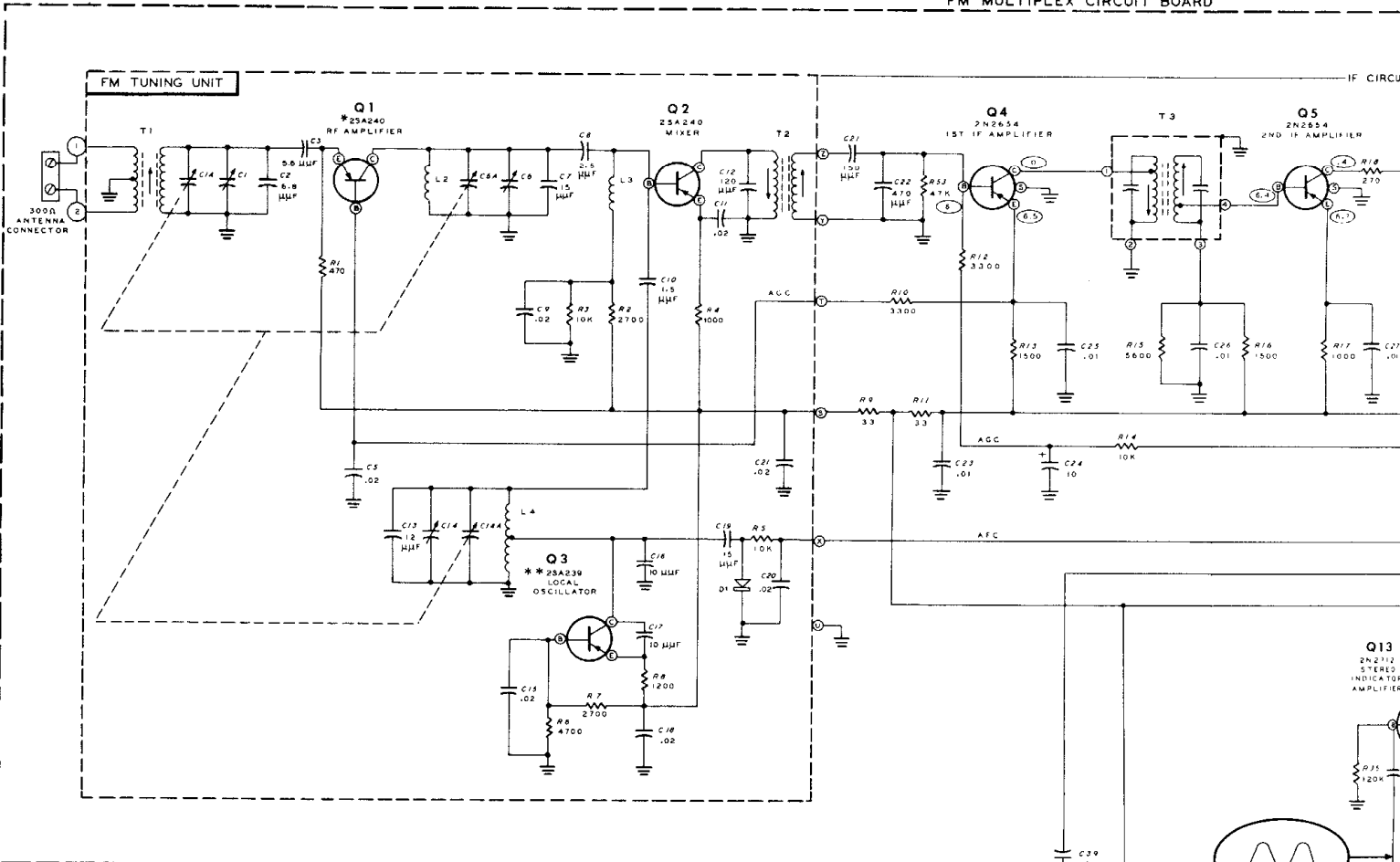
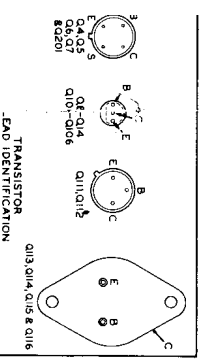
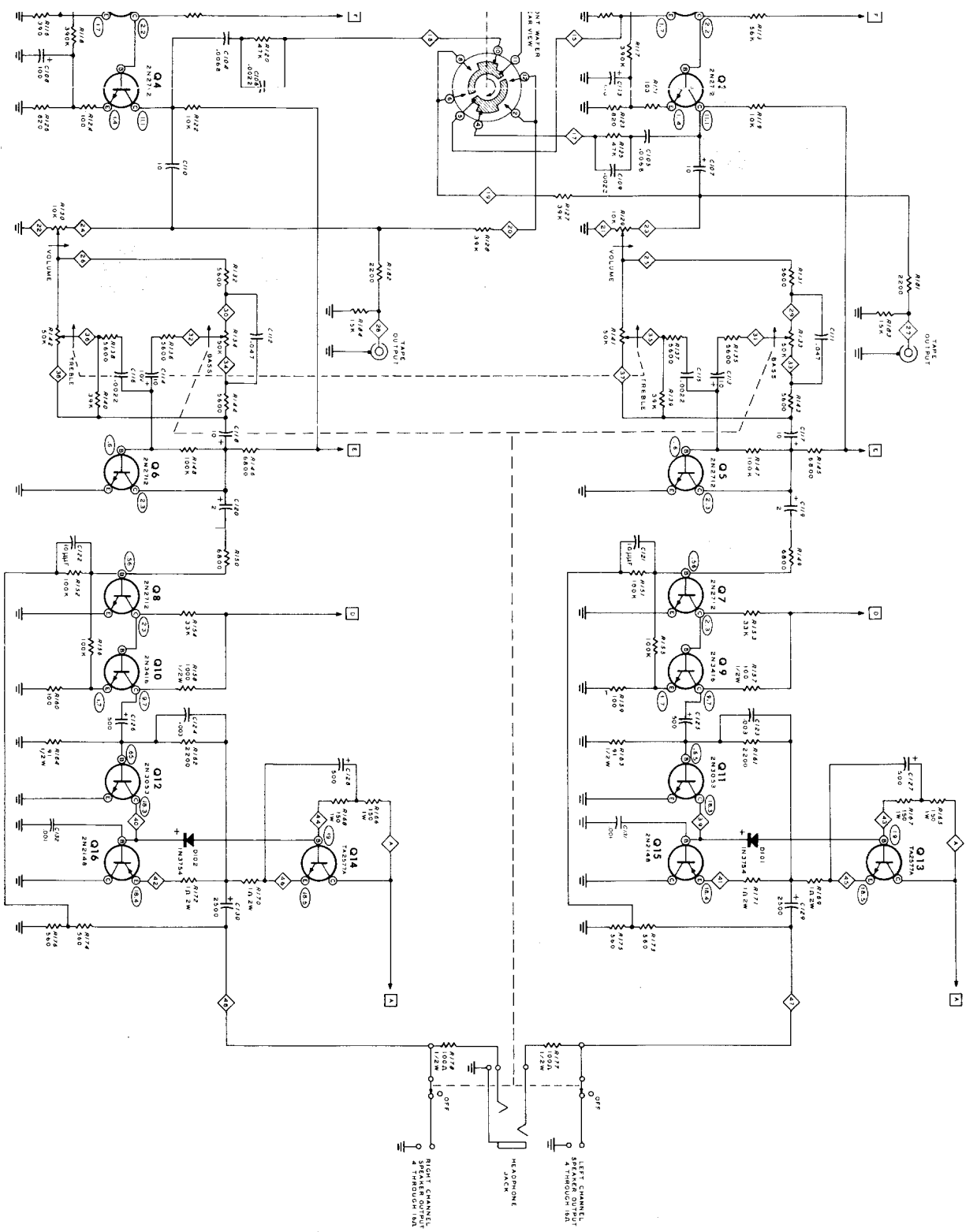


FM MULTIPLEX CIRCUIT BOARD





SCHEMATIC OF THE HEATHKIT® SOLID STATE FM RECEIVER MODEL AR-14

- NOTES:
1. RESISTOR AND CAPACITOR NUMBERS ARE IN THE FOLLOWING ORDERS:
 - a. 0 - 99 NUMBER IS IN THE PA TENS SECTION.
 - b. 100 - 999 NUMBER IS IN THE HUNDREDS SECTION.
 - c. 1000 - 9999 NUMBER IS IN THE THOUSANDS SECTION.
 - d. 10000 - 99999 NUMBER IS IN THE TENS OF THOUSANDS SECTION.
 - e. 100000 - 999999 NUMBER IS IN THE HUNDREDS OF THOUSANDS SECTION.
 - f. 1000000 - 9999999 NUMBER IS IN THE MILLIONS SECTION.
 - g. 10000000 - 99999999 NUMBER IS IN THE TENS OF MILLIONS SECTION.
 - h. 100000000 - 999999999 NUMBER IS IN THE HUNDREDS OF MILLIONS SECTION.
 - i. 1000000000 - 9999999999 NUMBER IS IN THE BILLIONS SECTION.
 2. ALL CAPACITOR VALUES ARE IN MICROFARADS UNLESS OTHERWISE SPECIFIED.
 3. ALL CAPACITOR VALUES ARE IN PICOFARADS UNLESS OTHERWISE SPECIFIED.
 4. THIS SYMBOL INDICATES A POSITIVE DC VOLTAGE MEASUREMENT TAKEN WITH A 100 OHM VOLTAGE DIVIDER FROM THE POINT INDICATED TO CHASSIS GROUND.
 5. THIS SYMBOL INDICATES A VOLTAGE POINT.
 6. THIS SYMBOL INDICATES A VOLTAGE POINT.
 7. ○ INDICATES CONNECTING POINTS ON PA TAPPER CIRCUIT BOARD.
 8. SOURCE EMTA SYMBOL IN FULL COUNTERCLOCKWISE POSITION AS VIEWED FROM THE FRONT.
 9. SOURCE EMTA SYMBOL IN PART COUNTERCLOCKWISE POSITION AS VIEWED FROM THE FRONT.
 10. INDICATES CW ROTATION.
 11. MEASUREMENTS MADE WITHOUT ANTENNA CONNECTED, SWITCHES AT STEREO POSITION AND THIS SYMBOL PARED IN.
 12. Q1 MAY BE A 2N3134 TRANSISTOR.
 13. Q1 MAY BE A 2N3134 TRANSISTOR.
 14. Q1 MAY BE A 2N3134 TRANSISTOR.
 15. Q1 MAY BE A 2N3134 TRANSISTOR.
 16. Q1 MAY BE A 2N3134 TRANSISTOR.
 17. Q1 MAY BE A 2N3134 TRANSISTOR.
 18. Q1 MAY BE A 2N3134 TRANSISTOR.
 19. Q1 MAY BE A 2N3134 TRANSISTOR.
 20. Q1 MAY BE A 2N3134 TRANSISTOR.
 21. Q1 MAY BE A 2N3134 TRANSISTOR.
 22. Q1 MAY BE A 2N3134 TRANSISTOR.
 23. Q1 MAY BE A 2N3134 TRANSISTOR.
 24. Q1 MAY BE A 2N3134 TRANSISTOR.
 25. Q1 MAY BE A 2N3134 TRANSISTOR.
 26. Q1 MAY BE A 2N3134 TRANSISTOR.
 27. Q1 MAY BE A 2N3134 TRANSISTOR.
 28. Q1 MAY BE A 2N3134 TRANSISTOR.
 29. Q1 MAY BE A 2N3134 TRANSISTOR.
 30. Q1 MAY BE A 2N3134 TRANSISTOR.
 31. Q1 MAY BE A 2N3134 TRANSISTOR.
 32. Q1 MAY BE A 2N3134 TRANSISTOR.
 33. Q1 MAY BE A 2N3134 TRANSISTOR.
 34. Q1 MAY BE A 2N3134 TRANSISTOR.
 35. Q1 MAY BE A 2N3134 TRANSISTOR.
 36. Q1 MAY BE A 2N3134 TRANSISTOR.
 37. Q1 MAY BE A 2N3134 TRANSISTOR.
 38. Q1 MAY BE A 2N3134 TRANSISTOR.
 39. Q1 MAY BE A 2N3134 TRANSISTOR.
 40. Q1 MAY BE A 2N3134 TRANSISTOR.
 41. Q1 MAY BE A 2N3134 TRANSISTOR.
 42. Q1 MAY BE A 2N3134 TRANSISTOR.
 43. Q1 MAY BE A 2N3134 TRANSISTOR.
 44. Q1 MAY BE A 2N3134 TRANSISTOR.
 45. Q1 MAY BE A 2N3134 TRANSISTOR.
 46. Q1 MAY BE A 2N3134 TRANSISTOR.
 47. Q1 MAY BE A 2N3134 TRANSISTOR.
 48. Q1 MAY BE A 2N3134 TRANSISTOR.
 49. Q1 MAY BE A 2N3134 TRANSISTOR.
 50. Q1 MAY BE A 2N3134 TRANSISTOR.
 51. Q1 MAY BE A 2N3134 TRANSISTOR.
 52. Q1 MAY BE A 2N3134 TRANSISTOR.
 53. Q1 MAY BE A 2N3134 TRANSISTOR.
 54. Q1 MAY BE A 2N3134 TRANSISTOR.
 55. Q1 MAY BE A 2N3134 TRANSISTOR.
 56. Q1 MAY BE A 2N3134 TRANSISTOR.
 57. Q1 MAY BE A 2N3134 TRANSISTOR.
 58. Q1 MAY BE A 2N3134 TRANSISTOR.
 59. Q1 MAY BE A 2N3134 TRANSISTOR.
 60. Q1 MAY BE A 2N3134 TRANSISTOR.
 61. Q1 MAY BE A 2N3134 TRANSISTOR.
 62. Q1 MAY BE A 2N3134 TRANSISTOR.
 63. Q1 MAY BE A 2N3134 TRANSISTOR.
 64. Q1 MAY BE A 2N3134 TRANSISTOR.
 65. Q1 MAY BE A 2N3134 TRANSISTOR.
 66. Q1 MAY BE A 2N3134 TRANSISTOR.
 67. Q1 MAY BE A 2N3134 TRANSISTOR.
 68. Q1 MAY BE A 2N3134 TRANSISTOR.
 69. Q1 MAY BE A 2N3134 TRANSISTOR.
 70. Q1 MAY BE A 2N3134 TRANSISTOR.
 71. Q1 MAY BE A 2N3134 TRANSISTOR.
 72. Q1 MAY BE A 2N3134 TRANSISTOR.
 73. Q1 MAY BE A 2N3134 TRANSISTOR.
 74. Q1 MAY BE A 2N3134 TRANSISTOR.
 75. Q1 MAY BE A 2N3134 TRANSISTOR.
 76. Q1 MAY BE A 2N3134 TRANSISTOR.
 77. Q1 MAY BE A 2N3134 TRANSISTOR.
 78. Q1 MAY BE A 2N3134 TRANSISTOR.
 79. Q1 MAY BE A 2N3134 TRANSISTOR.
 80. Q1 MAY BE A 2N3134 TRANSISTOR.
 81. Q1 MAY BE A 2N3134 TRANSISTOR.
 82. Q1 MAY BE A 2N3134 TRANSISTOR.
 83. Q1 MAY BE A 2N3134 TRANSISTOR.
 84. Q1 MAY BE A 2N3134 TRANSISTOR.
 85. Q1 MAY BE A 2N3134 TRANSISTOR.
 86. Q1 MAY BE A 2N3134 TRANSISTOR.
 87. Q1 MAY BE A 2N3134 TRANSISTOR.
 88. Q1 MAY BE A 2N3134 TRANSISTOR.
 89. Q1 MAY BE A 2N3134 TRANSISTOR.
 90. Q1 MAY BE A 2N3134 TRANSISTOR.
 91. Q1 MAY BE A 2N3134 TRANSISTOR.
 92. Q1 MAY BE A 2N3134 TRANSISTOR.
 93. Q1 MAY BE A 2N3134 TRANSISTOR.
 94. Q1 MAY BE A 2N3134 TRANSISTOR.
 95. Q1 MAY BE A 2N3134 TRANSISTOR.
 96. Q1 MAY BE A 2N3134 TRANSISTOR.
 97. Q1 MAY BE A 2N3134 TRANSISTOR.
 98. Q1 MAY BE A 2N3134 TRANSISTOR.
 99. Q1 MAY BE A 2N3134 TRANSISTOR.
 100. Q1 MAY BE A 2N3134 TRANSISTOR.