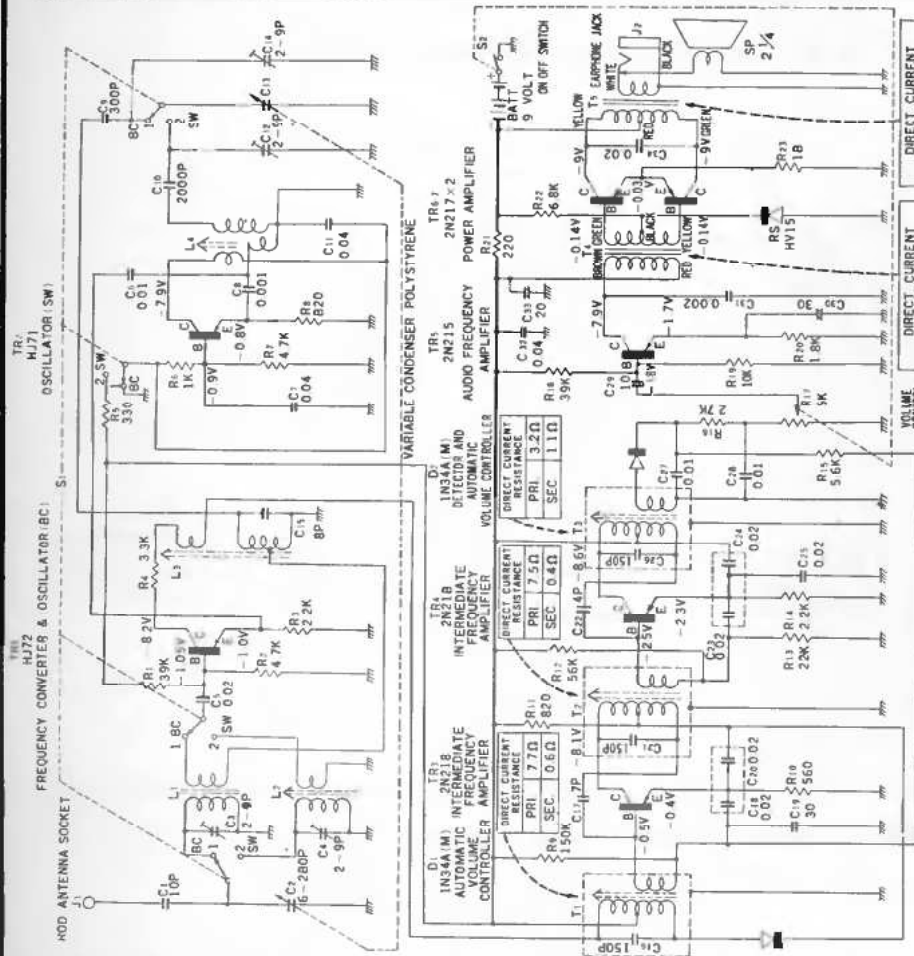


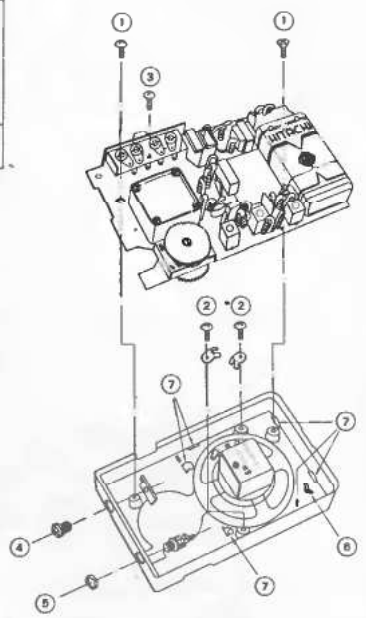
**Hitachi, Ltd.**  
**MODEL WH-761**



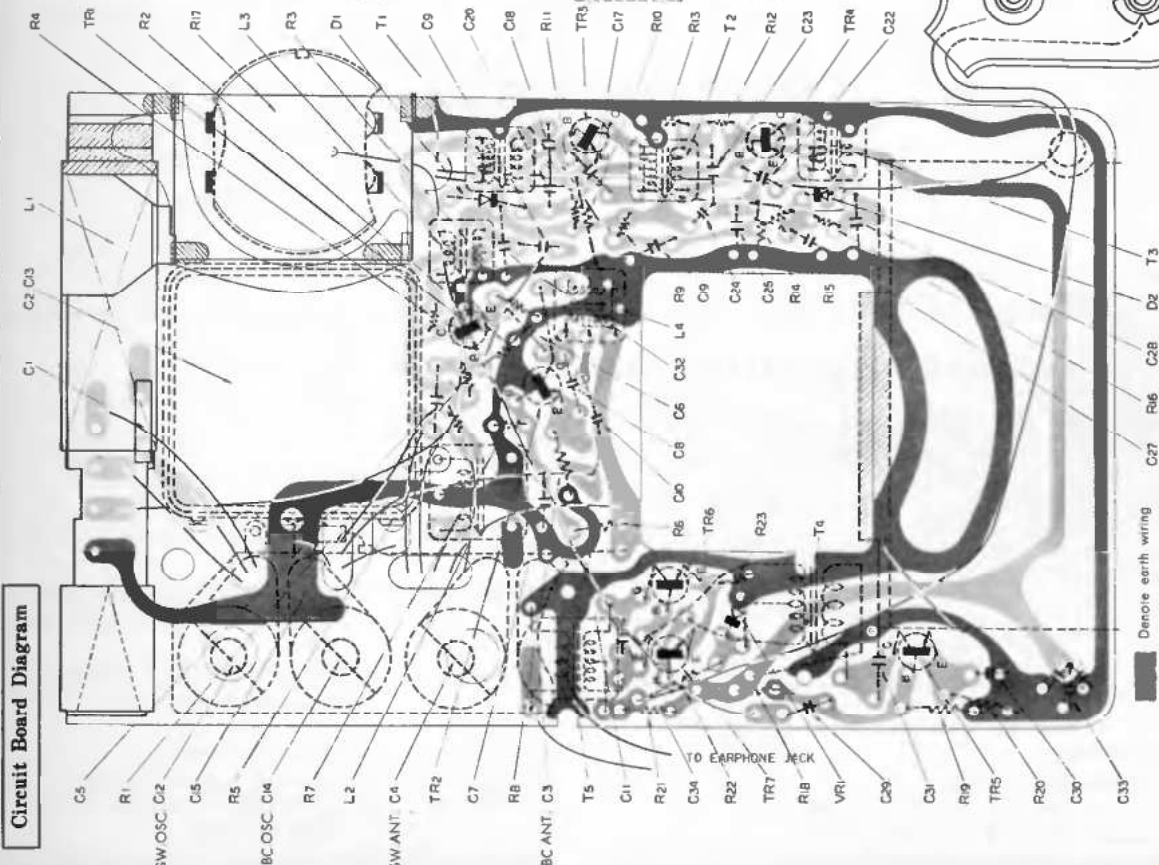
DIRECT CURRENT RESISTANCE	
PRI	RED - BROWN 1.0KΩ
SEC	YELLOW - RED 30Ω
PRI	GREEN - RED 300Ω
SEC	YELLOW - BLACK 360Ω
PRI	RED - BLACK 1.0KΩ
SEC	WHITE - BLACK 1.0Ω

DIRECT CURRENT RESISTANCE	
PRI	RED - BROWN 1.0KΩ
SEC	YELLOW - RED 30Ω
PRI	GREEN - RED 300Ω
SEC	YELLOW - BLACK 360Ω
PRI	RED - BLACK 1.0KΩ
SEC	WHITE - BLACK 1.0Ω

INTERMEDIATE FREQUENCY.....455 kc



Receiver Assembly  
BATTERY CONNECTOR



Circuit Board Diagram

**Hitachi, Ltd.**  
**MODEL WH-761**