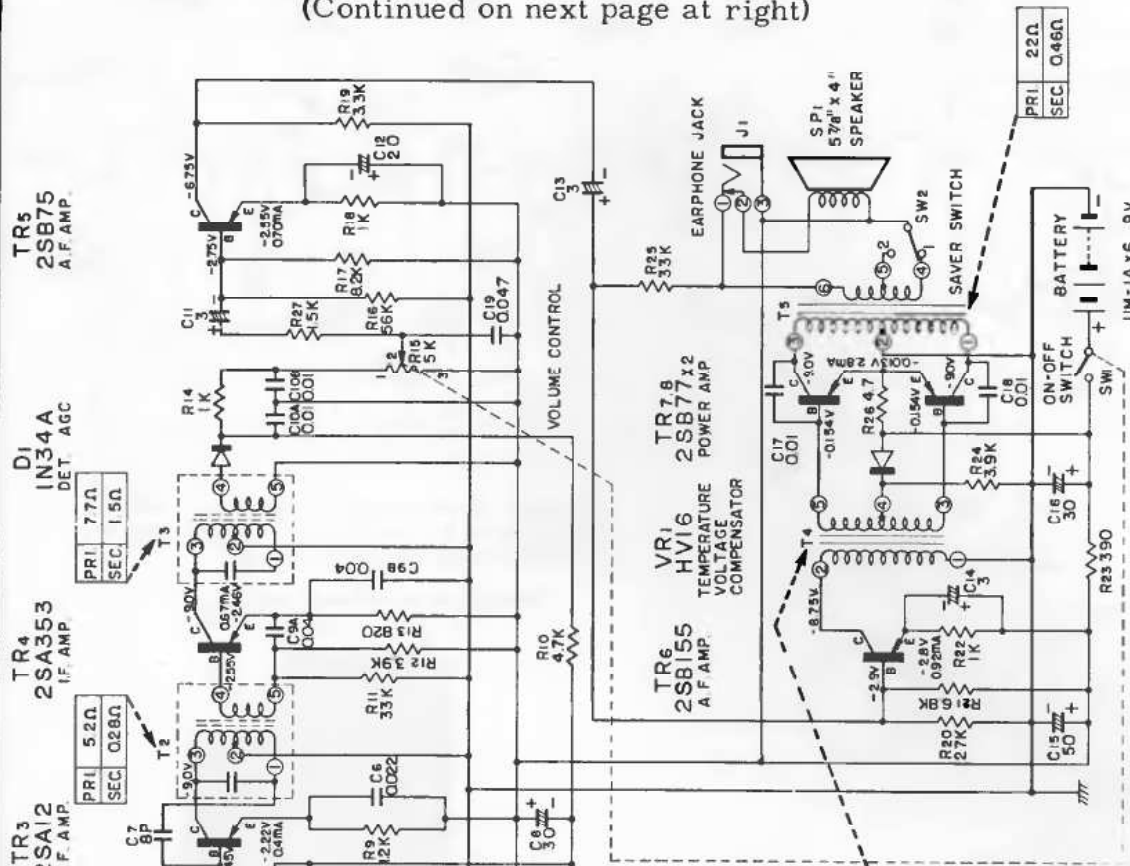


Hitachi, Ltd.

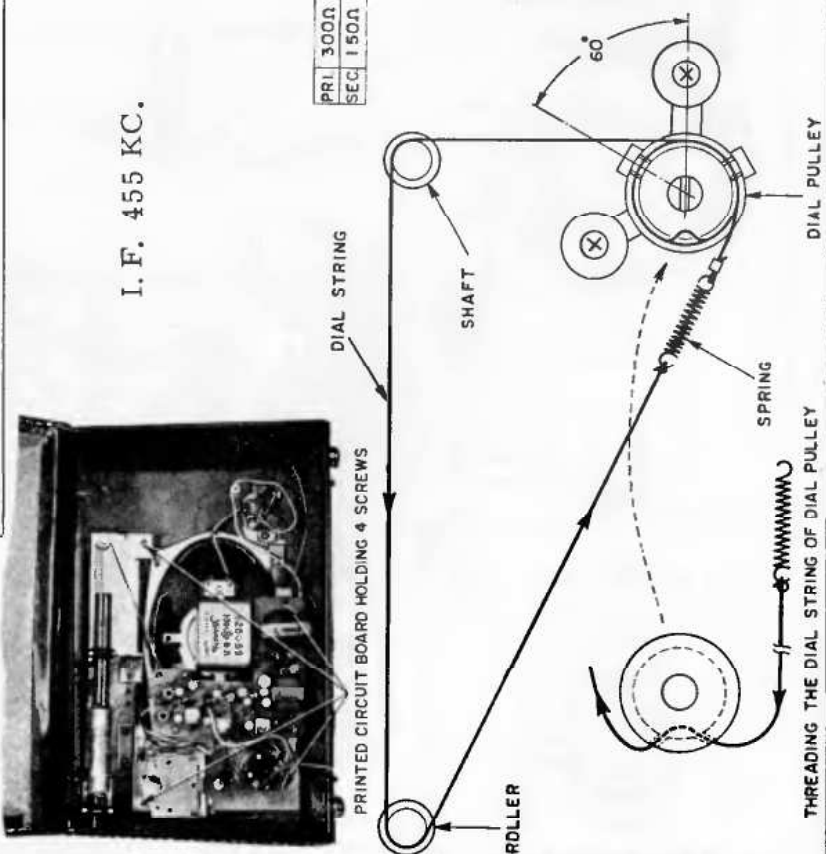
MODEL TH-812

(Continued on next page at right)



CIRCUIT DIAGRAM (TH-812)

- NOTES:
1. Voltage and current values are those of no signal time.
 2. Resistance unit is Ω ; unit of capacity is either μF or F.



I. F. 455 KC.

