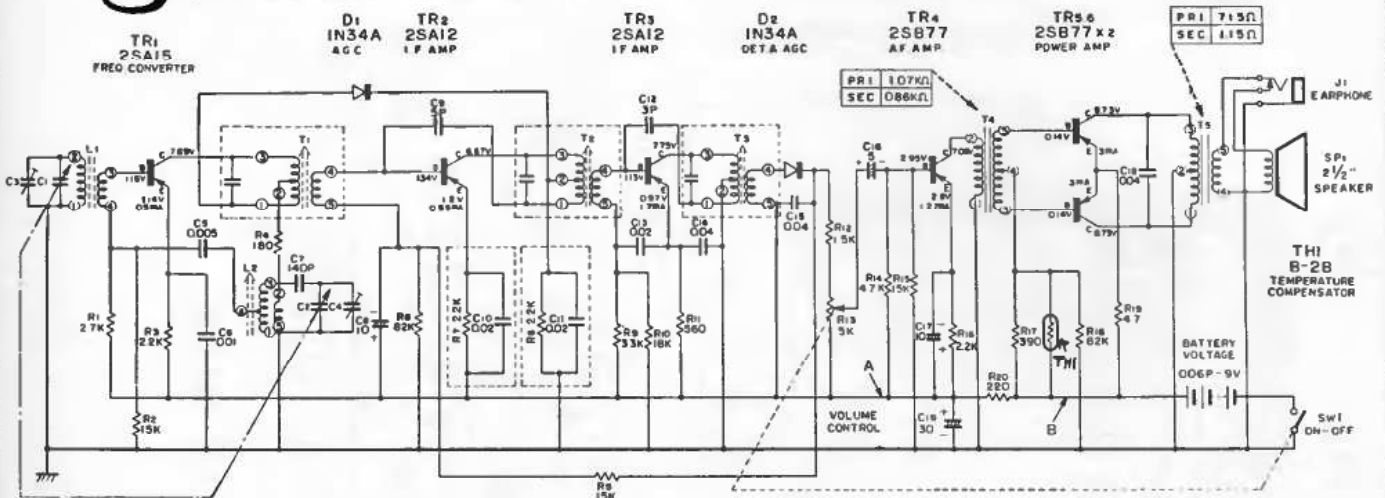


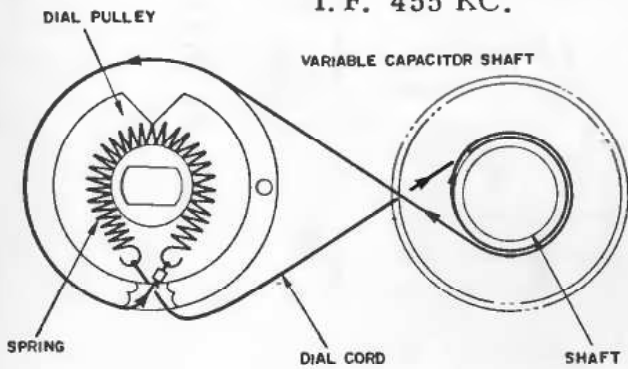
Hitachi, Ltd.

MODEL TH-600



I. F. 455 KC.

The printed circuit board may be removed after removing the back cover and two mounting screws of the printed circuit board shown in Fig.



PRINTED CIRCUIT BOARD HOLDING SCREWS

