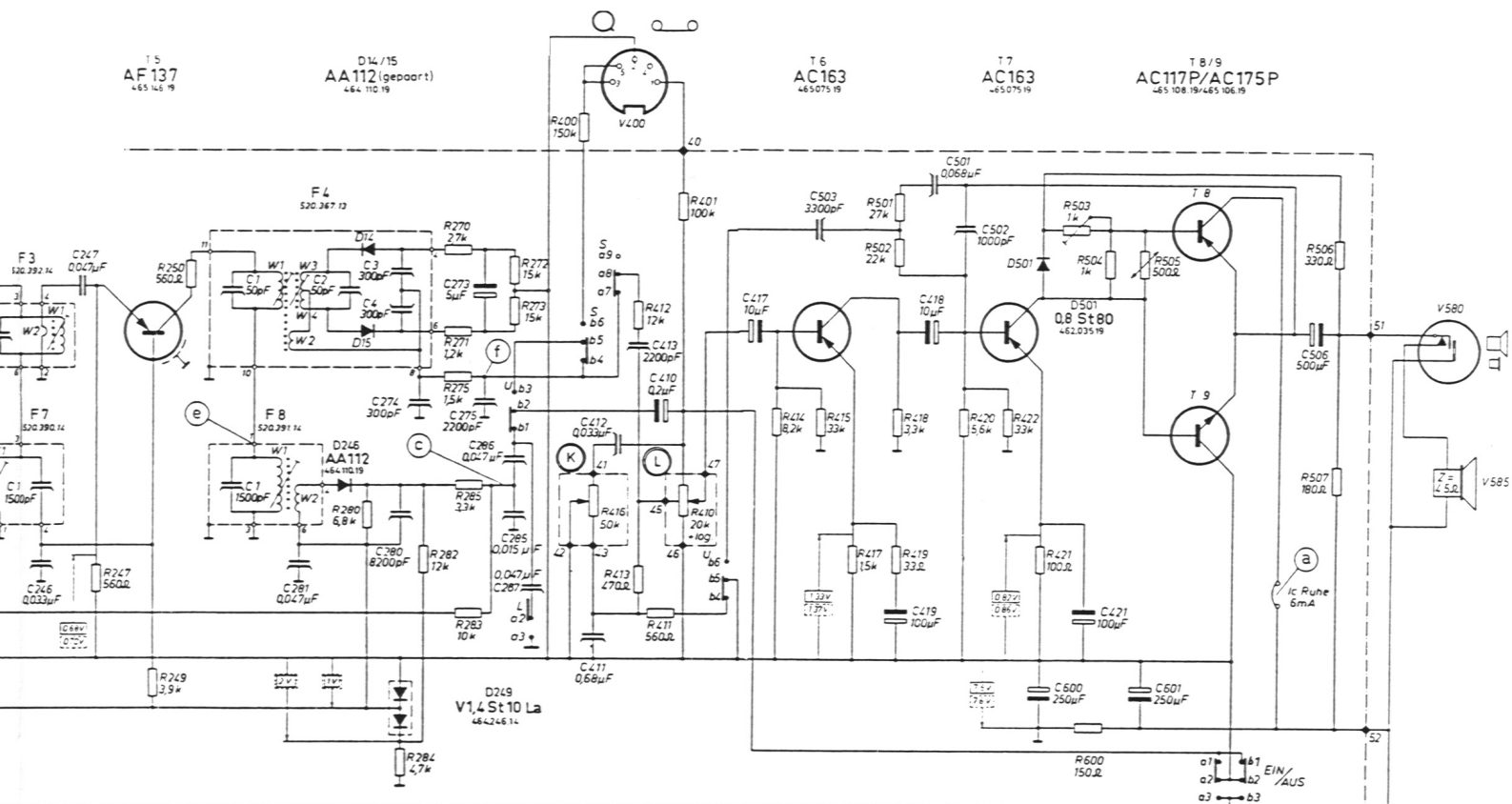


Flamingo de Luxe

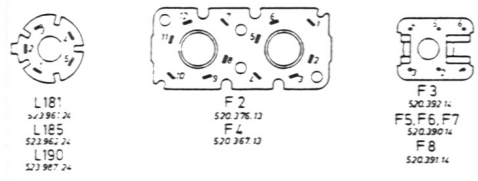


Transistor-Anschlüsse TRANSISTOR-CONNECTIONS

AF 106, AF 135, AF 137



IF- und Bandfilter-Anschlüsse (Lötseite) IF- and BAND FILTER CONNECTIONS (soldered side)

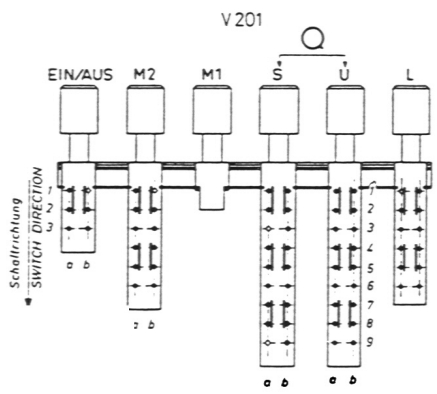


- (A) Abstimmung TUNING
- (L) Lautstärke VOLUME CONTROL
- (K) Klangwooge SOUND BALANCING
- (L2) Leiterplatten-Anschlußpunkte PRINTED CIRCUIT BOARD CONNECTIONS

Austauschtypen für Transistoren und Dioden REPLACEMENT TRANSISTORS AND DIODES

| Original | Replacement | Notes | Part No. |
|----------|-------------------|---------------------|------------|
| T 6, 7 | AC 163 | = AC 122 weiß | 465 165.19 |
| | | = AC 126 | 465 073.19 |
| | | = AC 151 VII | 465 115.19 |
| | | = AC 171 | 465 163.19 |
| | | = AC 173 VII | 465 132.19 |
| T 8/9 | AC 117 P/AC 175 P | = AC 187 K/AC 188 K | 465 266.15 |
| D 41 | | = NM | 464 106.15 |
| D 14/15 | AA 112 gepaart | = AA 116 gepaart | 464 113.19 |
| D 246 | AA 112 | = AA 116 | 464 113.19 |
| | | = OA 90 | 464 100.19 |
| D 249 | V 1,4 St 10 La | = 2+2 Tabl. | 464 246.14 |
| D 501 | 0,8 St 80 | = SiG 0,5/50 R | 462 034.19 |

| Part No. | Value |
|----------|------------|
| L181 | 520 390.14 |
| L185 | 520 390.14 |
| L190 | 520 391.14 |



Tastensatz in Ruhestellung (Schaltteilseite)
BAND SWITCH IN REST-POSITION (component side)

bis 0,125W
up to 0,125W
Belastbarkeit bei 70°C angegeben
RATING AT 70°C

Club Flamingo

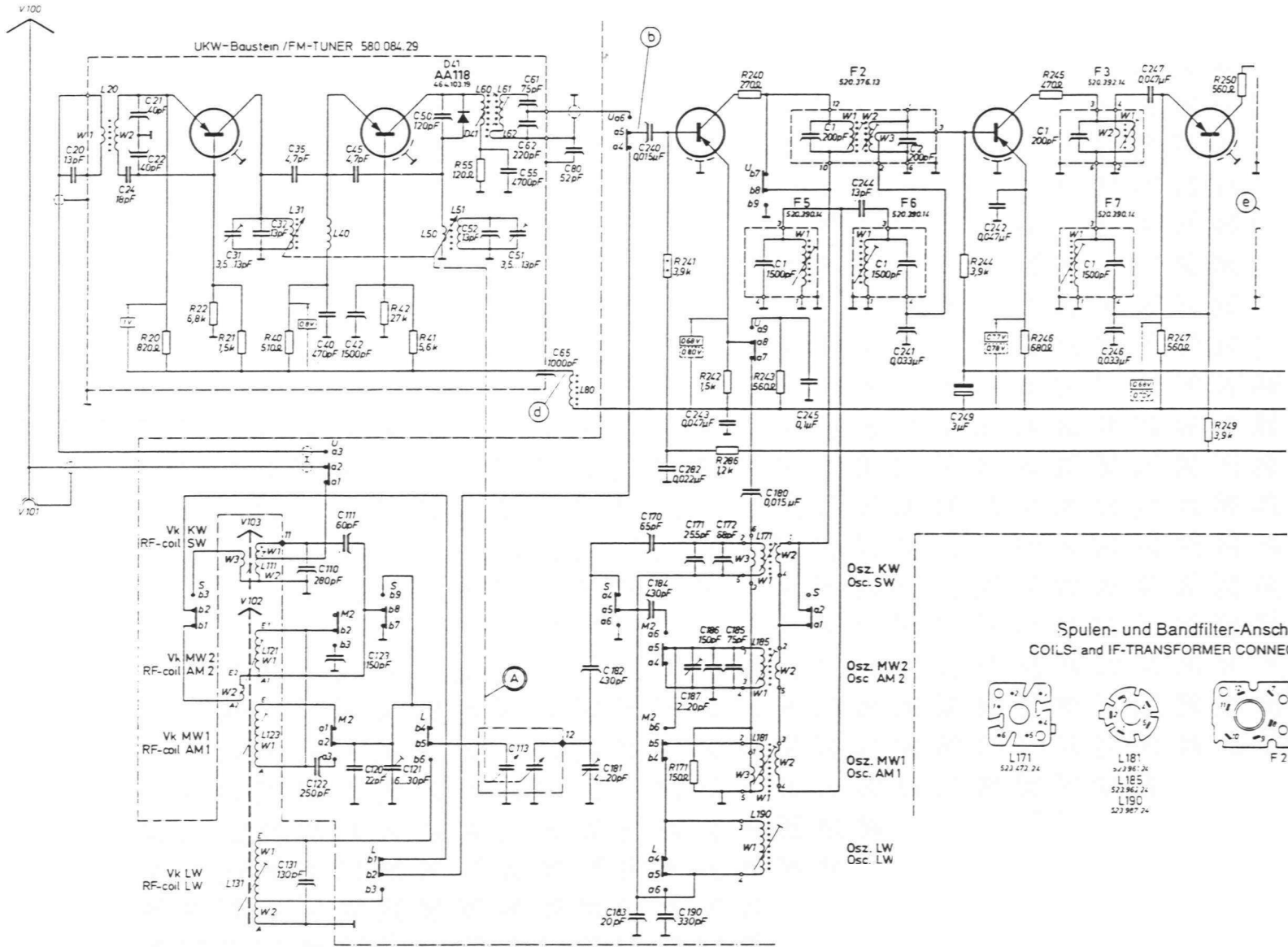
T25
AF 106
465.022.19

T45
AF 135
465.093.19

T3
AF 126
465.049.19

T4
AF 126
465.049.19

T5
AF 137
465.144.19



| | |
|---------------------------------|---------------------------------|
| UKW-Variometer FM-VARIOMETER | AM-Drehko VARIABLE CAPACITOR |
| 31:50/S1: 523.262.13 | C113 446.058.13 |

| Trimmer / TRIMMING CAPACITORS | | | | | |
|-------------------------------|------------|------------|------------|------------|------------|
| C | 31 | 51 | 121 | 181 | 187 |
| | 15 13pF | 15 30pF | 6 30pF | 4 30pF | 2 30pF |
| | M47.055.15 | M47.055.15 | M47.071.15 | M47.059.15 | M47.100.15 |

| Regler / CONTROLLER | | | | |
|---------------------|------------|------------|------------|------------|
| R | 410 | 416 | 503 | 505 |
| | 20k | 50k | 1k | 500k |
| | M02.896.14 | M02.803.14 | M02.028.14 | M04.020.15 |

| Bandfilter / IF-TRANSFORMER | | | | | | | |
|-----------------------------|------------|------------|------------|------------|------------|------------|------------|
| | 2 | 3 | 4 | 5 | 6 | 7 | 8 |
| | 520.376.13 | 520.392.14 | 520.367.13 | 520.390.14 | 520.390.14 | 520.390.14 | 520.391.14 |

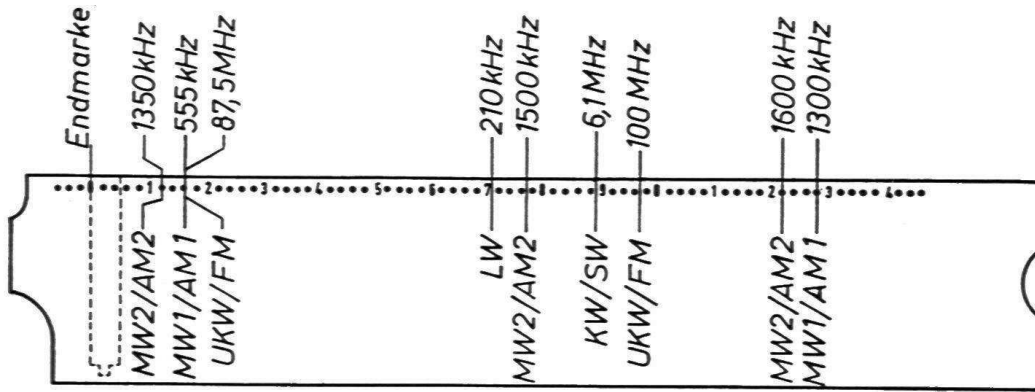
| L | 20 | 40 | 60 | 61 | 80 | 111 | 121 | 123 | 131 | 171 | 181 | 185 | 190 |
|---|------------|------------|------------|------------|------------|------------|------------|------------|------------|------------|------------|------------|------------|
| | 423.134.25 | 420.117.25 | 424.222.25 | 423.398.25 | 423.590.15 | 424.326.24 | 424.402.24 | 424.401.24 | 424.491.24 | 523.473.24 | 523.961.24 | 523.962.24 | 523.987.24 |

| V | 100 | 101 | 102 | 103 | 201 | 400 | 580 | 585 | 604 |
|---|-----------------------------------|---|---------------------------|---------------------------|---------------------------|----------------------------|---------------------------------|------------------------|-----------------------------|
| | Teleskopantenne TELESCOPE ANT. | Auto-Steuerungsbuchse CAR ANTENNA JACK | Ferritstab FERRITE ROD | Ferritstab FERRITE ROD | Senkdrücke PUSH BUTTON | TA-TP-Buchse PL-TP-JACK | Lausprechbuchse SPEAKER JACK | Lausprecher SPEAKER | Schaltbuchse SWITCH JACK |
| | 475 477.14 | 174.330.14 | 466.236.15 | 466.251.15 | 472.814.13 | 174.376.14 | 174.330.14 | 470.164.13 | 174.278.14 |

Angegebene Spannungen bei [UKW] bei [AM] gemessen mit Instrument 50.000Ω/V im 3V- bzw. 10V-Bereich gegen Pluspotential. Batteriespannung dabei 9V.
 STATED VOLTAGES MEASURED AT [FM] RESP. [AM] WITH INSTRUMENT 50.000Ω/V WITHIN THE 3V-OR 10V-RANGE NO INPUT SIGNAL APPLIED REFERENCE POINT B+. SUPPLY VOLTAGES 9V.

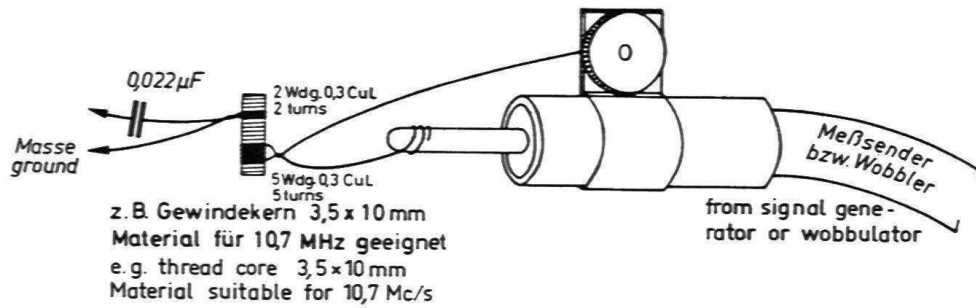
Reflektor mit Eichmarken

Reflector with gauge marks



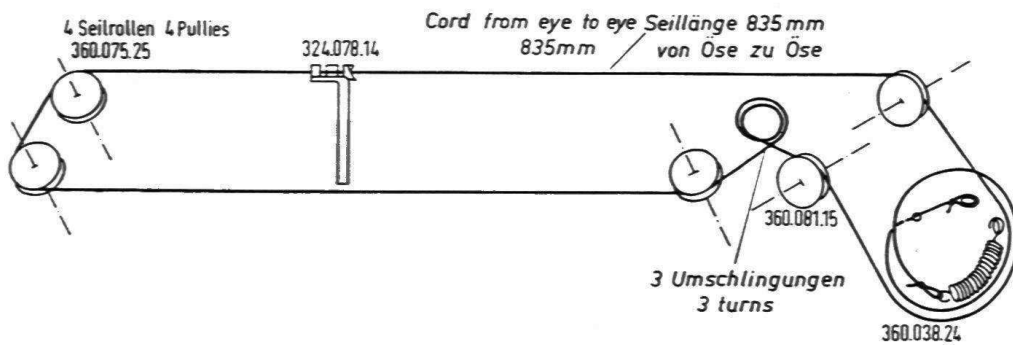
Symmetriertrafo für FM-ZF-Abgleich

Bazooka for FM-IF-Alignment



Seilführung für AM

Cord drive for AM



Seilführung für UKW-Baustein

Cord drive for FM-Tuner

Ansicht „A“
View „A“



Bei herausgedrehtem AM-Drehkondensator UKW-Variometer mittels Seilrolle auf Anschlag einstellen.
Tuning condenser full outward. Turn pulley clockwise until cord is straightened.

