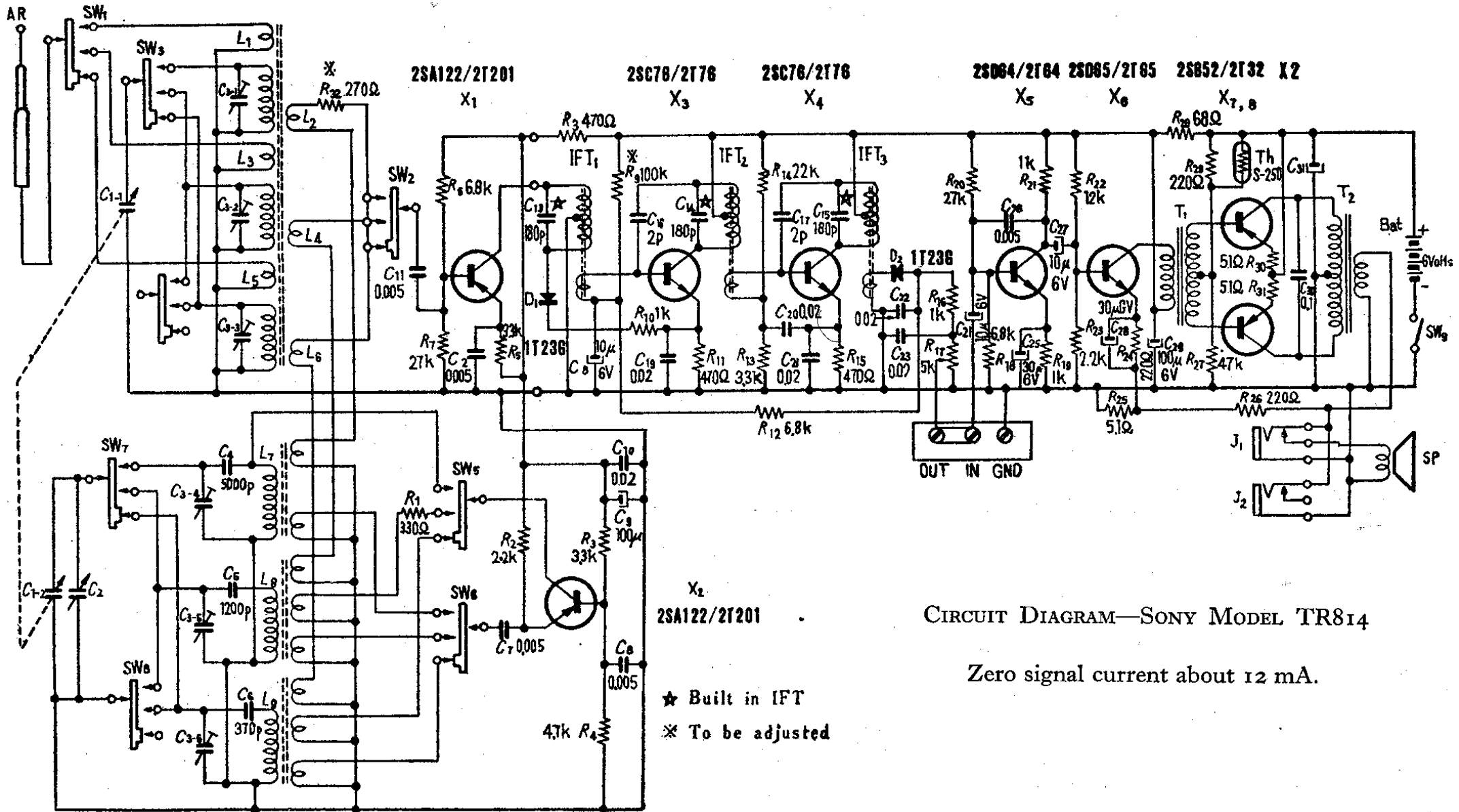


Model TR814: Eight-transistor, three-waveband (M.W. 535-1605 kc/s.; S.W.1 2-6 Mc/s.; S.W.2 6-18 Mc/s.), portable receiver using four 1.5-volt cells (6 volts). Ferrite-rod and telescopic aerials. A mixture of *n-p-n* and *p-n-p* transistors is used. (X₁, X₂) 2SA122/2T201 *p-n-p*; (X₃,

X₄) 2SC76/2T76 (*n-p-n*); (X₅) 2SD64/2T64 (*n-p-n*); (X₆) 2SD65/2T65 (*n-p-n*); (X₇, X₈) 2SB52/2T32 (*p-n-p*). Diodes (D₁) 1T23G; (D₂) 1T23G. Transistor collector currents: X₁ 230-310 μ A.; X₂ 800-900 μ A. (M.W.); X₃ 300-410 μ A.; X₄ 750-950 μ A.; X₅ 900-1000 μ A.; X₆ 2.7-3.3 mA.; X₇, X₈ 1.4-1.9 mA.



CIRCUIT DIAGRAM—SONY MODEL TR814

Zero signal current about 12 mA.