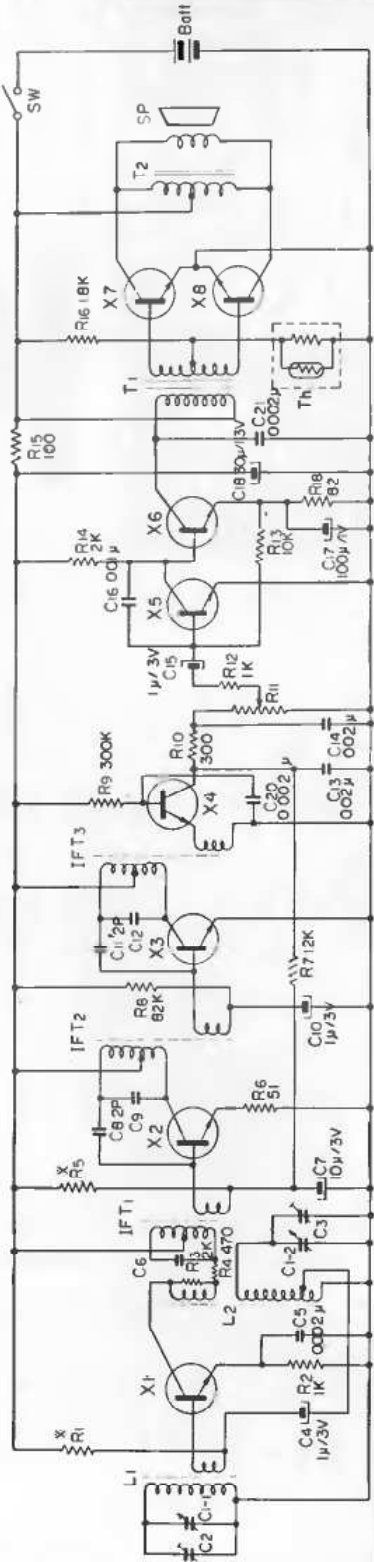
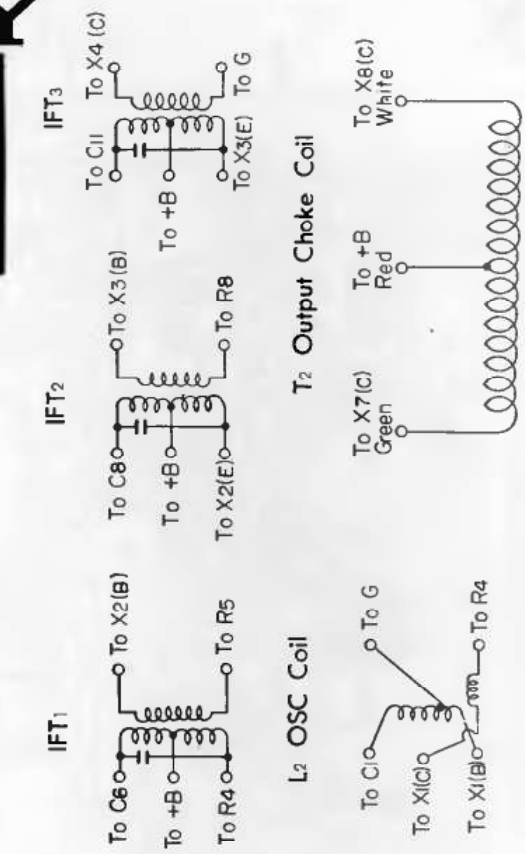


# SONY TR-8



**Schematic Diagram**

X To be adjusted

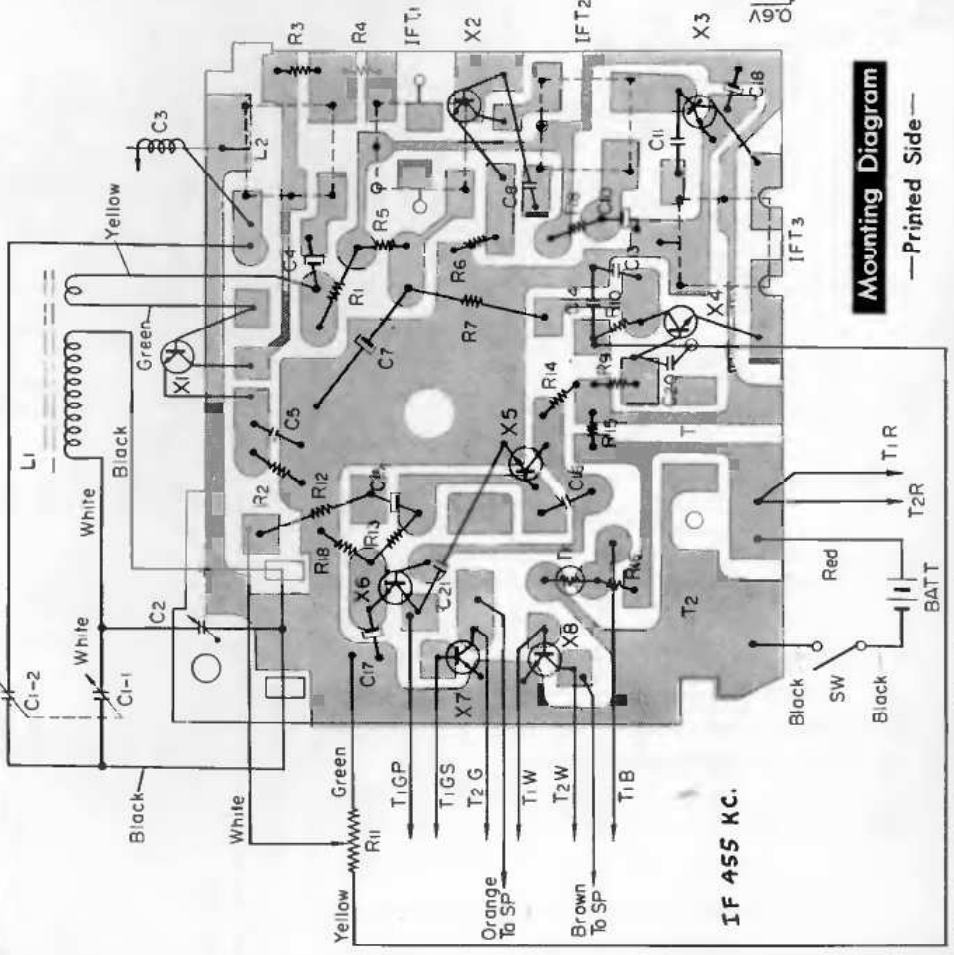


**IFT1**

**IFT2**

**IFT3**

**T<sub>2</sub> Output Choke Coil**



**MOUNTING DIAGRAM**  
—Printed Side—

IF 455 KC.

**Voltage and Current Distribution Chart at Zero Signal**

