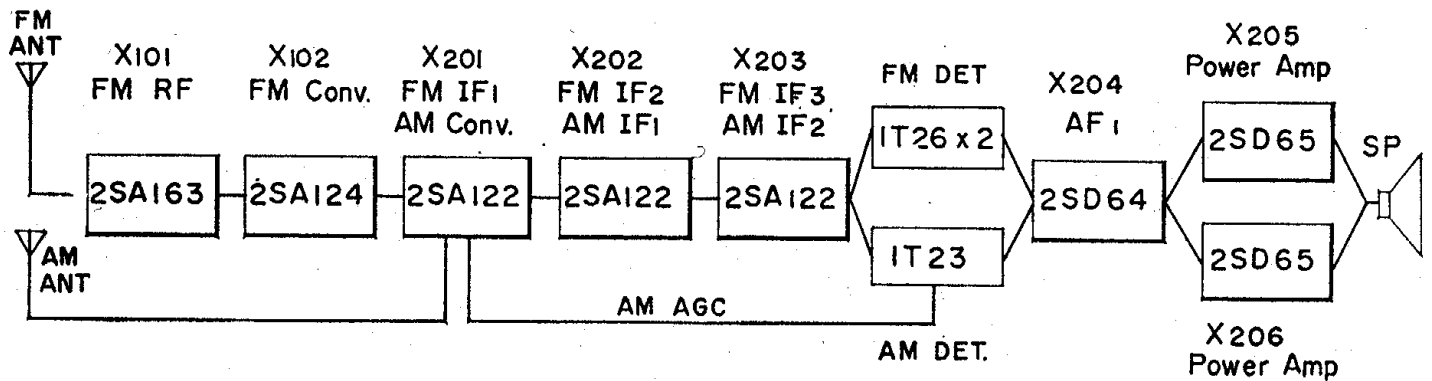


General Description: Eight-transistor (plus four diodes) portable receiver with telescopic aerial. Battery, 9 volts. Speaker, elliptical, 8 ohms.

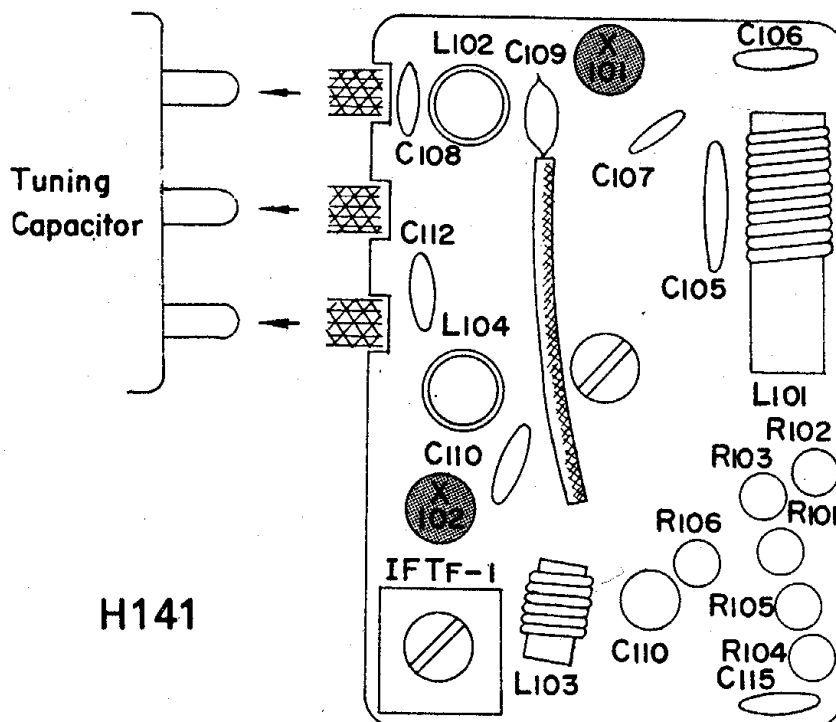
Wavebands: M.W. 530-1605 kc/s. L.W. 150-255 kc/s. V.H.F. 86.5-108 Mc/s.

Alignment: A.M./I.F. 455 kc/s. (I.F.T.s). M.W. 520 kc/s. (L202); 1680 kc/s. (C204). L.W. 145 kc/s. (L.W. osc. Trimmer). M.W. 620 kc/s. (L201); 1400 kc/s. (C202). L.W. 170 kc/s. (L204). F.M./I.F. 10.7 Mc/s. (I.F.T.s). F.M./R.F. Unsolder white lead at telescopic aerial terminal. Inject signal via resistor of approx. 400 ohms to telescopic aerial lead. 85.5 Mc/s. (A.M.). Adjust L104. 109.5 Mc/s. (A.M.). Adjust C104. 85.5 Mc/s. (F.M.). Adjust L102 for maximum 109.5 Mc/s. (F.M.). Adjust C102 for maximum.



H138

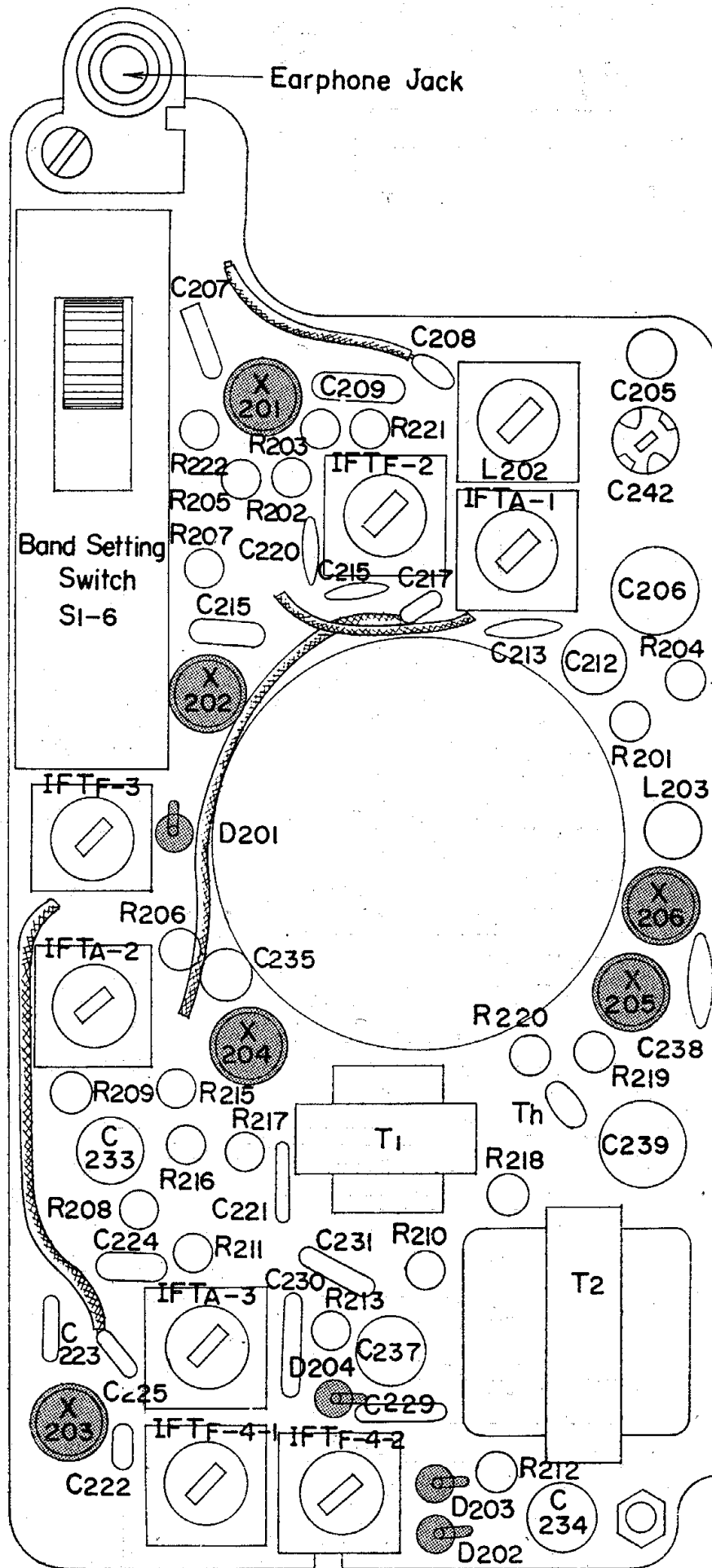
BLOCK DIAGRAM—TFM-825L



H141

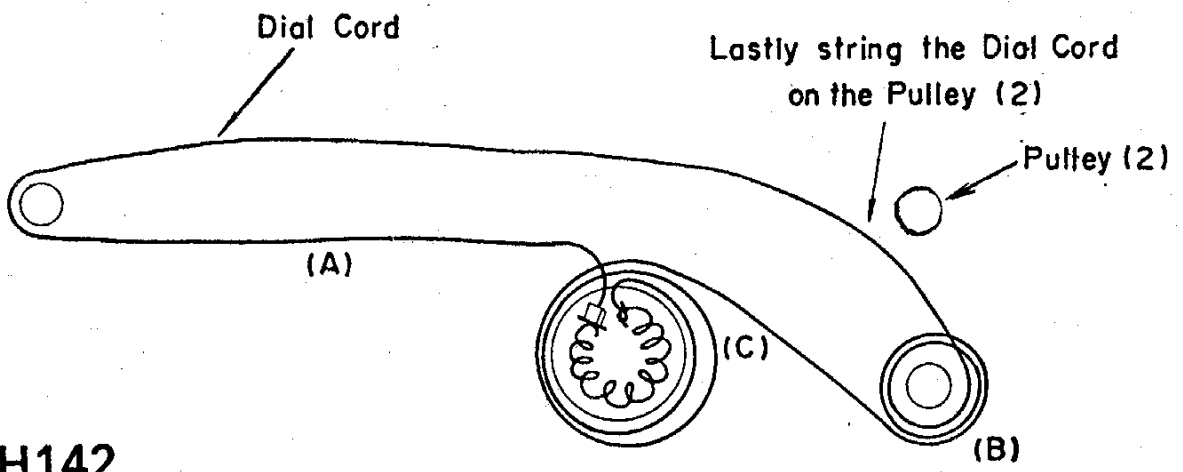
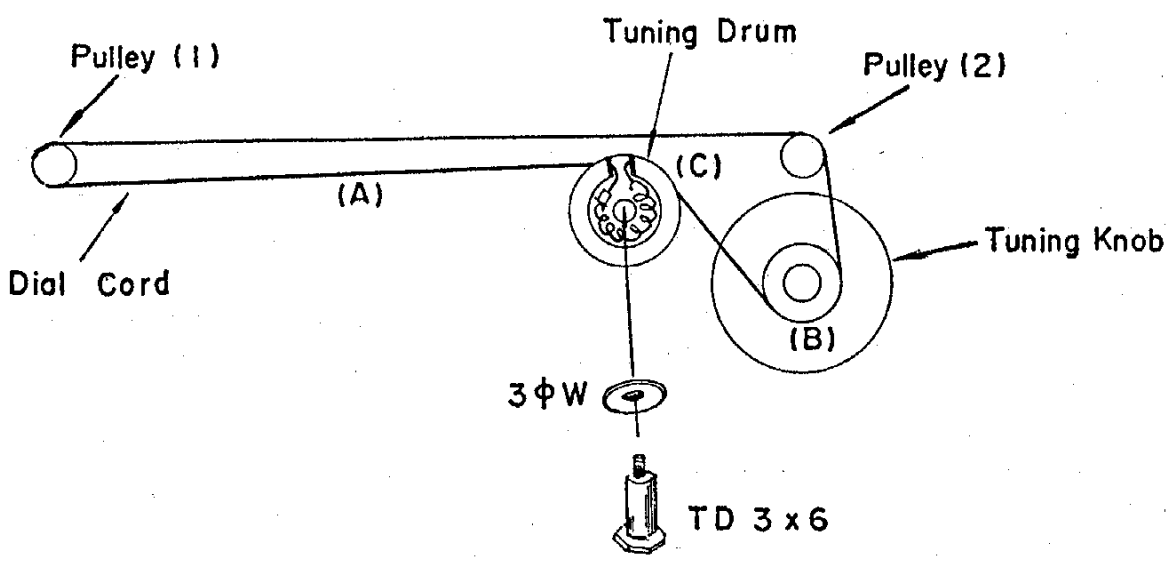
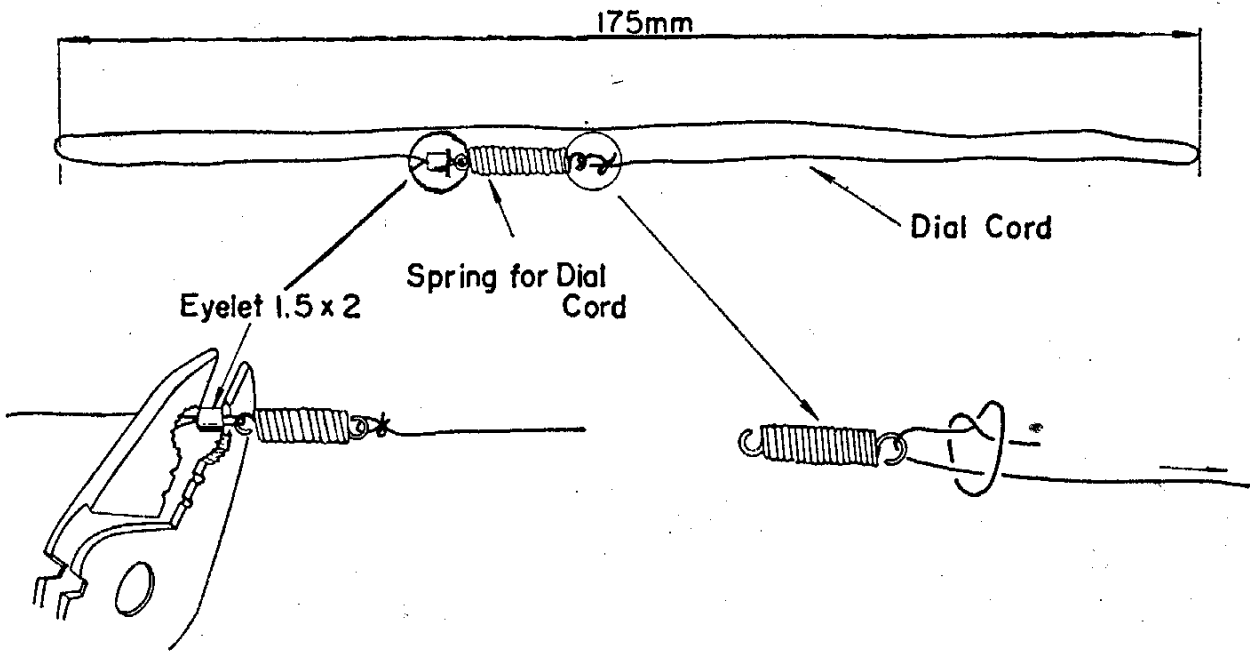
C113 and R107 are mounted on the printed side.

COMPONENT LOCATIONS—TUNER SECTION



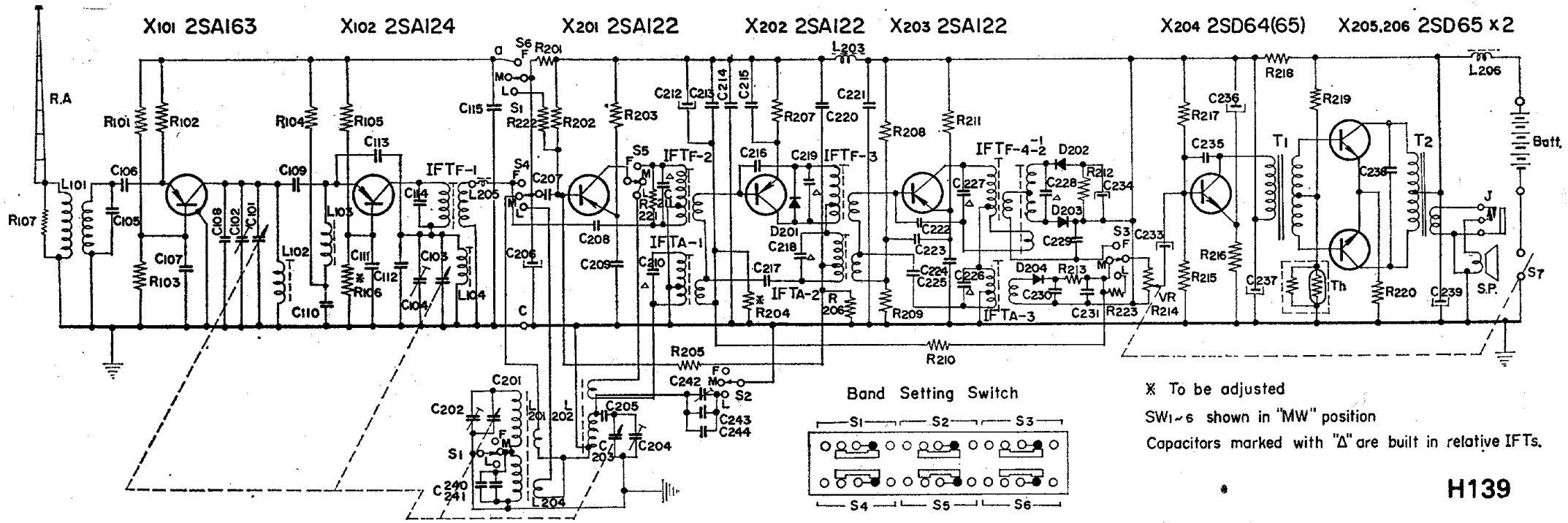
H140

COMPONENT LOCATIONS—I.F./A.F. SECTION



H142

DRIVE CORD—TFM 825L



CIRCUIT DIAGRAM—TFM-825L

H139