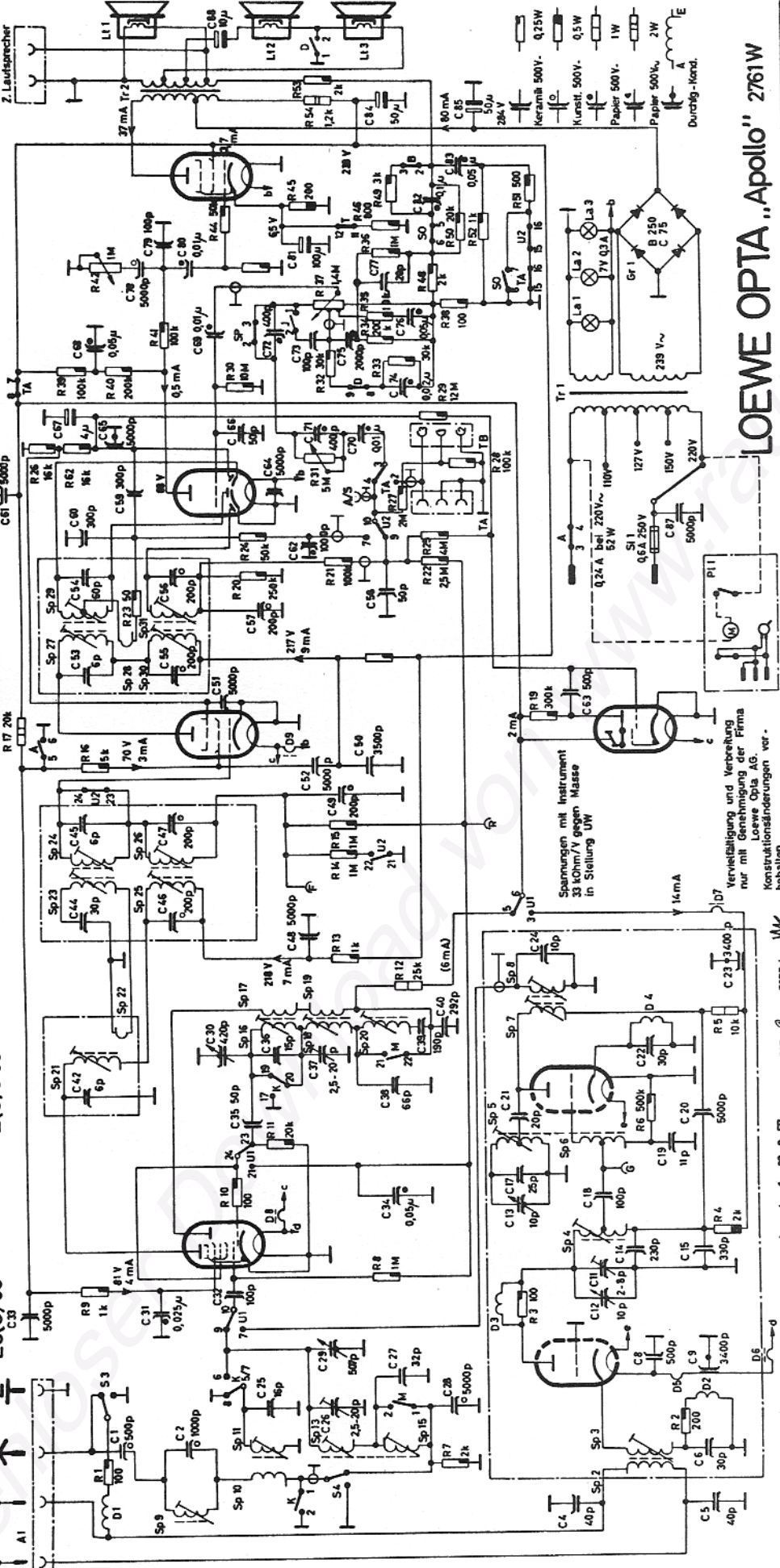


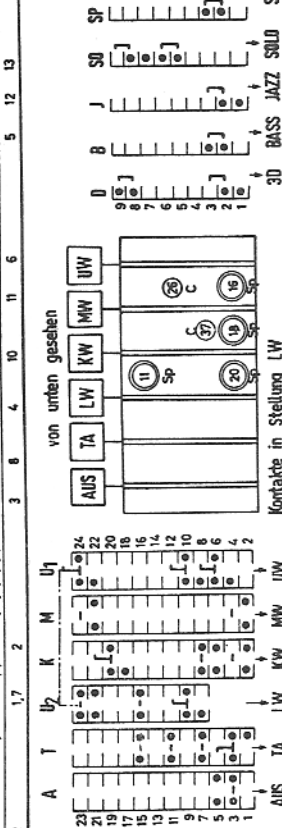
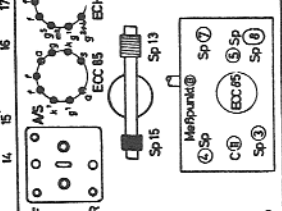
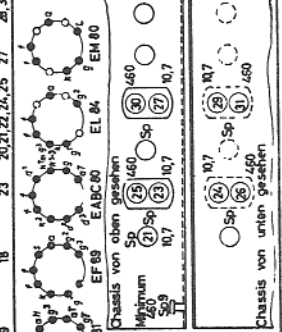
EL 84
B250 C75
EABC80
EF 89 EM 80
E(C)C 85
ECH 81
EC(C) 85



Schalt 2761 Ausgabe 1 29.3.57 gepr.: WJ
4,5 6,12 25,26,28,27,9,29 33,31,23,11 4,5 13,34,18,7 9 35,21,20,42,38 30,35,22,23,9,40 23,24,48,44,46 14, 15 17,19 16 15 51,63 52,50 45,47,49 52,50 51,63 53,55 18 23 20,21,22,24,25 27 28,31,26,22,29 30 39,40,32,33,41,34,35,37,38,48,42,43,36,45,50,52,44,45,49,51,54,53 83 85,84 88

LOEWE OPTA "Apollo" 2761W

Ber.	Osz.	Verk.	Frequ.
UW	Sp 5	Sp 4	89 MHz
		C 11	97 MHz
		Sp 3	93 MHz
		Sp 15	5,2-7/10
		Sp 16	7 MHz
		Sp 17	5,6-11/0,15 SL
		Sp 18	5,7-31/0,15 SL
		Sp 19	8-31/0,15 SL
		Sp 20	9-37/0,05 S
		C 37	10-35/0,12 L
		Sp 20	12-17/0,5 L
		Sp 13	15,2/0,005 S
		Sp 15	15,7/0,15 L
		Sp 16	17-0,5 L
		Sp 18	17/12 L
		Sp 19	18/0,15 L
		Sp 19	18/0,15 L
		Sp 19	18/0,15 L



A	T	U ₂	K	M	U ₁	AUS	TA	LW	KW	MW	UW	30	BASS	JAZZ	SO	SP	SOLD	SP				
23	19	17	15	13	11	9	7	5	3	1	24	22	20	18	16	14	12	10	8	6	4	2
1	2	3	4	5	6	7	8	9	10	11	12	13	14	15	16	17	18	19	20	21	22	23

AIS TA LW KW MW UW