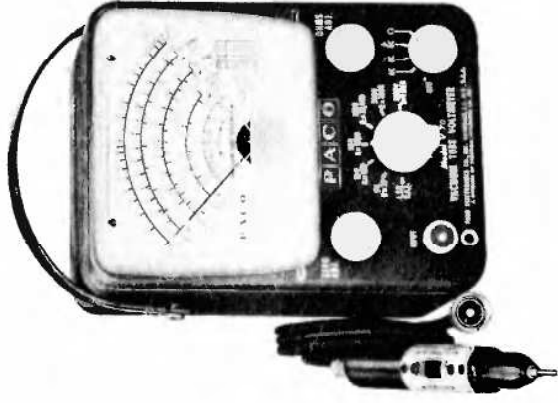


Manual . . . Net Price: \$1.00

**ASSEMBLY**  
*and*  
**OPERATING**  
**MANUAL**  
*for*



**P**

**A**

**C**

**O**

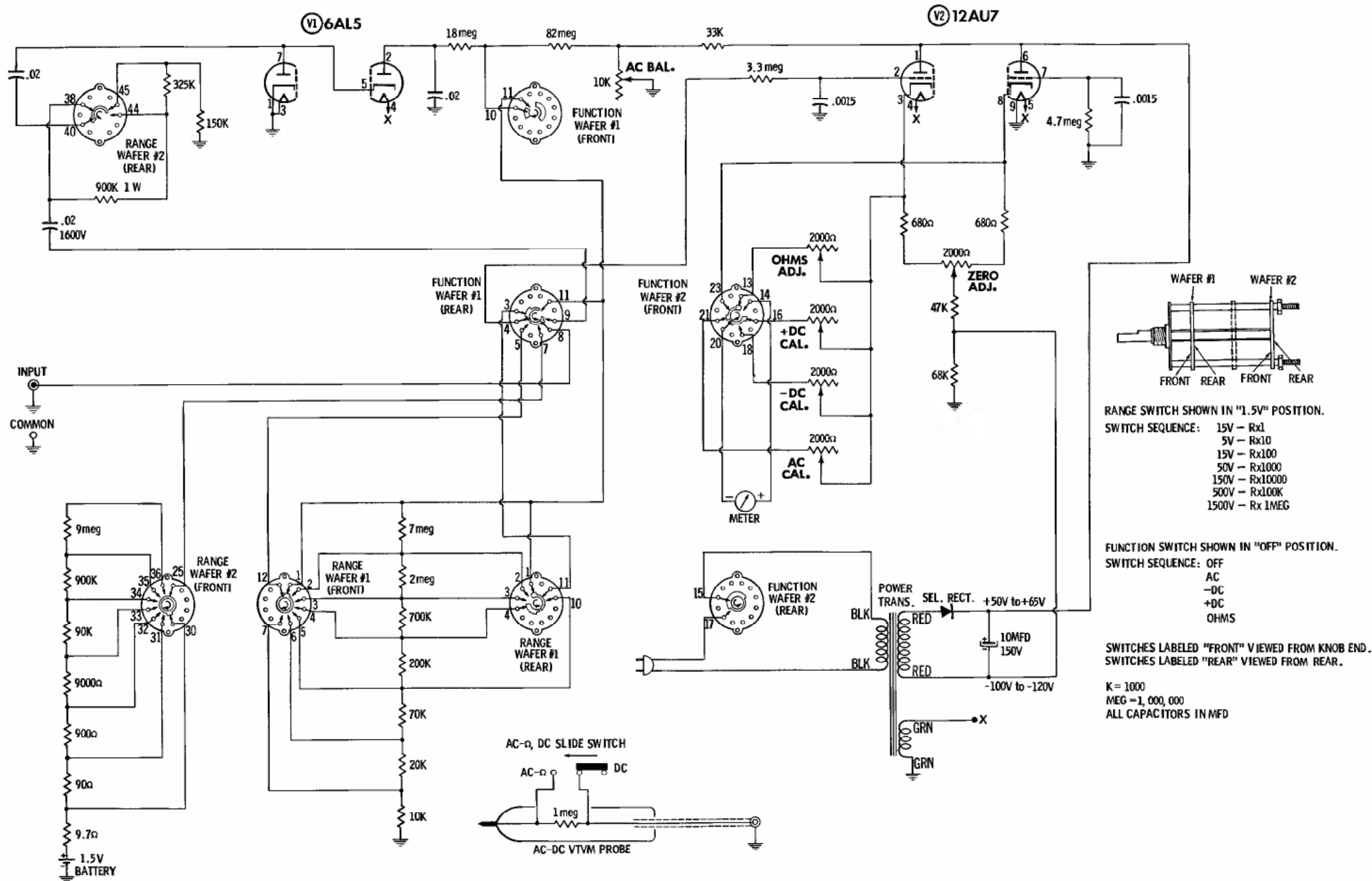
**VACUUM TUBE  
VOLTMETER KIT**  
**Model V-70**

**P** **A** **C** **O**

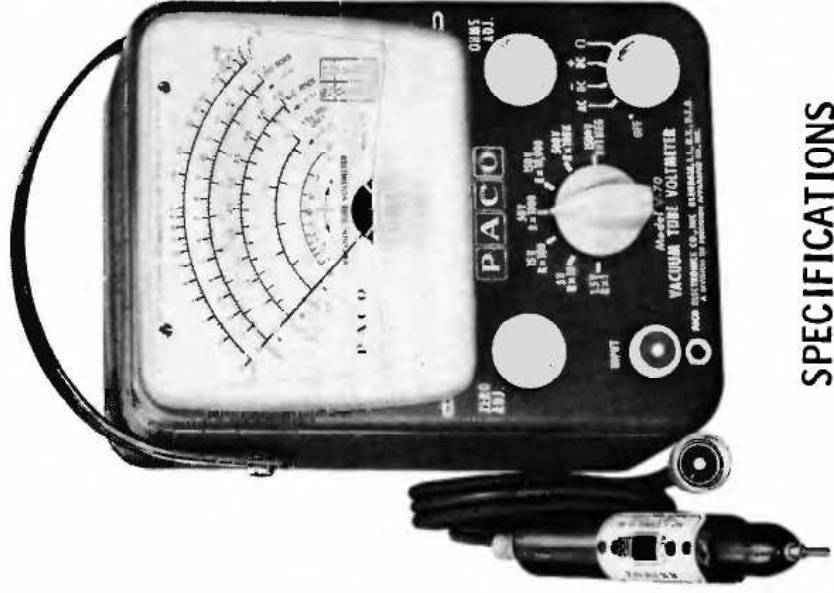
**ELECTRONICS CO., INC.**

A DIVISION OF **PRECISION** APPARATUS CO., INC.

70-31 84th STREET, GLENDALE 27, L. I., N. Y.



Schematic Diagram — Paco Model V-70 VTVM



## SPECIFICATIONS

### DC VOLTMETER, ELECTRONIC:

7 Ranges . . . . .	0-1.5, 5, 15, 50, 150, 500, 1500 volts full scale
Input Resistance . . . . .	11 Megohms (1 Megohm in probe).
Sensitivity . . . . .	7 1/3 Megohms-per-volt on 1.5 volt range.
Circuit . . . . .	Balanced bridge using twin triode.
Accuracy . . . . .	±3% full scale.

### AC VOLTMETER, ELECTRONIC:

7 Ranges (R.M.S.) . . . . .	0-1.5, 5, 15, 50, 150, 500, 1500 volts full scale.
7 Ranges (Peak-to-peak) . . . . .	0-4, 14, 40, 140, 400, 1400, 4000 volts
Frequency Response (5V Range) . . . . .	± 1 db 40 CPS to 4 MC (600 ohms source).
Accuracy . . . . .	±5% full scale.
DB Scale . . . . .	-6 to +16db, +4 to +26db, +14 to +36db, +24 to +46db, +34 to +56db, +44 to +66db (0.775 volts into 600 ohm line on 0-5 volts AC scale = 0db).

### OHMMETER, ELECTRONIC:

7 Ranges . . . . .	0-1000 (x1), 10,000 (x10), 100,000 (x100), 1 meg (x1000), 10 meg (x10K), 100 meg (x100K), 1000 meg (x1 meg). 10 ohms center scale on Rx1.
--------------------	-------------------------------------------------------------------------------------------------------------------------------------------------

METER . . . . . 4 1/2" 400  $\mu$ A movement, clear plastic case

MULTIPLIERS . . . . . 1% precision type.

TUBES . . . . . 12AU7, twin triode bridge, 6AL5, twin diode, peak-  
to-peak rectifier.

BATTERY . . . . . 1.5 volt flashlight cell.

POWER REQUIREMENTS . . . . . 105-125 volts 50-60 cycle AC