

EDDYSTONE

Model 840

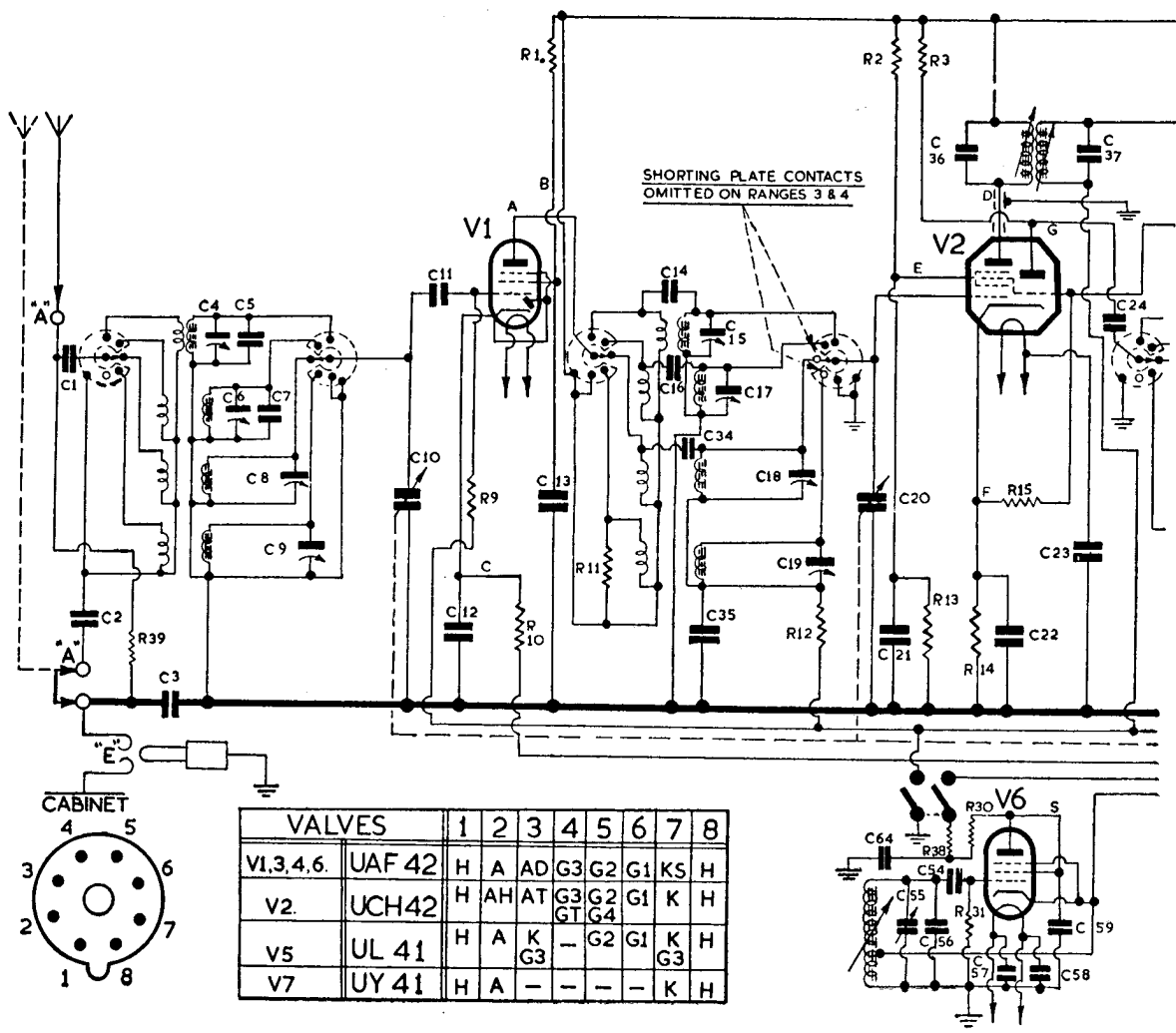
General Description : Seven-valve (including rectifier), four-waveband general-purpose communications receiver with metal-rectifier noise limiter. This receiver has a similar coverage and trimmer lay-out to Model 740, but is for A.C./D.C. operation (100-115 and 220-250 volts).

Wavebands : (1) 30.6-10.5 Mc/s.; (2) 10.6-3.7 Mc/s.; (3) 3.8-1.4 Mc/s.; (4) 205-620 m.

Valves : (V1) UAF42; (V2) UCH42; (V3) UAF42; (V4) UAF42; (V5) UL41; (V6) UAF42; (V7) UY41.

Note : The insulation between the inner chassis and the metal panel should be at least 100 megohms. C66 and C67 which are not shown on the diagram are connected between H.T. line to chassis, and point "L" to chassis respectively.

Voltage Values : Measured with 1000-ohms/volt testmeter between points indicated and chassis, with A.C. input of 110 volts, receiver on Band 4 with aerial shorted to earth.



CIRCUIT DIAGRAM—

A, 100; B, 60; C, 0.7; D, 100; E, 44; F, 1; G, 64; H, 100; J, 60; K, 0.7; L, 13; M, 12; N, 0.6; O, 96; P, 5.3; Q, 100; R, 114; S, 60; T, 105; U, 15.

Component Values :

Dial lamp, 12 volt, 3 watt, Festoon type, OS1233.

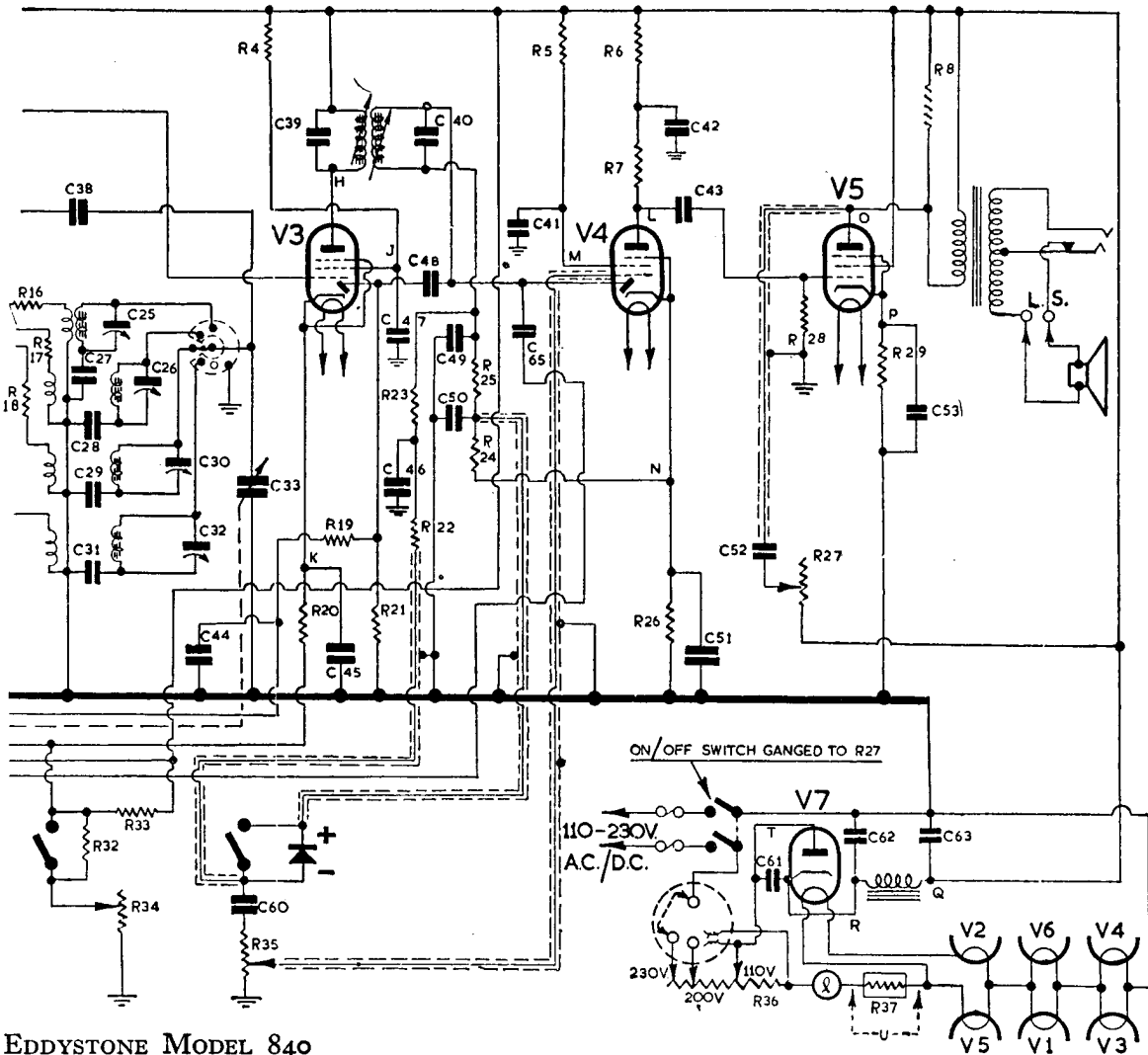
Capacitors.

C1	0.01	C23	0.0005
C2	0.01	C24	100 pF.
C3	0.01	C25	3-23 pF.
C4	3-23 pF.	C26	3-23 pF.
C5	10 pF.	C27	3625 pF.
C6	3-23 pF.	C28	2825 pF.
C7	6 pF.	C29	1040 pF.
C8	3-23 pF.	C30	3-23 pF.
C9	2-23 pF.	C31	400 pF.
C10	11.5-366 pF.	C32	3-23 pF.
C11	100 pF.	C33	11.5-366 pF.
C12	0.1	C34	3 pF.
C13	0.1	C35	0.01
C14	20 pF.	C36	100 pF.
C15	3-23 pF.	C37	100 pF.
C16	6 pF.	C38	100 pF.
C17	3-23 pF.	C39	100 pF.
C18	3-23 pF.	C40	100 pF.
C19	3-23 pF.	C41	0.1
C20	11.5-366 pF.	C42	50
C21	0.1	C43	0.01
C22	0.1	C44	0.01

C45	0.1	C67	0.0005
C46	0.1		
C47	0.1		
C48	20 pF.		
C49	100 pF.		
C50	100 pF.		
C51	30		
C52	0.1		
C53	30		
C54	100 pF.		
C55	B.F.O.		
C56	100 pF.		
C57	0.01		
C58	0.01		
C59	0.01		
C60	0.01		
C61	0.01		
C62	50		
C63	50		
C64	0.01		
C65	3 pF.		
C66	0.01		

Resistors.

R1	47,000	R22	2.0M
R2	22,000	R23	1.0M
R3	10,000	R24	100,000
R4	47,000	R25	100,000
R5	0.73M	R26	2,700
R6	22,000	R27	50,000
R7	200,000	R28	470,000
R8	0.1M	R29	150
R9	470,000	R30	10,000
R10	330	R31	47,000
R11	3,300	R32	47,000
R12	470,000	R33	270,000
R13	47,000	R34	10,000
R14	220	R35	500,000
R15	22,000	R36	500
R16	22	R37	Thermistor
R17	47	R38	1,000
		R39	2.0M



EDDYSTONE MODEL 840