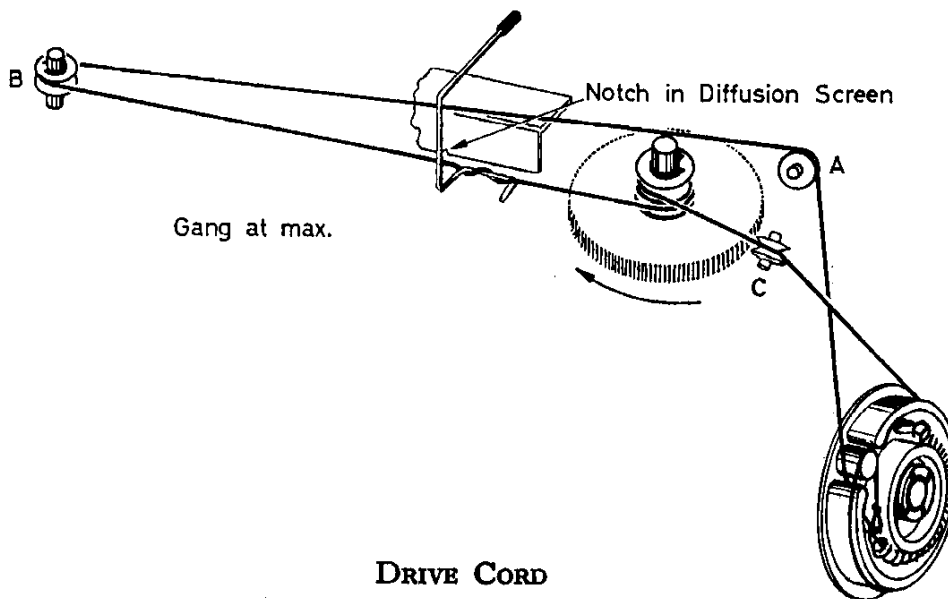
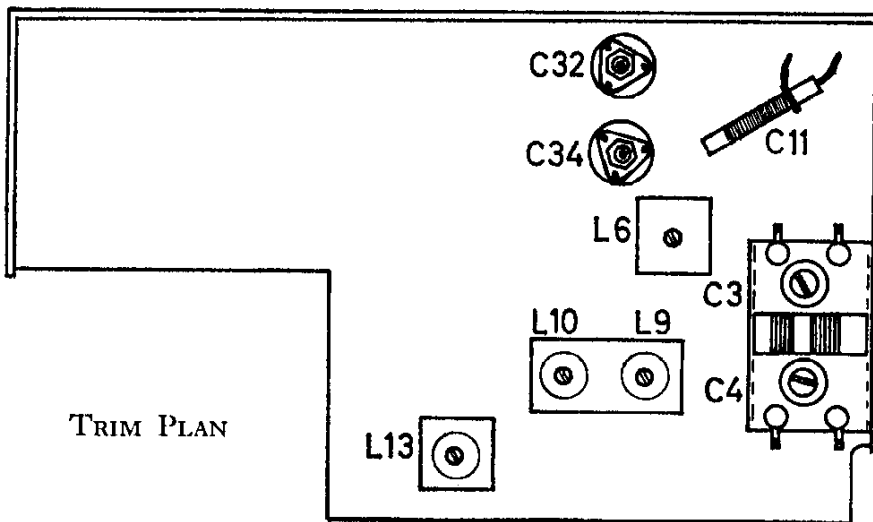
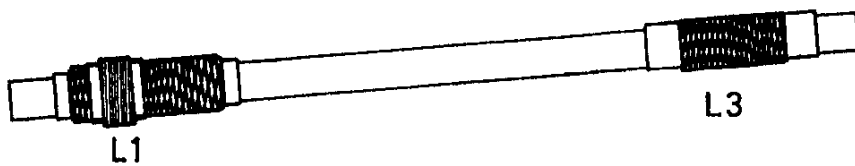


PHILIPS "TRIESTE" Model L2G43T

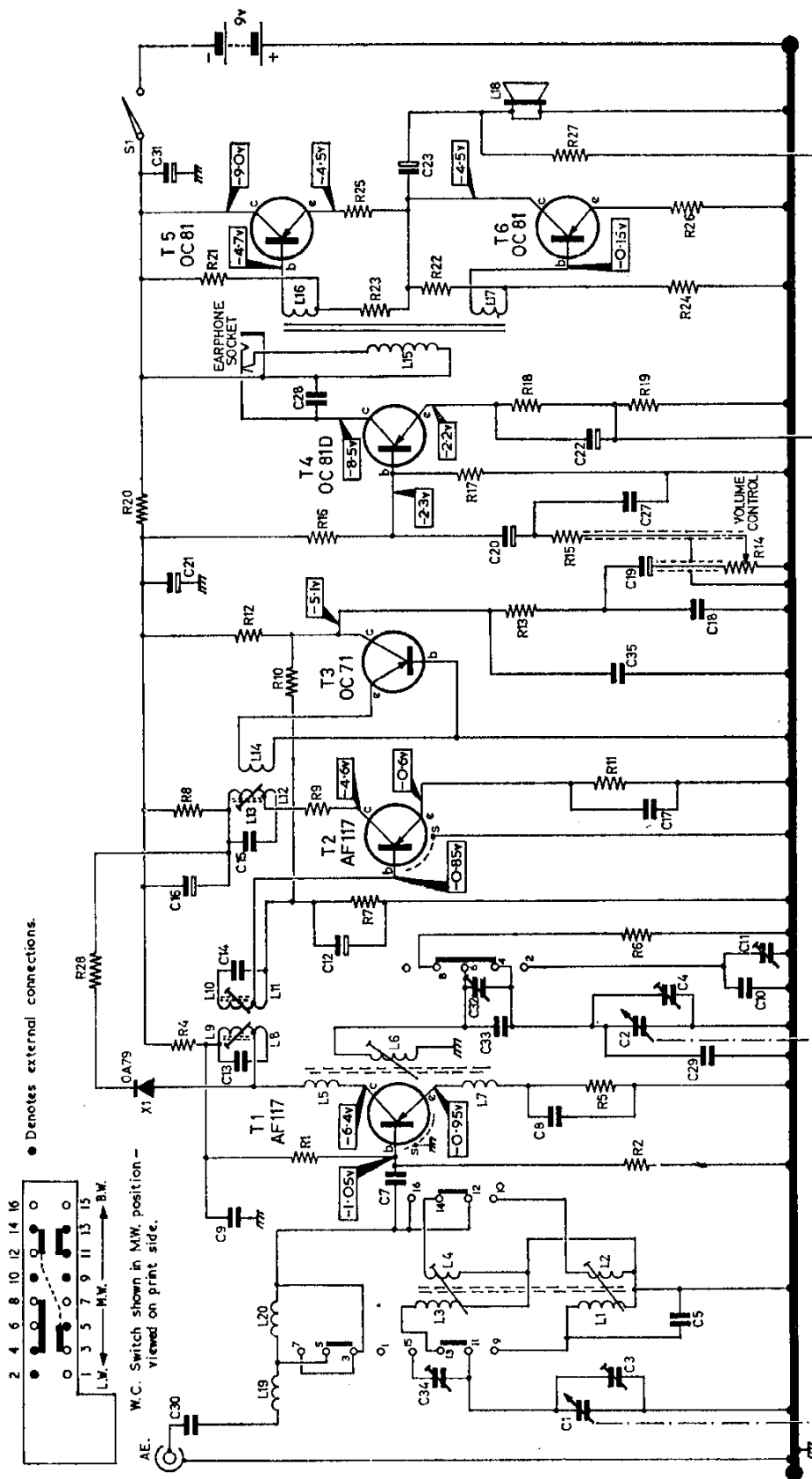
General Description: Six-transistor, L.W./M.W. plus bandspread, portable receiver. Sockets for car aerial and earphone. 9-volt battery (PP7 or equivalent). Consumption 15 mA.

Semi-conductors: (T₁, T₂) AF117; (T₃) OC71; (T₄) OC81D; (T₅, T₆) OC81; (X₁) OA79.

Alignment: I.F. 470 kc/s. (L₁₃, L₁₀, L₉); M.W. 535 kc/s. (L₆, L₃); 1500 kc/s. (C₄, C₃); L.W. 145 kc/s. (C₁₁); 190 kc/s. (L₁); Bandspread 1400 kc/s. (C₃₂); 1438 kc/s. (C₃₄).



DRIVE CORD



Circuit Diagram—PHILIPS MODEL L2G43T
 Addendum: A 2.2k pF. capacitor C36 (not shown) has been added between slider R14 (V/C) and + side of C19.

- Capacitors.**
- C1-4 Gang
 - C5 56 pF.
 - C7 10k pF.
 - C8 18k pF.
 - C9 0.1 μF.
 - C10 180 pF.
 - C11 100 pF.
 - C12 25 μF.
 - C13 200 pF.
 - C14 200 pF.
 - C15 91 pF.
 - C16 10 μF.
 - C17 0.1 μF.
 - C18 3.9k pF.
 - C19 4 μF.
 - C20 4 μF.
 - C21 160 μF.
 - C22 80 μF.
 - C23 160 μF.
 - C27 4.7k pF.
 - C28 10k pF.
 - C29 3 pF.
 - C30 10 pF.
 - C31 640 μF.
 - C32 3.30 pF.
 - C33 18 pF.
 - C34 3.30 pF.
 - C35 8.2k pF.
 - C36 2.2k pF.

- Resistors.**
- R1 33k
 - R2 6.8k
 - R4 1.5k
 - R5 1k
 - R6 82k
 - R7 10k
 - R8 33k
 - R9 180
 - R10 4.7k
 - R11 270
 - R12 27k
 - R13 4.7k
 - R14 (V/C) 47k
 - R15 1.5k
 - R16 or 1.8k
 - R17 180
 - R18 47k
 - R19 270
 - R20 27k
 - R21 4.7k
 - R22 47k
 - R23 39k
 - R24 18k
 - R25 1k
 - R26 15
 - R27 270
 - R28 2.2k

- 82
- 82
- 3.3
- 3.3
- 2.2k
- 820

● Denotes external connections.

W.C. Switch shown in MW. position—viewed on print side.

