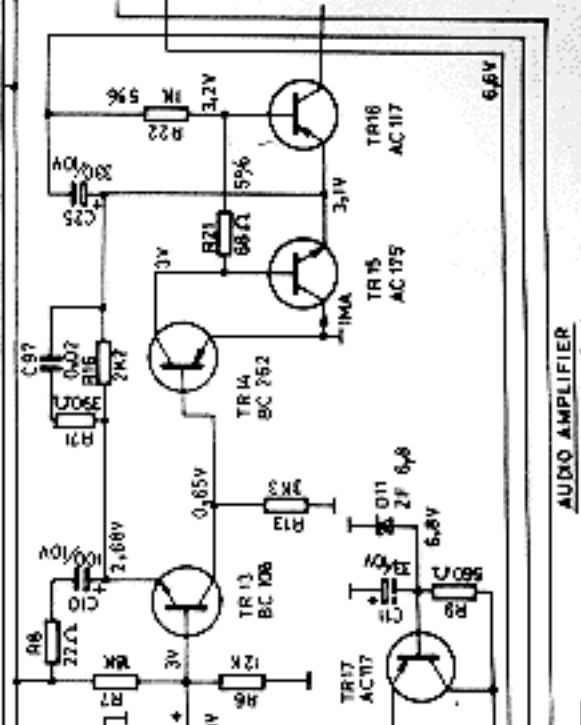


MODIFICATIONS (FROM DECEMBER 1974)

- C4 FROM 1μF TO 0.04μF
- R71 10T RESISTOR FROM JUNCTION OF L7/C43 TO POSITIVE CHASSIS
- C39 FROM 470μF/10V TO 33μF/10V
- R72 1K RESISTOR FROM TAP OF L2 TO POSITIVE CHASSIS
- ADDITION OF C92 33μF/10V CAPACITOR ACROSS THE METER
- R62 2K2Ω NOW BECOMES 1KΩ
- R63 100Ω NOW BECOMES 1KΩ
- C45 33μF/10V NOW BECOMES 1μF/10V
- C50 AND C62 NOW PLACED UNDER THE CIRCUIT BOARD AND NOT ON THE COMPONENT SIDE



NOTES

VOLTAGES SHOWN ON THIS DIAGRAM CAN VARY DEPENDING ON THE ACTUAL ZENER DIODE AND RESISTOR TOLERANCES, AND ARE NEGATIVE WITH RESPECT TO CHASSIS

ALL CAPACITOR VALUES ARE SHOWN IN μF (MICROFARAD) EXCEPT THOSE INDICATED IN P1 (PICOFARAD)

EVERY EFFORT IS MADE TO KEEP THIS DIAGRAM UP TO DATE—BUT THE RIGHT IS RESERVED TO USE DIFFERENT COMPONENTS OR AMEND THE CIRCUIT WITHOUT NOTICE.

DIODES

- DB AA112 AM DETECTOR
- D8 D10 AA112 MATCHED PAIR SSB DETECTION
- D11 ZF 6.8 VOLTAGE REGULATOR

TRANSISTORS

- TR1 HARMONIC GENERATOR
- TR2, TR3, TR4 42.5 MHz HARMONIC AMP
- TR5 R.F. AMP
- TR6 FIRST OSC.
- TR7 45 MHz AMP
- TR8 2 TO 3 MHz AMP
- TR9 2 TO 3 MHz OSC. MIXER
- TR10, TR11, TR12 455 KHz LF AMP
- TR17 D.C. SUPPLY REGULATOR
- TR18 B.F.O. OSCILLATOR

MODIFICATIONS

- C75 - C80 2200 pF SERIAL N°s 0001 TO 0100 ONLY
- C80 2.5 TO 6 pF SERIAL N°s 0001 TO 1100 ONLY
- C32 7-35 pF (AND C28 NOT FITTED) ON EARLY MODELS
- VALUE OF R40 ON EARLIER MODELS:-
- A11K5 WITH METER TYPE KISHO Y04 600
- B13K9 WITH METER TYPE TOYO MUISSEN V81
- C17 ADJUSTING CAPACITOR

APPLICABLE TO SERIAL N°s 0001 TO 0100 ONLY

NOTE: TRANSISTORS TR1-TR2 & TR18 WERE BF 121 & BF 125 ON EARLIER MODELS.