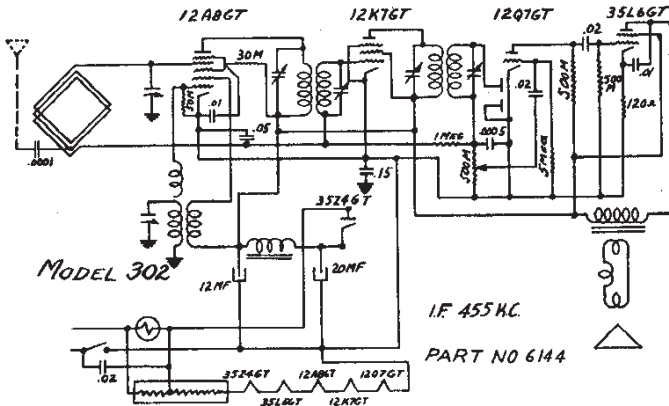


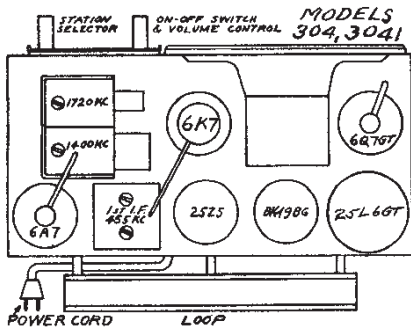
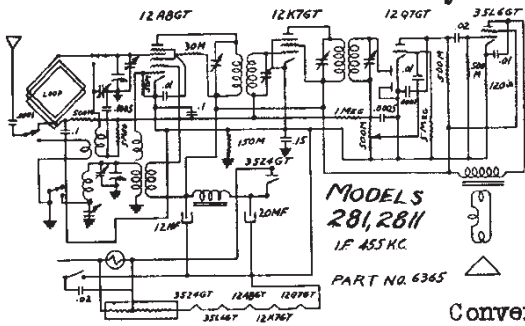
Schematics, Socket Alignment, Trimmers

DETROLA CORP.

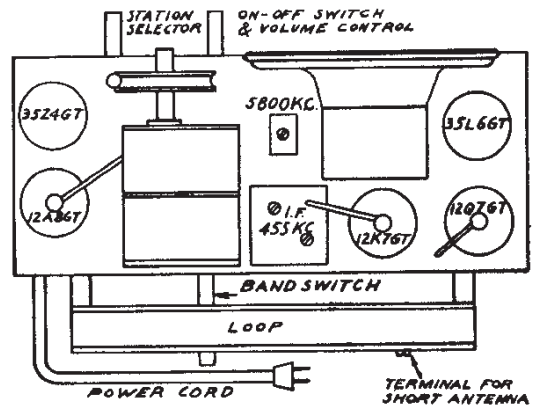
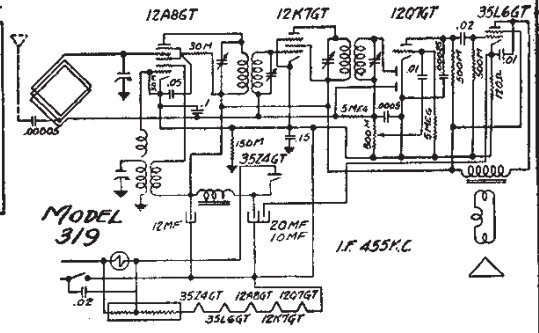
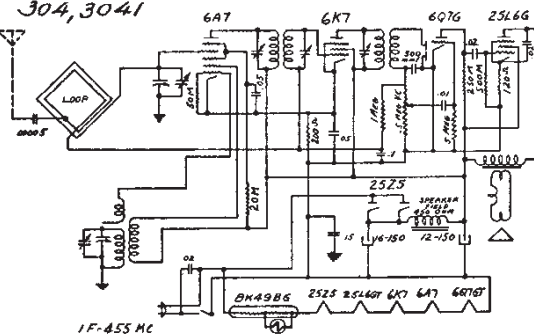
MODELS 281, 2811
 MODEL 293
 MODEL 302
 MODELS 304, 3041
 MODEL 319



At right: Chassis layout for Models 302, 319, 281, and 2811. Band switch and 5800-ke trimmer on Models 281 and 2811 only.



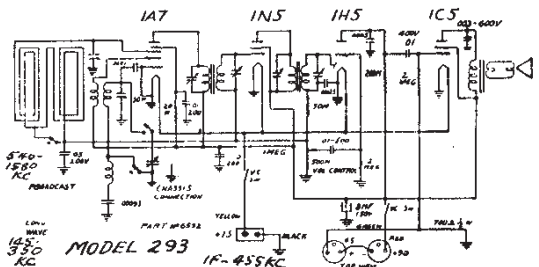
MODELS 304, 3041



The following tubes are used in this receiver:
 12A8GT Translater 12Q7GT Detector AVC
 12K7GT IF Amplifier 35L6GT Output
 35Z4GT Rectifier

If this receiver should fail to operate when connected to direct current, reverse the attachment plug in the light socket.

Conventional alignment for all models See Vol. VIII "How It Works"



At right: Layout for Model 293

