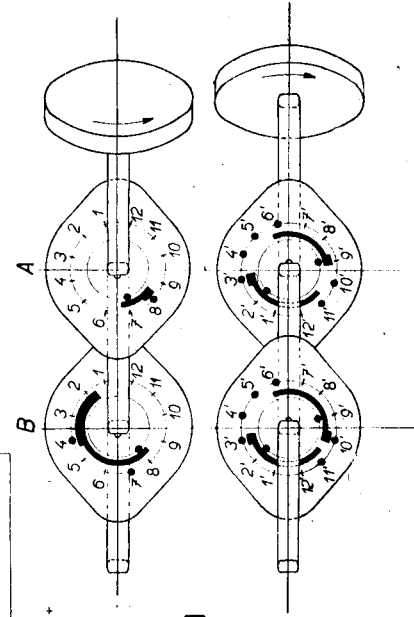
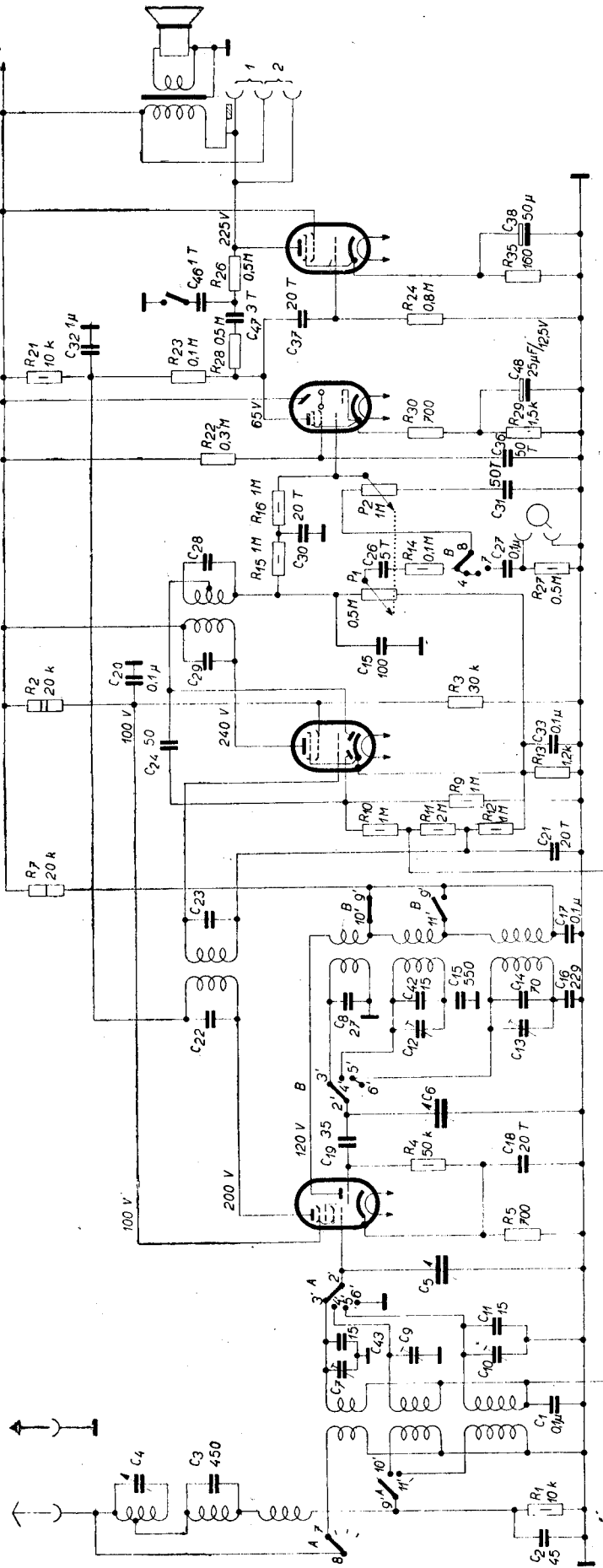


ECH 11

EBF 11

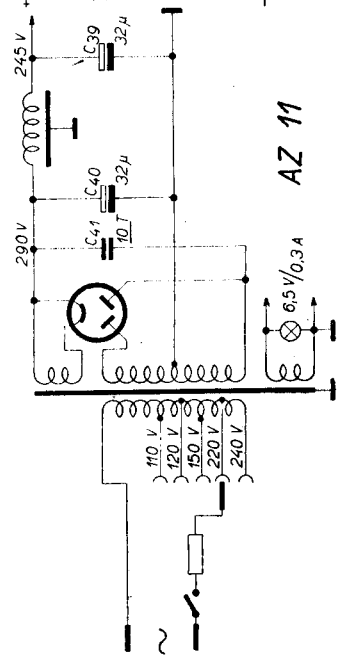
EFM 11

EL 11



	A	B
16-50 m	7-8	2'-3'
185-600 m	9'-10'	2'-4'
720-2000 m	9'-11'	2'-5'
		2'-6'

$R_{VOLTH} = 1000\Omega/V / 300000\Omega$



AZ 11

TELEGRAFIA T 44
1939/40 MF = 470 kHz