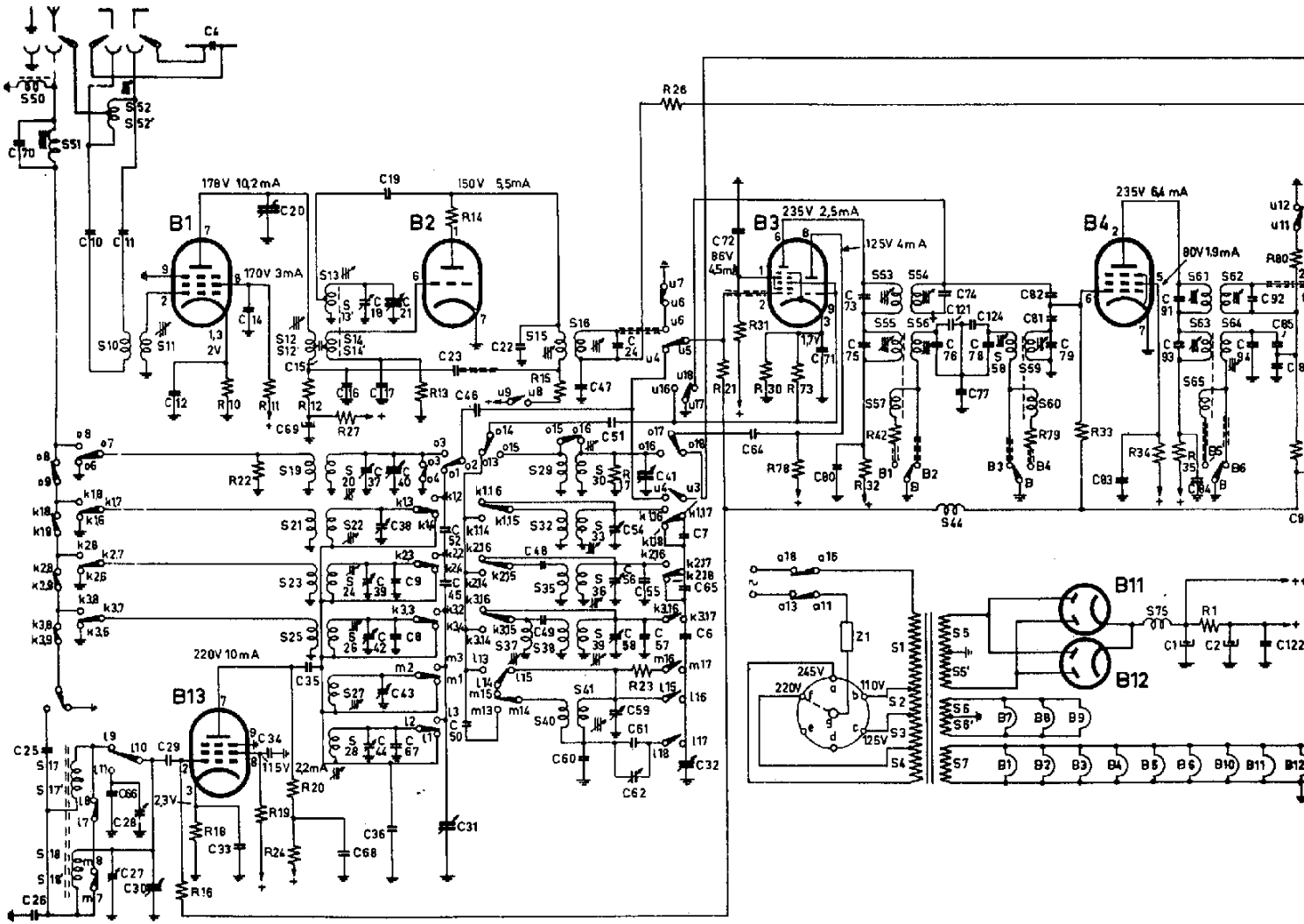


S: 50, 51,	10, 11, 52, 57	12, 12, 13, 13, 14, 16, 20,	15, 29, 16, 30,	53, 54, 55, 56, 57,	58, 59, 60,	61, 62, 63, 64, 65,
C: 70, 10, 11,	12, 14,	20, 68, 15, 16, 37, 19, 21, 74, 0, 38, 19, 23, 46, 52, 31, 22,	47, 51, 5, 24, 41,	72, 64, 71, 80, 73, 75,	76, 121, 74, 124, 79, 77, 82, 81, 78, 83,	91, 84, 94, 92, 85, 8,
R:	10, 11, 22, 12, 27,	13, 14,	15, 17,	26, 21, 31, 30, 73, 78,	32, 42,	78, 33, 34, 35, 80, 3,



S: 17, 17, 18, 18,	21, 22, 23, 24, 25, 26, 27, 29,	32, 33, 35, 36, 7, 9, 8, 3, 9, 4, 5, 5, 0, 4, 8, 4, 9, 6, 0, 5, 4, 5, 5, 9, 8, 9, 6, 1, 6, 2, 5, 5, 5, 7, 7, 6, 5, 6, 3, 2,	1, 2, 3, 4, 5, 5, 6, 6, 7,	75,	1, 2, 12, 2,
C: 26, 25,	66, 27, 28, 30, 29,	33, 34, 35,	68, 36, 42, 44, 57, 43, 8, 3, 9, 4, 5, 5, 0, 4, 8, 4, 9, 6, 0, 5, 4, 5, 5, 9, 8, 9, 6, 1, 6, 2, 5, 5, 5, 7, 7, 6, 5, 6, 3, 2,		
R:	16, 16,	19, 20, 24,	23,		1,

Fig 4

# BX 732 A

III

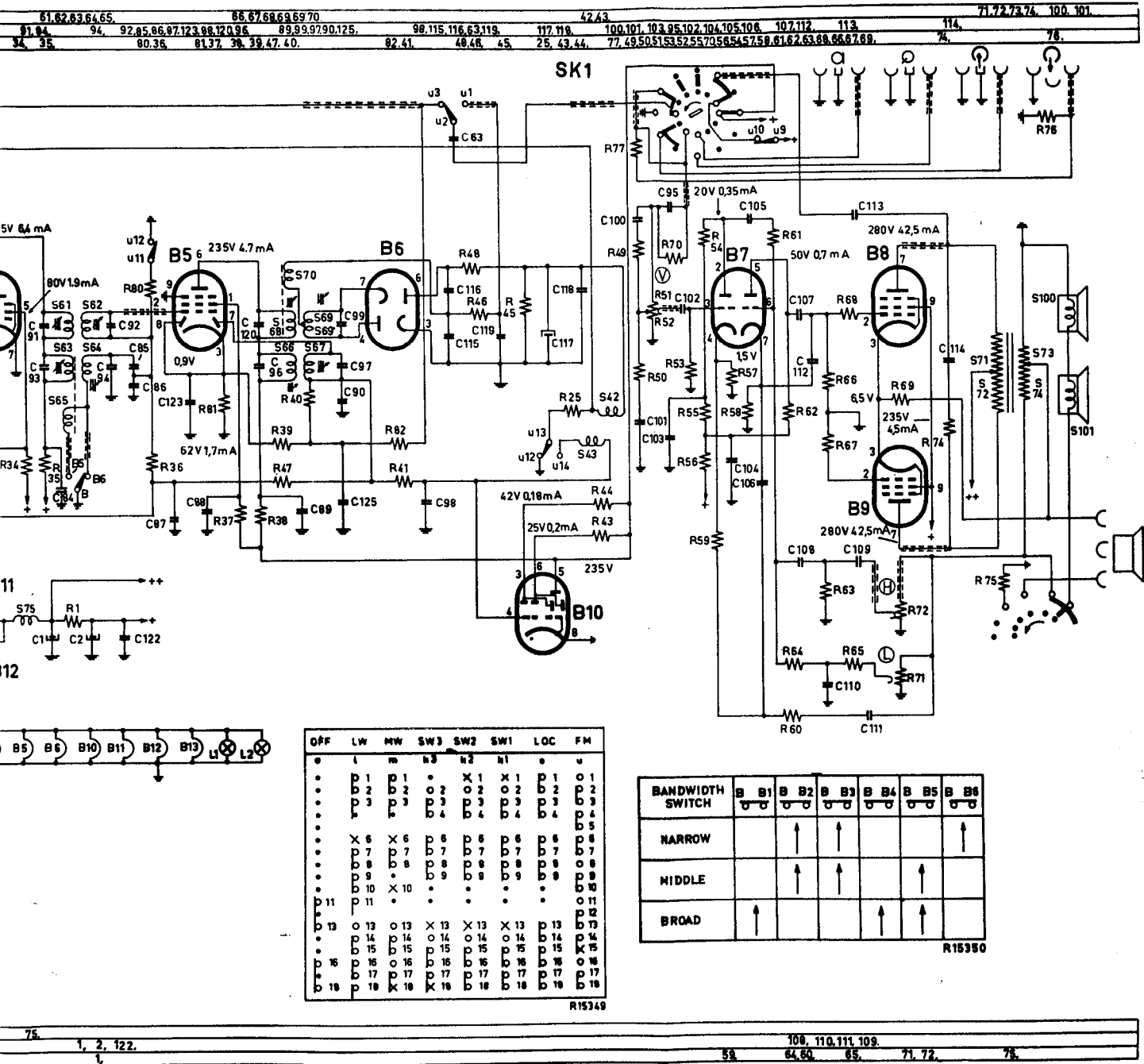


Fig.4

R15138

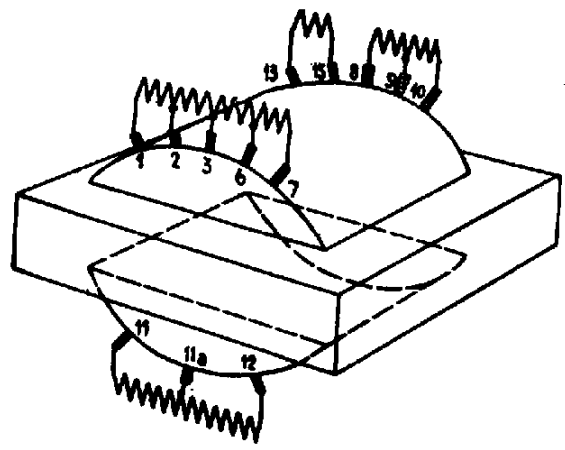
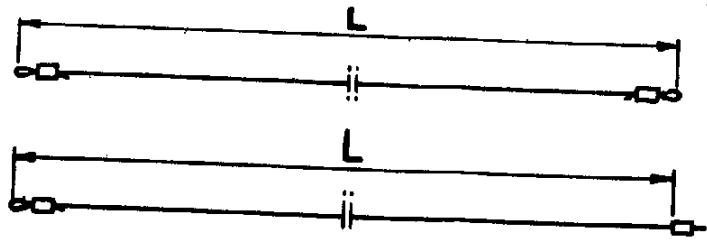
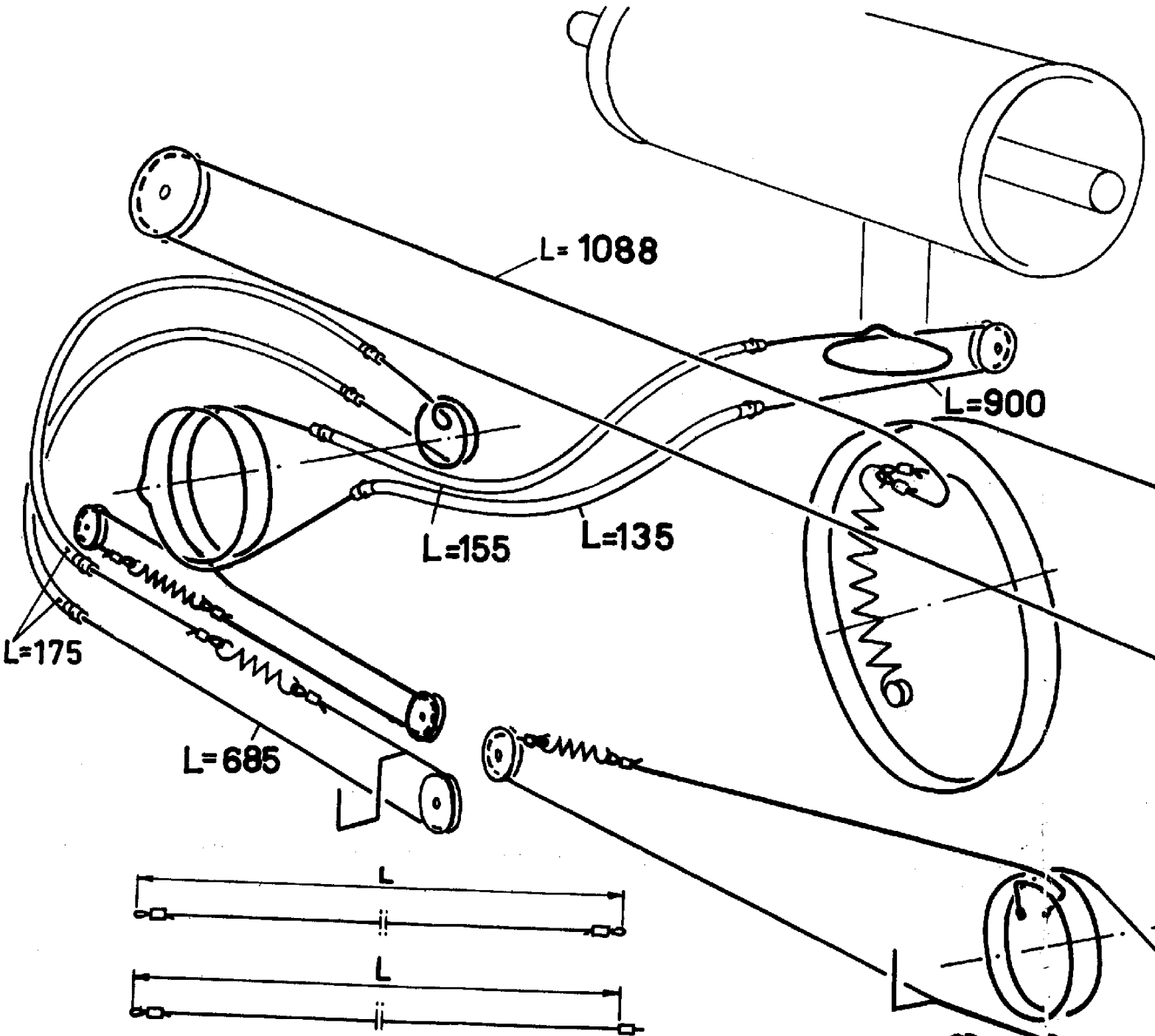
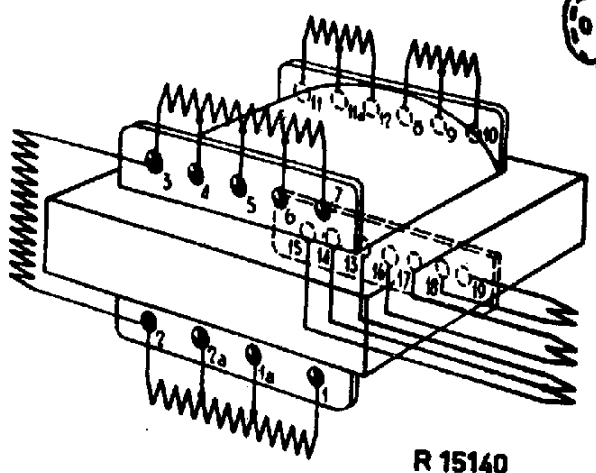


Fig.5



R 15140

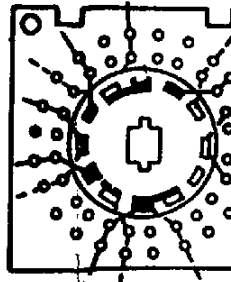
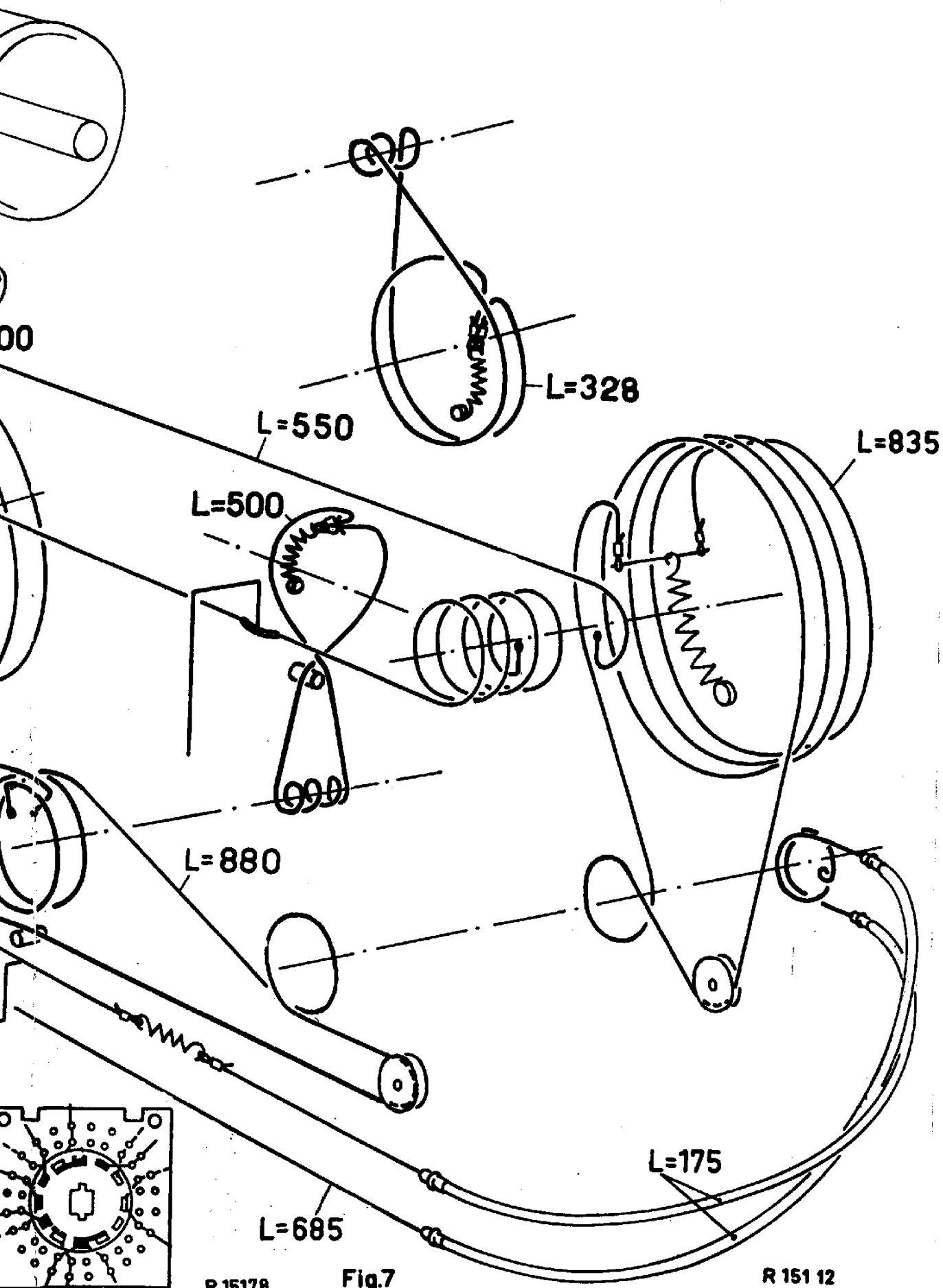


Fig.6 sk1



R 15178

Fig.7

R 151 12

Fig.6 sk1