

EVER READY

SKY BARON

General Description: Six-transistor, two-waveband, table receiver. A similar chassis is fitted in the **BEREC "Musketeer"** receiver.

Power Supply: 9-volt battery (Ever Ready Type PP10).

Wavebands: M.W. 192-555 m.; L.W. pre-tuned 1500 m. only.

Transistor Analysis: Following measurements taken on high-impedance electronic voltmeter, and a meter of at least 20,000-ohms/volt sensitivity should be used. Tolerances ± 10 per cent.

Transistor	Collector, volts	Base, volts	Emitter, volts
VT1 XA102.	7.10	1.38	1.27
VT2 XA101.	6.96	0.70	0.54
VT3 XA101.	7.07	1.23	0.95
VT4 XB113	8.90	1.52	1.36
VT5 } XC131.	9.0	0.17	0.016
VT6 }			

Total no-signal consumption 10.5 mA; average total for music at normal listening level about 22 mA.

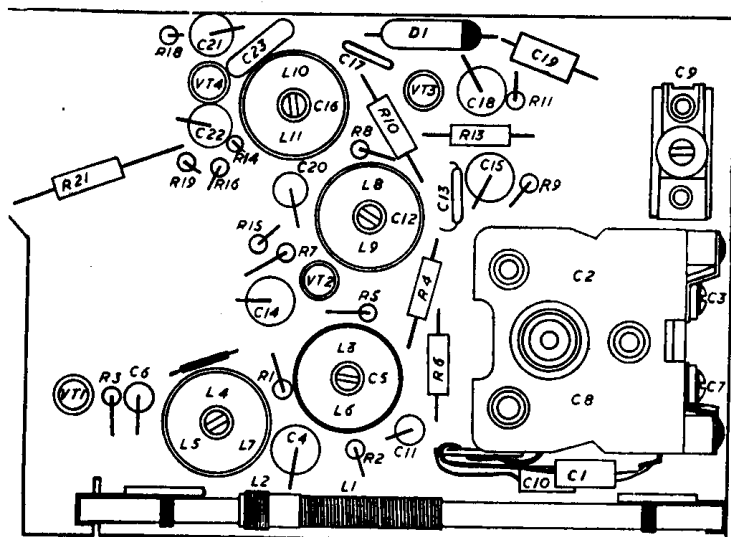
Alignment Procedure: Remove chassis protection cover. Set tuning gang fully open on M.W., connect low-voltage A.C. meter across T2 secondary. Connect live side of generator output via 0.1 and 5.6k in series to base of VT1 (conductor "X" on right-hand bottom corner of panel and earth side to conductor "E"). Inject a 470-kc/s. signal and adjust L10, L8 and L3 using a non-ferrous trimming tool. Finally, inject signal via inductive loop (e.g., 20 turns on a 4-in.-diameter former) and readjust L10, L8 and L3.

R.F.: M.W. circuits must be adjusted first. Signals should be injected via inductive loop about 2 ft. from ferrite-rod aerial.

M.W.: Fully close gang. Inject a 540-kc/s. signal and adjust L7. Set gang to fully open M.W. position, inject a 1560-kc/s. signal and adjust C7 and C3. Inject a 600-kc/s. signal.

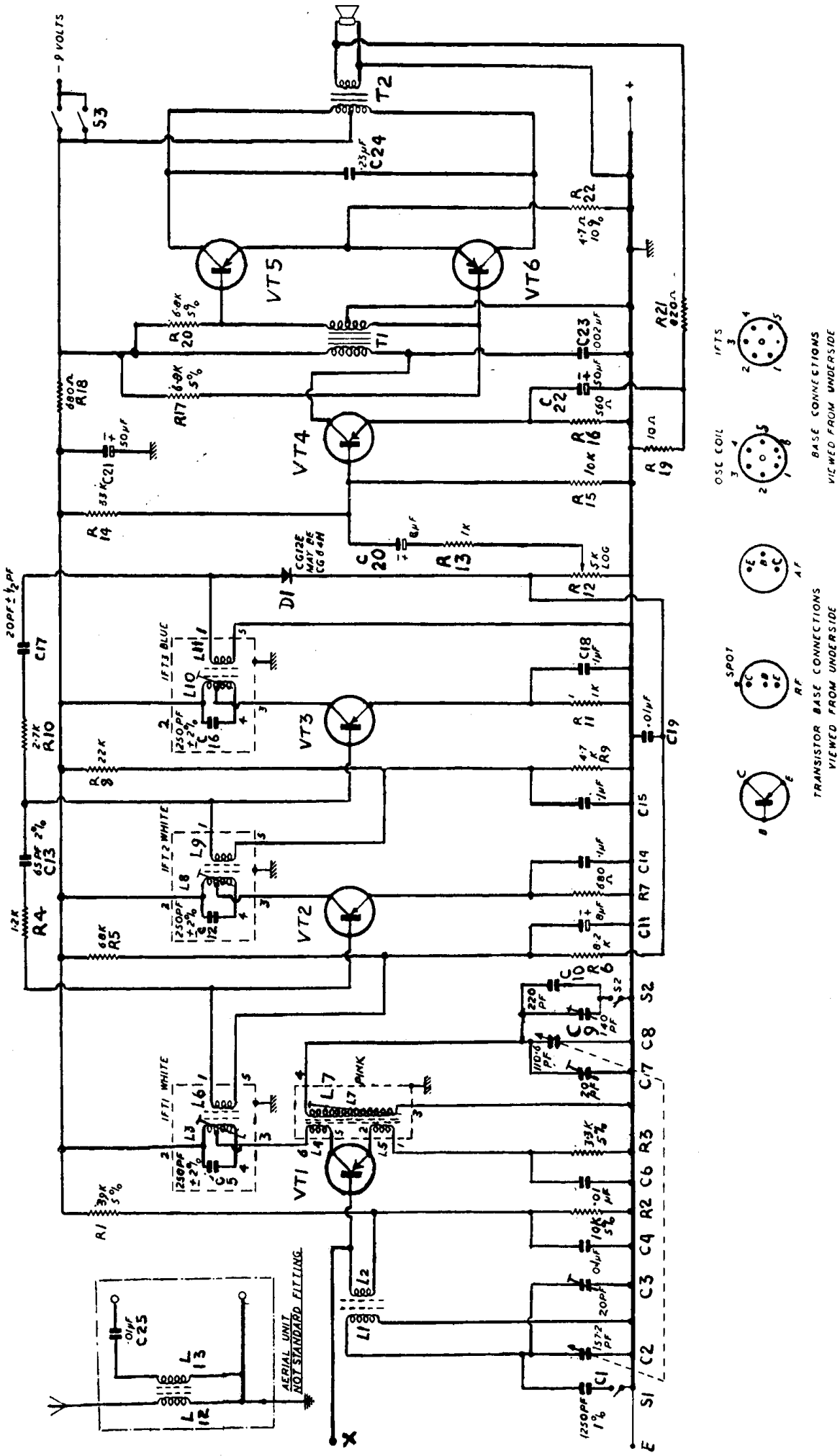
Tune to signal and, rocking gang slightly, adjust L7. Inject a 1560-kc/s. signal and readjust C7. Inject a 1300-kc/s. signal, tune in and adjust C3.

L.W.: Operate L.W. switch by fully opening gang. Adjust C9 for maximum output on B.B.C. light programme or from a 200-kc/s. signal.



BEREC "Bambino" has a chassis similar to the EVER READY "Sky Personal" receiver described in the 1959-60 volume.

COMPONENT LAY-OUT



CIRCUIT DIAGRAM—EVER READY "SKY BARON"

The insert shows the special fitting which allows the use of an external aerial on some models.