



S:	E																	F				C.D				A.B			
C:	5	21	1	2	20	18	42	17	16	7	16	38	41	10	12	13	15	14	11	4	39	6	8	9	31				
R:	9	7	13	1	14	11	17	12	26	6	18	5	4	15	19	10	16	17	10	15	19	10	16	17	10	16			

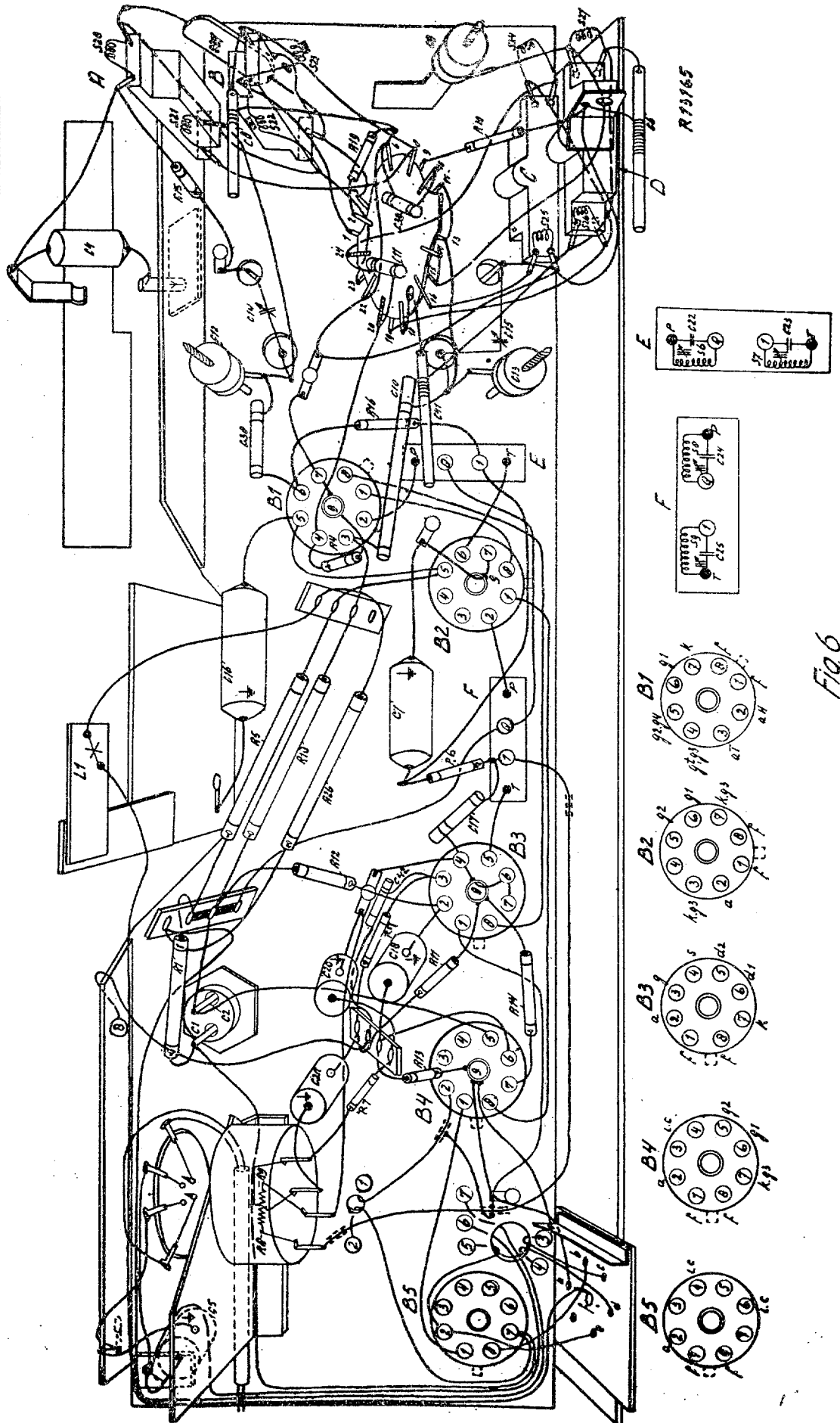


Fig. 6

BX200U

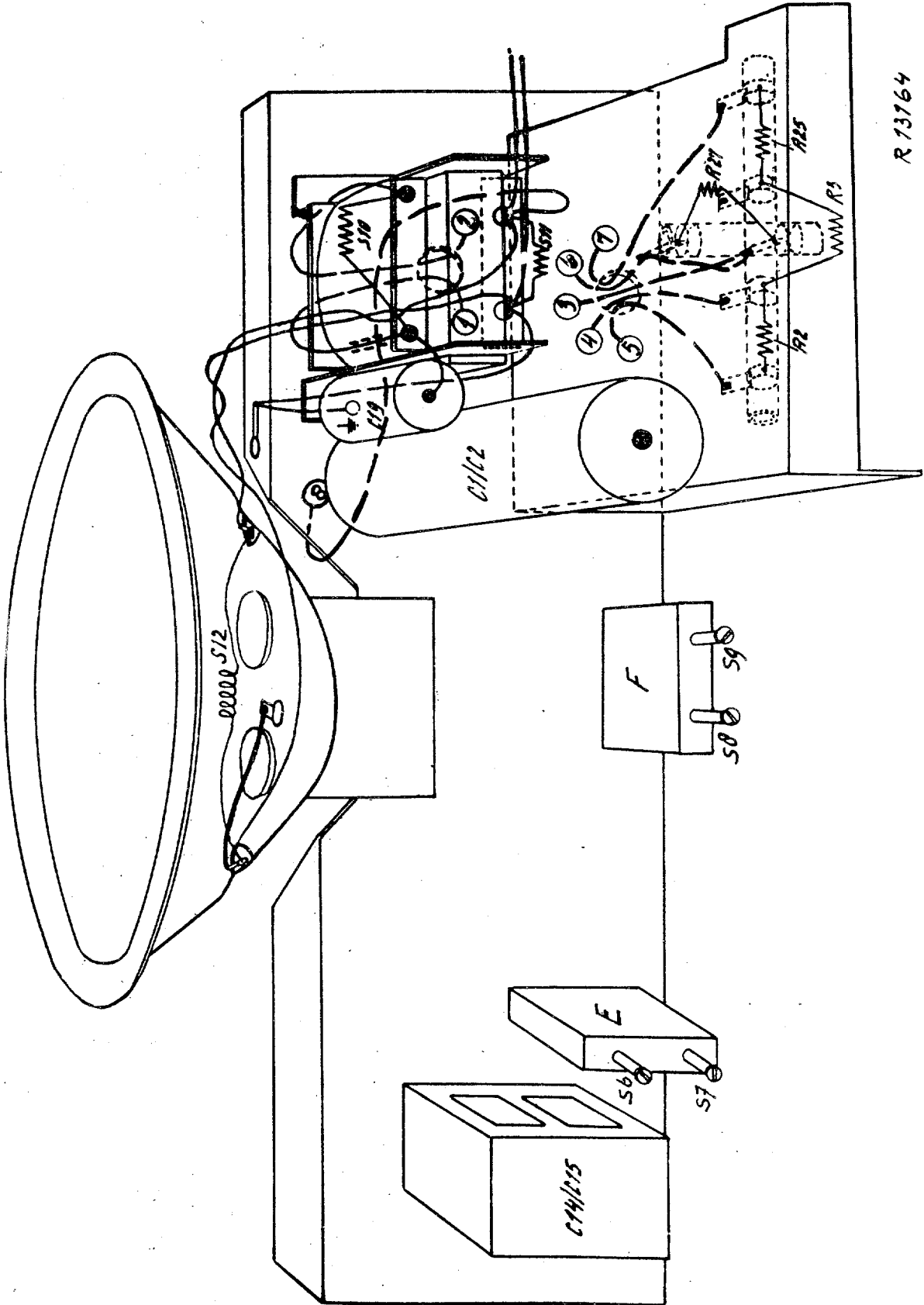
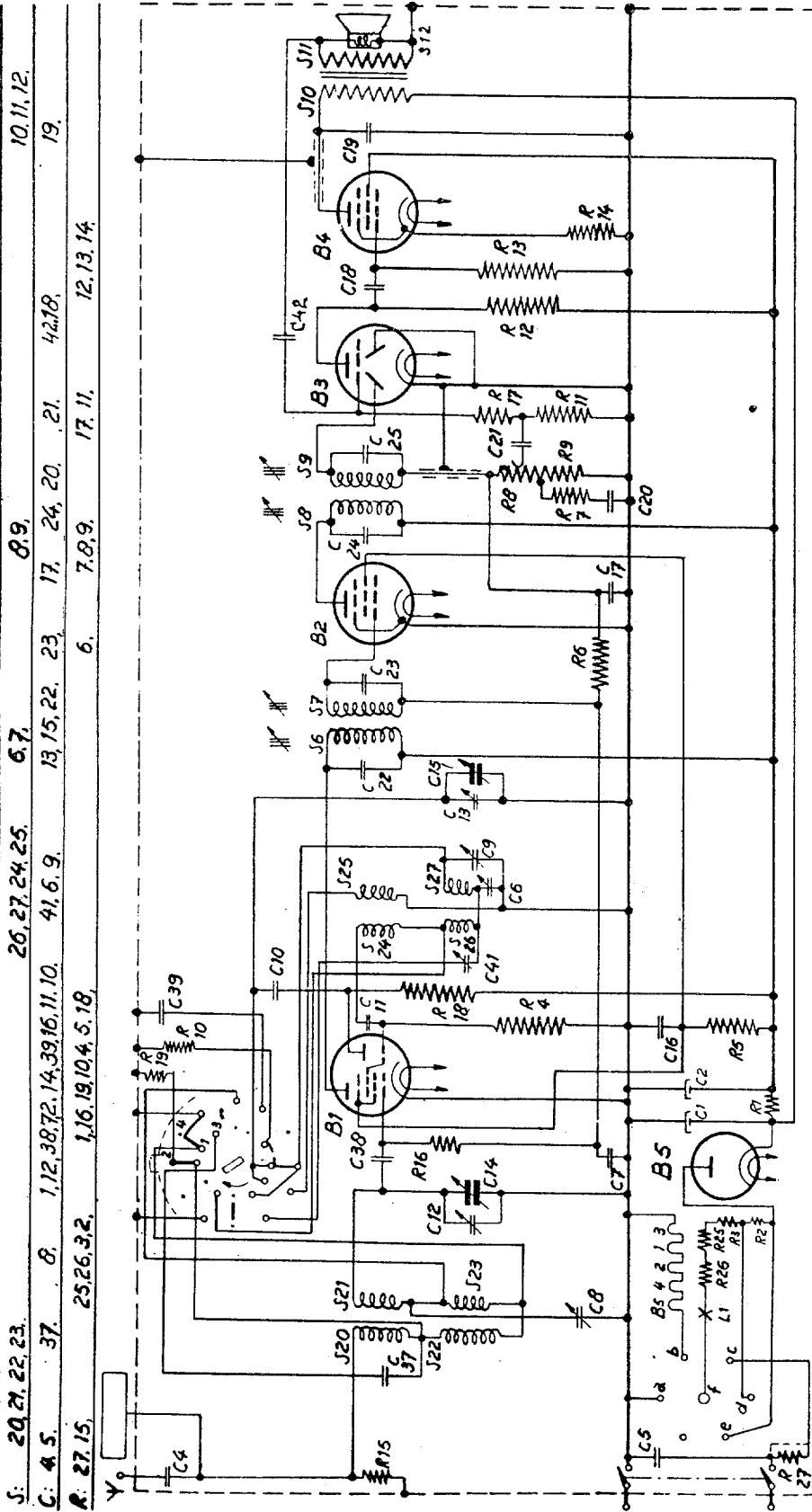


Fig. 7

BX200U

V



R13766

10, 11, 12, 19.

8, 9.

6, 7.

26, 27, 24, 25.

J: 20, 21, 22, 23.

19.

42, 18.

21.

20.

23.

17.

7, 8, 9.

17, 11.

6.

13, 15, 22.

23.

17, 11.

41, 6, 9.

6.

12, 13, 14.

1, 16, 19, 10, 4, 5, 18.

25, 26, 3, 2.

37.

8.

1, 12, 38, 72, 14, 39, 16, 11, 10.

41, 6, 9.

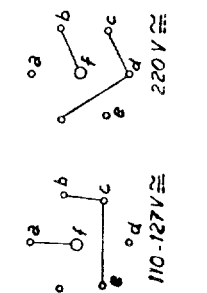
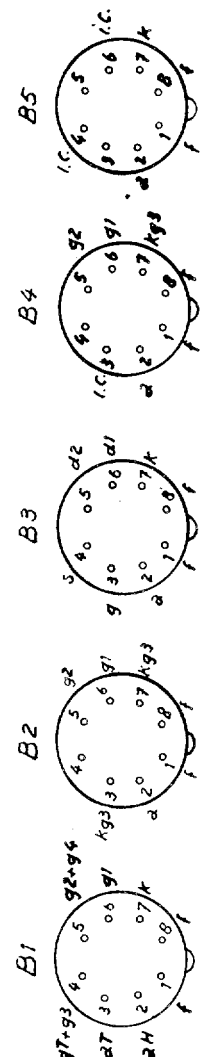


Fig. 8