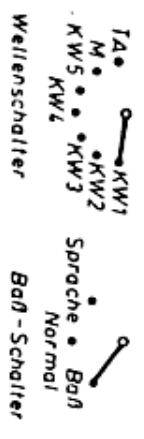
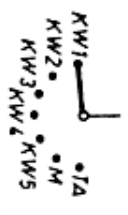


EAF 42

ECH 42

ZF = 483 kHz



Minerva 517 E

Wellenschalter

Sprache

Ban

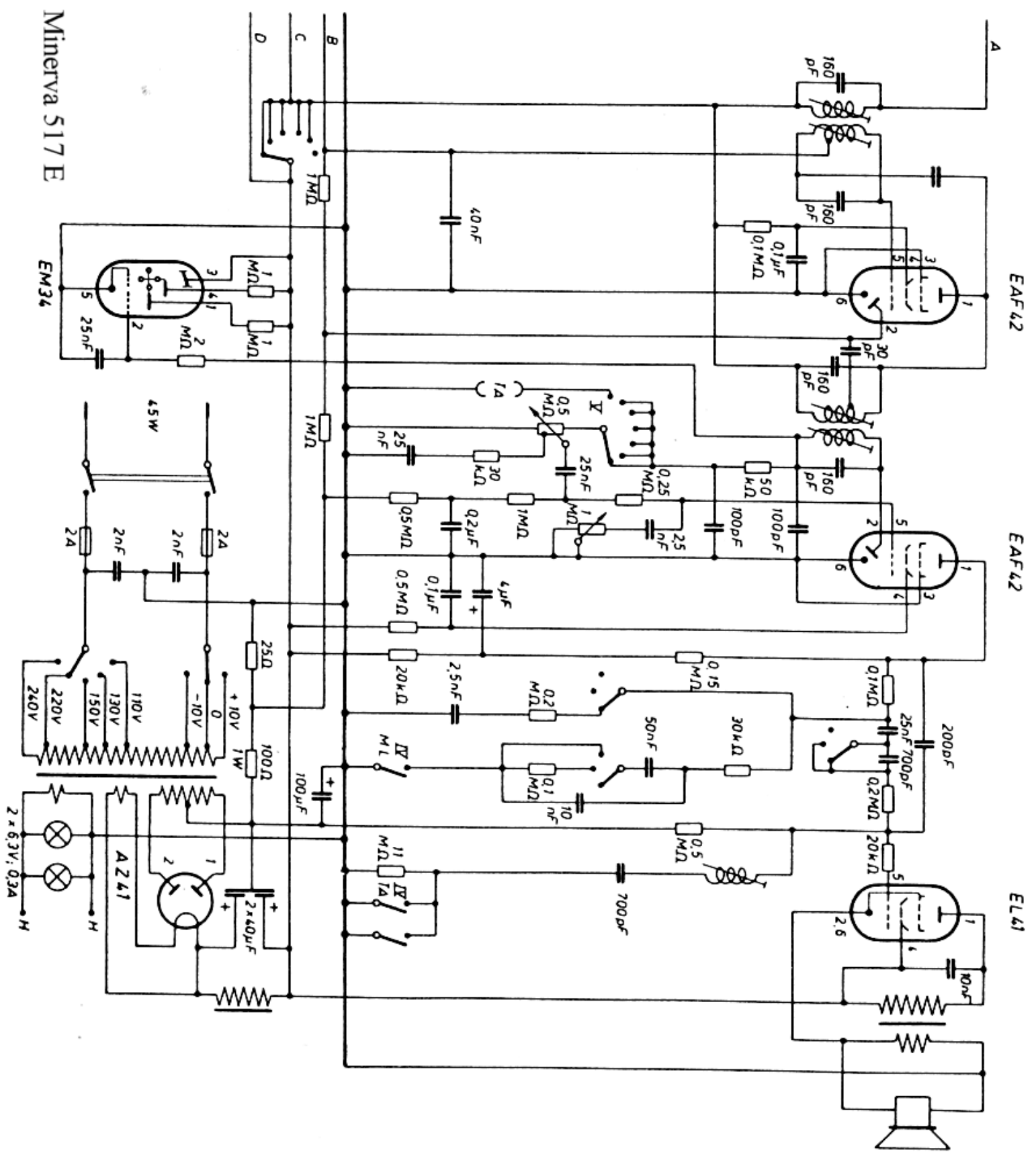
Ban-Schalter

A

B

C

D



Minerva 517 E

EAF42

EAF42

EL41

EM34

2 x 6.3V, 0.3A

45W

2A

100Ω, 1W

2 x 40μF

25Ω

2.5Ω

0.5MΩ, 0.2MΩ, 0.1MΩ, 0.05MΩ, 0.01MΩ, 0.001MΩ

10nF, 2.5nF, 0.5nF, 0.2nF, 0.1nF

100μF, 200pF, 700pF, 250pF, 160pF, 100pF, 50pF, 25pF, 10pF, 4μF, 2μF, 1μF, 0.5μF, 0.2μF, 0.1μF, 0.05μF, 0.01μF, 0.001μF