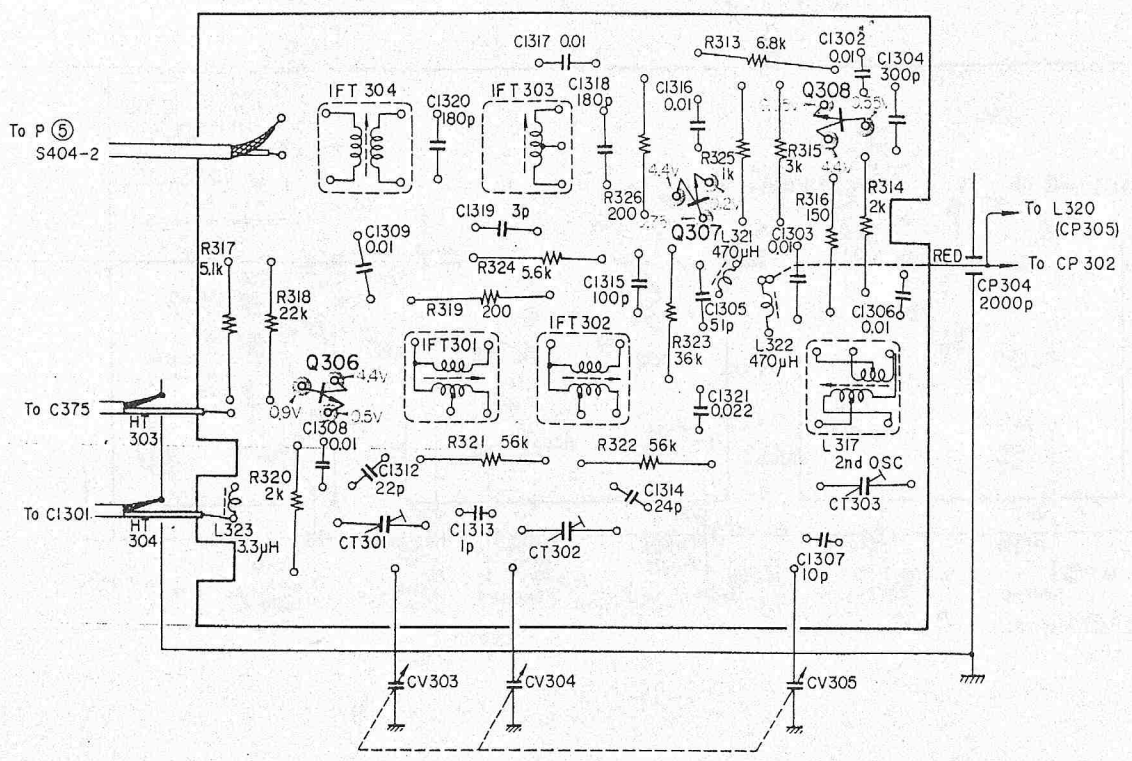


— Conductor Side —



— Component Side —

