

Adjusting	Rf Signal Generator Frequency	Receiver Tuning Knob Setting	Adjust	Remarks
SW 19 Frequency Coverage	29.2 MHz	Fully counterclockwise	SW 19 osc coil L341	Band Selector: SW 19
SW 19 Tracking	29.7 MHz	Tune to 29.7 MHz signal	SW 19 ant trimmer CT321, SW 19 rf trimmer CT339	Adjust for maximum meter reading on VTVM.

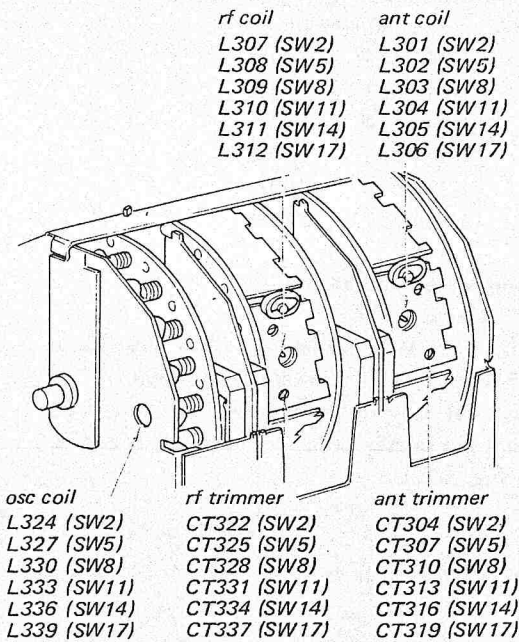


Fig. 3-16 Adjusting parts location for SW2, SW5, SW8, SW11, SW14 and SW17

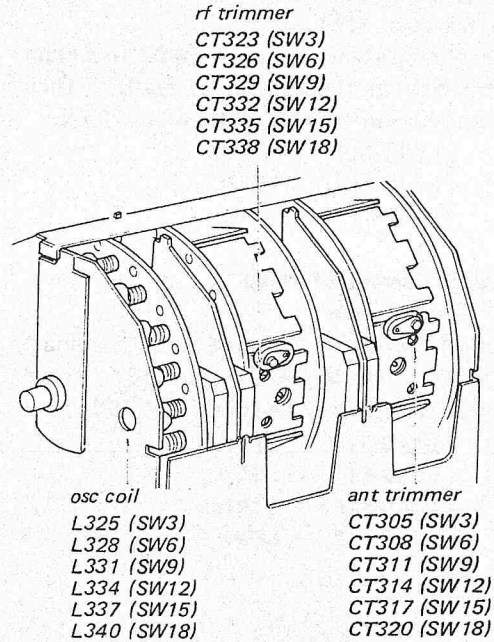


Fig. 3-17 Adjusting parts location for SW3, SW6, SW9, SW12, SW15 and SW18

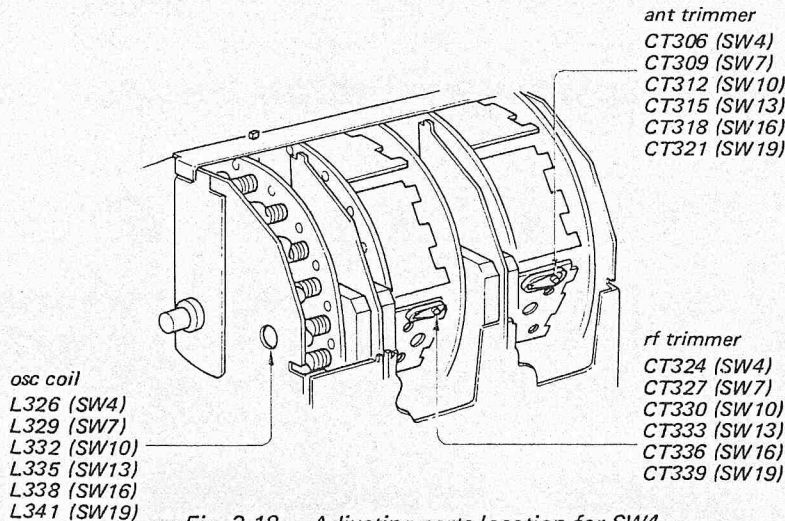


Fig. 3-18 Adjusting parts location for SW4, SW7, SW10, SW13, SW16 and SW19