

## SECTION 2 DISASSEMBLY

### 2-1. REAR COVER REMOVAL

1. Remove the six screws marked (A) in Fig. 2-1.
2. Remove the rear cover in the direction shown by the arrow (B).
3. Remove the two wood screws marked (C) in Fig. 2-1.

### 2-2. CABINET REMOVAL

1. Remove the four screws marked (1) in Fig. 2-1.
2. Push up the three telescopic antennas' bottom.
3. Remove the six screws marked (2) and (3) in detail (1) and (3) of Fig. 2-1.
4. Unsolder the coaxial cable and the three lead wires shown in detail (1) and (3) of Fig. 2-1.
5. Loosen the three set screws fixing band selector knob shown in detail (2) of Fig. 2-1 and pull out the band selector knob.

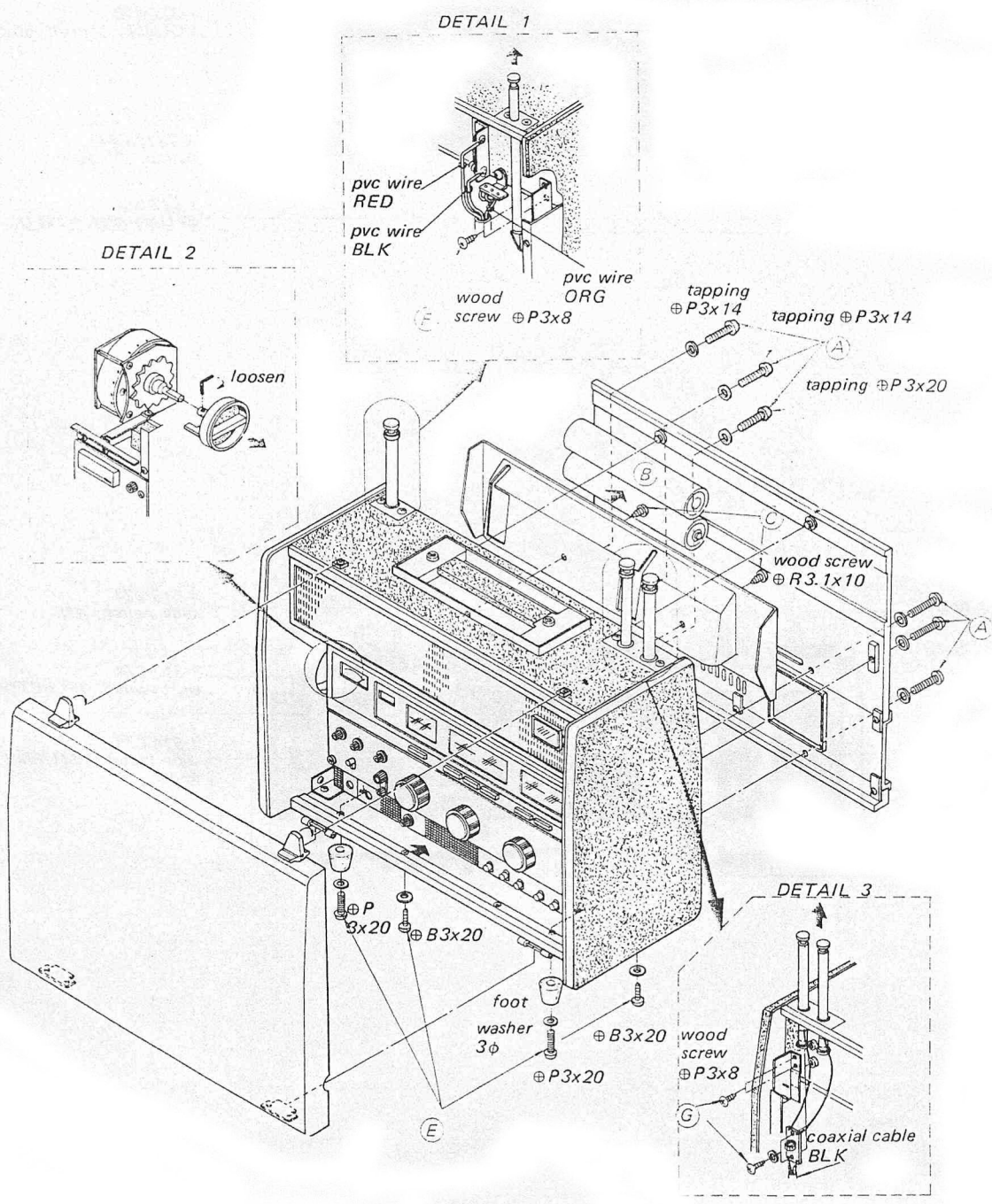


Fig. 2-1