

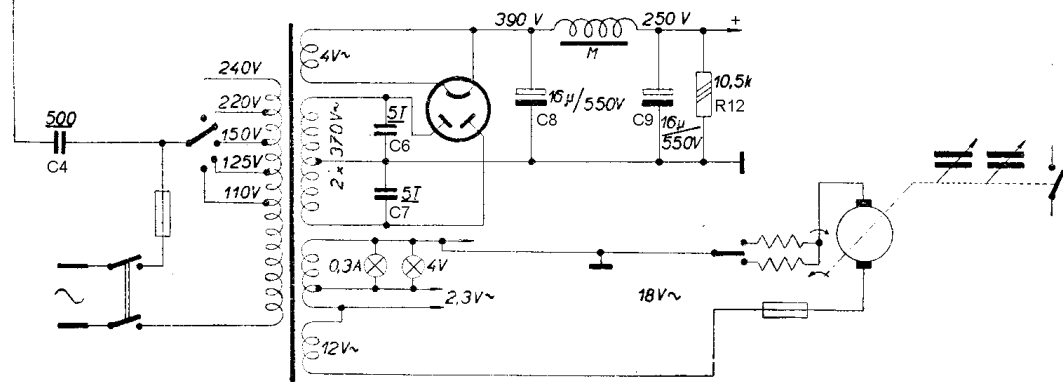
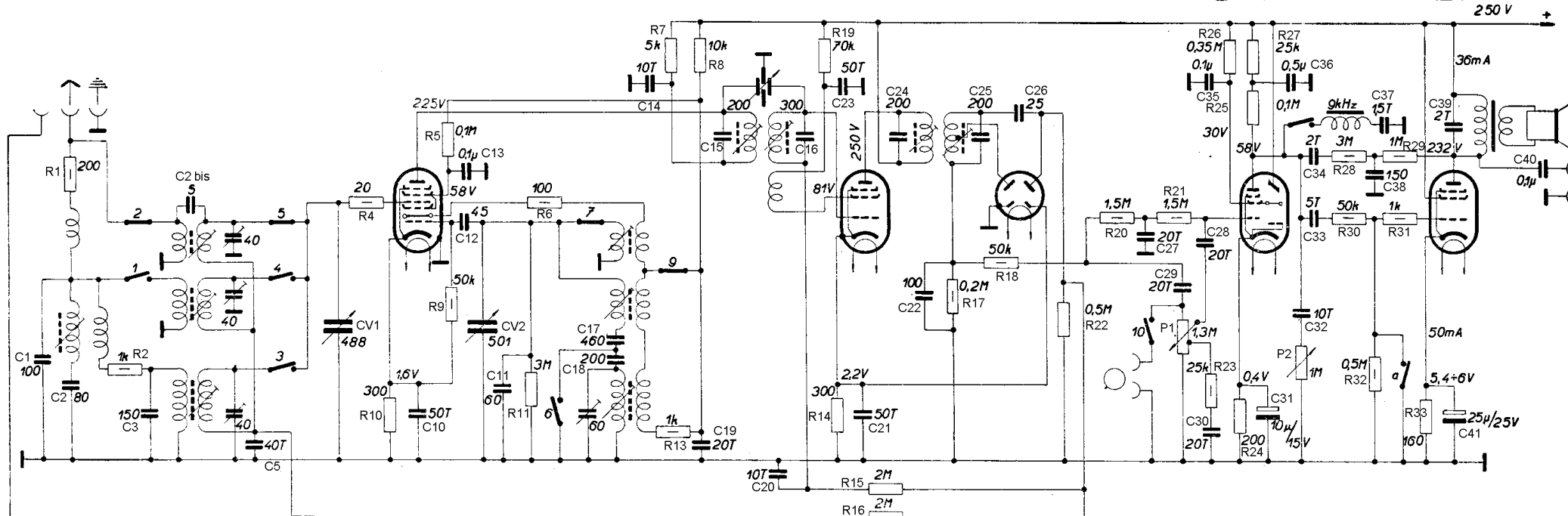
EK2

EFM1

EBM1

EFMM1

AL4



AZ1

	1	2	3	4	5	6	7	8	9	10
19-50m		●			●		●	●		
200-600m	●			●		●				
700-2000m			●							
○					●					●

$R_{VOLTM} = \sqrt{33\Omega/V}$

a ZAPNE PŘI BĚHU MOTORKU
"a" is switched on during engine moves

IDEAL RADIO TROUBADOUR S668M

1938/39

MF = 491kHz