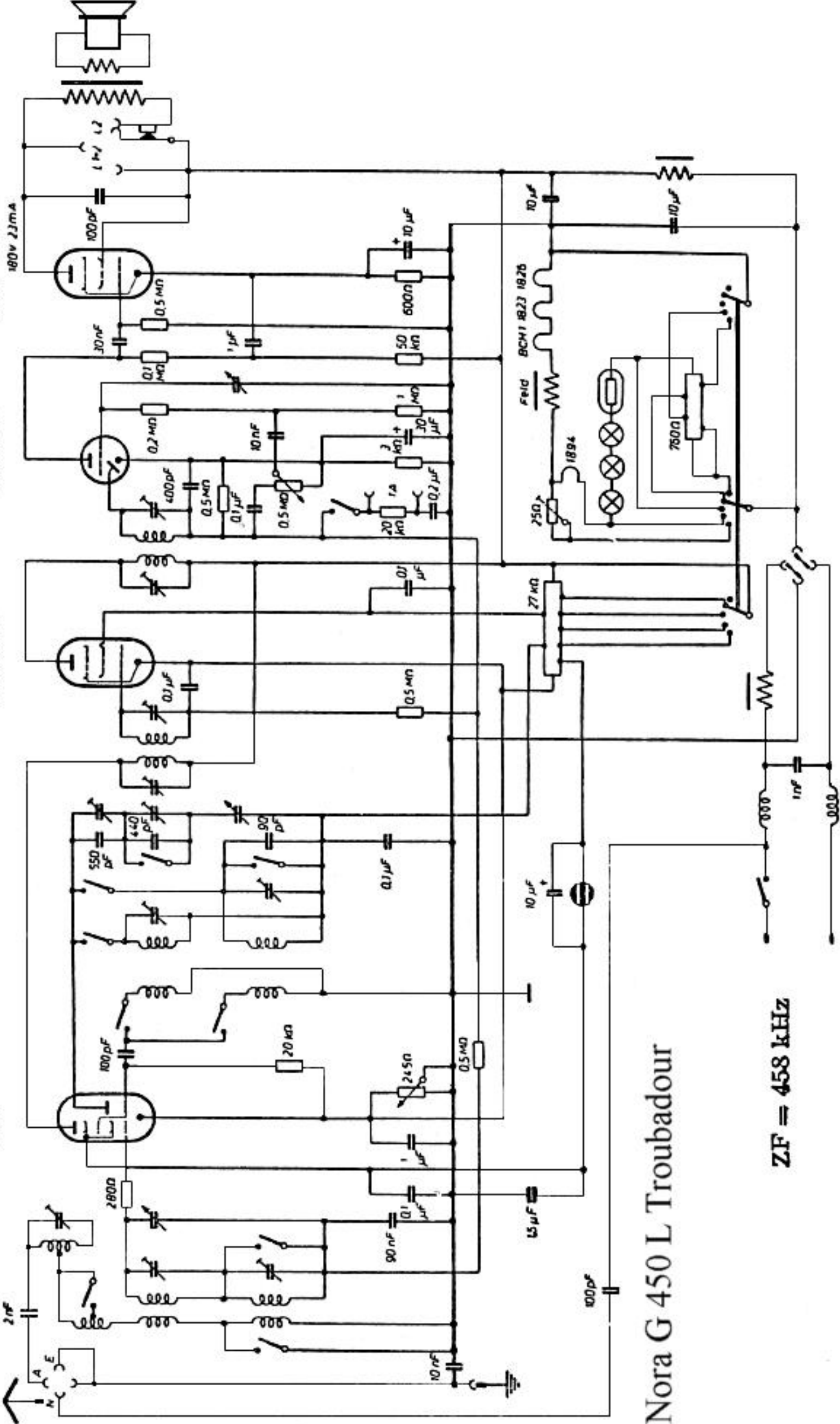


BCH 1

RENS 1894

REN 1826

RENS 1823 d



Nora G 450 L Troubadour

ZF = 458 kHz