

# TEAC®

## A-6100/A-6300

STEREO TAPE DECKS

### PARTS LIST



## TEAC CORPORATION

Effective : October, 1974  
Latest Revision No. : E-734

5103/481-01

---

## CONTENTS

PARTS ORDERING INFORMATION .....	4
PARTS LIST AND EXPLODED VIEWS	
1. Trim and Cabinet Parts .....	6
2. Head Assembly (A-6100) .....	8
3.     "           (A-6300) .....	10
4. Left Tension Arm Assy .....	12
5. Right Tension Arm Assy .....	13
6. Capstan Drive Assembly .....	14
7. Reel Drive Assemblies (A-6100) .....	16
8.     "           (A-6300) .....	18
9. Cue and Pinch Roller Assy (A-6100) .....	20
10. Pinch Roller Assembly (A-6300) .....	22
11. Preamplifier, Front Section .....	24
12. Preamplifier, Rear Section .....	26
13. Supplied Accessories .....	28
PRINTED CIRCUIT BOARD PARTS LIST	
1. Mic/Playback EQ Amplifier (A-6100) .....	30
2.     "           (A-6300) .....	32
3. Line Out/Phone Amplifier (A-6100) .....	34
4.     "           (A-6300) .....	36
5. Record/Meter Amplifier (A-6100) .....	38
6.     "           (A-6300) .....	40
7. Control Relay (A-6100) .....	42
8.     "           (A-6300) .....	44
9. Power Supply (A-6100) .....	46
10.    "           (A-6300) .....	48
11. Bias Oscillator .....	50
12. Terminal PC Board .....	51
13. Peak Level Indicator Ampl. ....	52
14. Mic Attenuator .....	53
15. Head PC Board .....	54
HARDWARE NOMENCLATURE .....	55

---

## **PARTS ORDERING INFORMATION**

Replacement parts are available through your nearest TEAC Authorized Service Center or directly from the TEAC office, the address of which is written on the back cover.

Changes are constantly being made to make TEAC products better and more reliable.

Therefore, when ordering parts, always include the following information:

- |                   |                    |
|-------------------|--------------------|
| 1. MODEL          | 4. DESCRIPTION     |
| 2. FIG.REF.NO.    | 5. UNIT SERIAL NO. |
| 3. TEAC PARTS NO. | 6. MANUAL CODE NO. |

### **NOTICE REGARDING PARTS ORDERS**

1. The Schematic Diagram Circuit Reference Numbers should not be used for ordering parts. Use of those numbers will result in confusion and might bring you the wrong part. To insure the correct part from your order, always use the TEAC PARTS NUMBER and include all information as requested above.
2. To insure rapid parts identification and thus rapid delivery of the part you desire, always include the MANUAL CODE NUMBER with each part or group of parts from a specific manual. This Manual Code Number is printed on the lower right-hand corner of the Parts List Manual, front page.
3. In some instances, individual minor parts are not available. In such a case, the entire assembly including the part requested will be sent to you.

### **MARKET MODEL IDENTIFICATION ABBREVIATIONS**

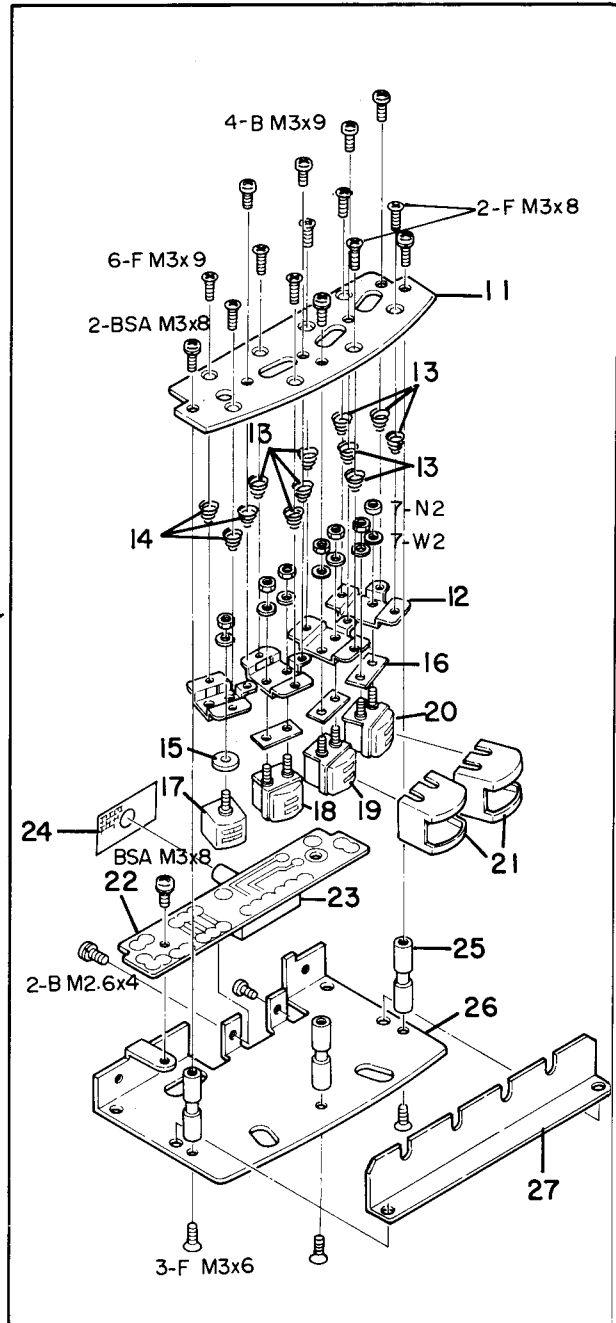
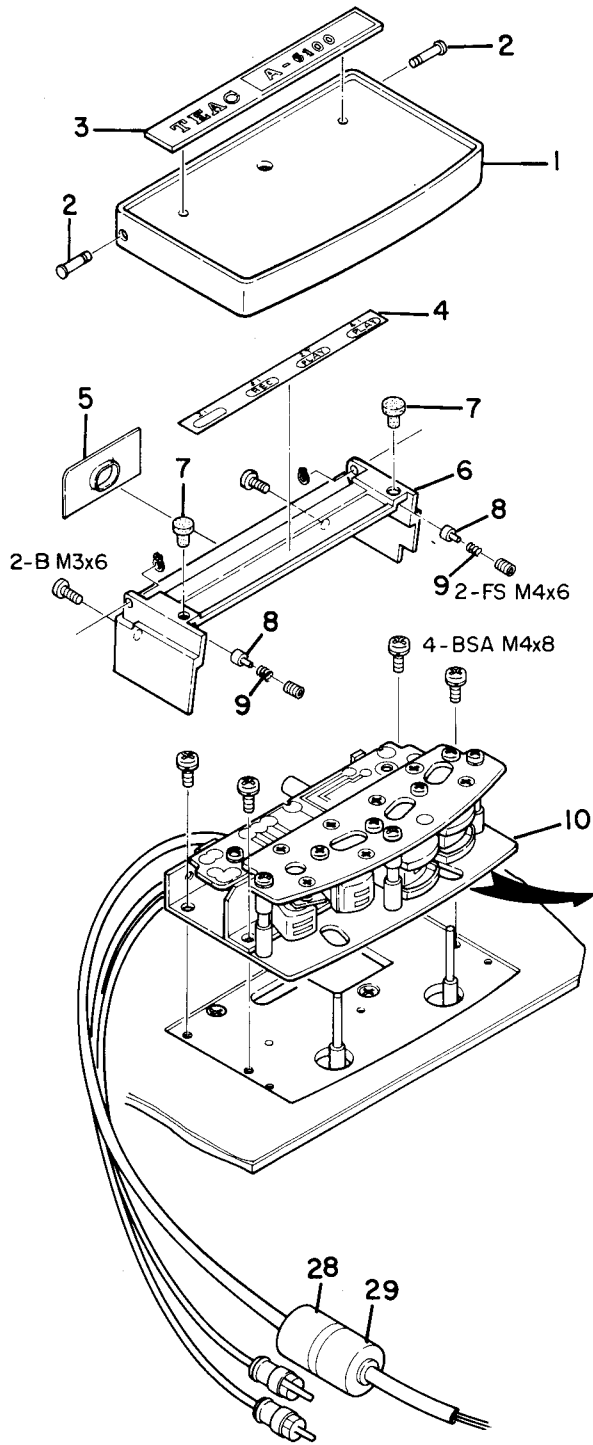
- DM: For only domestic (Japan) market decks.
- EX: For all export versions (except TCA or Japan).
- TCA: For TCA (TEAC Corporation of America, U.S.A.) versions only.

**PARTS LIST AND EXPLODED VIEWS**  
**A-6100 / A-6300**



REF. NO.	TEAC PARTS NO.	DESCRIPTION	REMARKS
1-1	50112980	Grille Assy, Top	
1-2	55520050	Panel, Trim (A-6100)	
	55520060	" , " (A-6300)	
1-3	50277020	Cover, Counter	
1-4	55520070	Panel, Chassis	
1-5	55040120	Sideboard	
1-6	50276930	Washer, Trim	
1-7	55030080	Panel Assy, Side; R	
1-8	55030070	" , " ; L	
1-9	50235312	Angle, Rear Cover	
1-10	55340150	Feet, Case	
1-11	55530180	Cover, Rear	
1-12	55040130	Cover Assy, Bottom	

## 2. HEAD ASSEMBLY (A-6100)

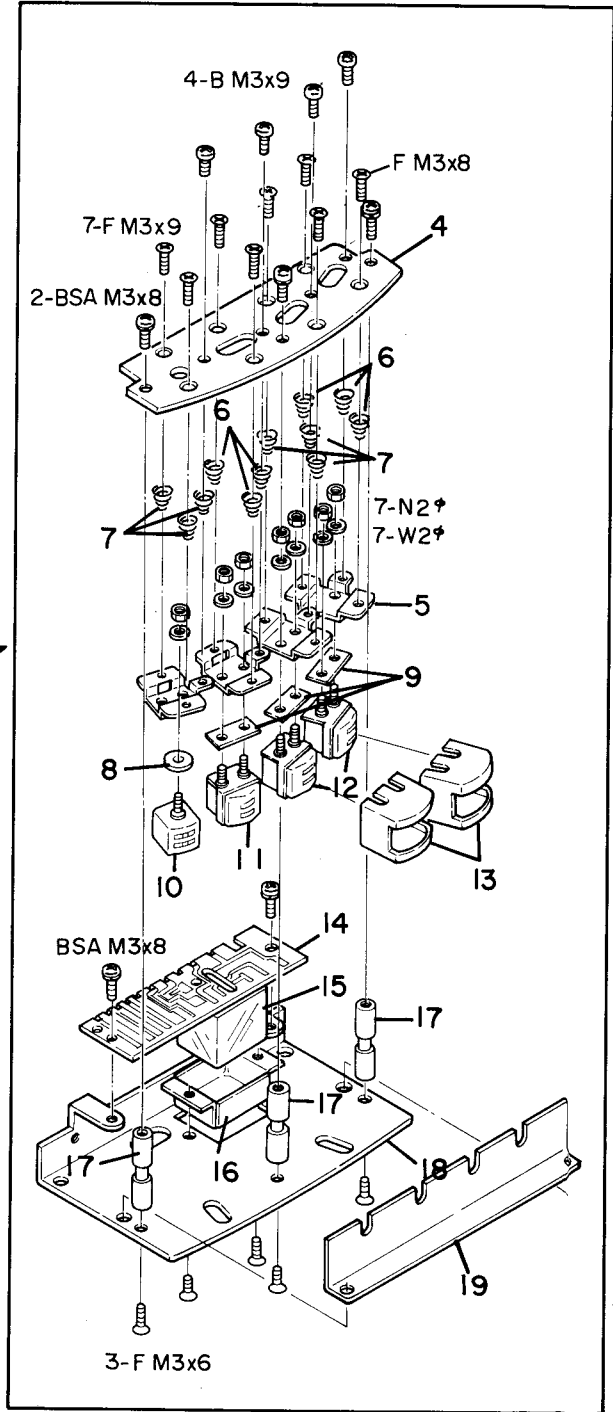
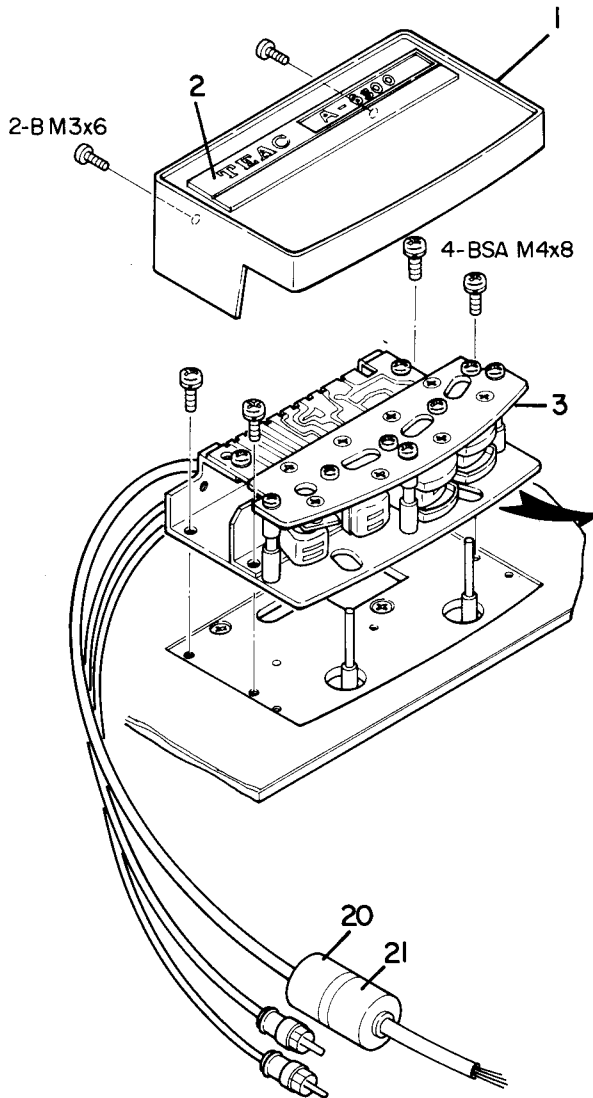


E-115

REF. NO.	TEAC PARTS NO.	DESCRIPTION	REMARKS
2-1	55330010	Head Housing, A	
2-2	55440240	Pin, Head Housing	
2-3	55308770	Name Plate [A-6100]	
2-4	55540620	Seal, Head Identification	
2-5	55540630	Plate, Playback Head Selector	
2-6	55330020	Head Housing, B	
2-7	55305390	Cushion, Rubber	
2-8	55340120	Shaft, Push	
2-9	55202260	Spring, Push	
2-10	55903250	Head Assy, A-6100	
2-11	55501331	Plate, Head Base	
2-12	50134371	Plate, E•R•P Head	
2-13	55201820	Spring, Head; D	
2-14	50220500	" , " ; B	
2-15	50136540	Spacer, Erase Head	
2-16	55501510	Spacer, Head; A	
2-17	50662030	Head, Erase (2T-2CH)	
2-18	50664520	" , Record (2T-2CH)	
2-19	50664530	" , Playback (2T-2CH)	
2-20	50664550	" , " (4T-2CH)	
2-21	50133891	Shield, Head; A	
2-22	51681390	PC Bd. Assy, Head	
2-23	50444720	SW, Slide; Playback Head Selector	
2-24	50829850	Mask, SW	
2-25	50182672	Pin, Tape Guide	
2-26	55530130	Plate, Housing Base	
2-27	55541060	Bracket, Protector; B	
2-28	50432740	Connector, 9P (Plug)	
2-29	50435080	" , " (Socket)	



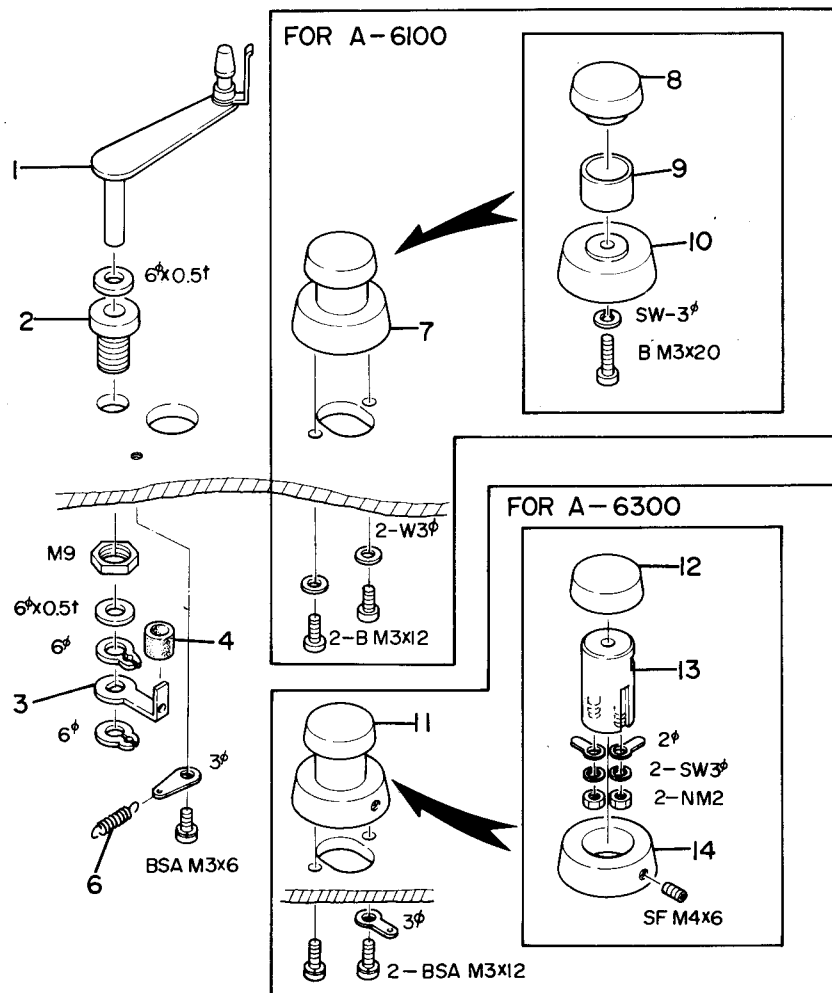
### 3. HEAD ASSEMBLY (A-6300)



E-121

REF. NO.	TEAC PARTS NO.	DESCRIPTION	REMARKS
3-1	50136750	Head Housing	
3-2	55308750	Name Plate [A-6300]	
3-3	55903260	Head Assy, A-6300	
3-4	55501331	Plate, Head Base	
3-5	50134371	Plate, E•R•P Head	
3-6	55201820	Spring, Head; D	
3-7	50220500	" , " ; B	
3-8	50136540	Spacer, Erase Head	
3-9	55501510	Spacer, Head; A	
3-10	50663030	Head, Erase (4T-2CH)	
3-11	50664540	" , Record (4T-2CH)	
3-12	50664550	" , Playback (4T-2CH)	
3-13	50133891	Head Shield, A	
3-14	51681380	PC Bd, Assy, Head	
3-15	50611210	Relay, Head Selector (K8)	
3-16	50135780	Relay Holder	
3-17	50182672	Pin, Tape Guide	
3-18	55501351	Plate, Housing Base	
3-19	55501340	Bracket, Protector	
3-20	50432740	Connector, 9P (Plug)	
3-21	50435080	" , " (Socket)	

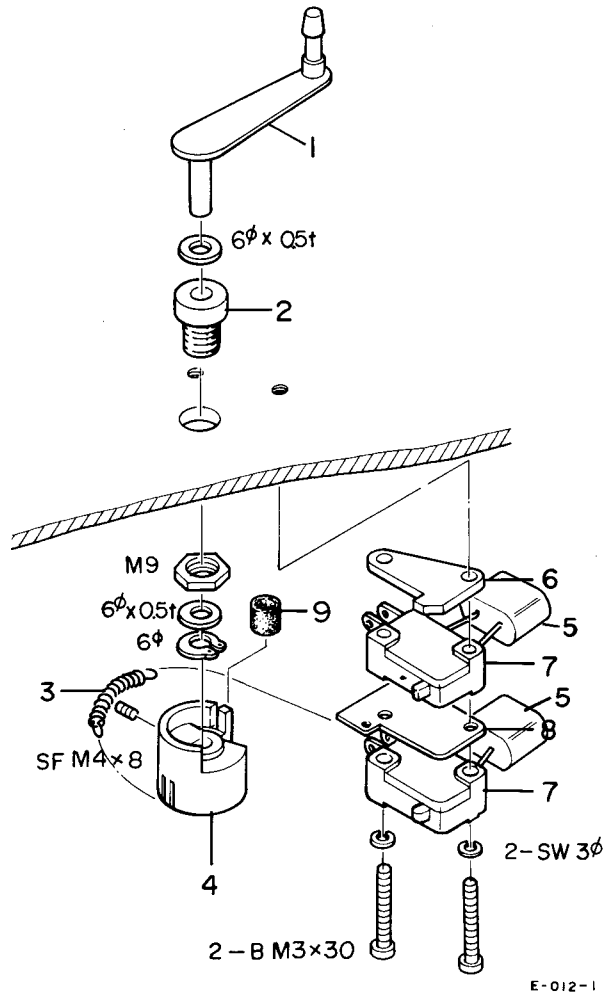
## 4. LEFT TENSION ARM ASSY



E-116

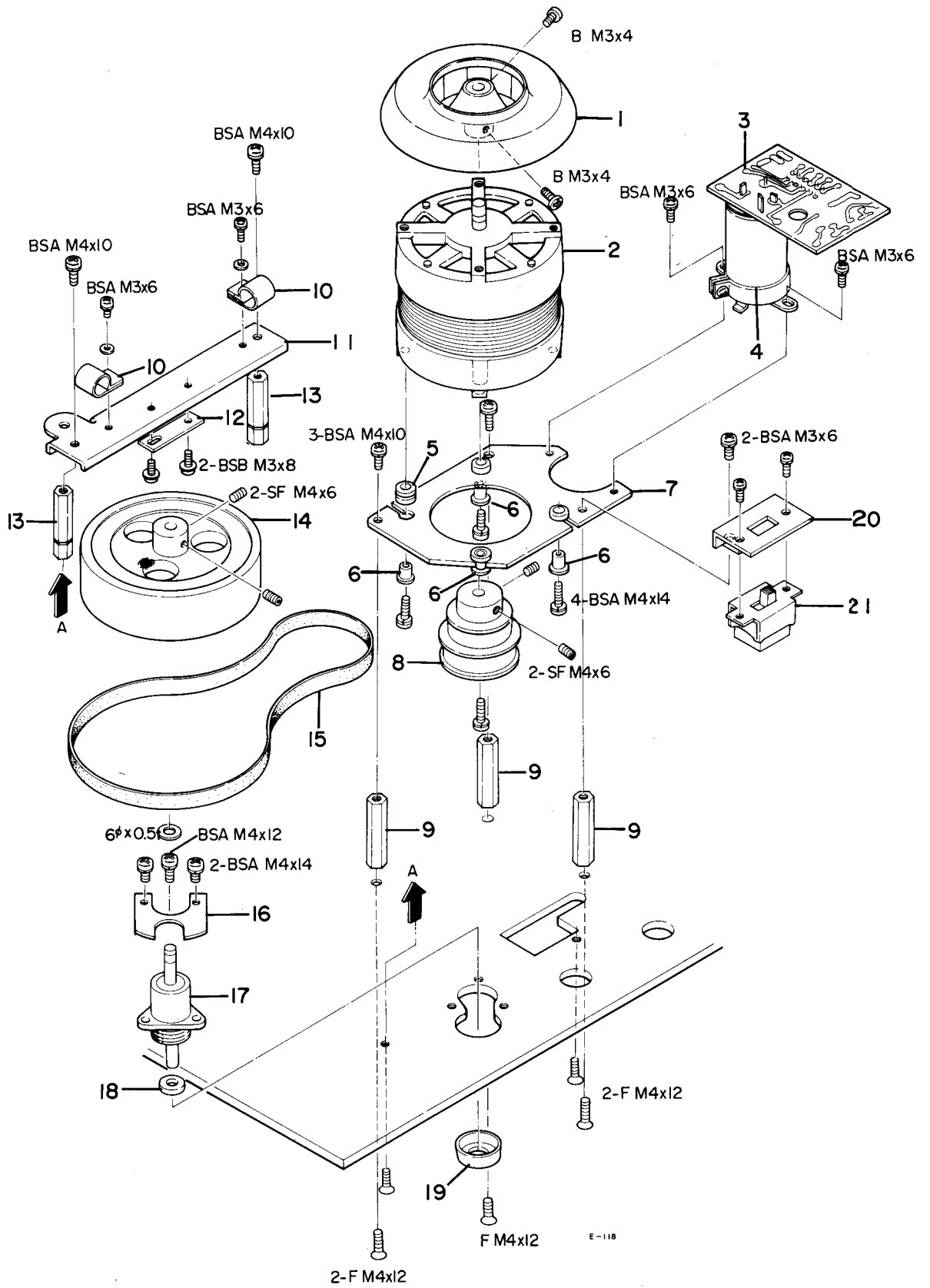
REF. NO.	TEAC PARTS NO.	DESCRIPTION	REMARKS
4-1	55040330	Tension Arm Assy, L	
4-2	55300831	Bushing, Arm; C	
4-3	50182750	Travel Limiter, Tension Arm	
4-4	50276990	Collar, Rubber	
4-5		(not used)	
4-6	50221110	Spring, B	
4-7	55040080	Guide Ring Assy (A-6100)	
4-8	55440280	Cap, Guide Ring	
4-9	55440290	Ring, Guide	
4-10	55440300	Guide Ring Base	
4-11	55000710	Guide Assy, Sensing (A-6100)	
4-12	55400870	Cap, Sensing	
4-13	55300820	Guide, Sensing	
	55400860	Sensing Bar	
4-14	55400850	Ring, Guide	

## 5. RIGHT TENSION ARM ASSY



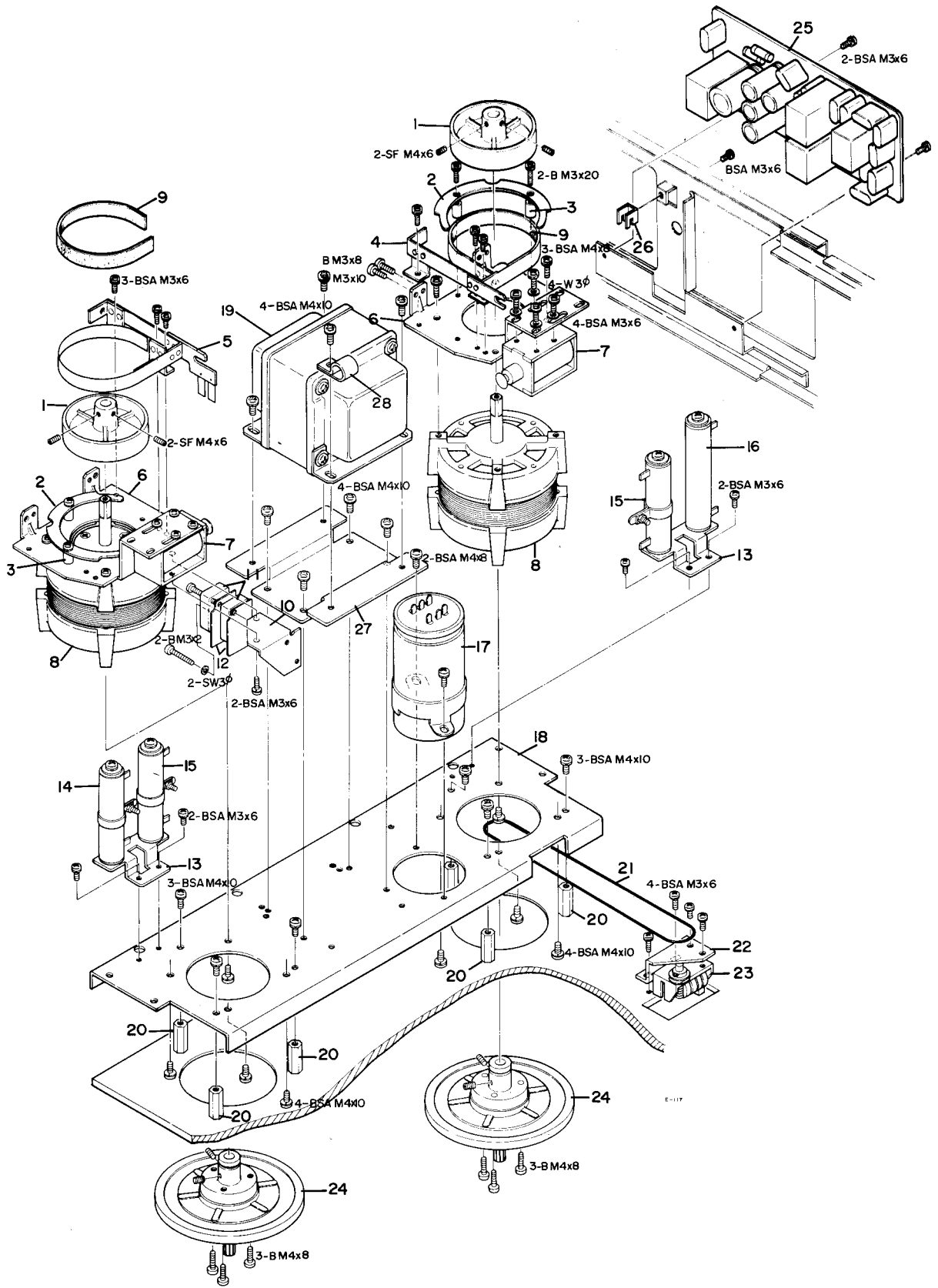
REF. NO.	TEAC PARTS NO.	DESCRIPTION	REMARKS
5-1	55000720	Tension Arm Assy	
5-2	55300831	Bushing, Arm; C	
5-3	50221122	Spring, C	
5-4	50183921	Drum, Tension Arm	
5-5	50529050	Spark Killer, 0.1 $\mu$ F + 120 $\Omega$ 400V	
5-6	50182730	Limit Stop, Right	
5-7	51300010	SW, Micro; V-1A44 (S2.3)	
5-8	50183931	Spacer, Insulator Paper	
5-9	55301430	Cushion, Rubber	

## 6. CAPSTAN DRIVE ASSEMBLY



REF. NO.	TEAC PARTS NO.	DESCRIPTION	REMARKS
6-1	50123983	Fan, Motor Cooling	
6-2	50701341	Motor, Capstan	
6-3	51681030	PC Bd. Assy, Terminal (w/o Cap.) (A-6300)	
	51681040	" " " (A-6100)	
6-4	50545650	MP, (2 + 0.8) $\mu$ F 250V	
6-5	50706211	Cushion, Rubber	
6-6	50332790	Spacer, Rubber Cushion	
6-7	50237520	Plate, Capstan Motor	
6-8	50124003	Pulley, Motor (50HZ/60HZ) (DM, EX)	
	50125121	" , " (60HZ) (TCA)	
6-9	50123850	Standoff, Capstan Motor	
6-10	55340410	Clamp, Wire	
6-11	55540580	Angle, Thrust; B	
6-12	50277232	Plate, Thrust	
6-13	50123860	Standoff, Flywheel	
6-14	50123802	Flywheel, Capstan	
6-15	50123830	Belt, Capstan (A-6300)	
	50125340	" , " (A-6100)	
6-16	50142190	Plate, Arm Support	
6-17	50120440	Capstan Assy (19cm/s) (A-6300)	
	50120450	" (38cm/s) (A-6100)	
6-18	50123900	Gasket, Rubber	
6-19	55400810	Cap, Dust (A-6300)	
	55440200	" , " (A-6100)	
6-20	50332380	Bracket, Slide SW (DM, EX)	
6-21	50444610	SW, Slide; Freq. Conv. (S13) (DM, EX)	

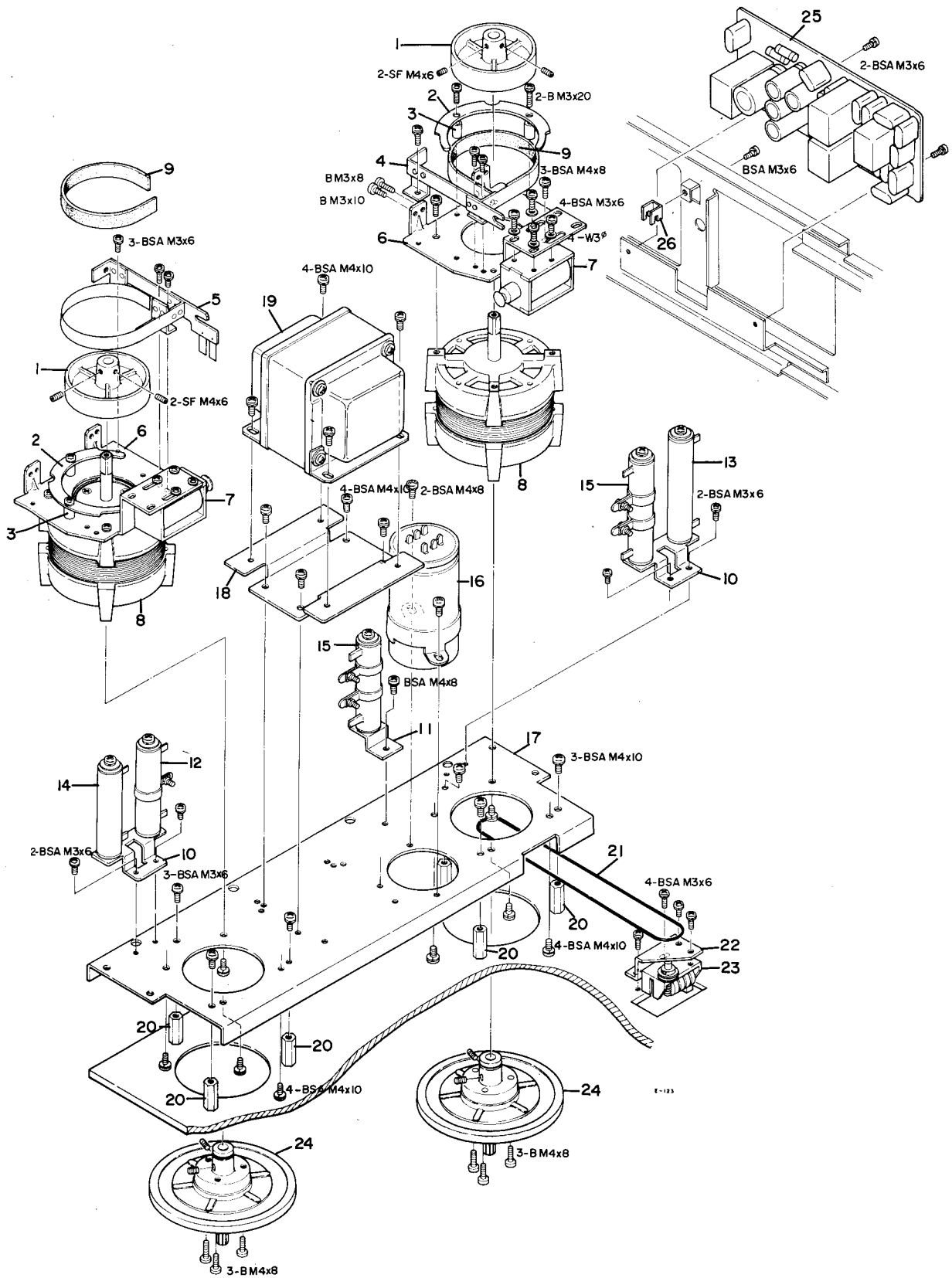
# 7. REEL DRIVE ASSEMBLIES (A-6100)



REF. NO.	TEAC PARTS NO.	DESCRIPTION	REMARKS
7-1	50173570	Drum, Brake	
7-2	50173481	Retainer, Brake Shaping	
7-3	50173490	Spacer, Brake Shaping Retainer	
7-4	50173331	Brake Band Assy, L	
7-5	50173610	" , P	
7-6	50173600	Plate, Reel Motor; P	
7-7	50616770	Solenoid, Brake	
7-8	71041070	Motor, Reel	
7-9	50173410	Felt, Brake	
7-10	50173640	Plate, Micro SW	
7-11	50446180	SW, Micro, V-1A44 (S10-11)	
7-12	50332680	Spacer, Insulator Paper	
7-13	55540570	Plate, Resistor	
7-14	50524412	Wire Wound, 100Ω 30HA (R10)	
7-15	50522280	" , 250Ω 30HA (R11)	
7-16	50522320	" , 600Ω 40H (R13)	
7-17	51700050	MP; (7 + 1.5)μF × 2 250V (C10-11)	
7-18	55520100	Chassis, Reel Motor	
7-19	50563450	Transformer, Power (DM)	
	50563470	" , " (EX)	
	50563500	" , " (TCA)	
7-20	50161950	Standoff, Reel Motor	
7-21	55340110	Belt, Counter	
7-22	50279970	Plate, Counter	
7-23	50585150	Counter, Index	
7-24	55040070	Reel Table Assy	
7-25	51681062	PC Bd. Assy, Power Supply (A-6100)	
7-26	55505310	Bracket, PC Board	
7-27	55540690	Plate, Transformer (EX)	
7-28	55340410	Clamp, Wire; A	

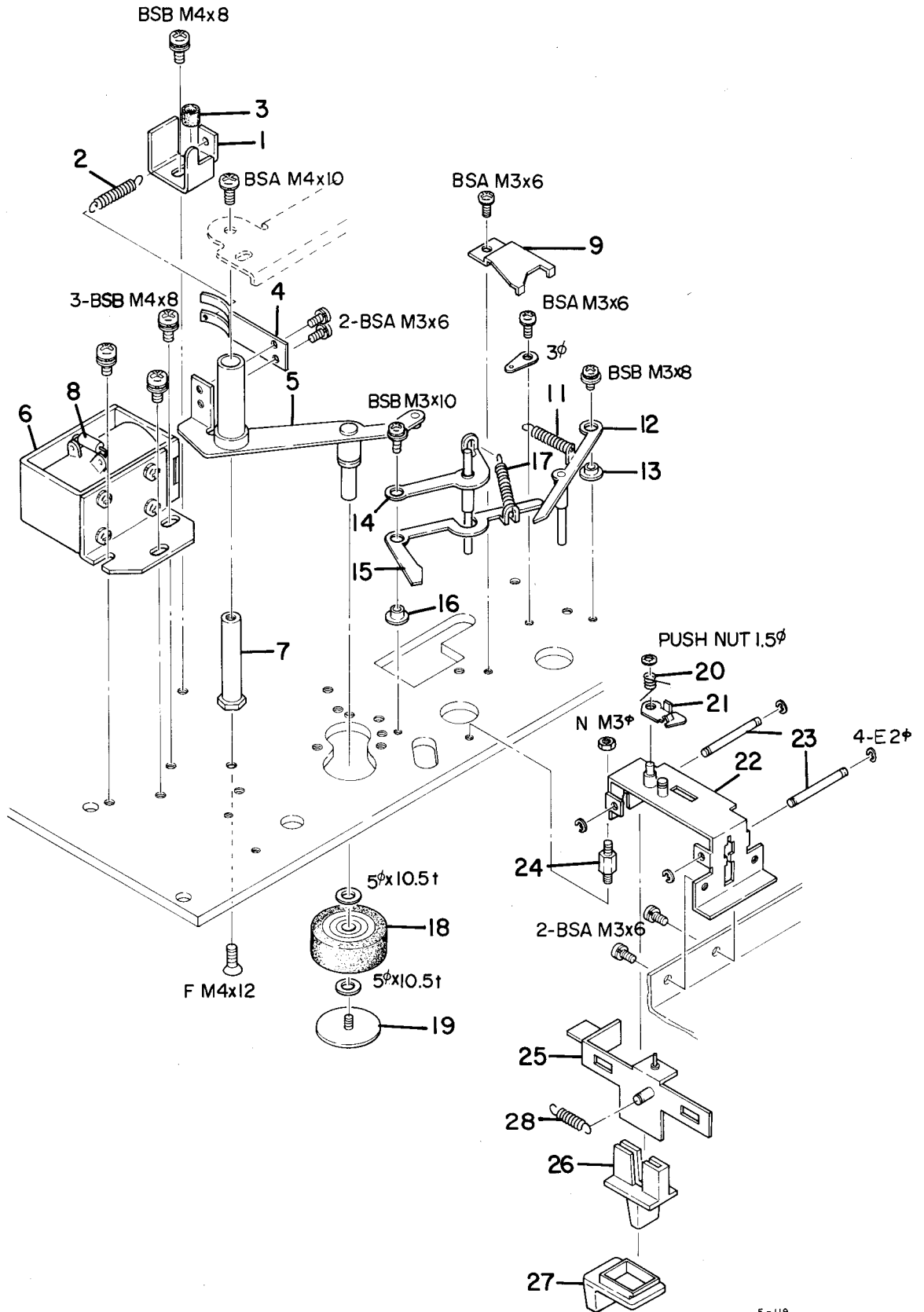


# 8. REEL DRIVE ASSEMBLIES (A-6300)



REF. NO.	TEAC PARTS NO.	DESCRIPTION	REMARKS
8-1	50173570	Drum, Brake	
8-2	50173481	Retainer, Brake Shaping	
8-3	50173490	Spacer, Brake Shaping Retainer	
8-4	50173331	Brake Band Assy, L	
8-5	50173610	" , P	
8-6	50173600	Plate, Reel Motor; P	
8-7	50166770	Solenoid, Brake	
8-8	71041070	Motor, Reel	
8-9	50173410	Felt, Brake	
8-10	55540570	Plate, Resistor	
8-11	50332900	Angle, Resistor	
8-12	50524460	Wire Wound, 130Ω 30HA (R18)	
8-13	50522320	" , 600Ω 40H (R26)	
8-14	50522400	" , 150Ω 40HAA (R19•25)	
8-15	50524470		
8-16	51700050	MP, (7 + 1.5)μF × 2 250V (C17•18)	
8-17	55520100	Chassis, Reel Motor	
8-18	55540690	Plate, Transformer (DM, EX)	
8-19	50563420	Transformer, Power (DM)	
	50563430	" , " (EX)	
	50563440	" , " (TCA)	
8-20	50161950	Standoff, Reel Motor	
8-21	55340110	Belt, Counter	
8-22	50279970	Plate, Counter	
8-23	50585150	Counter, Index	
8-24	55040070	Reel Table Assy	
8-25	51681022	PC Bd. Assy, Power Supply (A-6300)	
8-26	55505310	Bracket, PC Board	

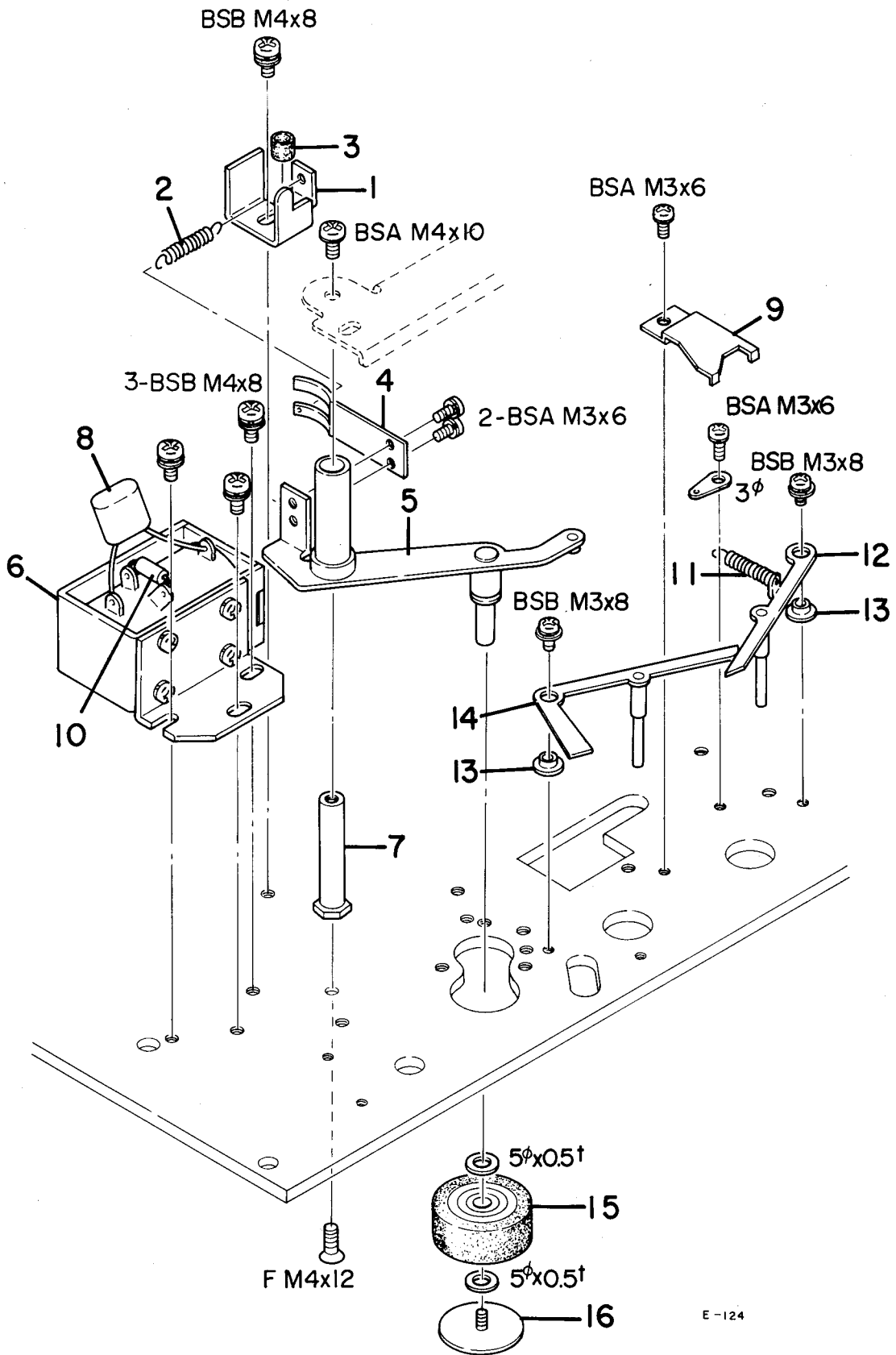
# 9. CUE AND PINCH ROLLER ASSY (A-6100)



E-119

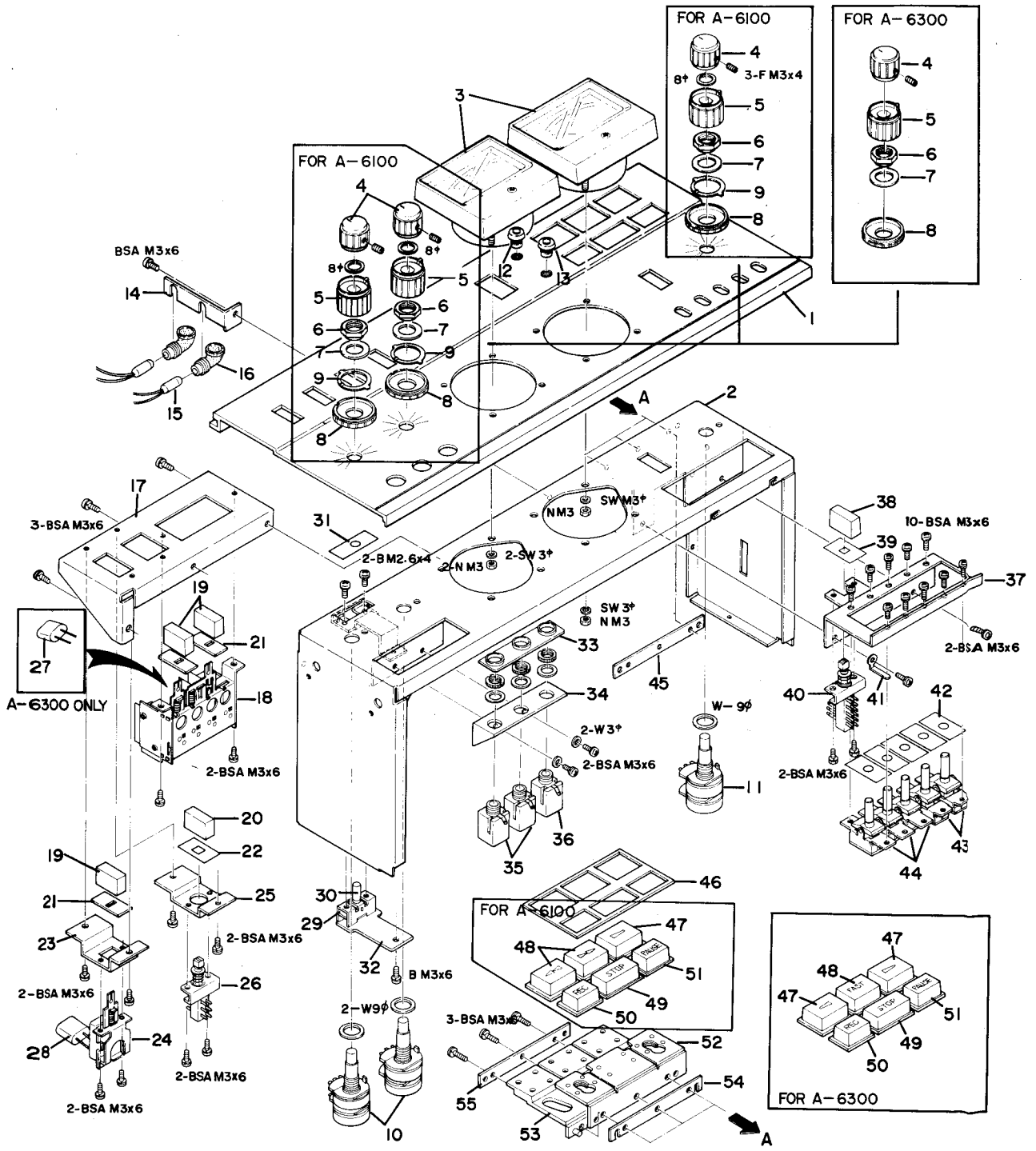
REF. NO.	TEAC PARTS NO.	DESCRIPTION	REMARKS
9-1	50141842	Limit Stop, Pinch Roller	
9-2	55240080	Spring, Return	
9-3	50275690	Cushion, Rubber	
9-4	55200620	Spring, Pressure; B	
9-5	55640160	Arm Assy, Pinch Roller	
9-6	51630040	Solenoid Assy, Pinch Roller	
9-7	50141821	Shaft, Roller Arm	
9-8	50422570	Diode, SIB01-06 (D18)	
9-9	55541120	Plate, Lifter; B	
9-10		(not used)	
9-11	50221100	Spring, Lifter; A	
9-12	55000740	Arm Assy, Lifter; R	
9-13	50152501	Shaft, Lifter Arm	
9-14	55040190	Lifter Assy, Cue	
9-15	55541180	Arm, Cue	
9-16	55440220	Shaft, Lifter Arm	
9-17	55200030	Spring	
9-18	50141751	Pinch roller	
9-19	50142180	Cap, Pinch Roller	
9-20	55200161	Spring, Pause Lock	
9-21	55500270	Plate, Pause Lock	
9-22	55040100	Guide Assy, Cue	
9-23	55440330	Shaft, Guide	
9-24	55440230	Stud, Cue	
9-25	55040110	Linkage Assy, Cue	
9-26	55305150	Lever, Cue	
9-27	55305300	Hook, Cue Lever	
9-28	55200030	Spring	

# 10. PINCH ROLLER ASSEMBLY (A-6300)



REF. NO.	TEAC PARTS NO.	DESCRIPTION	REMARKS
10-1	50141842	Limit Stop, Pinch Roller	
10-2	50220441	Spring, Return	
10-3	50275690	Cushion, Rubber	
10-4	55200620	Spring, Pressure; B	
10-5	55640160	Arm Assy, Pinch Roller	
10-6	50616691	Solenoid Assy, Pinch Roller	
10-7	50141821	Shaft, Roller Arm	
10-8	50529050	Spark Killer, 0.1 $\mu$ F + 120 $\Omega$ 400V	
10-9	55540610	Plate, Lifter	
10-10	50422570	Diode, SIB01-06 (D15)	
10-11	50221100	Spring, Lifter; A	
10-12	55000740	Arm Assy, Lifter, R	
10-13	50152501	Shaft, Lifter Arm	
10-14	55000730	Arm Assy, Lifter, L	
10-15	50141751	Pinch Roller	
10-16	50142180	Cap, Pinch Roller	

# 11. PREAMPLIFIER, FRONT SECTION

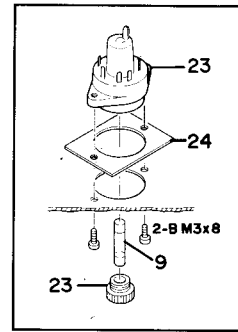
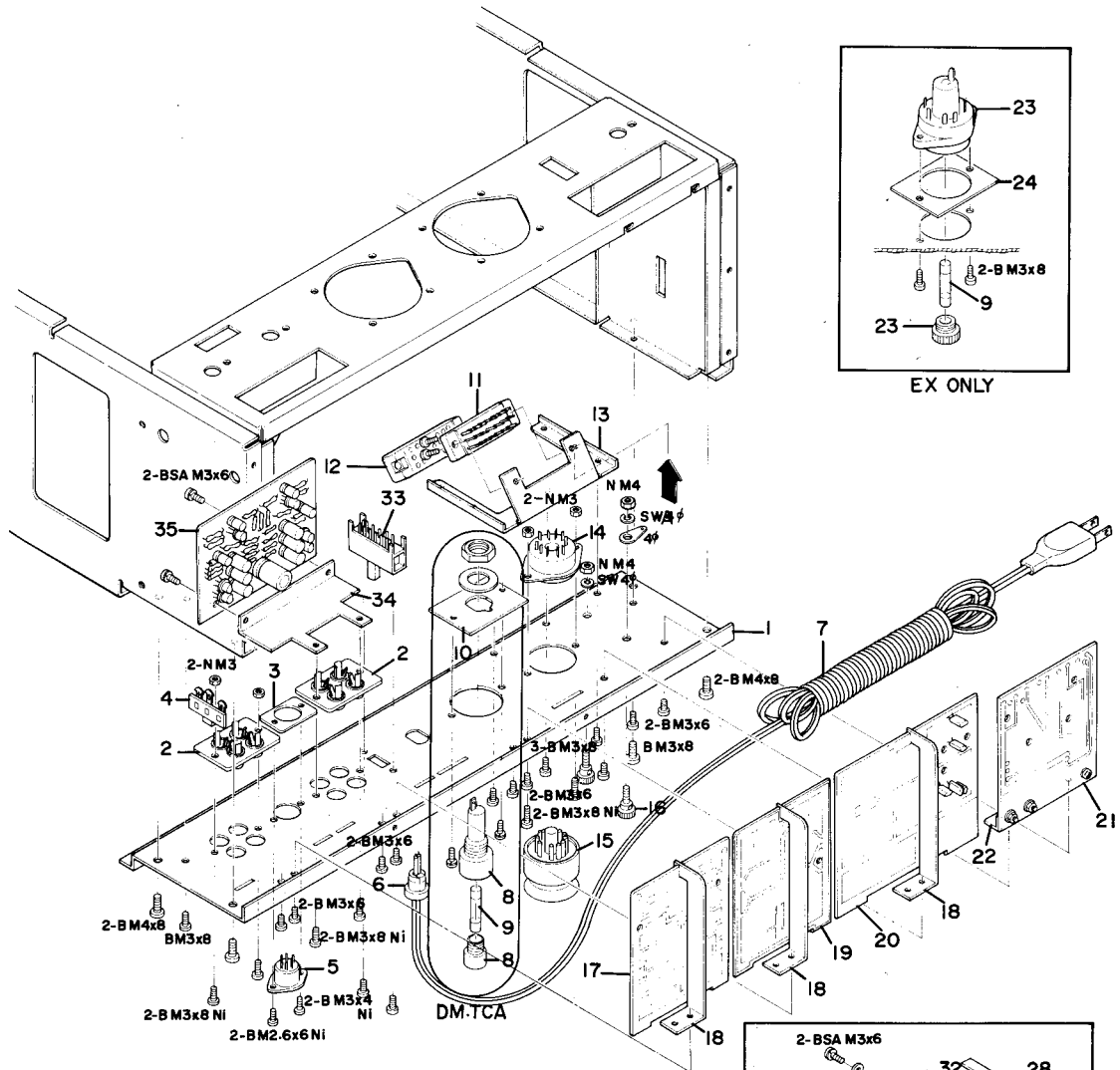


E-120

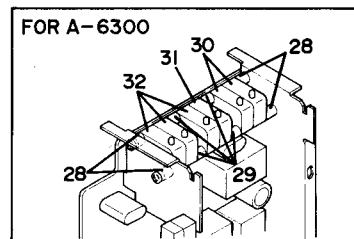
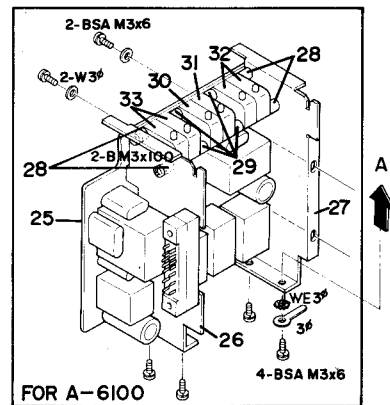
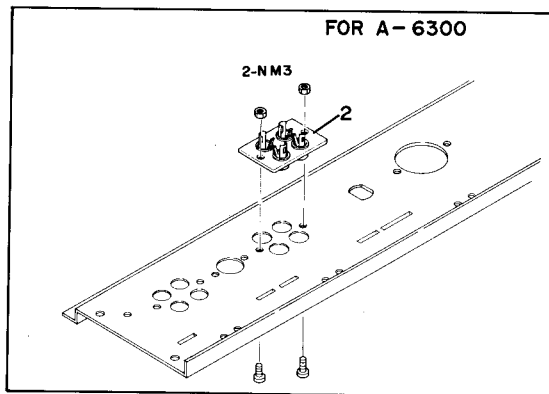
REF. NO.	TEAC PARTS NO.	DESCRIPTION	REMARKS
11-1	55020041	Panel, Ampl. Trim (A-6100)	
	55020031	" , " (A-6300)	
11-2	55020050	Chassis, Ampl. Assy; A (A-6100)	
	55020060	" , " ; B (A-6300)	
11-3	50581470	VU Meter (A-6100)	
	50581480	" (A-6300)	
11-4	55440581	Knob, Upper	
11-5	55040350	" , B (A-6100)	
	55040340	" , Lower (A-6300)	
11-6	55400821	Lock Nut	
11-7	55200610	Washer, Wave	
11-8	55340130	Guide, Memory Marker (A-6100)	
	55300750	" , " (A-6300)	
11-9	55202270		
11-10	50537100	VR, 10k $\Omega$ , $\times$ 2; MIC/LINE	
11-11	50537250	" , 100k $\Omega$ A $\times$ 2; OUTPUT (VR501/504) (A-6100)	
	50537090	" , " ; " ( " ) (A-6300)	
11-12	55040510	Cover, Lamp; PAUSE (Green)	
11-13	55040520	" , " ; RECORD (Red)	
11-14	55540660	Bracket, Lamp	
11-15	50414600	Lamp, Pilot	
11-16	50415241	Holder, Lamp	
11-17	55530161	Bracket, SW	
11-18	50443902	SW Assy, Selector, REEL/SPEED (SW509/S12 $\cdot$ SW502)	
11-19	50253530	Button, D	
11-20	55340140	Button	
11-21	50253880	Mask, SW	
11-22	55501280	" , "	
11-23	55501161	Plate, Power SW	
11-24	50443870	SW, Double Action; POWER (S1) (DM, EX)	
	50444500	" , " ; " ( " ) (TCA)	
11-25	55540650	Plate, Memory SW	
11-26	50443940	SW, Push; MEMORY	
11-27	50549920	Metalized Mylar, 0.1 $\mu$ F 400V AC (A-6300)	
11-28	50529050	Spark Killer, 0.1 $\mu$ F + 12 $\Omega$ 400V (DM, EX)	
	50529060	" , 0.033 $\mu$ F + 12 $\Omega$ 400V (TCA)	
11-29	50447450	SW, Lever; ATT (SW511) (A-6100)	
11-30	55440400	Knob, Lever; C	
11-31	55540760	Mask, SW; B	
11-32	51681110	PC Bd. Assy, Mic. Attenuator	
11-33	55300760	Insulator Mask, Jack	
11-34	55300770	Bracket, Jack Mounting	
11-35	50430240	Jack, Phone; 2-Wire, MIC	
11-36	50432450	" , " ; 3-Wire, PHONES	
11-37	55501191	Plate, Lever SW	
11-38	55300800	Button, MONITOR	
11-39	55501280	Mask, SW	
11-40	50444640	SW, Miniature Push; MONITOR (SW501)	
11-41	50939280	Clamp, B	
11-42	50829850	Mak, SW	
11-43	50447210	SW, Lever; 4PDT, RECORD MODE	
11-44	50447220	" , " ; DPDT	
11-45	50237291	Plate Nut, Retaining	
11-46	50239300	Rubber Protector, P	
11-47	50237201	Button, A [▶]	
11-48	50237211	" , B [▶▶] (A-6100)	
	55300721	" , FAST (A-6300)	
11-49	50237221	" , STOP	
11-50	55300731	" , REC	
11-51	55300741	" , PAUSE	
11-52	55340430	Hinge, A	
11-53	55340440	" , B	
11-54	50332720	Plate, Hinge Adjusting	
11-55	50253870	Plate, Retaining	



## 12. PREAMPLIFIER, REAR SECTION



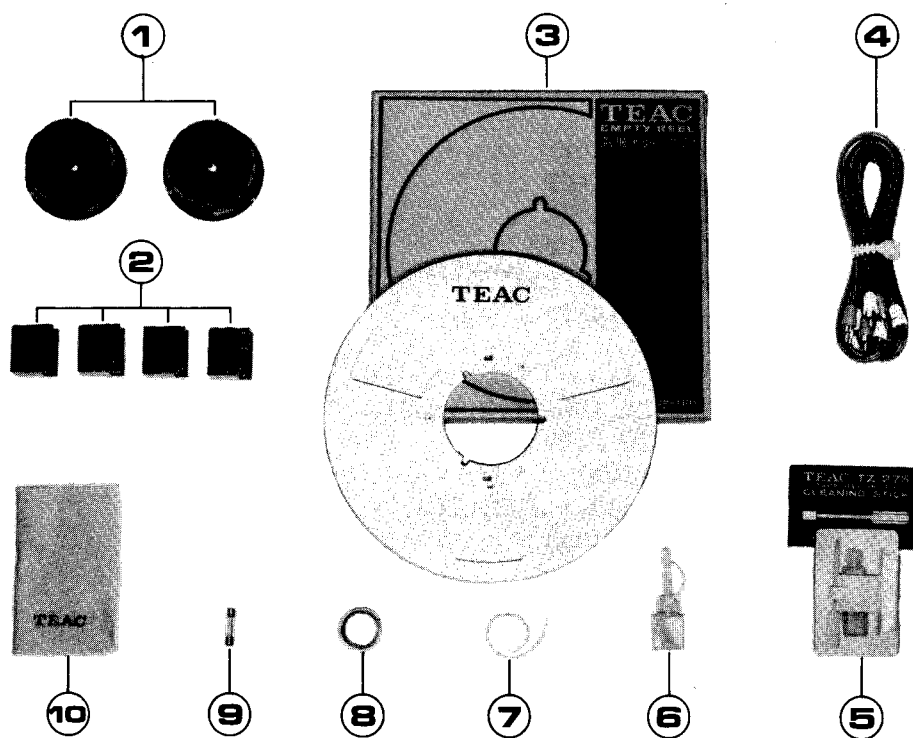
EX ONLY



E-121

REF. NO.	TEAC PARTS NO.	DESCRIPTION	REMARKS
12-1	55520130	Panel, Rear Connection, A (A-6100)	
	55520140	" , " , B (A-6300)	
12-2	50436580	Jack, Pin; 4P	
12-3	50233530	Plate, DIN Connector	
12-4	50452060	Terminal Strip, 1L-2P	
12-5	50430010	Connector, DIN	
12-6	55300470	Grommet, AC Power Cord	
12-7	50471652	Cord, AC Power (DM, EX)	
	50471661	" , " (TCA)	
12-8	50924500	Fuse Holder (DM)	
	50412280	" (TCA)	
12-9	50411140	Fuse, 2A (DM, EX 100-117V area)	
	50411010	" , 1A (EX-220 240V area)	
	50411340	" , 2A-250V (TCA)	
12-10	55501151	Adaptor, Fuse Holder (DM, TCA)	
12-11	50436590	Connector, 28P (Plug)	
12-12	50436600	" , " (Socket)	
12-13	55501270	Angle, PC Board	
12-14	50432700	Socket, 11P	
12-15	50433010	Plug, Dummy; 11P (A-6100)	
	50433000	" , " ; " (A-6300)	
12-16	50454071	Post, Grounding	
12-17	51681071	PC Bd. Assy, MIC/PB EQ Ampl. (A-6100)	
	51681351	" , " (A-6300)	
12-18	50233760	Plate, PC Board	
12-19	51681080	PC Bd. Assy, Line Out/Phone Ampl. (A-6100)	
	51681330	" , " (A-6300)	
12-20	51681091	" , Record/Meter Ampl. (A-6100)	
	51681361	" , " (A-6300)	
12-21	51681341	" , Bias Oscillator	
12-22	55501240	Angle, PC Board	
12-23	50435030	Voltage Selector, with Fuse (EX)	
12-24	55501500	Mask, Fuse (EX)	
12-25	51681051	PC Bd. Assy, Control Relay (A-6100)	
	51681011	PC Bd. Assy, Control Relay (A-6300)	
12-26	55530141	Bracket, PC Board Re-inforcing, L	
12-27	55530150	" , " , R	
12-28	55400840	Spacer, A	
12-29	50237160	"	
12-30	50446560	SW, Micro; VV-15-1A	
12-31	50446570	" , " ; VV-15-2A	
12-32	50446580	" , " ; VV-15-3A	
12-33	50440000	" , Slide (A-6100)	
12-34	55540680	Angle, PC Board; P (A-6100)	
12-35	51681371	PC Bd. Assy, Peak Level Indicator Ampl. (A-6100)	

### 13. SUPPLIED ACCESSORIES

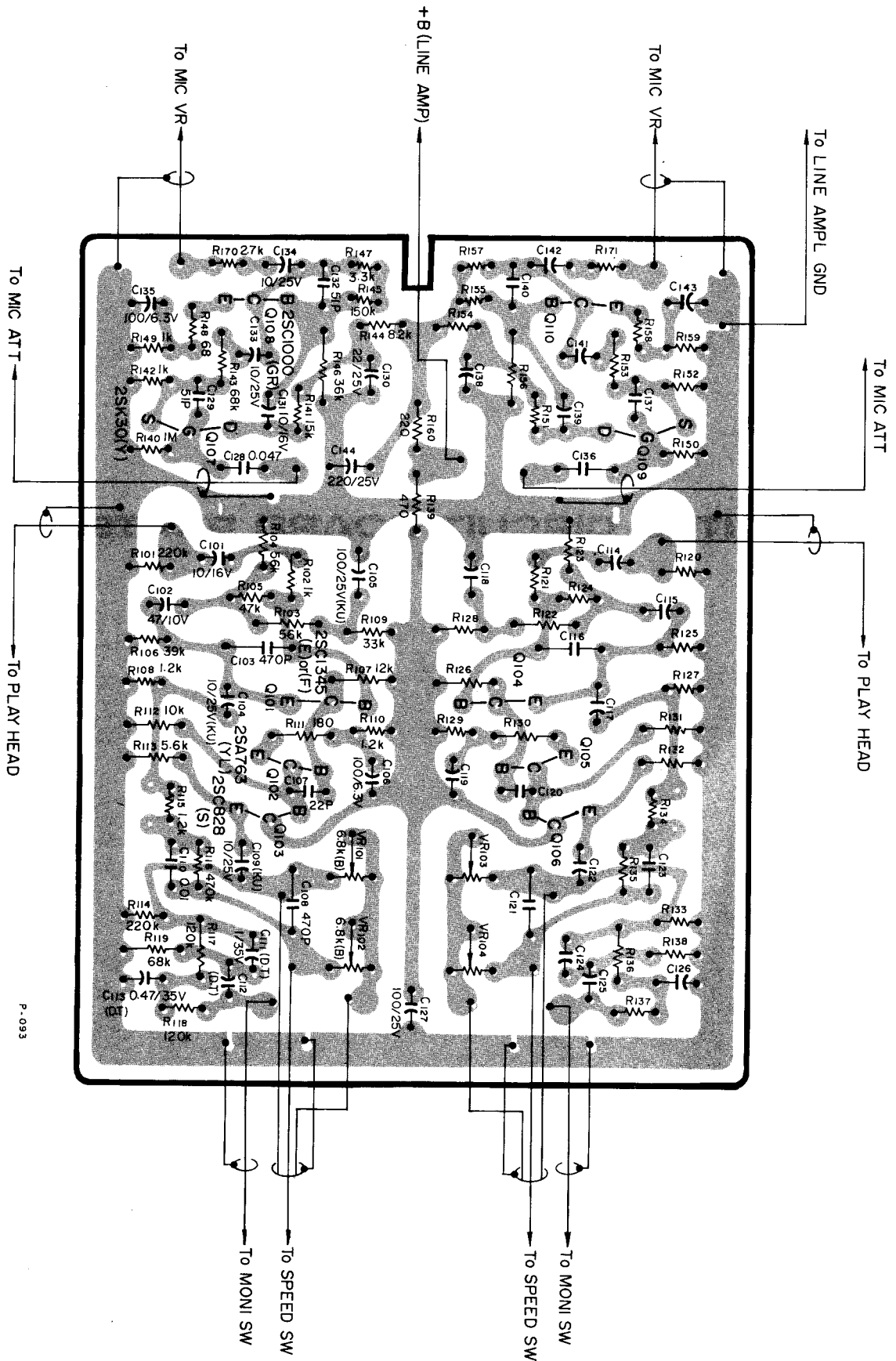


REF. NO.	TEAC PARTS NO.	DESCRIPTION	REMARKS
13-1	55980500	Reel Clamp Adapters (TZ-612), x2	
13-2	50276971	Rubber Feet (for Horizontal Use), x4	
13-3	*RE-1002	Empty Reel, 10 inch	
13-4	50471250	Input-output Connection Cords, x2	
13-5	57100300	Cleaning Stick (TZ-275)	
13-6	50291860	Oil and Applicator	
13-7		Sensing Foil	
13-8	50629620	Splicing Tape	
13-9	50411010	Fuse, 1A (EX 220, 240V area)	
	50411140	" , 2A (EX 100, 117V area)	
	50411340	" , 2A-250V (TCA·UL)	
13-10	50291350	Silicone Cloth	
---	51012560	A-6100 Instruction Manual (DM)	
---	51012570	" (EX)	
---	51012580	" (TCA)	
---	51012590	A-6300 Instruction Manual (DM)	
---	51012600	" (EX)	
---	51012610	" (TCA)	

NOTE: The Empty Reel is available as an Optional Accessory and thus is not assigned a special TEAC Parts number. Please order this by the MODEL CODE NUMBER (RE-702). This number is included on the package.

**PRINTED CIRCUIT BOARD PARTS LIST**  
**A-6100 / A-6300**

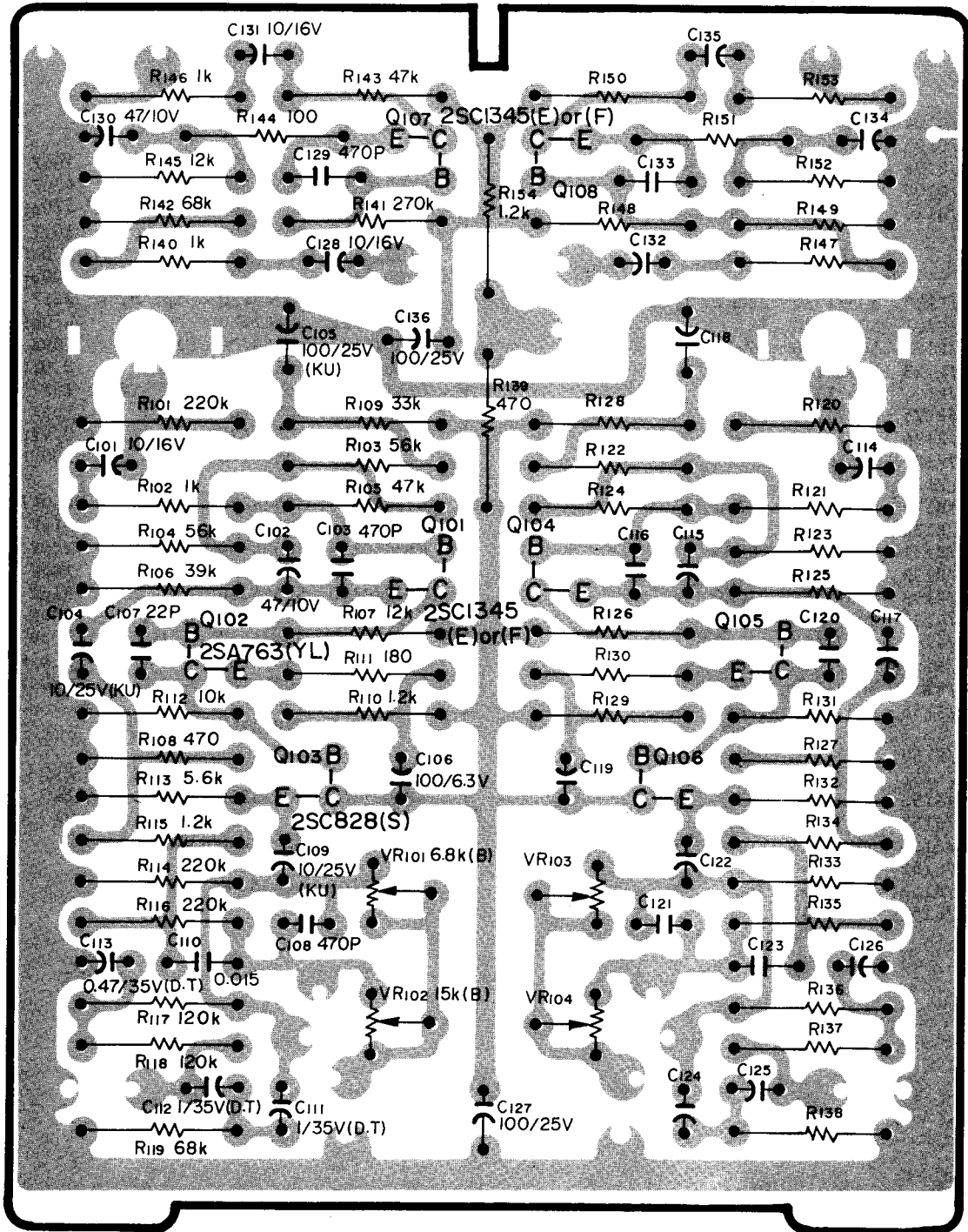
# 1. MIC/PLAYBACK EQ AMPLIFIER (A-6100)



CIRCUIT REF. NO	TEAC PARTS NO	DESCRIPTION
	51681071	PC Bd. Assy
	51671070	PC Bd.
TRANSISTORS		
Q101/Q104	50424710	2SC1345-E or F
Q102/Q105	50424870	2SA763-YL
Q103/Q106	50424600	2SC828-S
Q107/Q109	50423840	FET, 2SK30-Y
Q108/Q110	50424100	2SC1000-GR
CARBON RESISTORS		
R101/R120	50571380	220k $\Omega$ 1/4W
R102/R121	50570820	1k $\Omega$ "
R103/R122	50571240	56k $\Omega$ "
R104/R123	50571240	56k $\Omega$ "
R105/R124	50571220	47k $\Omega$ "
R106/R125	50571200	39k $\Omega$ "
R107/R126	50571080	12k $\Omega$ "
R108/R127	50570840	1.2k $\Omega$ "
R109/R128	50571180	33k $\Omega$ "
R110/R129	50570840	1.2k $\Omega$ "
R111/R130	50570640	180 $\Omega$ "
R112/R131	50571060	10k $\Omega$ "
R113/R132	50571000	5.6k $\Omega$ "
R114/R133	50571380	220k $\Omega$ "
R115/R134	50570840	1.2k $\Omega$ "
R116/R135	50571460	470k $\Omega$ "
R117/R136	50571320	120k $\Omega$ "
R118/R137	50571320	120k $\Omega$ "
R119/R138	50571260	68k $\Omega$ "
R139	50570740	470 $\Omega$ "
R140/R150	50571540	1M "
R141/R151	50571100	15k "
R142/R152	50570820	1k $\Omega$ "
R143/R153	50573260	68k $\Omega$ "
R144/R154	50571040	8.2k $\Omega$ "
R145/R155	50571340	150k $\Omega$ "
R146/R156	50571190	36k $\Omega$ "
R147/R157	50570940	3.3k $\Omega$ "

CIRCUIT REF. NO.	TEAC PARTS NO.	DESCRIPTION
R148/R158	50570540	68 $\Omega$ "
R149/R159	50570820	1k $\Omega$ "
R160	50570660	220 $\Omega$ "
R170/R171	50570920	2.7k $\Omega$ "
R172/R173	50571240	56k $\Omega$ "
CAPACITORS		
C101/C114	51700090	Tant. 10 $\mu$ F 16V
C102/C115	50555540	Elec. 47 $\mu$ F 10V
C103/C116	50547560	Dip. Mica 470pF 50V
C104/C117	50549700	Elec. 10 $\mu$ F 25V
C105/C118	50549740	" 100 $\mu$ F 25V
C106/C119	50554230	" 100 $\mu$ F 6.3V
C107/C120	50543820	Dip. Mica 22pF 50V
C108/C121	50547560	" 470pF 50V
C109/C122	50549700	Elec. 10 $\mu$ F 25V
C110/C123	50548480	Mylar 0.01 $\mu$ F 50V
C111/C124	50546701	Dip. Tant. 1 $\mu$ F 35V
C112/C125	50546701	" 1 $\mu$ F 35V
C113/C126	50546682	" 0.47 $\mu$ F 35V
C127	50554170	Elec. 100 $\mu$ F 25V
C128/C136	50548270	Mylar 0.047 $\mu$ F 50V
C129/C137	50547430	Dip. Mica 51pF 50V
C130/C138	50554900	Elec. 22 $\mu$ F 35V
C131/C139	50554050	" 10 $\mu$ F 16V
C132/C140	50547430	Dip. Mica 51pF 50V
C133/C141	50554040	Elec. 10 $\mu$ F 25V
C134/C142	50554040	" 10 $\mu$ F 25V
C135/C143	50554230	" 100 $\mu$ F 6.3V
C144	50554180	" 220 $\mu$ F 25V
VARIABLE RESISTORS		
VR101/103	50533580	Trimmer 6.8k $\Omega$ B
VR102/104	50533580	" 6.8k $\Omega$ B
MISCELLANEOUS		
J101/J102	50435000	Pin Jack

## 2. MIC/PLAYBACK EQ AMPLIFIER (A-6300)



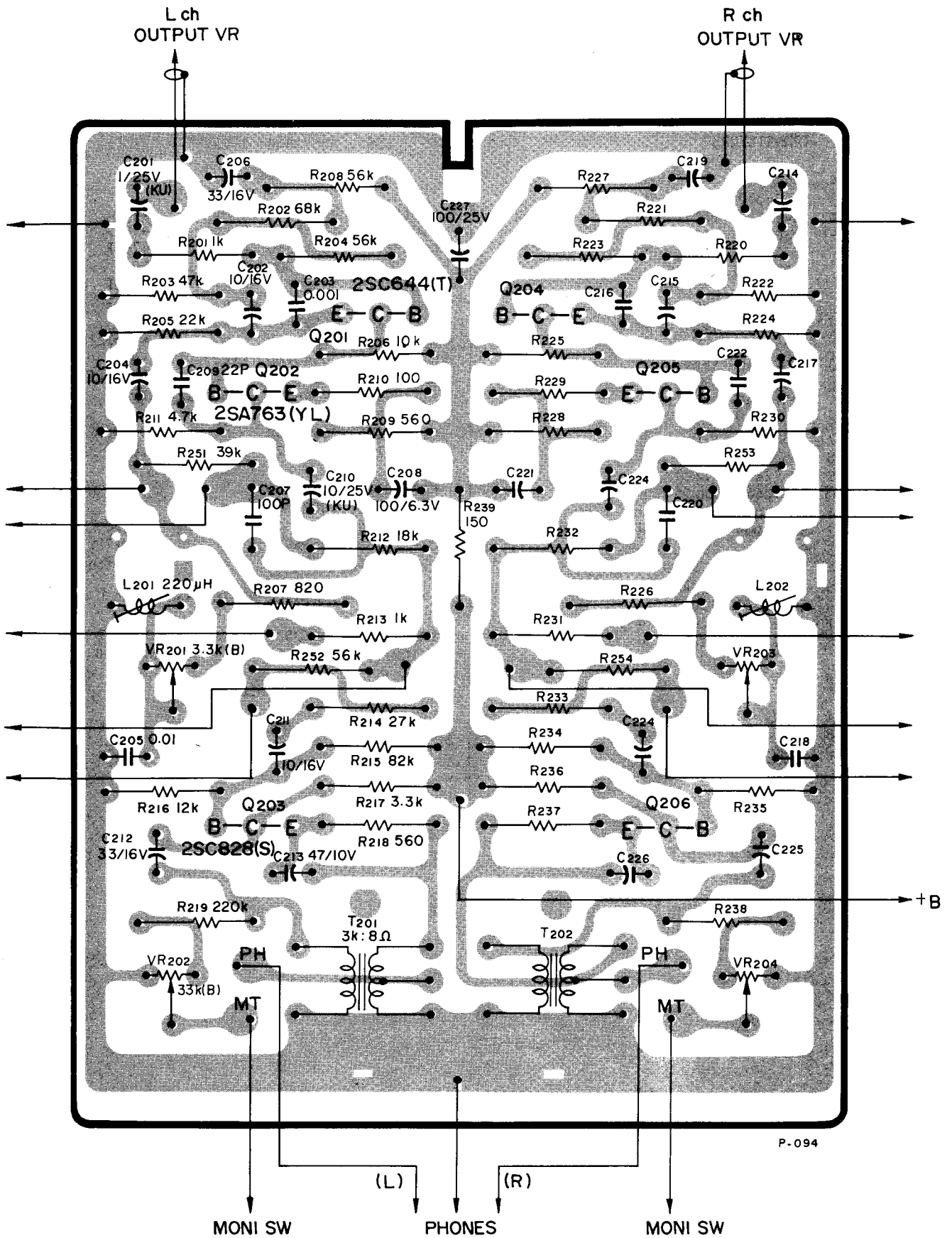
P-029-1

CIRCUIT REF. NO.	TEAC PARTS NO	DESCRIPTION
	51681351	PC Bd. Assy
	50484080	PC Bd.
TRANSISTORS		
Q101/Q104	50424710	2SC1345-E or F
Q102/Q105	50424870	2SA763-YL
Q103/Q106	50424600	2SC828-S
Q107/Q108	50424710	2SC1345-E or F
CARBON RESISTORS		
R101/R120	50573380	220k $\Omega$ 1/4W
R102/R121	50572820	1k $\Omega$ "
R103/R122	50573240	56k $\Omega$ "
R104/R123	50573240	56k $\Omega$ "
R105/R124	50573220	47k $\Omega$ "
R106/R125	50573200	39k $\Omega$ "
R107/R126	50573080	12k $\Omega$ "
R108/R127	50572740	470 $\Omega$ "
R109/R128	50573180	33k $\Omega$ "
R110/R129	50572840	1.2k $\Omega$ "
R111/R130	50572640	180 $\Omega$ "
R112/R131	50573080	10k $\Omega$ "
R113/R132	50573000	5.6k $\Omega$ "
R114/R133	50573380	220k $\Omega$ "
R115/R134	50572840	1.2k $\Omega$ "
R116/R135	50573380	220k $\Omega$ "
R117/R136	50573320	120k $\Omega$ "
R118/R137	50573320	120k $\Omega$ "
R119/R138	50573260	68k $\Omega$ "
R139	50572740	470 $\Omega$ "
R140/R147	50572820	1k $\Omega$ "
R141/R148	50573400	270k $\Omega$ "
R142/R149	50573260	68k $\Omega$ "

CIRCUIT REF. NO.	TEAC PARTS NO.	DESCRIPTION
R143/R150	50573220	47k $\Omega$ "
R144/R151	50572580	100 $\Omega$ "
R145/R152	50573080	12k $\Omega$ "
R146/R153	50572820	1k $\Omega$ "
R154	50572840	1.2k $\Omega$ "
CAPACITORS		
C101/C114	51700090	Tant. 10 $\mu$ F 16V
C102/C115	50555540	Elec. 47 $\mu$ F 10V
C103/C116	50547560	Dip. Mica 470pF 50V
C104/C117	50549700	Elec. 10 $\mu$ F 25V
C105/C118	50549740	" 100 $\mu$ F 25V
C106/C119	50554230	" 100 $\mu$ F 6.3V
C107/C120	50543820	Dip. Mica 22pF 50V
C108/C121	50547560	" 470pF 50V
C109/C122	50549700	Elec. 10 $\mu$ F 25V
C110/C123	50548420	Mylar 0.015 $\mu$ F 50V
C111/C124	50546701	Dip. Tant. 1 $\mu$ F 35V
C112/C125	50546701	" 1 $\mu$ F 35V
C113/C126	50546682	" 0.47 $\mu$ F 35V
C127	50554170	Elec. 100 $\mu$ F 25V
C128/C132	50554050	" 10 $\mu$ F 16V
C129/C133	50547560	Dip. Mica 470pF 50V
C130/C134	50555540	Elec. 47 $\mu$ F 10V
C131/C135	50554050	" 10 $\mu$ F 16V
C136	50554170	" 100 $\mu$ F 25V
VARIABLE RESISTORS		
VR101/103	50533580	Trimmer 6.8k B
VR102/104	50534140	" 15k B
MISCELLANEOUS		
J101/J102	50435000	Pin Jack



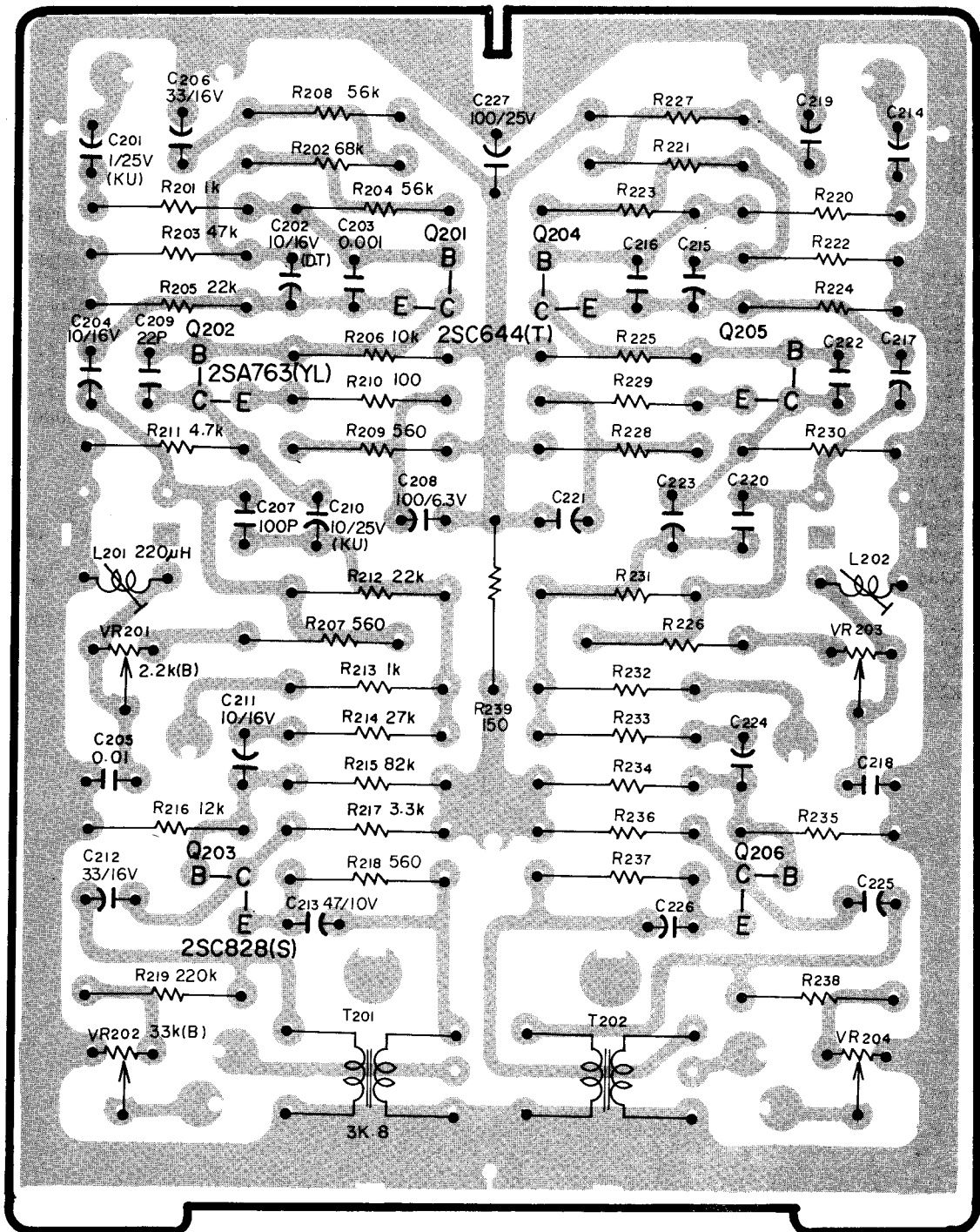
### 3. LINE OUT/PHONE AMPLIFIER (A-6100)



CIRCUIT REF. NO	TEAC PARTS NO	DESCRIPTION	
	51681080	PC Bd. Assy	
	51671080	PC Bd.	
TRANSISTORS			
Q201/Q204	50423770	2SC644-T	
Q202/Q205	50424870	2SA763-YL	
Q203/Q206	50424600	2SC828-S	
CARBON RESISTORS			
R201/R220	50572820	1k $\Omega$	1/4W
R202/R221	50573260	68k $\Omega$	"
R203/R222	50573220	47k $\Omega$	"
R204/R223	50573260	56k $\Omega$	"
R205/R224	50573140	22k $\Omega$	"
R206/R225	50573060	10k $\Omega$	"
R207/R226	50572800	820 $\Omega$	"
R208/R227	50573240	56k $\Omega$	"
R209/R228	50572760	560 $\Omega$	"
R210/R229	50572580	100 $\Omega$	"
R211/R230	50572980	4.7k $\Omega$	"
R212/R231	50573120	18k $\Omega$	"
R213/R232	50572820	1k $\Omega$	"
R214/R233	50573160	27k $\Omega$	"
R215/R234	50573280	82k $\Omega$	"
R216/R235	50573080	12k $\Omega$	"
R217/R236	50572940	3.3k $\Omega$	"
R218/R237	50572760	560 $\Omega$	"
R219/R238	50573380	220k $\Omega$	"
R239	50570620	150 $\Omega$	"

CIRCUIT REF. NO.	TEAC PARTS NO.	DESCRIPTION		
R251/R253	50573220	39k $\Omega$	"	
R252/R254	50573240	56k $\Omega$	"	
CAPACITORS				
C201/C214	50549660	Elec.	1 $\mu$ F	25V
C202/C215	50546562	Dip. Tant.	10 $\mu$ F	16V
C203/C216	50548320	Mylar	0.01 $\mu$ F	50V
C204/C217	50554050	Elec.	10 $\mu$ F	16V
C205/C218	50548020	Mylar	0.001 $\mu$ F	50V
C206/C219	50554260	Elec.	33 $\mu$ F	16V
C207/C220	50547440	Dip. Mica	100pF	50V
C208/C221	50554230	Elec.	100 $\mu$ F	6.3V
C209/C222	50543820	Dip. Mica	22pF	50V
C210/C223	50549700	Elec.	10 $\mu$ F	25V
C211/C224	50554050	"	10 $\mu$ F	16V
C212/C225	50554260	"	33 $\mu$ F	16V
C213/C226	50555540	"	47 $\mu$ F	10V
C227	50554170	"	100 $\mu$ F	25V
VARIABLE RESISTORS				
VR201/203	50533590	Trimmer	3.3k $\Omega$	B
VR202/204	50534120	"	33k $\Omega$	B
COILS				
L201/L202	50566640	Coil, Choke	220 $\mu$ H	
TRANSFORMERS				
T201/T202	50562141	3k $\Omega$ :	8 $\Omega$	

# 4. LINE OUT/PHONE AMPLIFIER (A-6300)

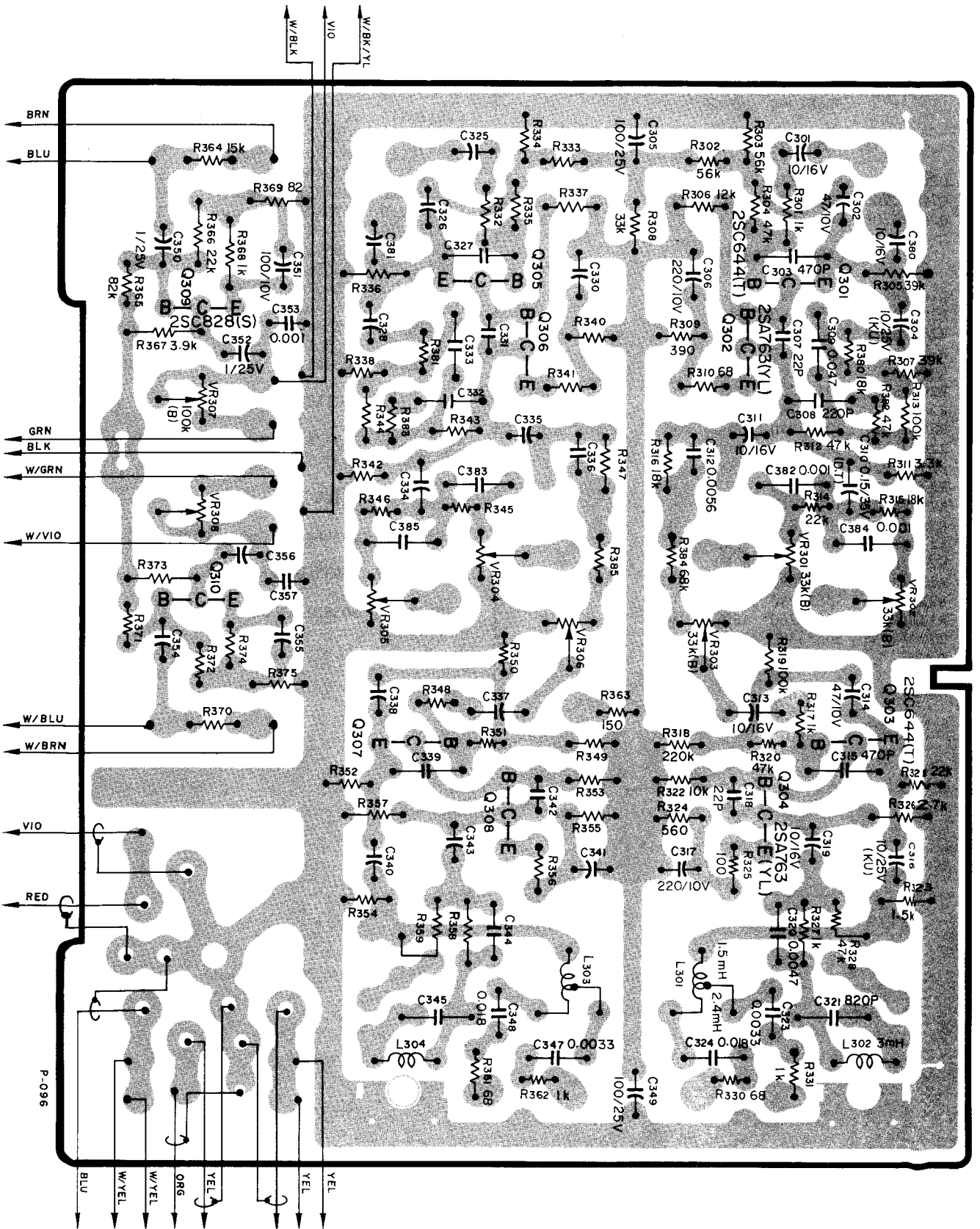


P-030-1

CIRCUIT REF. NO.	TEAC PARTS NO.	DESCRIPTION	
	51681330	PC Bd.	Assy
	50484090	PC Bd.	
TRANSISTORS			
Q201/Q204	50423770	2SC644-T	
Q202/Q205	50424870	2SA763-YL	
Q203/Q206	50424600	2SC828-S	
CARBON RESISTORS			
R201/R220	50572820	1k $\Omega$	1/4W
R202/R221	50573260	68k $\Omega$	"
R203/R222	50573220	47k $\Omega$	"
R204/R223	50573260	56k $\Omega$	"
R205/R224	50573140	22k $\Omega$	"
R206/R225	50573060	10k $\Omega$	"
R207/R226	50572760	560 $\Omega$	"
R208/R227	50573240	56k $\Omega$	"
R209/R228	50572760	560 $\Omega$	"
R210/R229	50572580	100 $\Omega$	"
R211/R230	50572980	4.7k $\Omega$	"
R212/R231	50573140	22k $\Omega$	"
R213/R232	50572820	1k $\Omega$	"
R214/R233	50573160	27k $\Omega$	"
R215/R234	50573280	82k $\Omega$	"
R216/R235	50573080	12k $\Omega$	"
R217/R236	50572940	3.3k $\Omega$	"
R218/R237	50572760	560 $\Omega$	"
R219/R238	50573380	220k $\Omega$	"
R239	50570620	150 $\Omega$	"

CIRCUIT REF. NO.	TEAC PARTS NO.	DESCRIPTION		
CAPACITORS				
C201/C214	50549660	Elec.	1 $\mu$ F	25V
C202/C215	50546562	Dip. Tant.	10 $\mu$ F	16V
C203/C216	50548320	Mylar	0.001 $\mu$ F	50V
C204/C217	50554050	Elec.	10 $\mu$ F	16V
C205/C218	50548020	Mylar	0.01 $\mu$ F	50V
C206/C219	50554260	Elec.	33 $\mu$ F	16V
C207/C220	50547440	Dip. Mica	100pF	50V
C208/C221	50554230	Elec.	100 $\mu$ F	6.3V
C209/C222	50543820	Dip. Mica	22pF	50V
C210/C223	50549700	Elec.	10 $\mu$ F	25V
C211/C224	50554050	"	10 $\mu$ F	16V
C212/C225	50554260	"	33 $\mu$ F	16V
C213/C226	50555540	"	47 $\mu$ F	10V
C227	50554170	"	100 $\mu$ F	25V
VARIABLE RESISTORS				
VR201/203	50533640	Trimmer	2.2k $\Omega$	B
VR202/204	50534120	"	33k $\Omega$	B
COILS				
L201/L202	50566640	Coil, Choke	220 $\mu$ H	
TRANSFORMERS				
T201/T202	50562141	3k $\Omega$ :	8 $\Omega$	

## 5. RECORD/METER AMPLIFIER (A-6100)



CIRCUIT REF. NO.	TEAC PARTS NO.	DESCRIPTION
------------------	----------------	-------------

51681091 PC Bd. Assy

51671090 PC Bd.

TRANSISTORS

Q301/Q305	50423770	2SC644-T
Q302/Q306	50424870	2SA763-YL
Q303/Q307	50423770	2SC644-T
Q304/Q308	50424870	2SA763-YL
Q309/Q310	50424820	2SC828-S

CARBON RESISTORS

R301/R332	50570820	1k $\Omega$	1/4W
R302/R333	50571240	56k $\Omega$	"
R303/R334	50571240	56k $\Omega$	"
R304/R335	50571220	47k $\Omega$	"
R305/R336	50571200	39k $\Omega$	"
R306/R337	50571080	12k $\Omega$	"
R307/R338	50571220	39k $\Omega$	"
R308	50571180	33k $\Omega$	"
R309/R340	50570720	390 $\Omega$	"
R310/R341	50570540	68 $\Omega$	"
R311/R342	50570940	3.3k $\Omega$	"
R312/R343	50571220	47k $\Omega$	"
R313/R344	50571300	100k $\Omega$	"
R314/R345	50571140	22k $\Omega$	"
R315/R346	50571120	18k $\Omega$	"
R316/R347	50571120	18k $\Omega$	"
R317/R348	50570820	1k $\Omega$	"
R318/R349	50571380	220k $\Omega$	"
R319/R350	50571300	100k $\Omega$	"
R320/R351	50571220	47k $\Omega$	"
R321/R352	50571140	22k $\Omega$	"
R322/R353	50571060	10k $\Omega$	"
R323/R354	50570860	1.5k $\Omega$	"
R324/R355	50572760	560 $\Omega$	"
R325/R356	50572580	100 $\Omega$	"
R326/R357	50570920	2.7k $\Omega$	"
R327/R358	50570820	1k $\Omega$	"
R328/R359	50571220	47k $\Omega$	"
R330/R361	50570540	68 $\Omega$	"
R331/R362	50570820	1k $\Omega$	"
R363	50570620	150 $\Omega$	"
R364/R370	50571100	15k $\Omega$	"
R365/R371	50571280	82k $\Omega$	"
R366/R372	50571140	22k $\Omega$	"
R367/R373	50570960	3.9k $\Omega$	"
R368/R374	50570820	1k $\Omega$	"
R369/R375	50570560	82 $\Omega$	"

CIRCUIT REF. NO.	TEAC PART NO.	DESCRIPTION
------------------	---------------	-------------

R380/R381 50571120 18k $\Omega$  "

R382/R383 50571220 47k $\Omega$  "

R384/R385 50571260 68k $\Omega$  "

CAPACITORS

C301/C325	50554050	Elec.	10 $\mu$ F	16V
C302/C326	50555540	"	47 $\mu$ F	10V
C303/C327	50547560	Dip. Mica	470pF	50V
C304/C328	50549700	Elec.	10 $\mu$ F	25V
C305	50554170	"	100 $\mu$ F	25V
C306/C330	50554910	"	220 $\mu$ F	10V
C307/C331	50543820	Dip. Mica	22pF	50V
C308/C332	50547450	"	220pF	
C309/C333	50548270	Mylar	0.047 $\mu$ F	50V
C310/C334	50546651	Dip. Tant.	0.15 $\mu$ F	35V
C311/C335	50554050	Elec.	10 $\mu$ F	16V
C312/C336	50548260	Mylar	0.0056 $\mu$ F	50V
C313/C337	50554050	Elec.	10 $\mu$ F	16V
C314/C338	50555540	"	47 $\mu$ F	10V
C315/C339	50547560	Dip. Mica	470pF	50V
C316/C340	50549700	Elec.	10 $\mu$ F	25V
C317/C341	50554910	"	220 $\mu$ F	10V
C318/C342	50543820	Dip. Mica	22pF	50V
C319/C343	50554050	Elec.	10 $\mu$ F	16V
C320/C344	50548131	Mylar	0.0047 $\mu$ F	50V
C321/C345	50543440	Polyst.	820pF	50V
C323/C347	50548810	Mylar	0.0033 $\mu$ F	50V 5%
C324/C348	50548970	"	0.018 $\mu$ F	50V 5%
C349	50554170	Elec.	100 $\mu$ F	25V
C350/C354	50555470	"	1 $\mu$ F	25V
C351/C355	50554570	"	100 $\mu$ F	10V
C352/C356	50555470	"	1 $\mu$ F	25V
C353/C357	50548320	Mylar	0.001 $\mu$ F	50V
C380/C381	50554050	Elec.	10 $\mu$ F	16V
C382/C383	50548780	Mylar	0.001 $\mu$ F	5%
C384/C385	50548780	"	0.001 $\mu$ F	5%

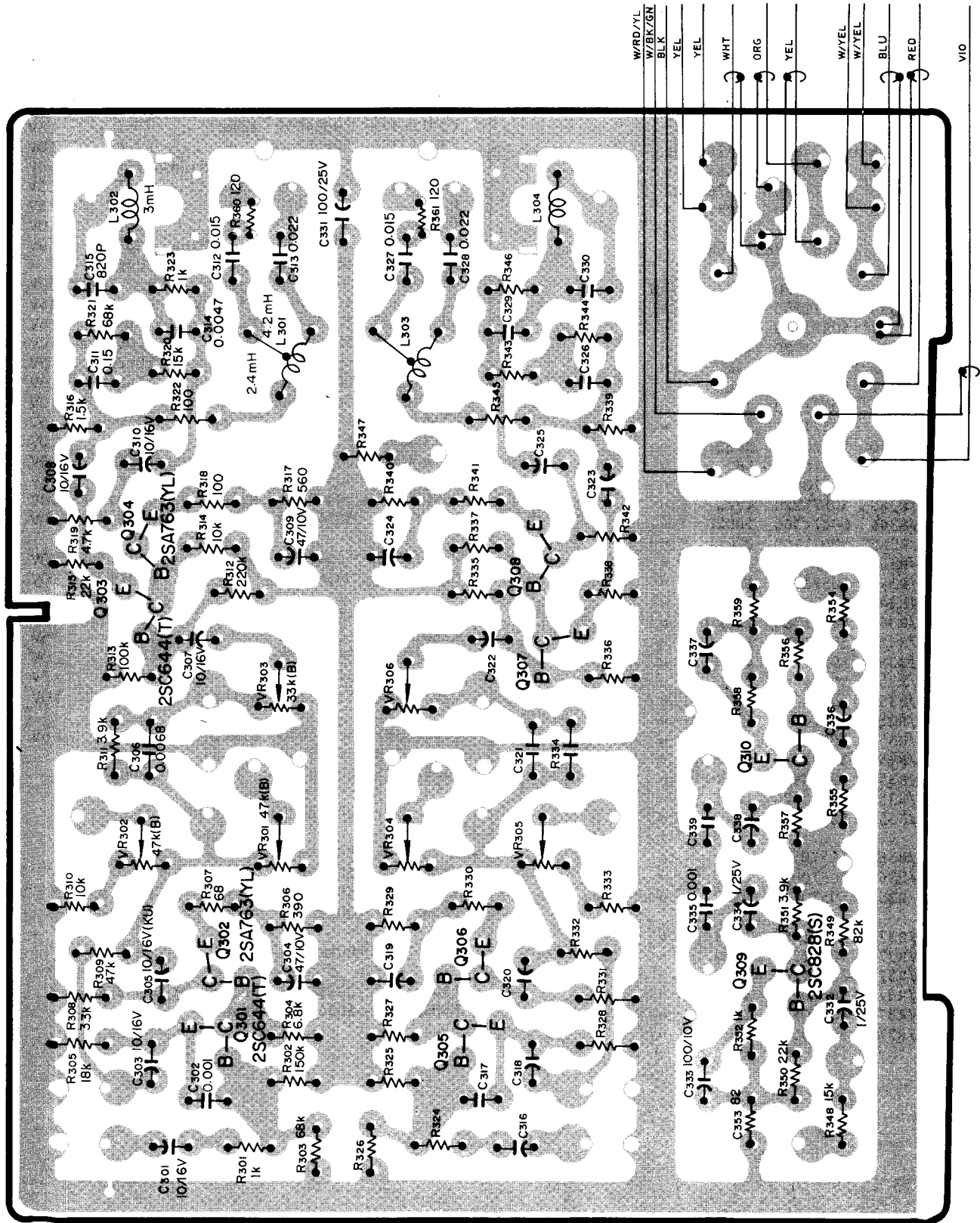
VARIABLE RESISTORS

VR301/304	50534120	Trimmer	33k $\Omega$	B
VR302/305	50534120	"	"	"
VR303/306	50534120	"	"	"
VR307/308	50533490	"	100k $\Omega$	"

COILS

L301/L303	50566670	Record EQ	1.5-2.4mH
L302/L304	50566300	Trap	3mH

# 6. RECORD/METER AMPLIFIER (A-6300)

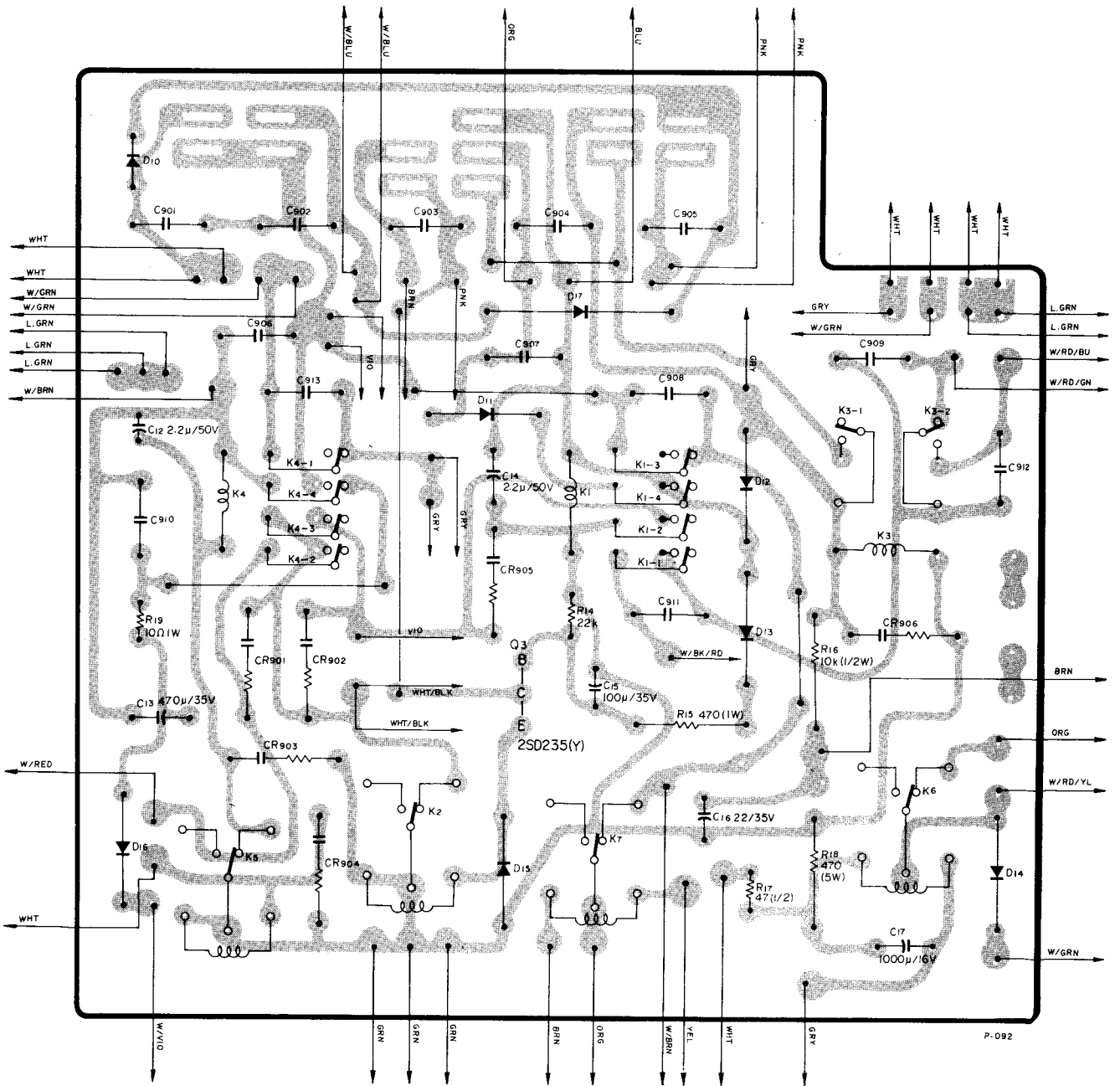


CIRCUIT REF. NO	TEAC PARTS NO	DESCRIPTION
	51681361	PC Bd. Assy
	50484401	PC Bd.
TRANSISTORS		
Q301/Q305	50423770	2SC644-T
Q302/Q306	50424870	2SA763-YL
Q303/Q307	50423770	2SC644-T
Q304/Q308	50424870	2SA763-YL
Q309/Q310	50424820	2SC828-S
CARBON RESISTORS		
R301/R324	50570820	1k $\Omega$ 1/4W
R302/R325	50571340	150k $\Omega$ "
R303/R326	50571260	68k $\Omega$ "
R304/R327	50571020	6.8k $\Omega$ "
R305/R328	50571120	18k $\Omega$ "
R306/R329	50570720	390 $\Omega$ "
R307/R330	50570540	68 $\Omega$ "
R308/R331	50570940	3.3k $\Omega$ "
R309/R332	50571220	47k $\Omega$ "
R310/R333	50571060	10k $\Omega$ "
R311/R334	50570960	3.9k $\Omega$ "
R312/R335	50571380	220k $\Omega$ "
R313/R336	50571300	100k $\Omega$ "
R314/R337	50571060	10k $\Omega$ "
R315/R338	50571140	22k $\Omega$ "
R316/R339	50570860	1.5k $\Omega$ "
R317/R340	50570760	560 $\Omega$ "
R318/R341	50570580	100 $\Omega$ "
R319/R342	50570980	4.7k $\Omega$ "
R320/R343	50571100	15k $\Omega$ "
R321/R344	50571260	68k $\Omega$ "
R322/R345	50570580	100 $\Omega$ "
R323/R346	50570820	1k $\Omega$ "
R347	50570620	150 $\Omega$ "
R348/R354	50571100	15k $\Omega$ "

CIRCUIT REF. NO.	TEAC PARTS NO	DESCRIPTION
R349/R355	50571280	82k $\Omega$ "
R350/R356	50571140	22k $\Omega$ "
R351/R357	50570960	3.9k $\Omega$ "
R352/R358	50570820	1k $\Omega$ "
R353/R359	50570560	82 $\Omega$ "
R360/R361	50570600	120 $\Omega$ "
CAPACITORS		
C301/C316	50554050	Elec. 10 $\mu$ F 16V
C302/C317	50548320	Mylar 0.001 $\mu$ F 50V
C303/C318	50554050	Elec. 10 $\mu$ F 16V
C304/C319	50555540	" 47 $\mu$ F 10V
C305/C320	50549770	" 10 $\mu$ F 16V
C306/C321	50548540	Mylar 0.0068 $\mu$ F 50V
C307/C322	50554050	Elec. 10 $\mu$ F 16V
C308/C323	50554050	" 10 $\mu$ F 16V
C309/C324	50555540	" 47 $\mu$ F 10V
C310/C325	50554050	" 10 $\mu$ F 16V
C311/C326	50548310	Mylar 0.15 $\mu$ F 50V
C312/C327	50548420	" 0.015 $\mu$ F 50V
C313/C328	50548290	" 0.022 $\mu$ F 50V
C314/C329	50548131	" 0.0047 $\mu$ F 50V
C315/C330	50543440	Polyst. 820pF 50V
C331	50554170	Elec. 100 $\mu$ F 25V
C332/C336	50555470	" 1 $\mu$ F 25V
C333/C337	50554570	" 100 $\mu$ F 10V
C334/C338	50555470	" 1 $\mu$ F 25V
C335/C339	50548321	Mylar 0.001 $\mu$ F 50V
VARIABLE RESISTORS		
VR301/304	50533520	Trimmer 47k $\Omega$ B
VR302/305	50533520	" 47k $\Omega$ B
VR303/306	50534120	" 33k $\Omega$ B
COILS		
L301/L303	50566370	Record EQ 2.4-4.2mH
L302/L304	50566300	Trap 3mH

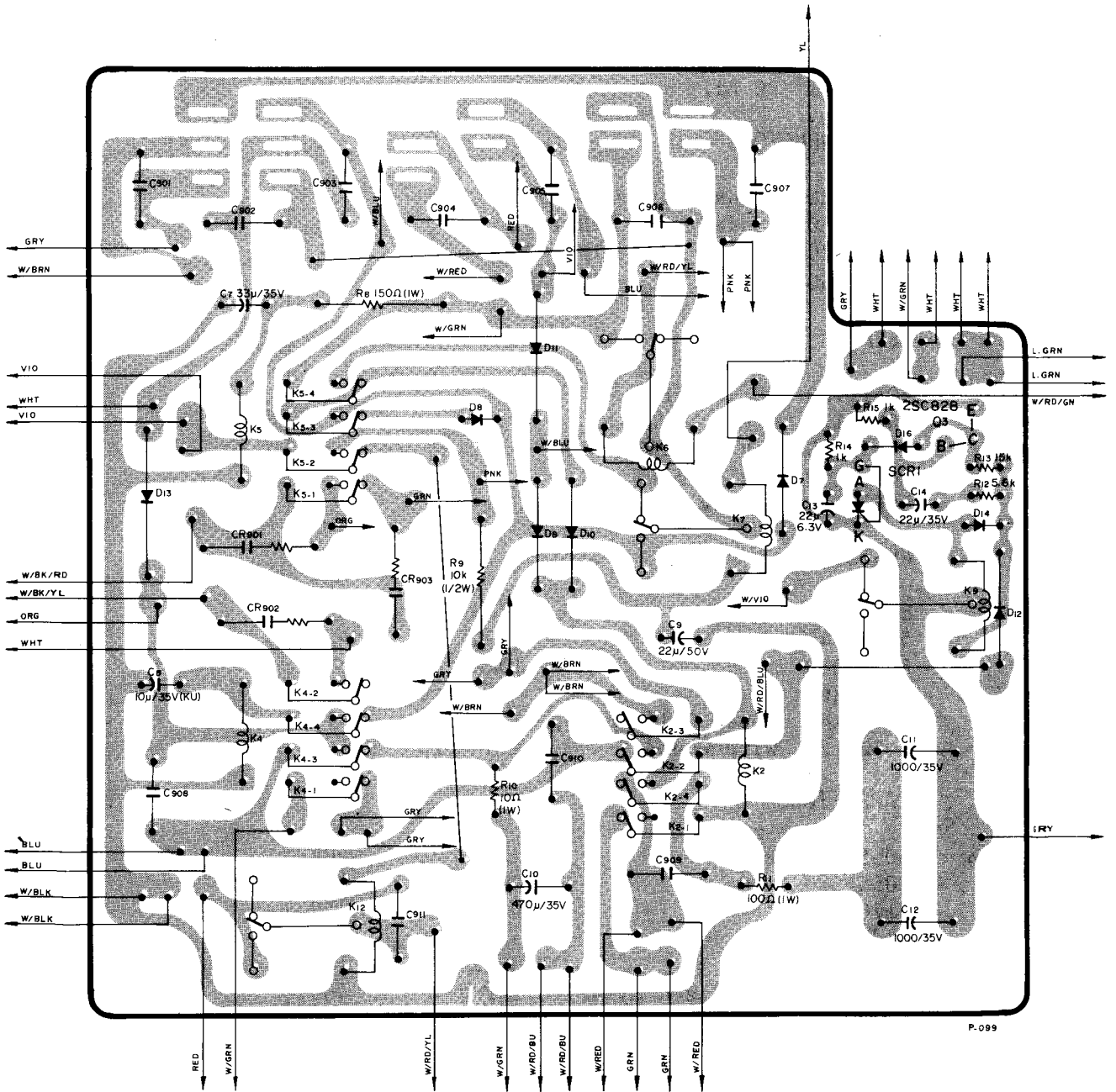


# 7. CONTROL RELAY (A-6100)



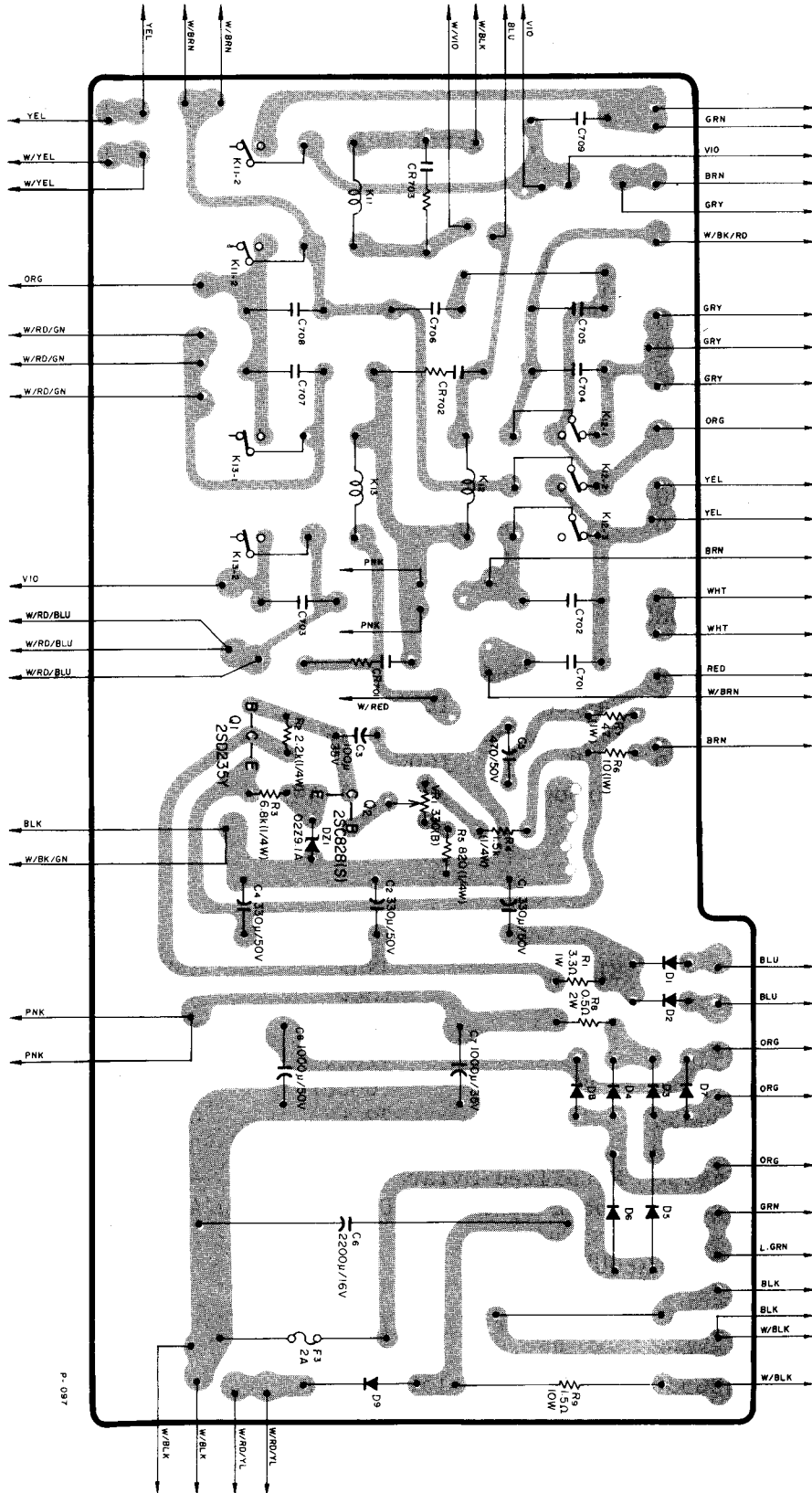
CIRCUIT REF. NO.	TEAC PARTS NO.	DESCRIPTION	REMARKS
	51681051	PC Bd.	
	51671051	PC Bd.	
SEMICONDUCTORS			
Q3	50424620	Transistor, 2SD235-Y	
D10-D13	50422560	Diode, S1B01-02	
D14	50422570	" S1B01-06	
D15-D17	50422560	" S1B01-02	
RELAYS			
K1•K4	50611180	DC 24V 4PDT	
K2•K7	50611170	" SPDT	
K3	50611140	" DPDT	
K5	50611150	" SPDT	
K6	50611130	DC 12V SPDT	
RESISTORS			
R14	50575140	Carbon	22k $\Omega$ 1/2W 5%
R15	50575040	"	470 $\Omega$ " "
R16	50575060	"	10k $\Omega$ " "
R17	50574260	"	47 $\Omega$ " "
R18	50527140	Metal Oxide Film,	470 $\Omega$ 3W
R19	50526120	Wire Wound,	10 $\Omega$ 1W
CAPACITORS			
C12•C14	50554980	Elec.	2.2 $\mu$ F 50V
C13	50554620	"	470 $\mu$ F 35V
C15	51700070	"	100 $\mu$ F 35V
C16	51700580	"	22 $\mu$ F 50V
C17	50554890	"	1000 $\mu$ F 16V
C901-913	50549920	Metalized Mylar	0.1 $\mu$ F 400V
CR901-906	50529050	Spark Killer	0.1 $\mu$ F + 120 $\Omega$ 400V
MISCELLANEOUS			
J3	50436590	Connector, 28P (Plug)	
	50436600	" " (Socket)	
	50436530	" 15P (Plug)	
	50438310	" " (Socket)	
	50436680	" 3P (Plug)	
	50436690	" " (Socket)	

## 8. CONTROL RELAY (A-6300)



CIRCUIT REF. NO.	TEAC PARTS NO.	DESCRIPTION	REMARKS
	51681011	PC Bd. Assy, Control Relay	
	51671011	PC Bd., Control Relay	
SEMICONDUCTORS			
Q3	50424600	Transistor, 2SC828-S	
D7-D12-D16	50422560	Diode, 1B01-02	
D13	50422970	" SR3AM-6	
D14	50422560	" 1B01-02	
SCR1	50428040	Thyristor, FOR2B41	
RELAYS			
K2-K4-K5	50611180	DC 24V 4PDT	
K6-K9-K12	50611150	" SPDT	
K7	50611170	" SPDT	
RESISTORS			
R8	50526280	Wire Wound 150Ω 1W	
R9	50575060	Carbon 10kΩ 1/2W	
R10	50526120	Wire Wound 10Ω 1W	
R11	50525320	" 100Ω "	
R12	50515460	Carbon 5.6kΩ 1/4W	
R13	50571000	" 15kΩ "	
R14-R15	50515340	" 1kΩ "	
CAPACITORS			
C7	50554750	Elec. 33μF 35V	
C8	50555690	" 10μF 35V	
C9	51700580	" 22μF 50V	
C10	50554620	" 470μF 35V	
C11-C12	50551380	" 1000μF 35V	
C13	50554850	" 22μF 6.3V	
C14	50554900	" 22μF 35V	
C901-911	50549920	Metalized Mylar 0.1μF 400V	
CR901-903	50529050	Spark Killer 0.1μF + 120Ω 400V	
MISCELLANEOUS			
J3	50436590	Connector, 28P (Plug)	
	50436600	" " (Socket)	
	50436530	" 15P (Plug)	
	50438310	" " (Socket)	
	50436660	" 5P (Plug)	
	50436670	" " (Socket)	

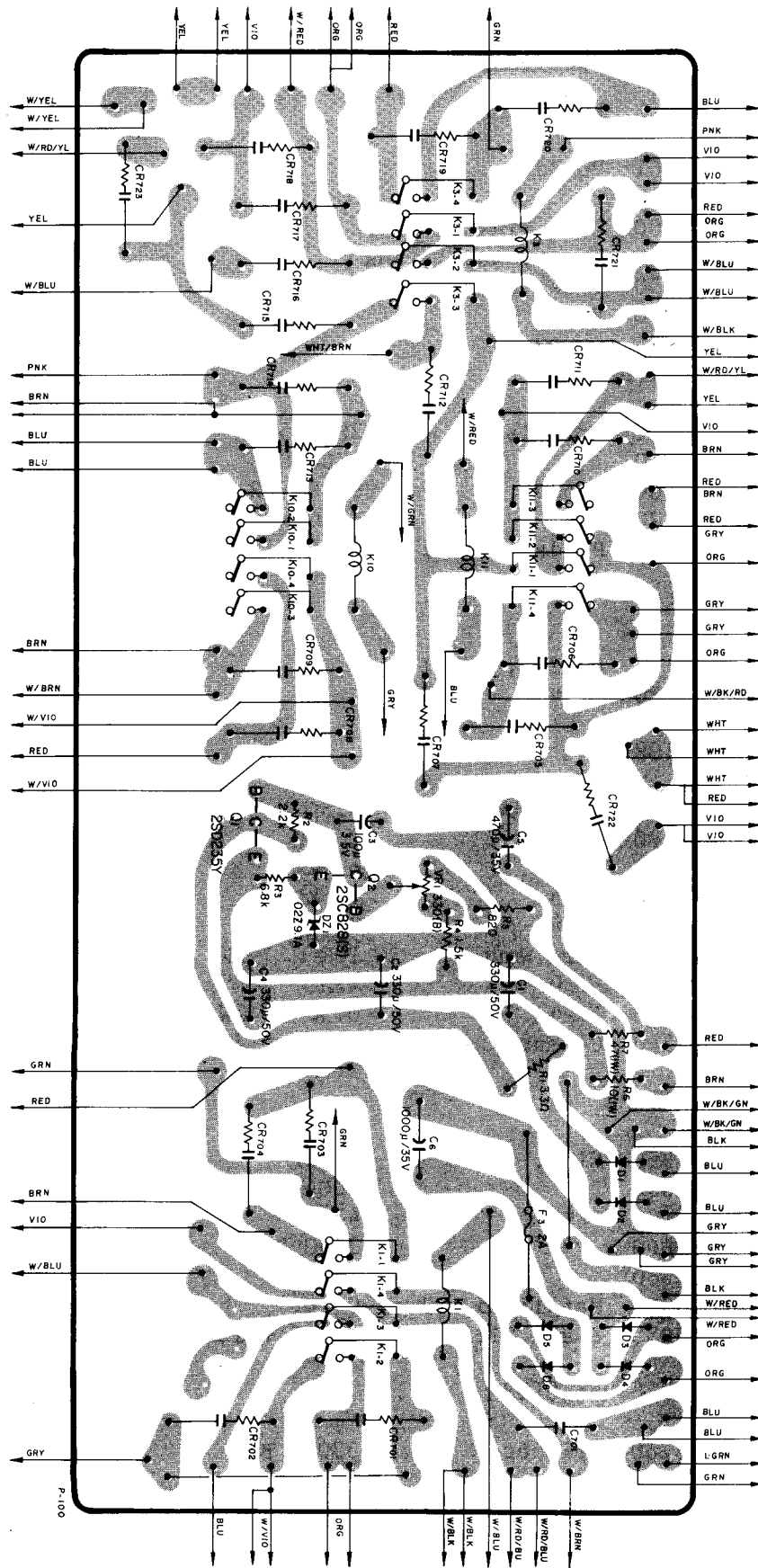
# 9. POWER SUPPLY (A-6100)



P-097

CIRCUIT REF. NO.	TEAC PARTS NO.	DESCRIPTION	REMARKS		
	51681062	PC Bd. Assy			
	51671061	PC Bd.			
	55505300	Heat Sink			
	50332910	Sheet, Insulating			
	50332950	Tube, Insulating			
F3	50411360	Fuse, 2A			
SEMICONDUCTORS					
Q1	50424620	Transistor,	2SD235-Y		
Q2	50424820	"	2SC828-S		
D1-D8	50422560	Diode,	SIB01-02		
D9	50422570	"	SIB01-06		
DZ1	50422980	Diode, Zener;	02Z9-1A		
RELAYS					
K11-K13	50611140	DC 24V, 3PDT			
K12	50611120	" DPDT			
RESISTORS					
R1	50525440	Wire Wound	3.3 $\Omega$	1W	
R2	50515380	Carbon	2.2k $\Omega$		
R3	50515470	"	6.8k $\Omega$		
R4	50515360	"	1.5k $\Omega$		
R5	50515330	"	820 $\Omega$		
R6	50526120	Wire Wound	10 $\Omega$	1W	
R7	50526270	"	47 $\Omega$	"	
R8	50526150	"	0.5 $\Omega$	2W	
R9	50520340	Cement	1.5 $\Omega$	3W	
CAPACITORS					
C1-C2-C4	50554990	Elec.	330 $\mu$ F		50V
C3	50554630	"	100 $\mu$ F		35V
C5	50554620	"	470 $\mu$ F		35V
C6	50555660	"	2200 $\mu$ F		16V
C7-C8	50551380	"	1000 $\mu$ F		35V
C701-709	50549920	Metalized Mylar	0.1 $\mu$ F		400V
CR701-703	50529050	Spark Killer	0.1 $\mu$ F + 120 $\Omega$		400V
VARIABLE RESISTOR					
VR1	50533760	Trimmer	330 $\Omega$	B	

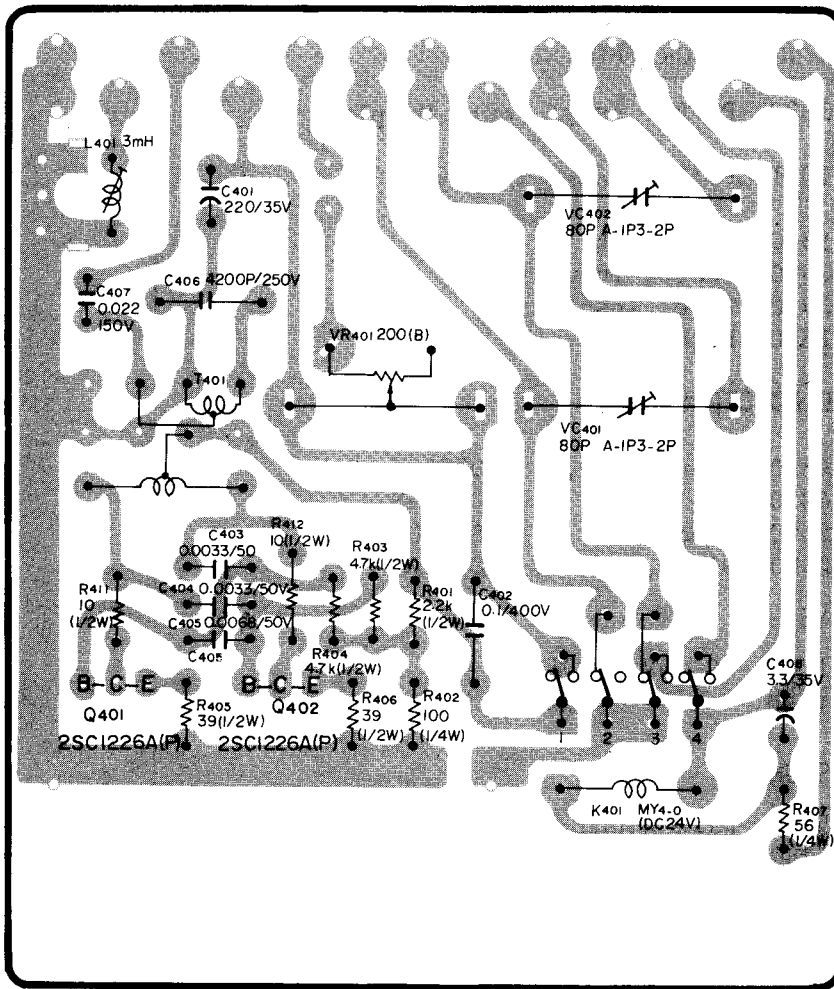
# 10. POWER SUPPLY (A-6300)



CIRCUIT REF. NO.	TEAC PARTS NO.	DESCRIPTION	REMARKS
	51691022	PC Bd. Assy, Power Supply	
	51671021	PC Bd. Power Supply	
	55505300	Heat Sink	
	50332910	Sheet, Insulating	
	50332950	Tube, Insulating	
F3	50411360	Fuse, 2A	
SEMICONDUCTORS			
Q1	50424620	Transistor,	2SD235-Y
Q2	50424820	"	2SC828-S
D1-D6	50422560	Diode,	SIB01-02
DZ1	50422980	Diode, Zener;	02Z9-1A
RELAYS			
K1•K3•K10	50611180	DC 24V, 4PDT	
K11	50611180	" 4PDT	
RESISTORS			
R1	50525440	Wire Wound	3.3 $\Omega$ 1W
R2	50515380	Carbon	2.2k $\Omega$
R3	50515470	"	6.8k $\Omega$
R4	50515360	"	1.5k $\Omega$
R5	50515330	"	820 $\Omega$
R6	50526120	Wire Wound	10 $\Omega$ 1W
R7	50526270	"	47 $\Omega$ "
CAPACITORS			
C1•C2•C4	50554990	Elec.	330 $\mu$ F 50V
C3	50554630	"	100 $\mu$ F 35V
C5	50554620	"	470 $\mu$ F 35V
C6	50551380	"	1000 $\mu$ F 35V
C701	50549920	Metalized Mylar	0.1 $\mu$ 400V
CR701-723	50529050	Spark Killer	0.1 $\mu$ F + 120 $\Omega$ 400V
VARIABLE RESISTOR			
VR1	50533760	Trimmer	330 $\Omega$ B



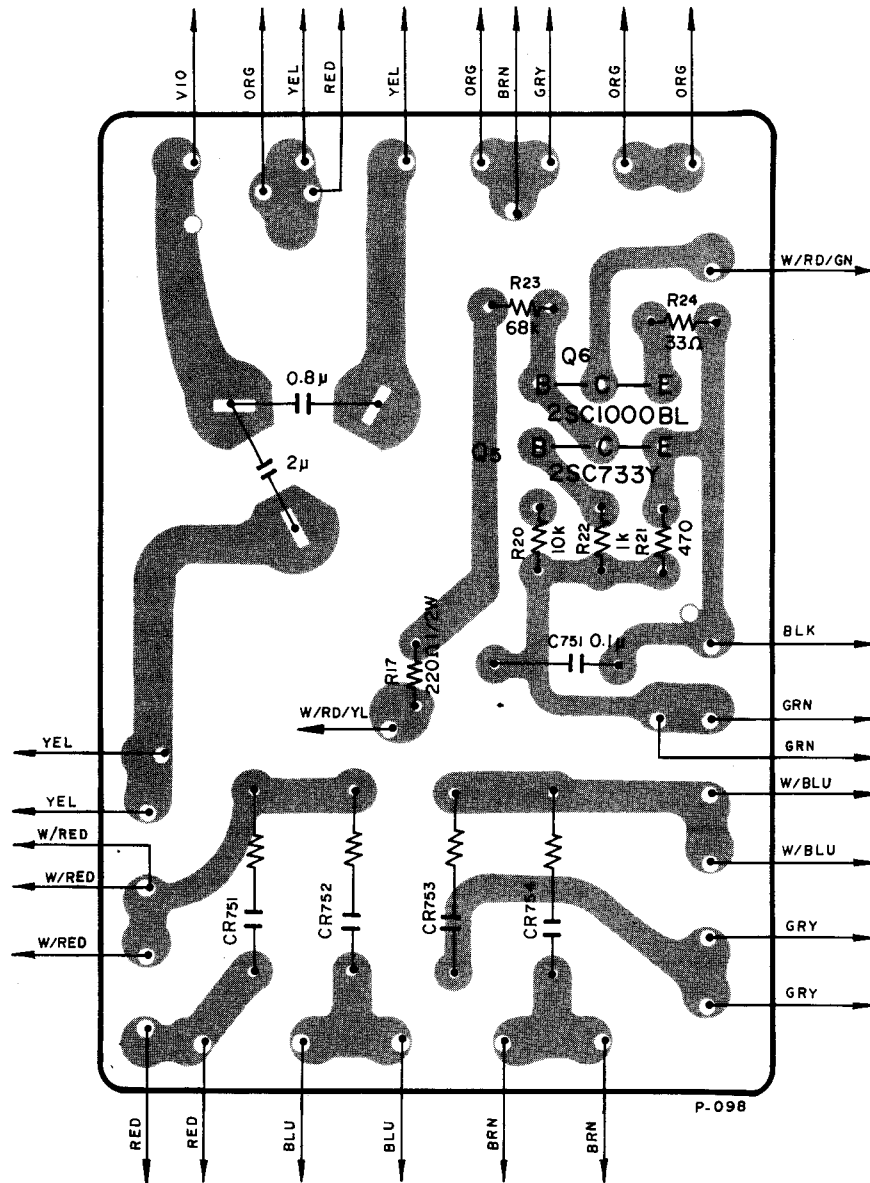
# 11. BIAS OSCILLATOR



CIRCUIT REF. NO.	TEAC PART NO.	DESCRIPTION
	51681341	PC Bd. Assy
	50484413	PC Bd.
TRANSISTORS		
Q401/Q402	50424450	2SC1226A-P
RELAY		
K401	50611180	DC 24V, 4PDT
CARBON RESISTORS		
R401	50514920	2.2kΩ 1/2W
R402	50515210	100Ω 1/4W
R403/R404	50574900	2.2kΩ 1/2W
R405/R406	50574480	39Ω "
R407	50515190	56Ω 1/4W
R411/R412	50570340	10Ω "
CAPACITORS		
C401	50554380	Elec. 220μF 35V

CIRCUIT REF. NO.	TEAC PARTS NO.	DESCRIPTION
C402	50549920	Mylar 0.1μF 400V
C403	50548810	" 0.0033μF 50V
C404	50548810	" 0.0033μF 50V
C405	50548930	" 0.0068μF 50V 5%
C406	50544040	Mica. 4200pF 250V
C407	50548740	Mylar 0.022μF 150V
C408	50555000	Elec. 3.3μF 35V
VARIABLE RESISTOR		
VR401	50539020	Trimmer 200Ω B
TRIMMER CAPACITORS		
VC401/402	50547070	MAX. 80pF
COILS		
T401	50563170	Coil, Bias Osc.
L401	50566581	Coil, Dummy 3mH
MISCELLANEOUS		
	50330930	Sheet, Insulating
	50330940	Tube, Insulating

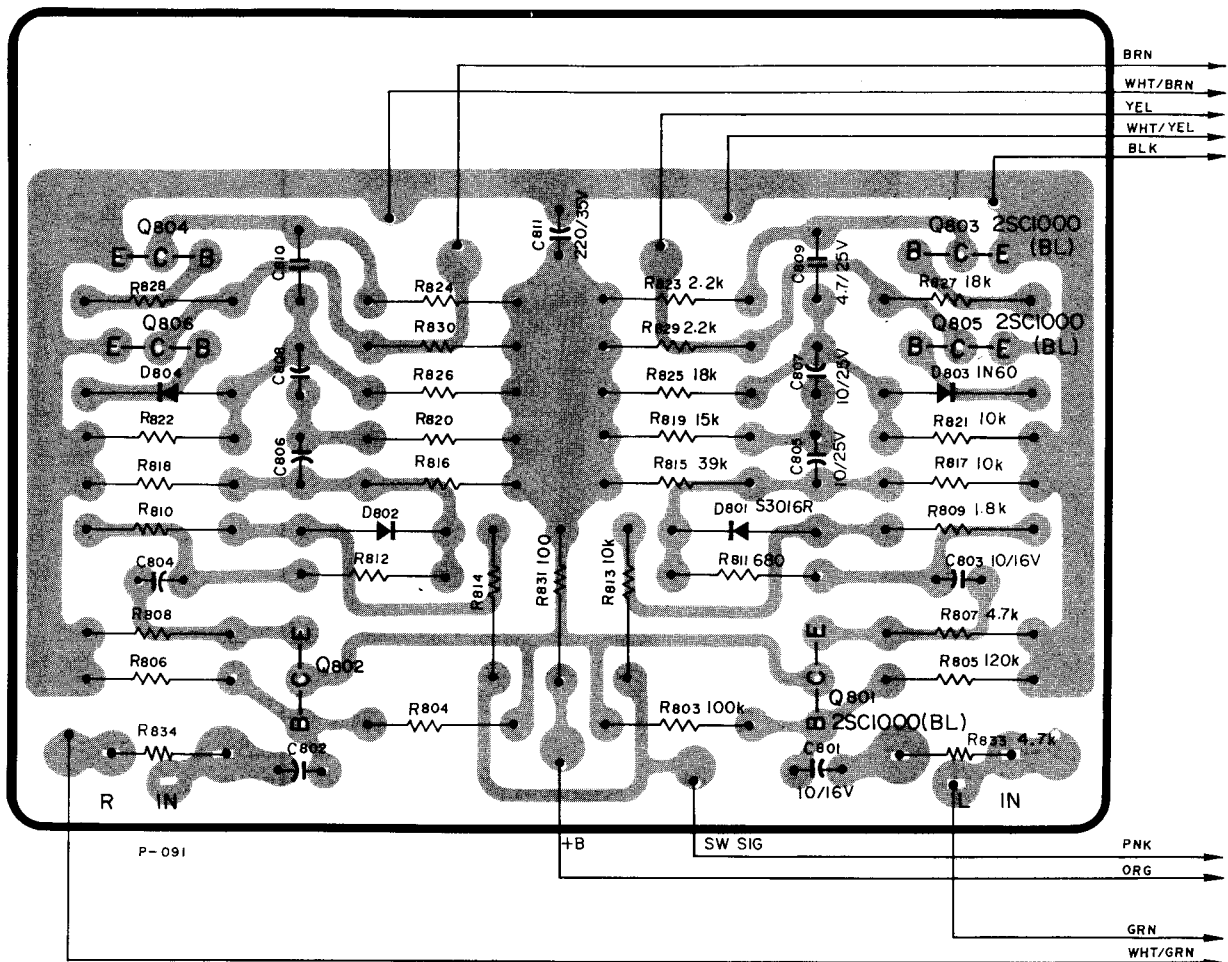
## 12. TERMINAL PC BOARD



CIRCUIT REF. NO.	TEAC PARTS NO.	DESCRIPTION
	51681030	PC Bd. Assy (A-6300)
	51681040	" (A-6100)
	51671030	PC Bd. (A-6100/A-6300)
TRANSISTORS		
Q5	50423510	2SC733-Y (A-6300)
Q6	50424340	2SC1000-BL ( " )
CARBON RESISTORS		
R17	50574660	220Ω 1/2W (A-6300)

CIRCUIT REF. NO.	TEAC PARTS NO.	DESCRIPTION
R20	50515490	10kΩ 1/4W
R21	50515300	470Ω "
R22	50515340	1kΩ "
R23	50515620	68kΩ "
R24	50515170	33Ω "
CAPACITORS		
C751	50549920	Metalized Mylar 0.1μF 400V (A-6300)
CR751-754	50529050	Spark Killer (A-6100/A-6300) 0.1μF + 120Ω 400V

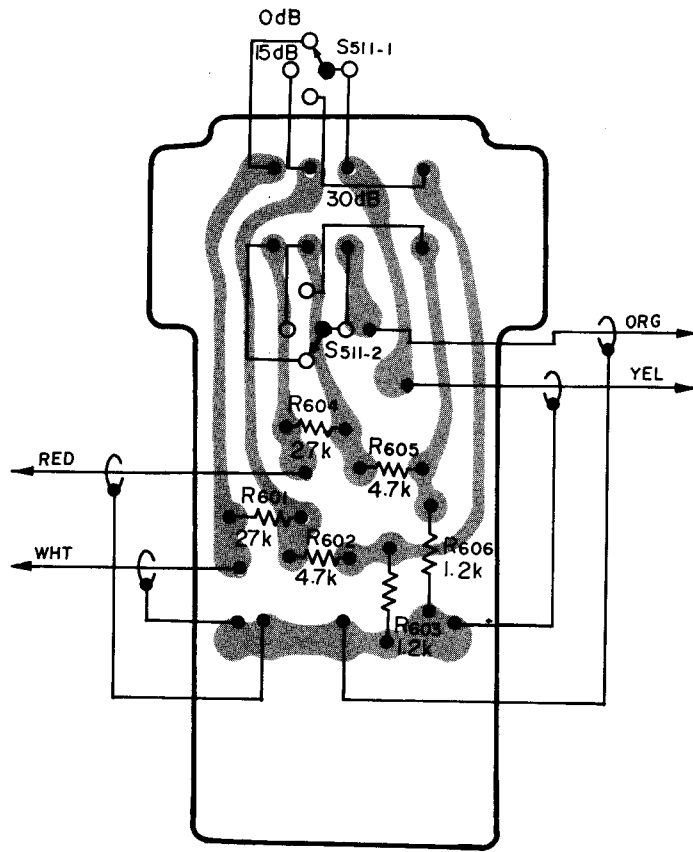
### 13. PEAK LEVEL INDICATOR AMPL.



CIRCUIT REF. NO.	TEAC PARTS NO.	DESCRIPTION
	51681371	PC Bd. Assy
	51671100	PC Bd.
TRANSISTORS		
Q801/Q802	50424340	2SC1000-BL
Q803/Q804	"	"
Q805/Q806	"	"
DIODES		
D801/D802	50422440	S3016R
D803/D804	50422130	IN60
CARBON RESISTORS		
R803/R804	50573300	100kΩ 1/4W
R805/R806	50573320	120kΩ "
R807/R808	50572980	4.7kΩ "
R809/R810	50572880	1.8kΩ "

CIRCUIT REF. NO.	TEAC PARTS NO.	DESCRIPTION
R811/R812	50572780	680Ω "
R813/R814	50573060	10kΩ "
R815/R816	50573200	39kΩ "
R817/R818	50573060	10kΩ "
R819/R820	50573100	15kΩ "
R821/R822	50573060	10kΩ "
R823/R824	50572900	2.2kΩ "
R825/R826	50573120	18kΩ "
R827/R828	50573120	18kΩ "
R829/R830	50572900	2.2kΩ "
R831	50572580	100Ω "
R833/R834	50572980	4.7kΩ "
CAPACITORS		
C801/C802	50554050	Elec. 10μF 16V
C803/C804	50554050	" 10μF 16V
C805/C806	50554040	" 10μF 25V
C807/C808	50554040	" 10μF 25V
C809/C810	50559090	Bi-polar 4.7μF 25V
C811	50554380	Elec. 220μF 35V

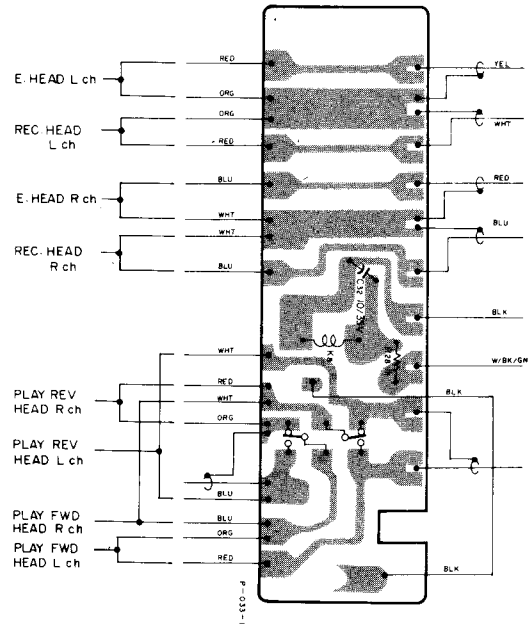
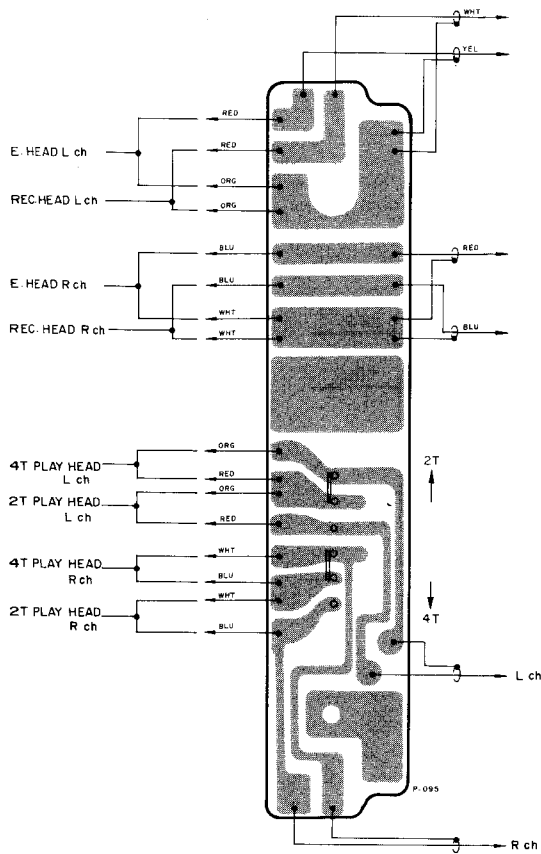
# 14. MIC ATTENUATOR



P-090

CIRCUIT	TEAC			REMARKS
REF. NO.	PARTS NO.	DESCRIPTION		
	51681110	PC Bd. Assy		
	51671110	PC Bd.		
	CARBON RESISTORS			
R601/R604	50571160	27k $\Omega$	1/4W	
R602/R605	50570980	4.7k $\Omega$	"	
R603/R606	50570840	1.2k $\Omega$	"	

# 15. HEAD PC BOARD

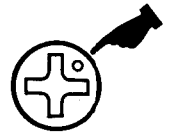


CIRCUIT REF. NO.	TEAC PARTS NO.	DESCRIPTION	REMARKS
	51681380	PC Bd. Assy	(A-6300)
	51681390	PC Bd. Assy	(A-6100)
	50483080	PC Bd.	(A-6300)
	51671120	PC Bd.	(A-6100)
	50444720	SW, Slide	"
K8	50611210	Relay, Head Selector	(A-6300)
R28	50515340	Carbon 1kΩ 1/4W	"
C32	50554510	Elec. 10μF 35V	"

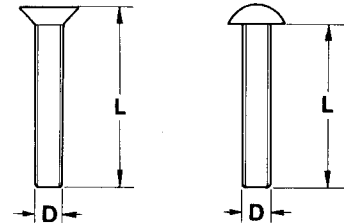
# HARDWARE NOMENCLATURE

All screws conform to **ISO** standards, and have cross-recessed heads, unless otherwise noted.

**ISO** screws have the head inscribed with a point as in the figure to the right.

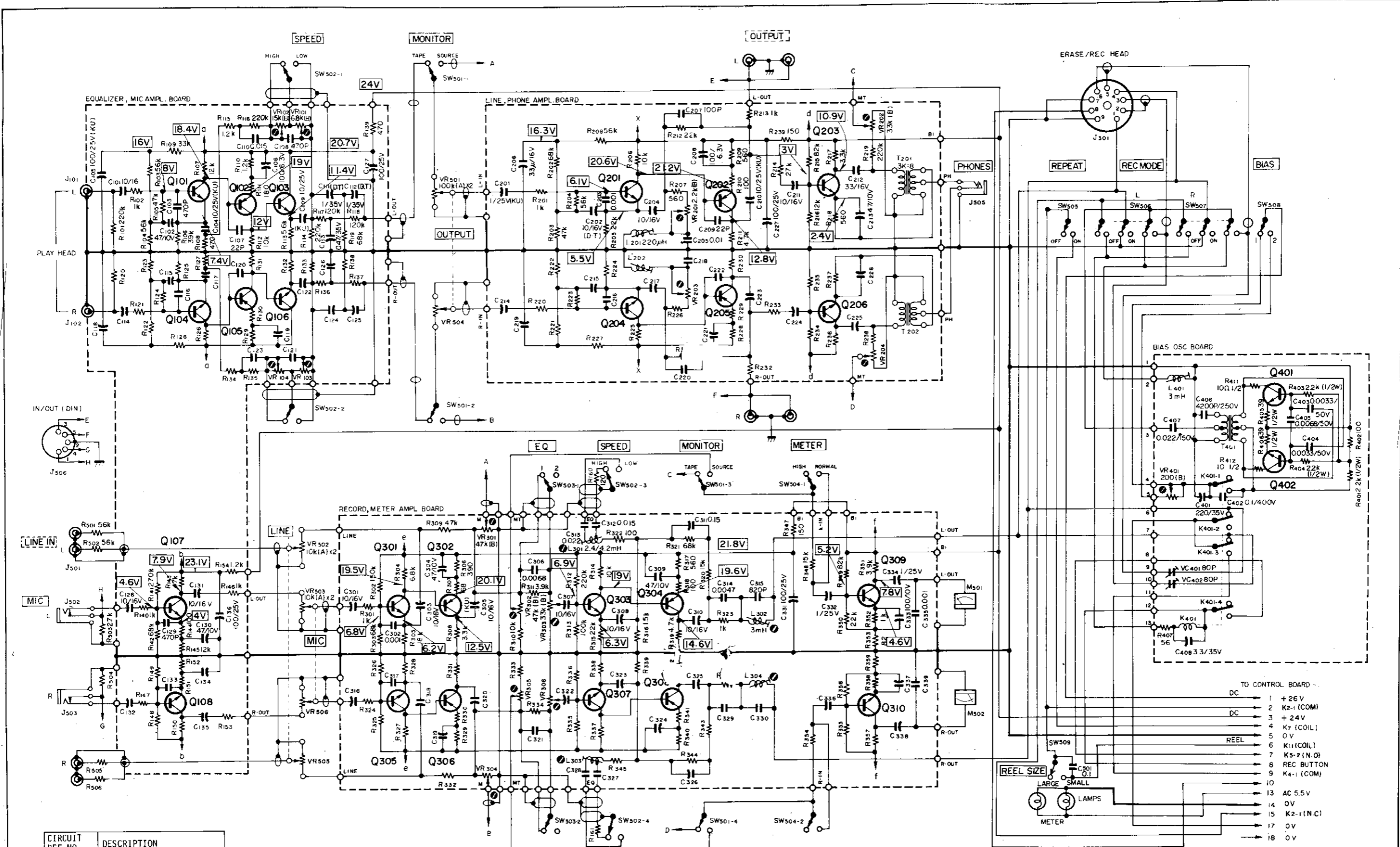


**FOR EXAMPLE:**  
**B M3 x 6**  
 Length in mm (L)  
 Diameter in mm (D)  
 Type of Head



	Abbreviation	Full Name	Type		Abbreviation	Full Name	Type
MACHINE SCREW	<b>R</b>	Round Head Screw		TAPPING SCREW	<b>BTA</b>	Binding Head Tapping Screw(A Type)	
	<b>P</b>	Pan Head Screw			<b>BTB</b>	Binding Head Tapping Screw(B Type)	
	<b>T</b>	Stove Head Screw (Truss)			<b>RTA</b>	Round Head Tapping Screw(A Type)	
	<b>B</b>	Binding Head Screw			<b>RTB</b>	Round Head Tapping Screw(B Type)	
	<b>F</b>	Flat Countersunk Head Screw		SETSCREW	<b>SF</b>	Hex Socket Setscrew(Flat Point)	
	<b>O</b>	Oval Countersunk Head Screw			<b>SC</b>	Hex Socket Setscrew(Cup Point)	
WOOD SCREW	<b>RW</b>	Round Head Wood Screw		<b>SS</b>	Slotted Socket Setscrew(Flat Point)		
	<b>FW</b>	Flat Countersunk Wood Screw		WASHER	<b>E</b>	E-Ring (Retaining Washer)	
	<b>OW</b>	Oval Countersunk Wood Screw			<b>W</b>	Flat Washer (Plain)	
SEMS SCREW	<b>BSA</b>	Binding Head SEMS Screw(A Type)			<b>SW</b>	Lock Washer (Spring)	
	<b>BSB</b>	Binding Head SEMS Screw(B Type)			<b>LWI</b>	Lock Washer (Internal Teeth)	
	<b>BSF</b>	Binding Head SEMS Screw(F Type)			<b>LWE</b>	Lock Washer (External Teeth)	
	<b>PSA</b>	Pan Head SEMS Screw(A Type)		<b>TW</b>	Trim Washer (Countersunk)		
	<b>PSB</b>	Pan Head SEMS Screw(B Type)		NUT	<b>N</b>	Hex Nut	

T-310



CIRCUIT REF. NO.	DESCRIPTION
VR101/103	Playback EQ(19cm/s)
VR102/104	Playback EQ(9.5cm/s)
VR201/203	Playback Level Adj.
VR202/204	Meter Level Adj.(Play)
VR301/304	Source Level Adj.
VR302/305	Meter Level Adj.(Source)
VR303/306	Record Level Adj.
VC401/402	Bias Adj.(1)
VR401	Bias Adj.(2)
L201/202	Bias Trap
L301/303	Record EQ
L302/304	Bias Trap
L401	Dummy Coil

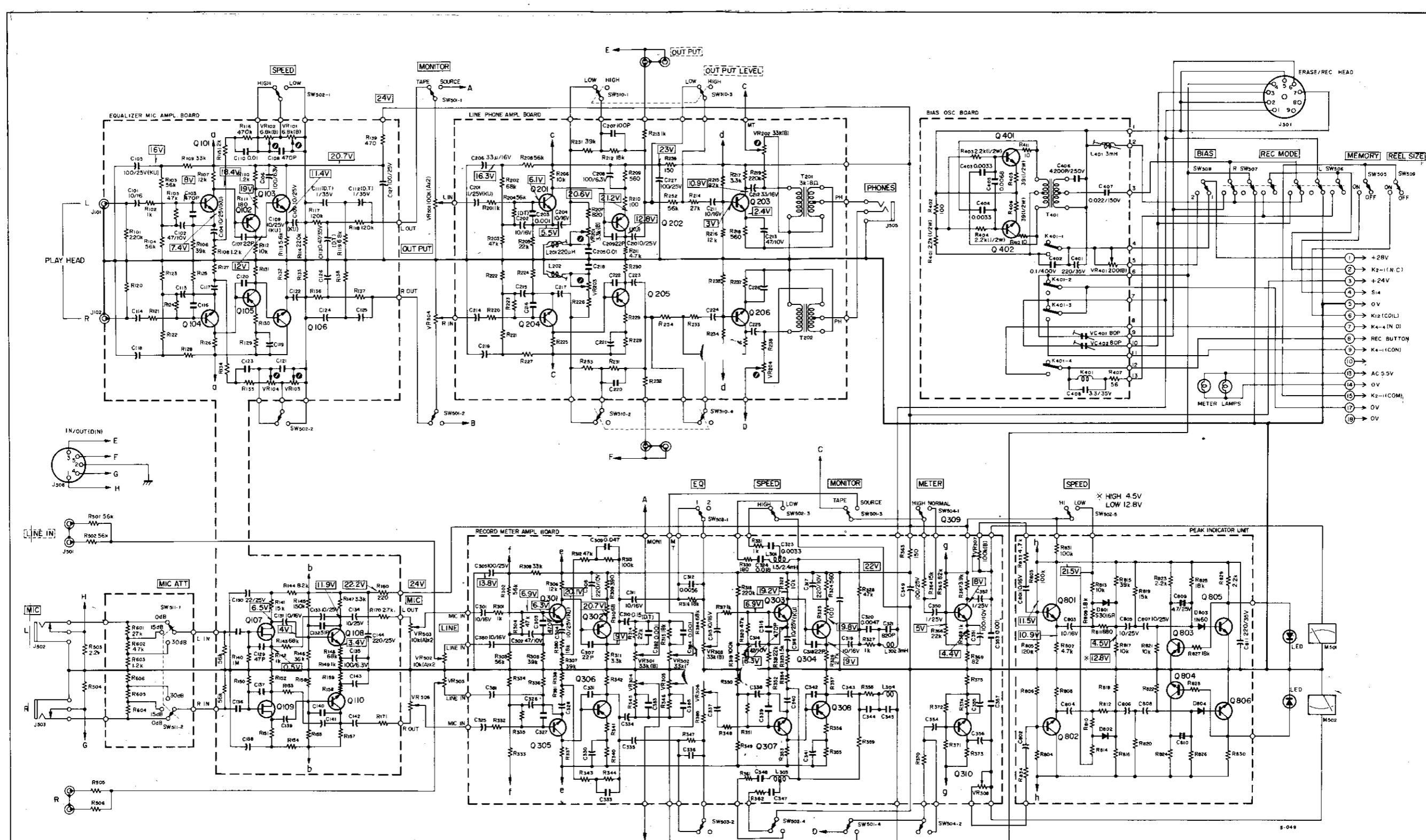
CIRCUIT REF. NO.	DESCRIPTION	CIRCUIT REF. NO.	DESCRIPTION
Q101/104	2SC1345(E)	Q301/305	2SC644(T)
Q102/105	2SA763(YL)-5	Q302/306	2SA763(YL)-5
Q103/106	2SC828(S)	Q303/307	2SC644(T)
Q107/108	2SC1345(EorF)	Q304/308	2SA763(YL)-5
Q201/204	2SC644(T)	Q309/310	2SC828(S)
Q202/205	2SA763(YL)-5	Q401/402	2SC1226A(P)
Q203/206	2SC828(S)		

NOTES  
 Schematic diagram shown in the PLAYBACK mode  
 All resistors values in ohms, 1/4 watt, k=1,000 ohms  
 All capacitors values in microfarads  
 ⚙ : Screwdriver adjustment  
 [ ] : on front panel [ ] : on rear panel  
 MONITOR switch shown in the TAPE position  
 TAPE SPEED switch shown in the HIGH position

REVISION	DATE	CHANGE NO.
6		
5		
4		
3		
2		
1	6-74	

TO CONTROL BOARD ..  
 DC 1 +26V  
 DC 2 K2-1(COM)  
 DC 3 +24V  
 4 K7 (COL)  
 5 0V  
 REEL 6 K11(COIL)  
 7 K5-2(N.O)  
 8 REC BUTTON  
 9 K4-1 (COM)  
 10  
 13 AC 5.5V  
 14 0V  
 15 K2-1(N.C)  
 17 0V  
 18 0V

**PREAMPLIFIER**  
 MODEL NO. **A-6300** SHEET NO. **1**  
**TEAC CORPORATION**



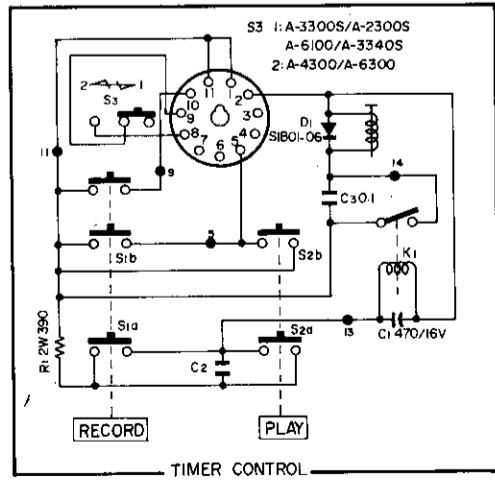
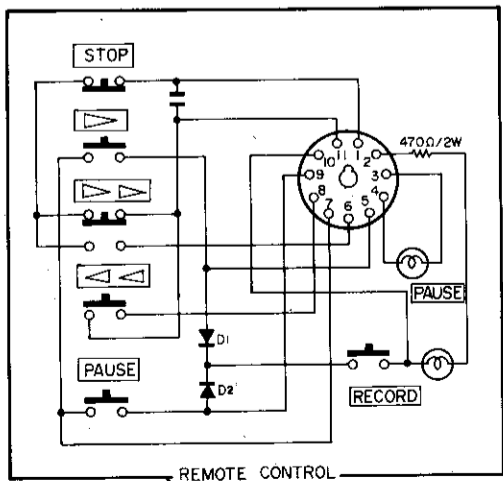
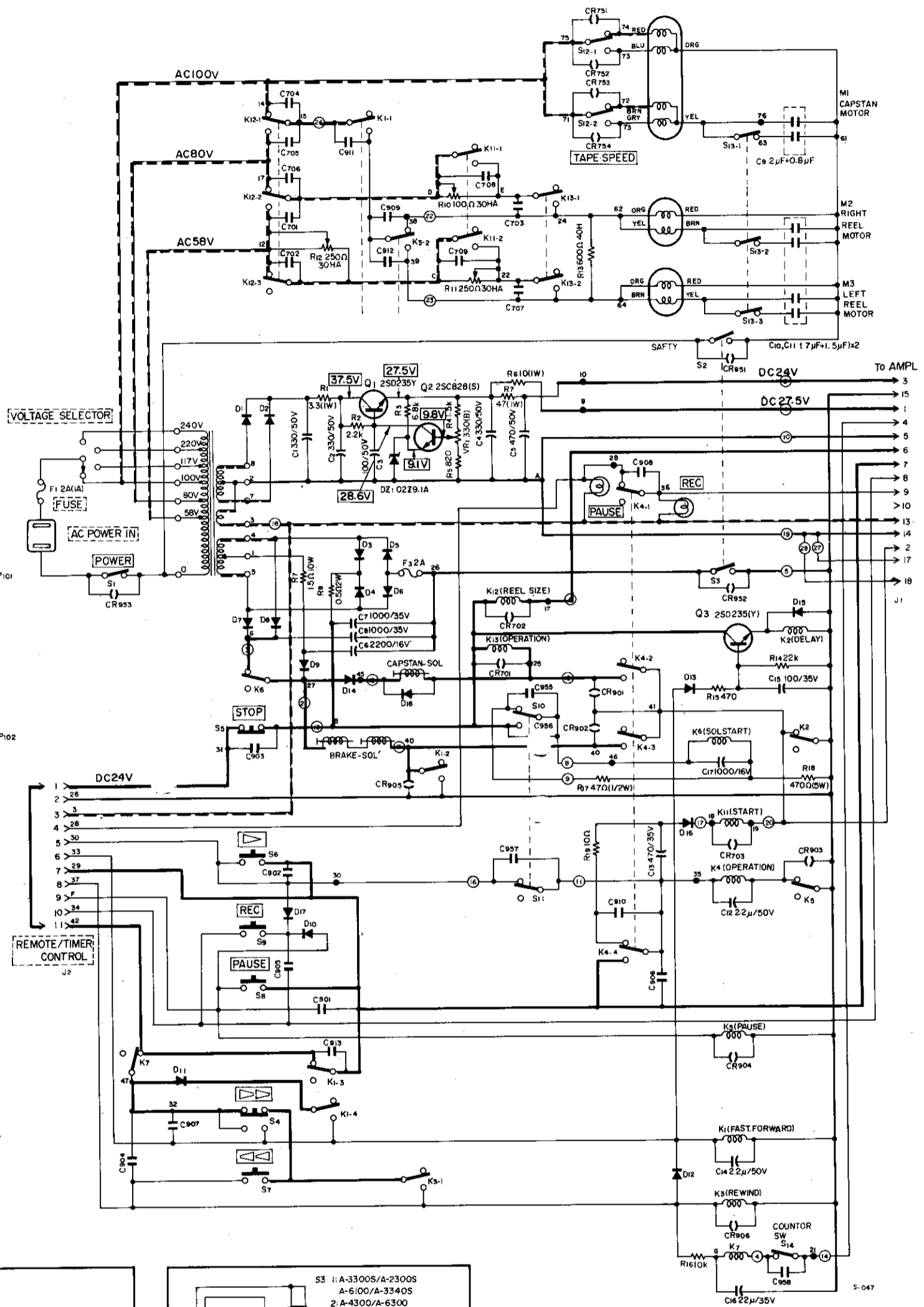
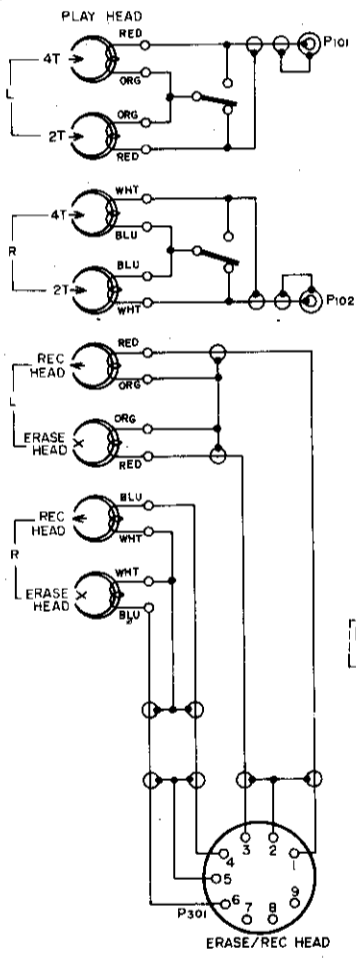
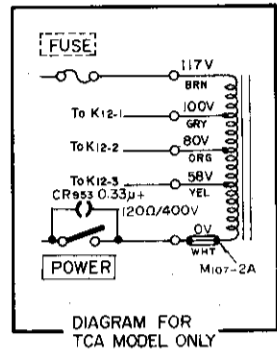
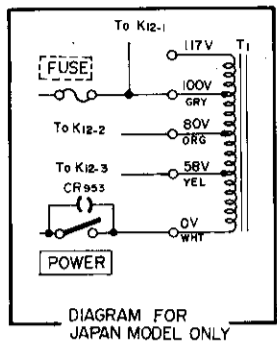
CIRCUIT REF. NO.	DESCRIPTION	CIRCUIT REF. NO.	DESCRIPTION	CIRCUIT REF. NO.	DESCRIPTION
VR101/103	Playback EQ (38cm/s)	Q101/104	2SC1345(EorS)	Q301/305	2SC644(T)
VR102/104	Playback EQ (19cm/s)	Q102/105	2SA763(YL)-5	Q302/306	2SA763(YL)-5
VR201/203	Playback Level Adj.	Q103/106	2SC828(S)	Q303/307	2SC644(T)
VR202/204	Meter Level Adj. (Play)	Q107/109	25X30 (Y)	Q304/308	2SA763(YL)-5
VR301/304	Source Level Adj.	Q108/110	2SC1000(GR)	Q309/310	2SC828(S)
VR302/305	Meter Level Adj. (Source)	Q201/204	2SC644(T)	Q401/402	2SC1225(A)
VR303/306	Record Level Adj.	Q202/205	2SA763(YL)-5	Q801/802	2SC1000(BL)
VR307/308	Peak Lamp Level Adj.	Q203/206	2SC828(S)	Q803/804	2SC1000(BL)
VC401/402	Bias Adj. (1)			Q805/806	2SC1000(BL)
VR401	Bias Adj. (2)				
L201/202	Bias Trap				
L301/303	Record EQ				
L302/304	Bias Trap				
L401	Dummy Coil				

NOTES  
 Schematic diagram shown in the PLAYBACK mode  
 All resistors values in ohms, 1/4 watt, k=1,000 ohms  
 All capacitors values in microfarads  
 : Screwdriver adjustment  
 : on front panel : on rear panel  
 MONITOR Switch shown in the TAPE position  
 TAPE SPEED switch shown in the HIGH position

6		
5		
4		
3		
2		
1	5	74

**PREAMPLIFIER**  
 MODEL NO. **A-6100** SHEET NO. **1**  
**TEAC CORPORATION**

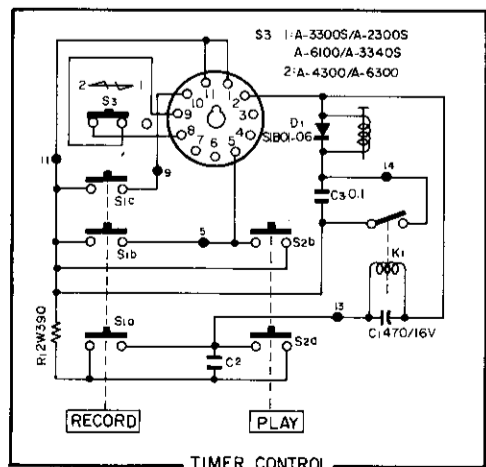
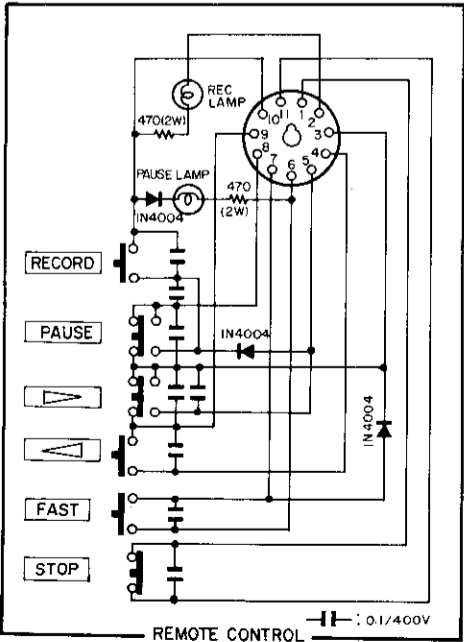
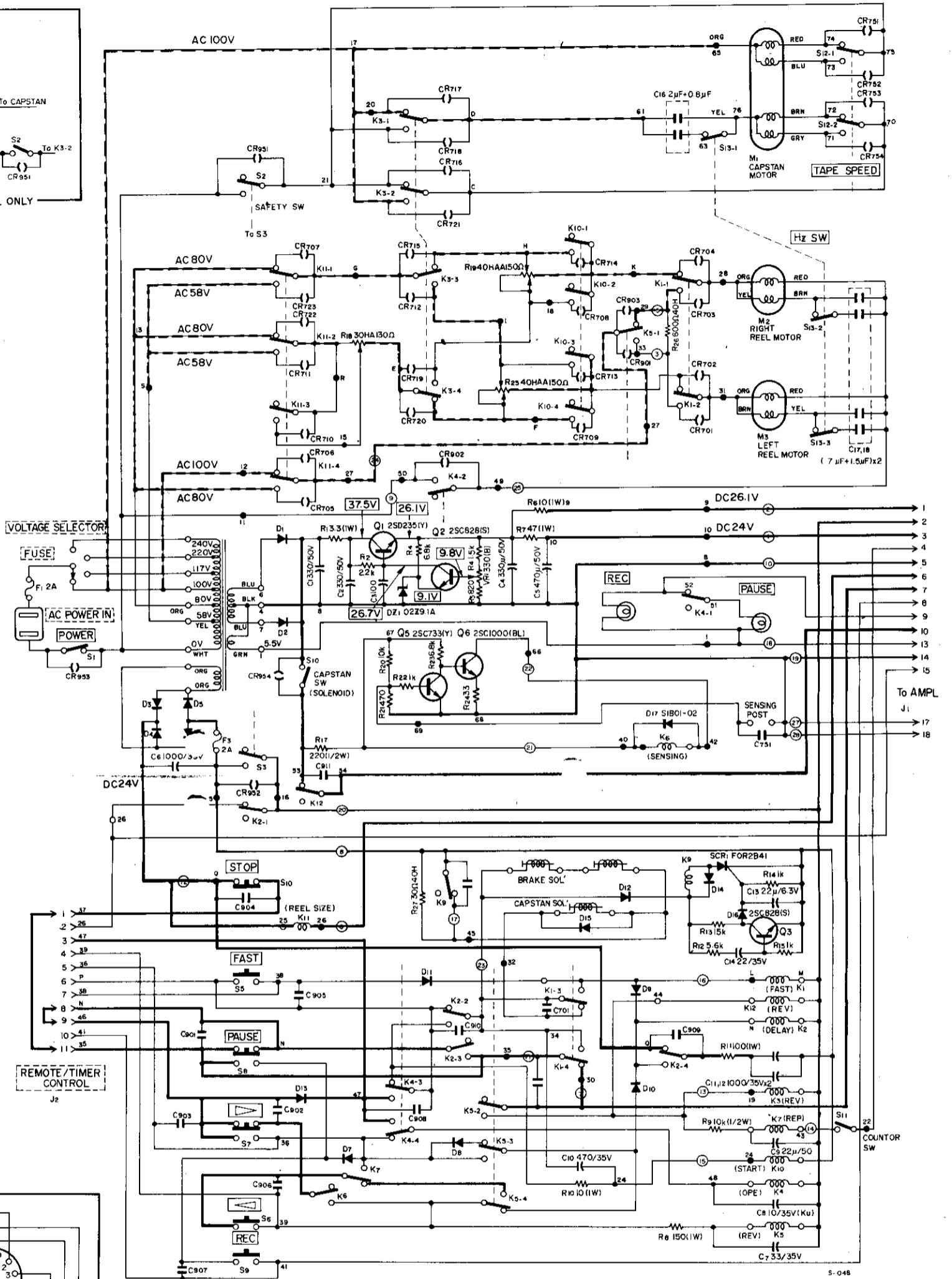
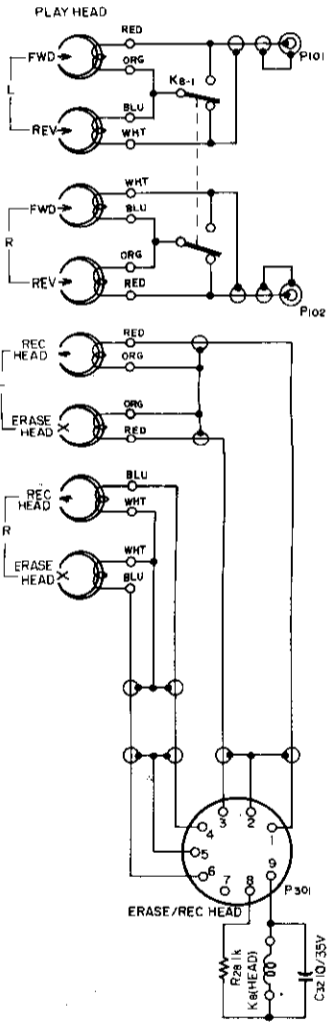
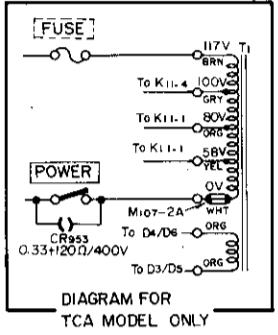
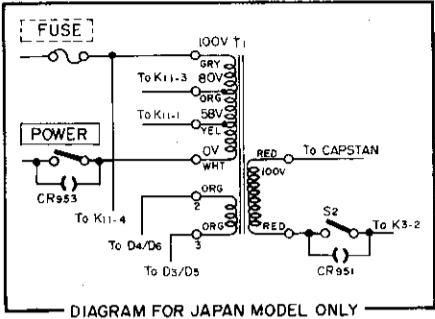




NOTES  
 Frequency Conversion switch shown in the 60 Hz position  
 All relays shown in STOP mode (de-energized)  
 ———: Indicates DC supply voltage  
 - - - - : Indicates AC supply voltage

6			
5			
4			
3			
2			
1	6-74		
REVISION	DATE	CHANGE NO.	

**TAPE TRANSPORT**  
 MODEL NO. **A-6100** SHEET NO. **1**  
**TEAC CORPORATION**



NOTES  
 Frequency Conversion switch shown in the 60 Hz position  
 All relays shown in STOP mode (de-energized)  
 ——— : Indicates DC supply voltage  
 - - - - : Indicates AC supply voltage

6		
5		
4		
3		
2		
1	6-74	
REVISION	DATE	CHANGE NO.

**TAPE TRANSPORT**  
 MODEL NO. **A-6300** SHEET NO. **1**  
**TEAC CORPORATION**