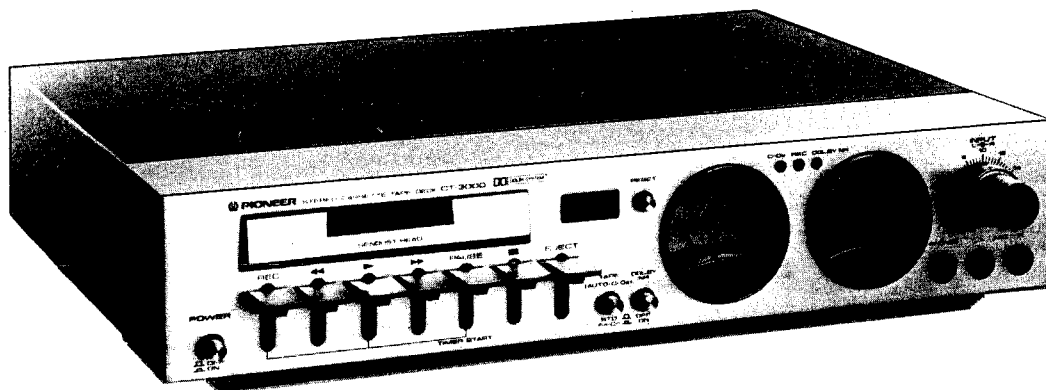
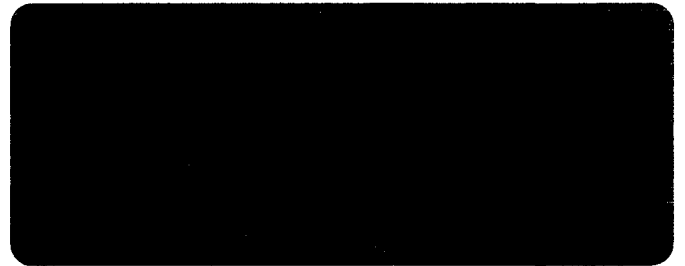


CASSETTE TAPE DECK

# CT-3000

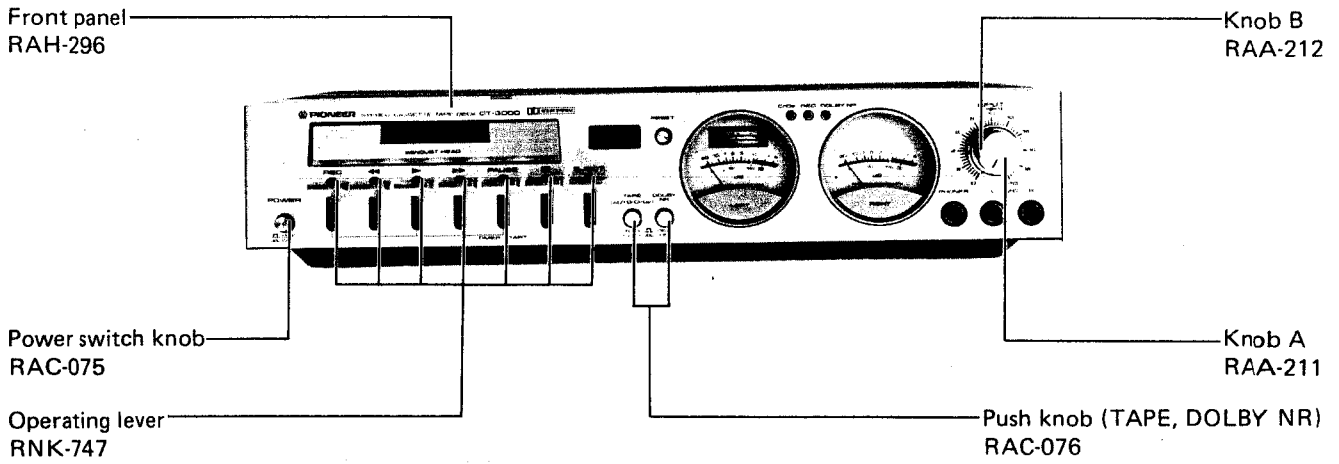
## SERVICE MANUAL



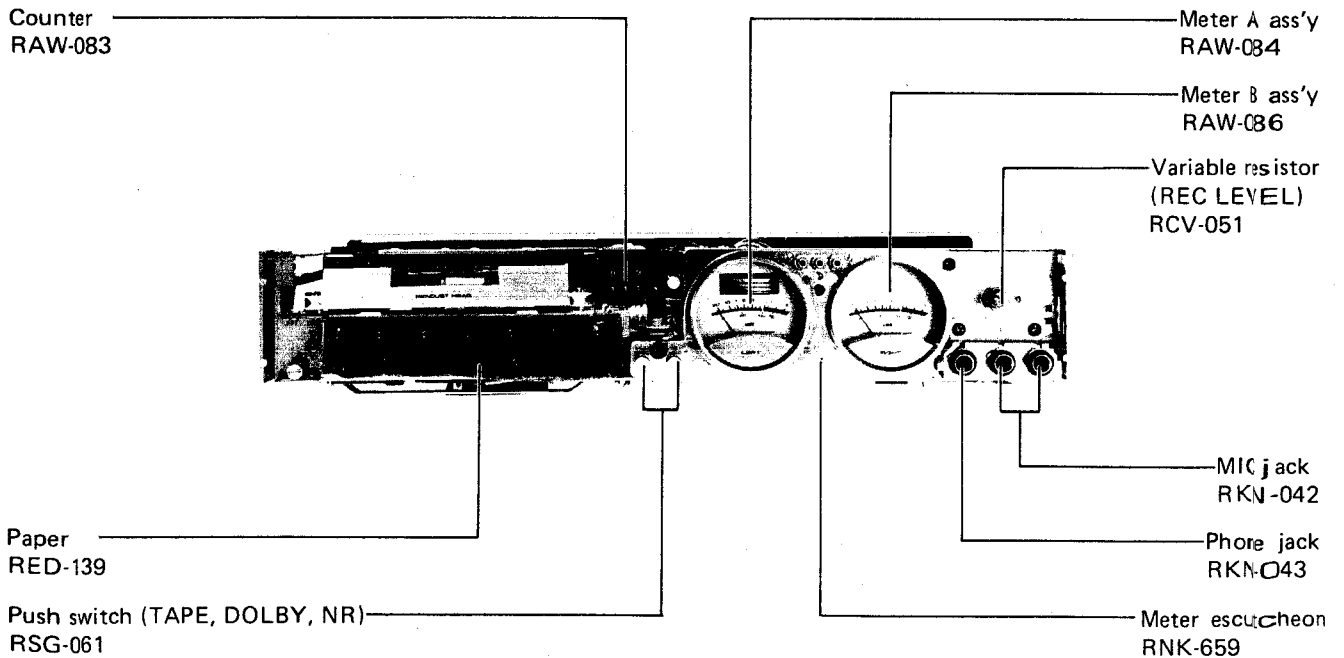
 PIONEER®

# PARTS LOCATION

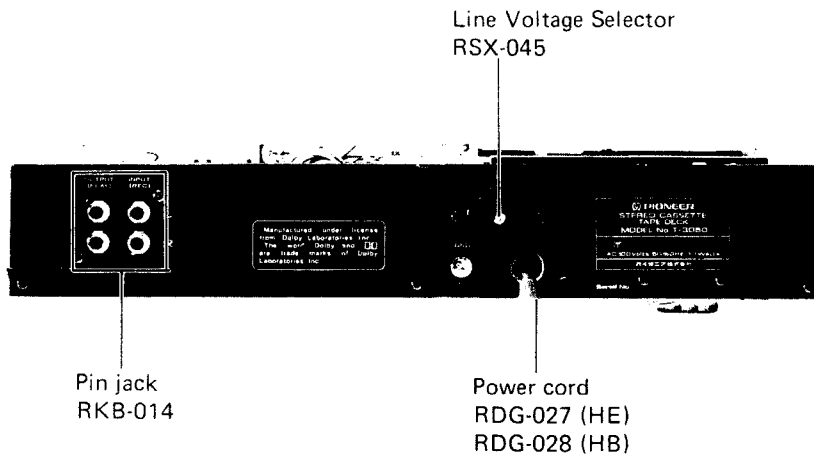
## ■ FRONT PANEL VIEW



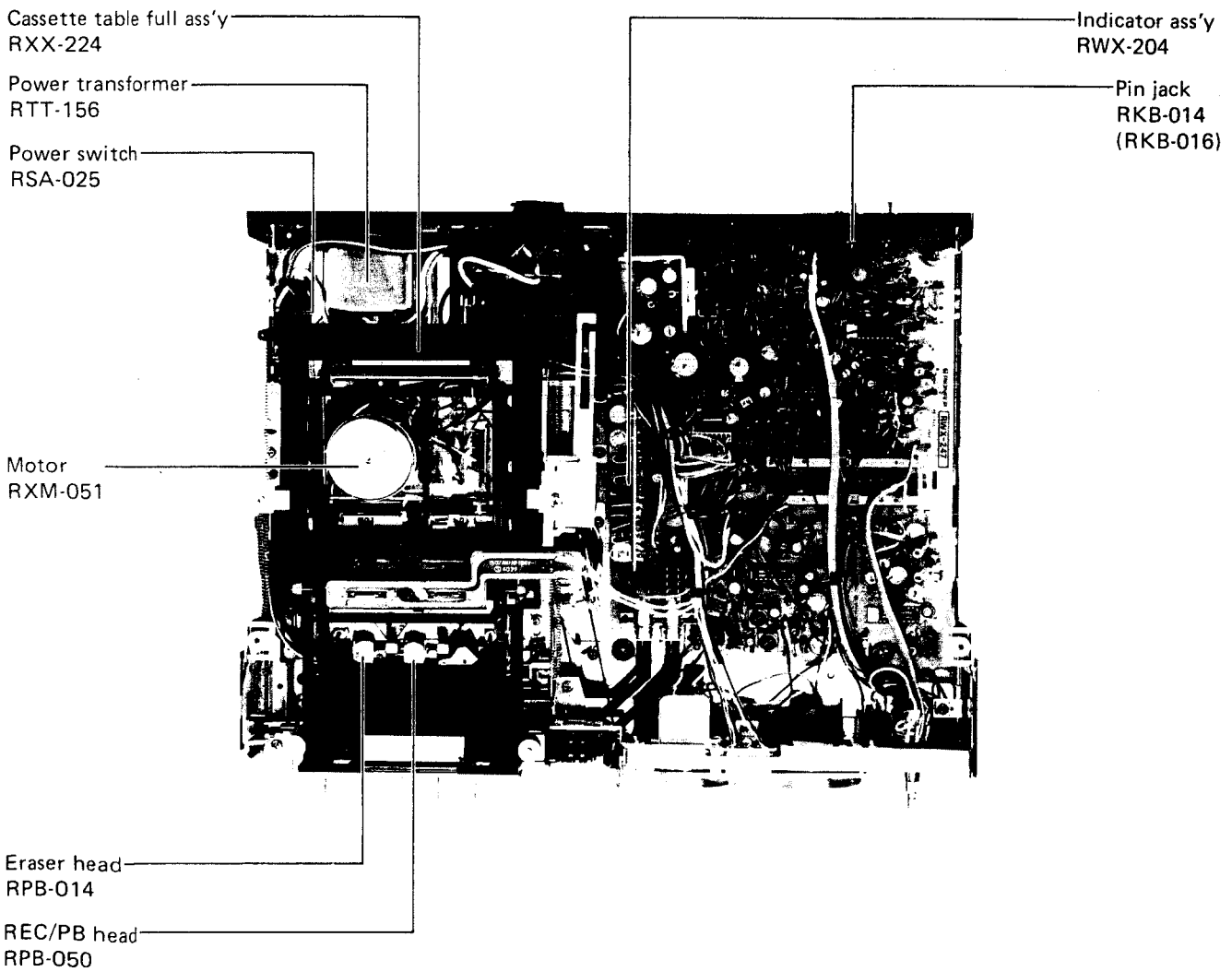
## ■ FRONT VIEW WITH FRONT PANEL REMOVED



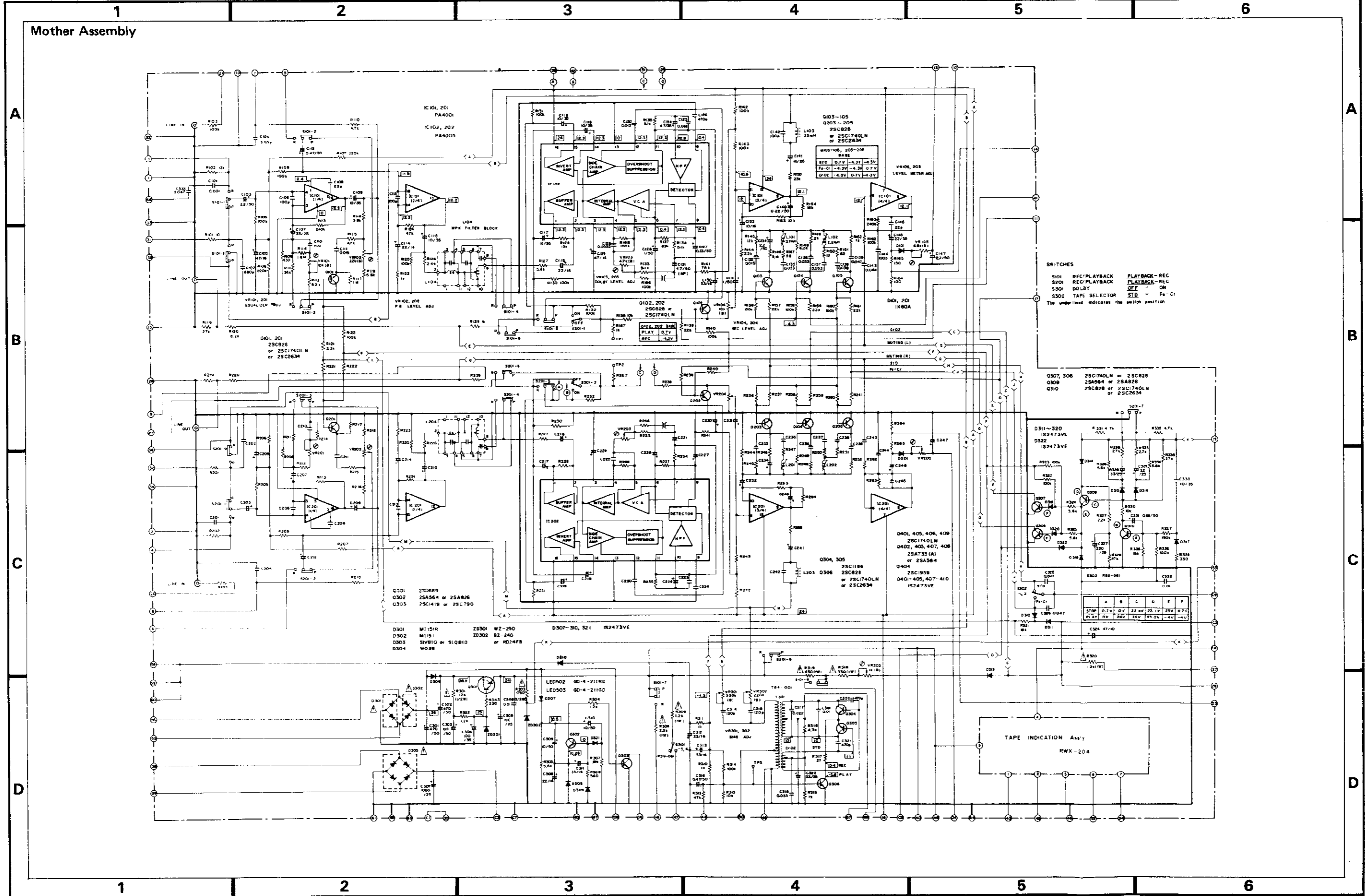
■ **REAR PANEL VIEW**



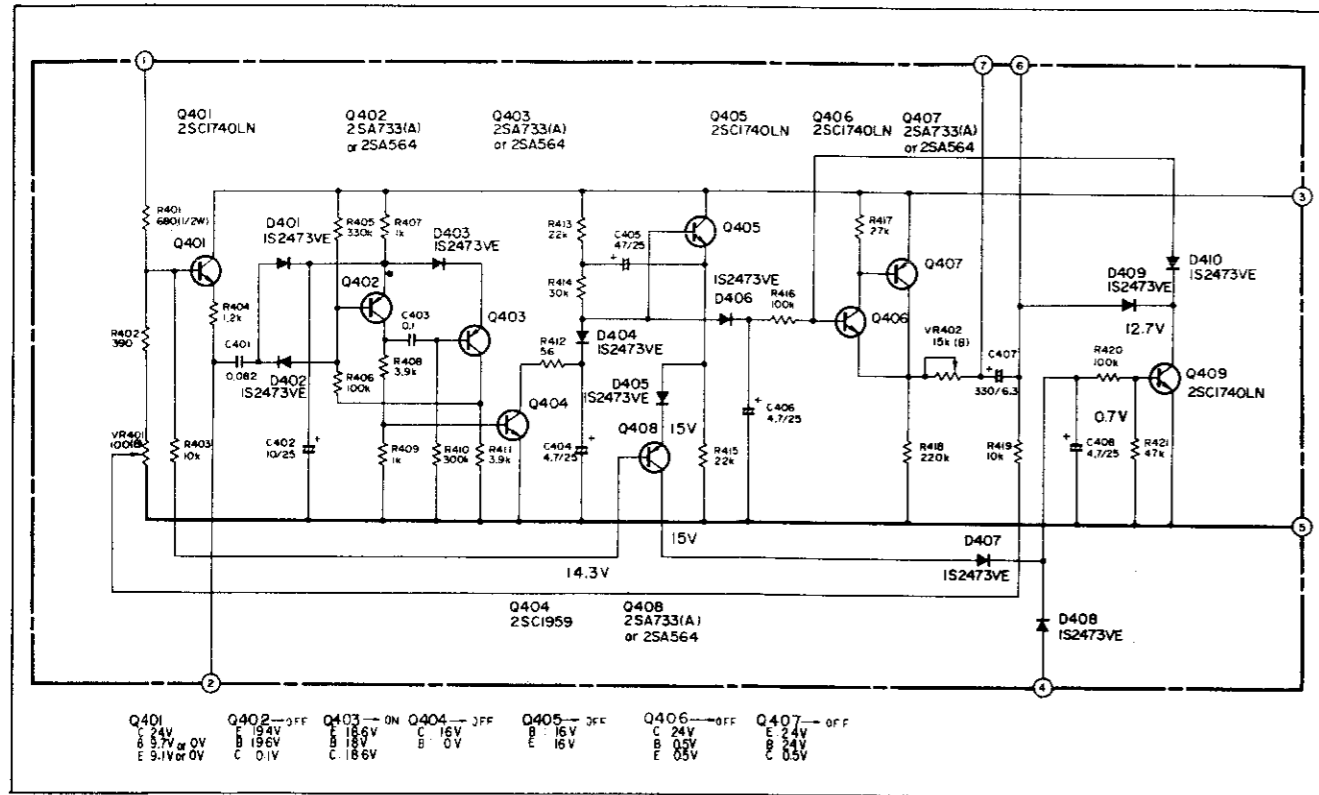
■ **TOP VIEW WITH BONNET REMOVED**



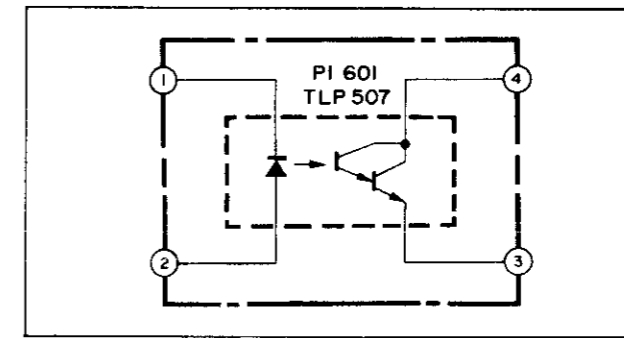
Mother Assembly



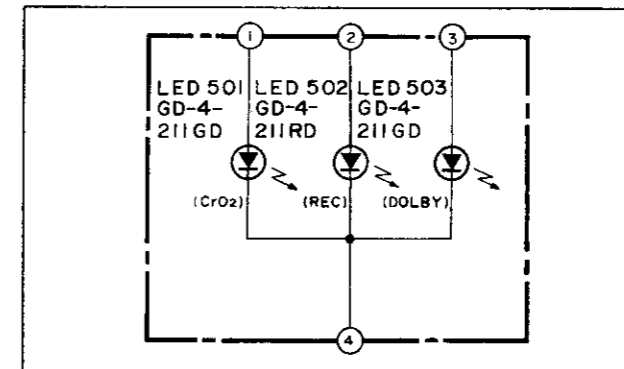
**TAPE INDICATION ASSEMBLY (RW-204)**



**SENSING ASSEMBLY**



**LED ASSEMBLY**



# EXPLODED VIEWS

## EXTERIOR

NOTE:  
Parts indicated in   type cannot be supplied.

A

B

C

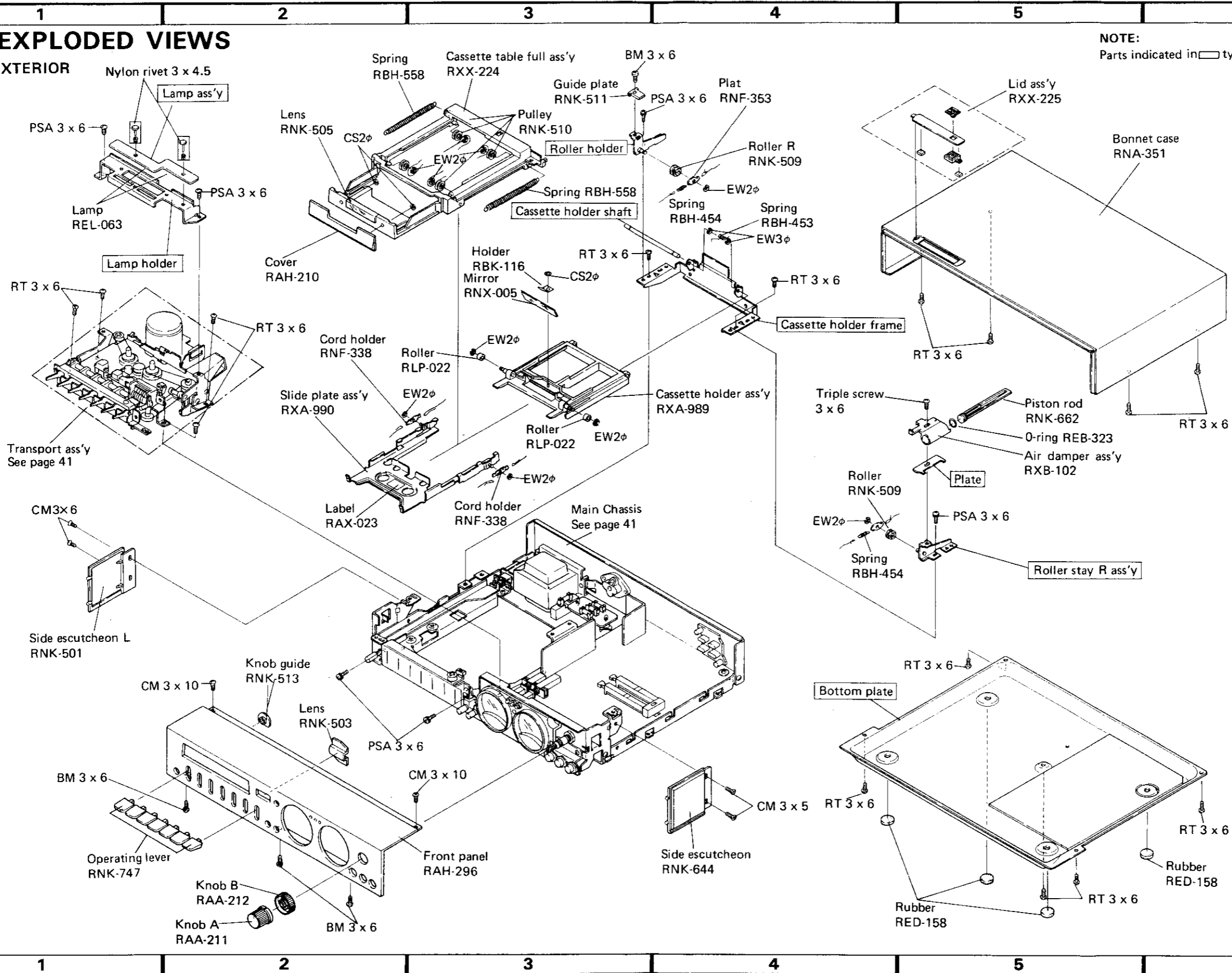
D

A

B

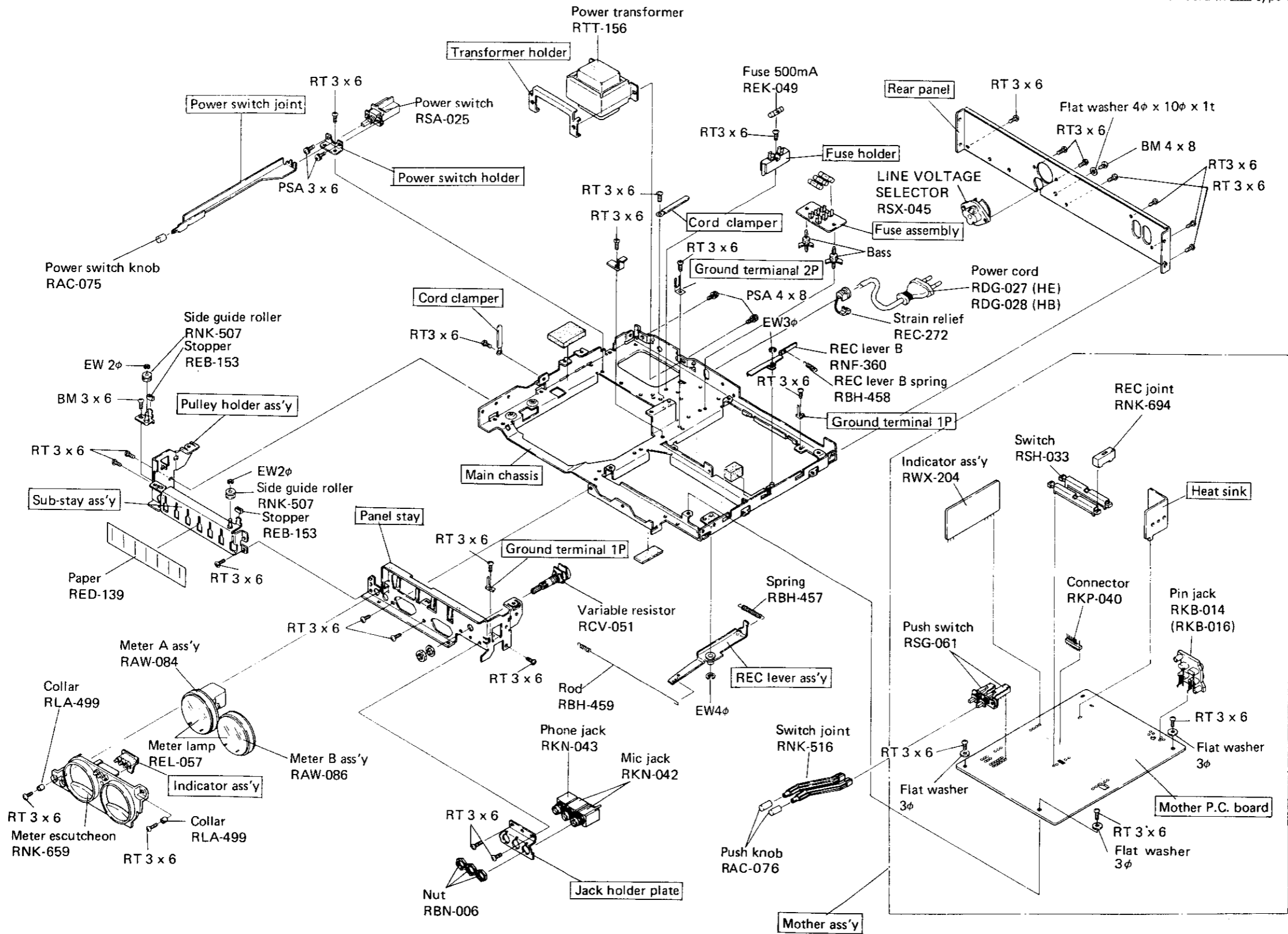
C

D



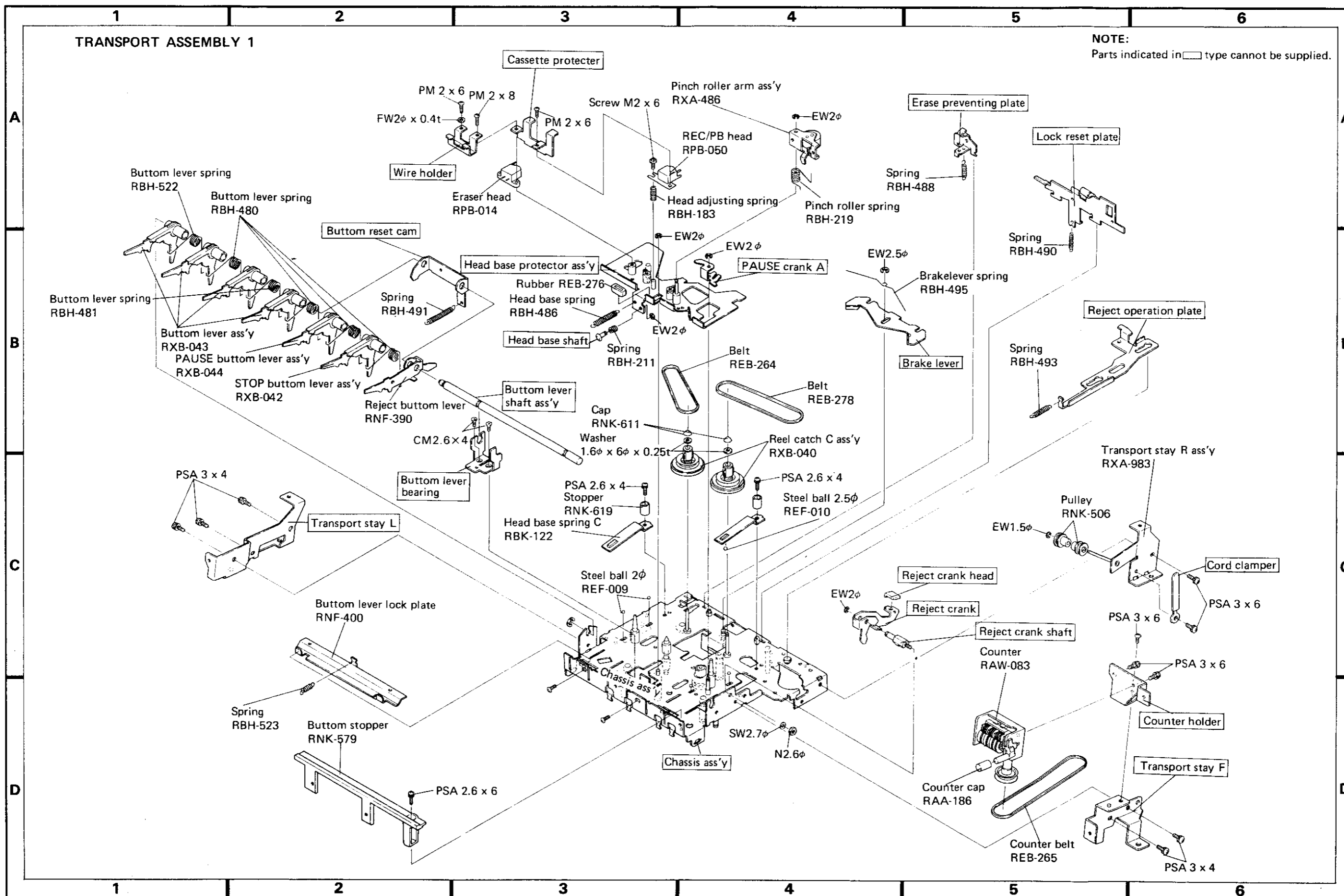
MAIN CHASSIS

NOTE:  
Parts indicated in   type cannot be supplied.



TRANSPORT ASSEMBLY 1

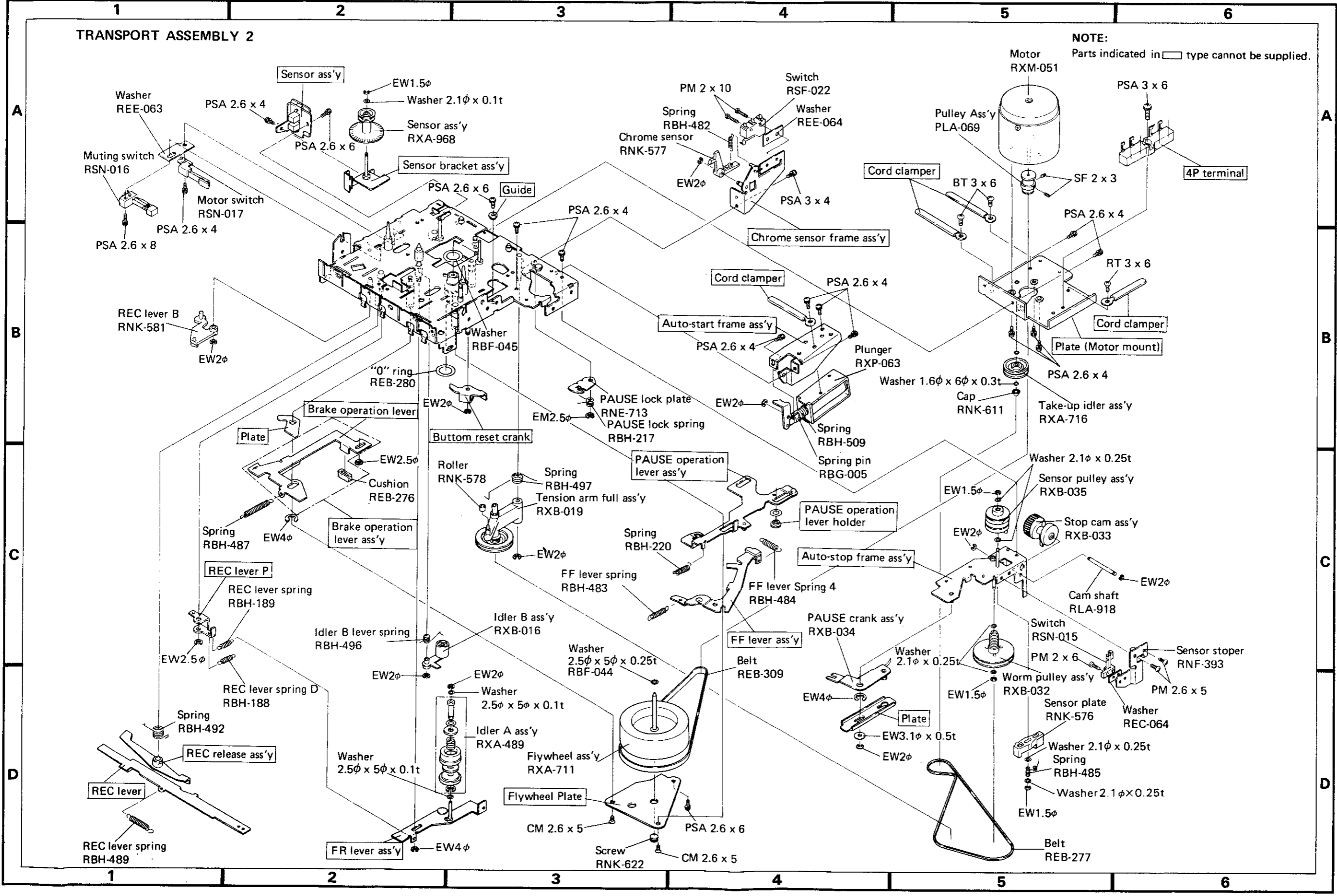
NOTE:  
Parts indicated in   type cannot be supplied.





# TRANSPORT ASSEMBLY 2

NOTE:  
Parts indicated in   type cannot be supplied.



Washer REE-063  
PSA 2.6 x 4  
Sensor ass'y  
PSA 2.6 x 6  
Muting switch RSN-016  
Motor switch RSN-017  
PSA 2.6 x 8  
PSA 2.6 x 4

REC lever B RNK-581  
EW2φ

Brake operation lever  
Plate  
EW2.5φ  
Cushion REB-276  
Spring RBH-487  
EW4φ  
Brake operation lever ass'y

REC lever P  
REC lever spring RBH-189  
EW2.5φ  
REC lever spring D RBH-188  
Spring RBH-492

REC lever  
REC lever spring RBH-489

EW1.5φ  
Washer 2.1φ x 0.1t  
Sensor ass'y RXA-968  
Sensor bracket ass'y  
PSA 2.6 x 6  
Guide  
PSA 2.6 x 4

"O" ring REB-280  
EW2φ  
Buttom reset crank  
Roller RNK-578  
Spring RBH-497  
Tension arm full ass'y RXB-019  
EW2φ

Idler B ass'y RXB-016  
Idler B lever spring RBH-496  
EW2φ  
Washer 2.5φ x 5φ x 0.1t  
Idler A ass'y RXA-489  
Washer 2.5φ x 5φ x 0.1t  
Flywheel ass'y RXA-711  
Flywheel Plate  
CM 2.6 x 5  
Screw RNK-622  
CM 2.6 x 5

EM2.5φ  
PAUSE lock plate RNE-713  
PAUSE lock spring RBH-217  
PAUSE operation lever ass'y  
Spring RBH-220  
FF lever spring RBH-483  
EW2φ

Washer 2.5φ x 5φ x 0.25t RBF-044  
FF lever ass'y  
Belt REB-309  
PAUSE crank ass'y RXB-034  
EW4φ  
Plate  
EW3.1φ x 0.5t  
EW2φ

PM 2 x 10  
Spring RBH-482  
Chrome sensor RNK-577  
EW2φ  
Switch RSF-022  
Washer REE-064  
PSA 3 x 4

Auto-start frame ass'y  
PSA 2.6 x 4  
Plunger RXP-063  
Spring RBH-509  
Spring pin RBG-005  
Washer 1.6φ x 6φ x 0.3t  
Cap RNK-611

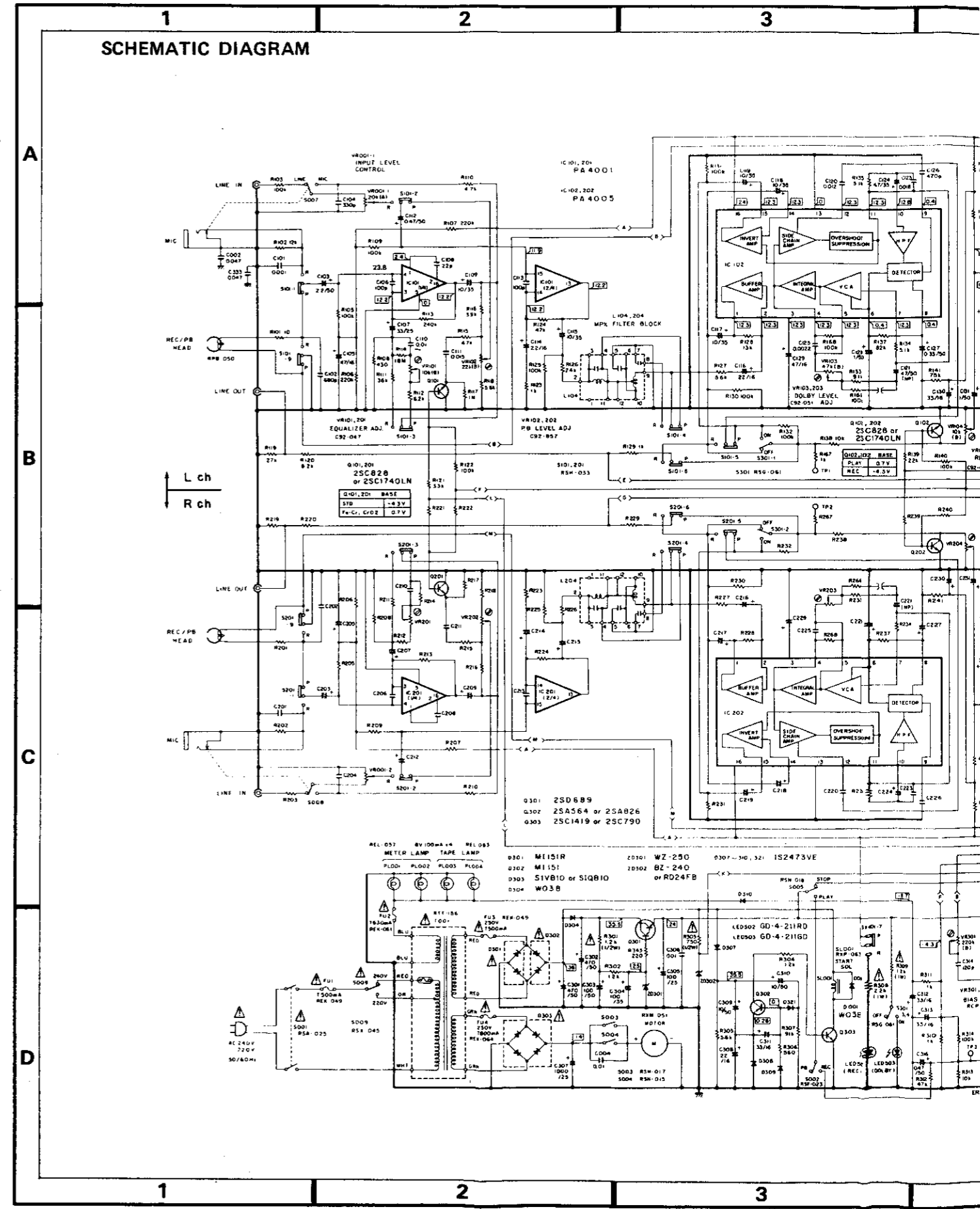
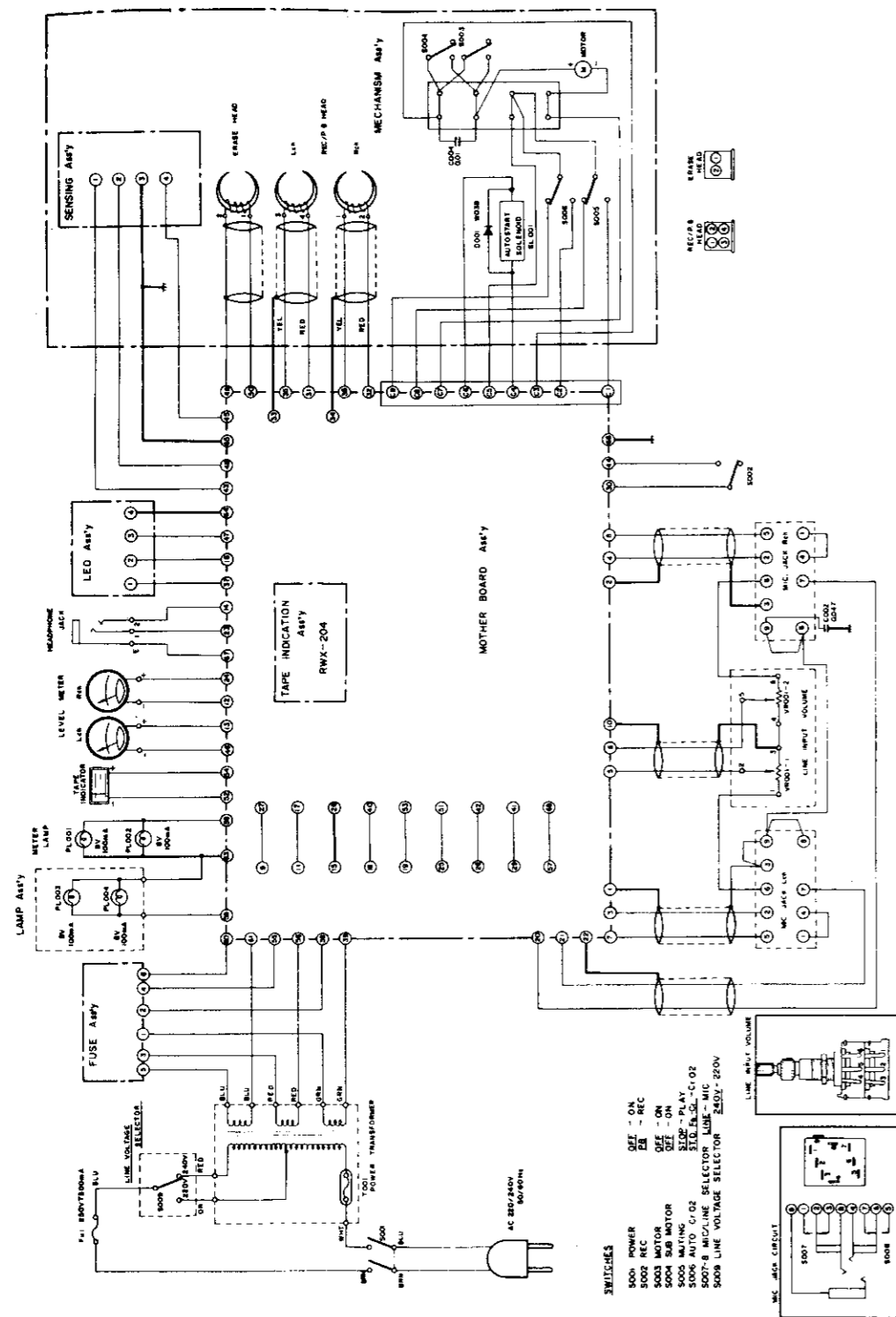
PAUSE operation lever holder  
Auto-stop frame ass'y  
FF lever Spring 4 RBH-484  
Washer 2.1φ x 0.25t  
Switch RSN-015  
PM 2 x 6  
Worm pulley ass'y RXB-032  
EW1.5φ

Motor RXM-051  
Pulley Ass'y PLA-069  
Cord clamber  
BT 3 x 6  
SF 2 x 3  
PSA 3 x 6  
4P terminal  
PSA 2.6 x 4  
RT 3 x 6  
Cord clamber  
Plate (Motor mount)  
PSA 2.6 x 4  
Take-up idler ass'y RXA-716

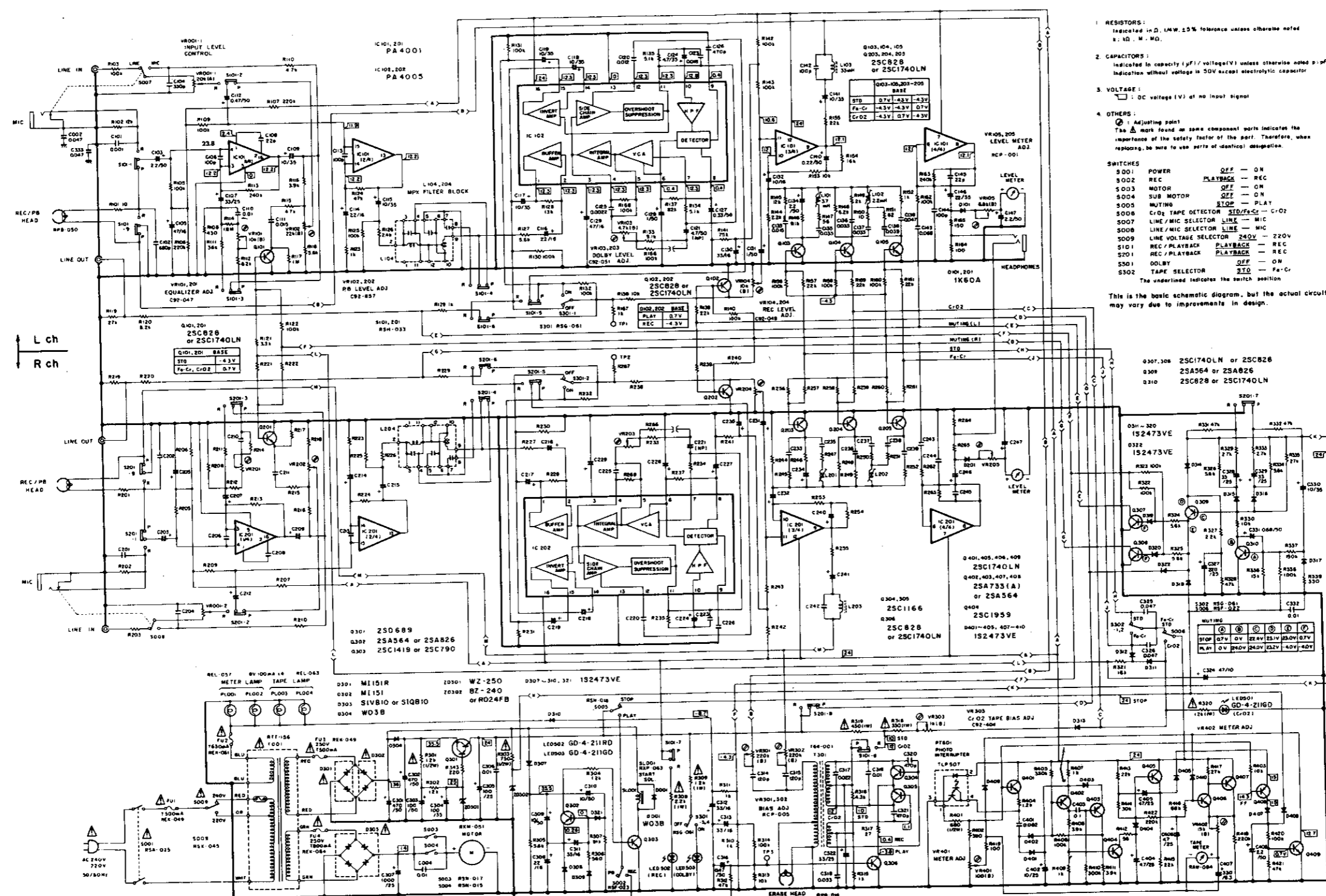
Washer 2.1φ x 0.25t  
Sensor pulley ass'y RXB-035  
Stop cam ass'y RXB-033  
EW2φ  
Cam shaft RLA-918  
EW2φ  
Sensor stoper RNF-393  
PM 2.6 x 5  
Washer REC-064  
Washer 2.1φ x 0.25t  
Spring RBH-485  
Washer 2.1φ x 0.25t  
EW1.5φ  
Belt REB-277

# SCHEMATIC DIAGRAMS, P.C. BOARD PATTERNS AND PARTS LIST

## CONNECTION DIAGRAM



SCHEMATIC DIAGRAM



- 1. RESISTORS:  
Indicated in Ω, kΩ, MΩ, 5% tolerance unless otherwise noted  
k: kΩ, M: MΩ.
- 2. CAPACITORS:  
Indicated in capacity (pF) / voltage (V) unless otherwise noted; p: pF  
Indication without voltage is 50V except electrolytic capacitor.
- 3. VOLTAGE:  
□: DC voltage (V) of no input signal
- 4. OTHERS:  
⊙: Adjusting point  
The Δ mark found on some component parts indicates the importance of the safety factor of the part. Therefore, when replacing, be sure to use parts of identical designation.

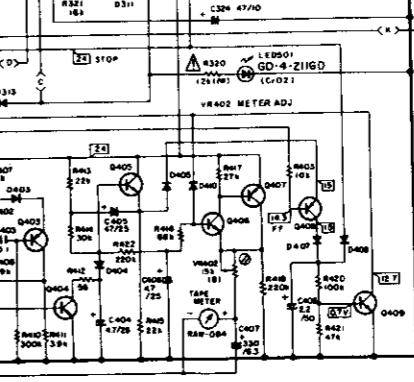
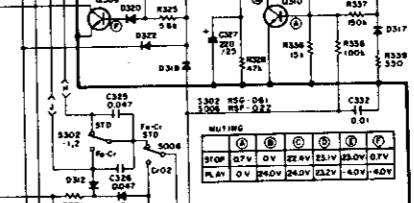
SWITCHES

S001	POWER	OFF	ON
S002	REC	PLAYBACK	REC
S003	MOTOR	OFF	ON
S004	SUB MOTOR	STOP	PLAY
S005	MULTING	STOP	PLAY
S006	CRQ TAPE DETECTOR	STOP/FA-C	CRQ
S007	LINE/MIC SELECTOR	LINE	MIC
S008	LINE VOLTAGE SELECTOR	240V	220V
S101	REC/PLAYBACK	PLAYBACK	REC
S201	REC/PLAYBACK	PLAYBACK	REC
S301	DOLBY	OFF	ON
S302	TAPE SELECTOR	STOP	FA-C

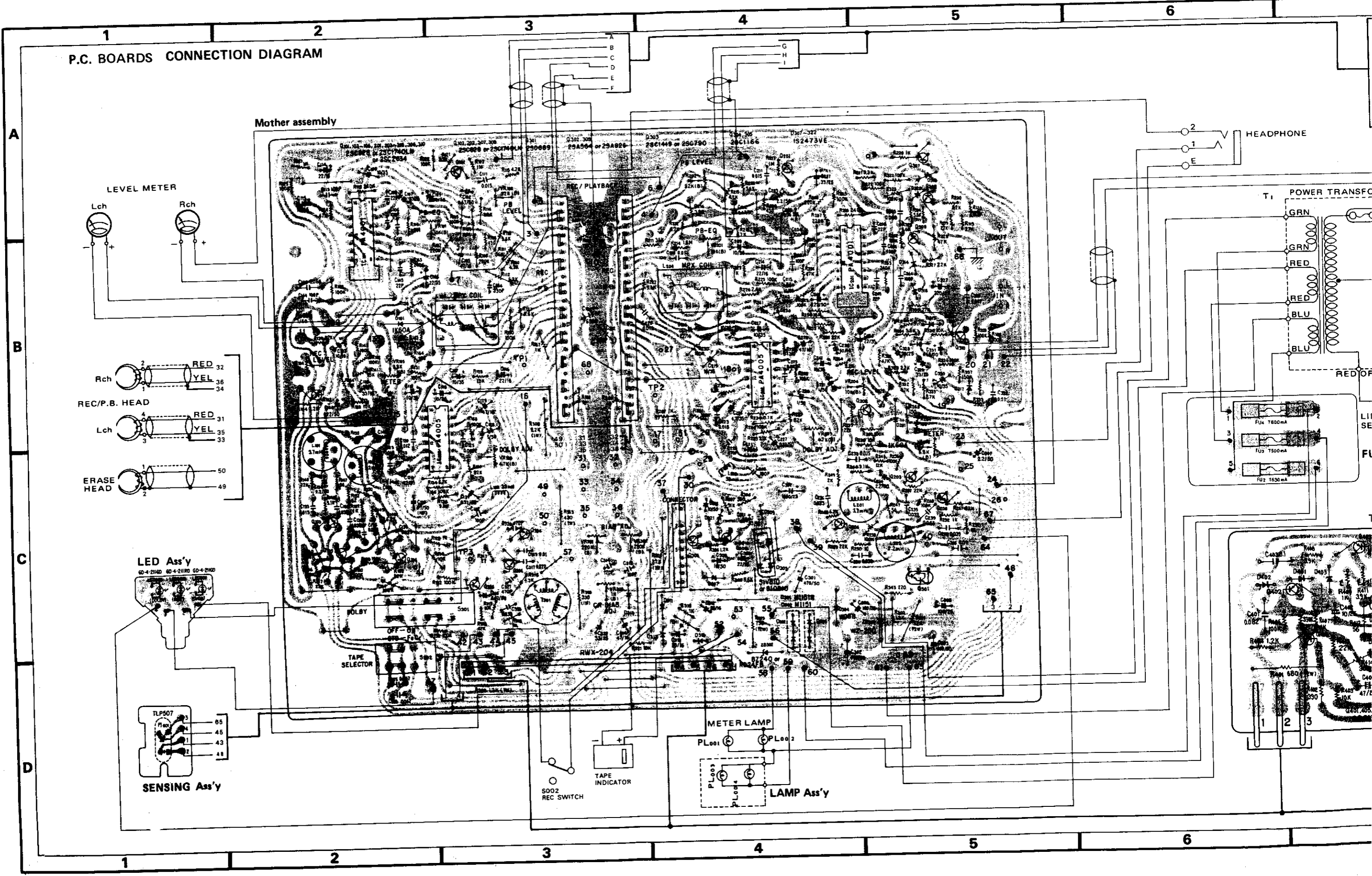
The underlined indicates the switch position.

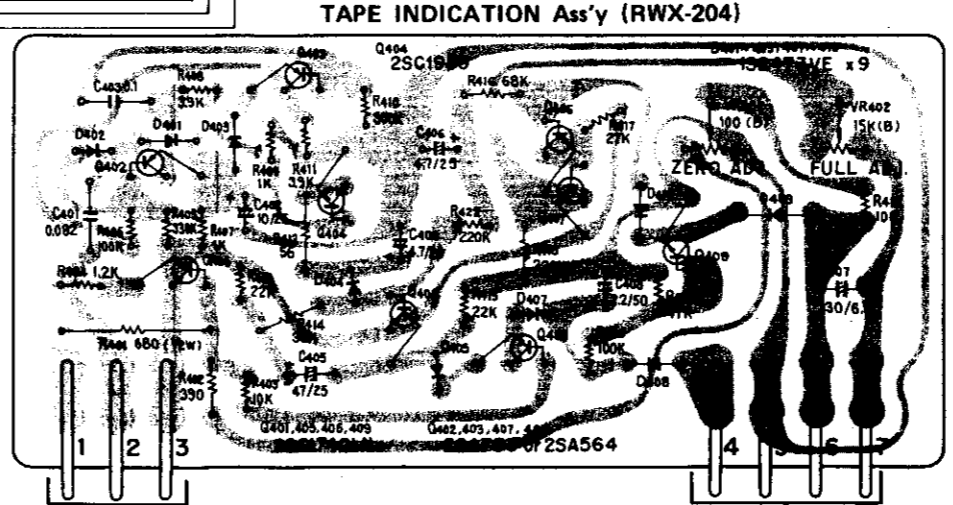
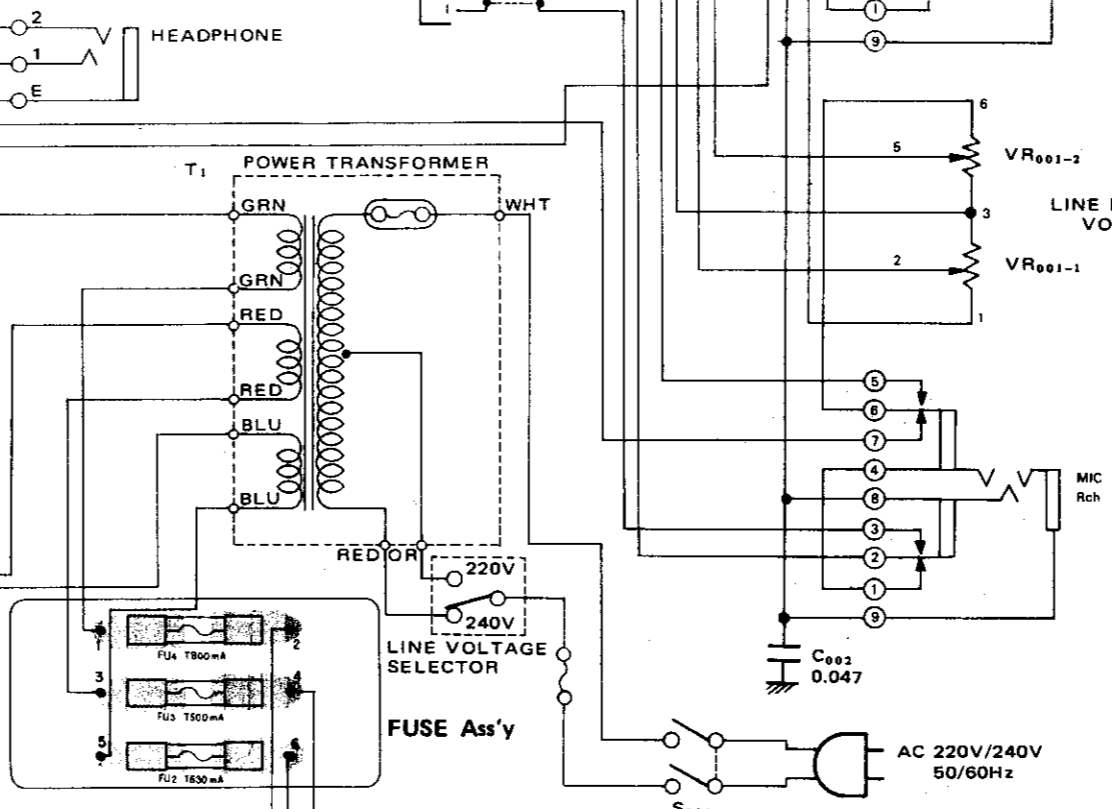
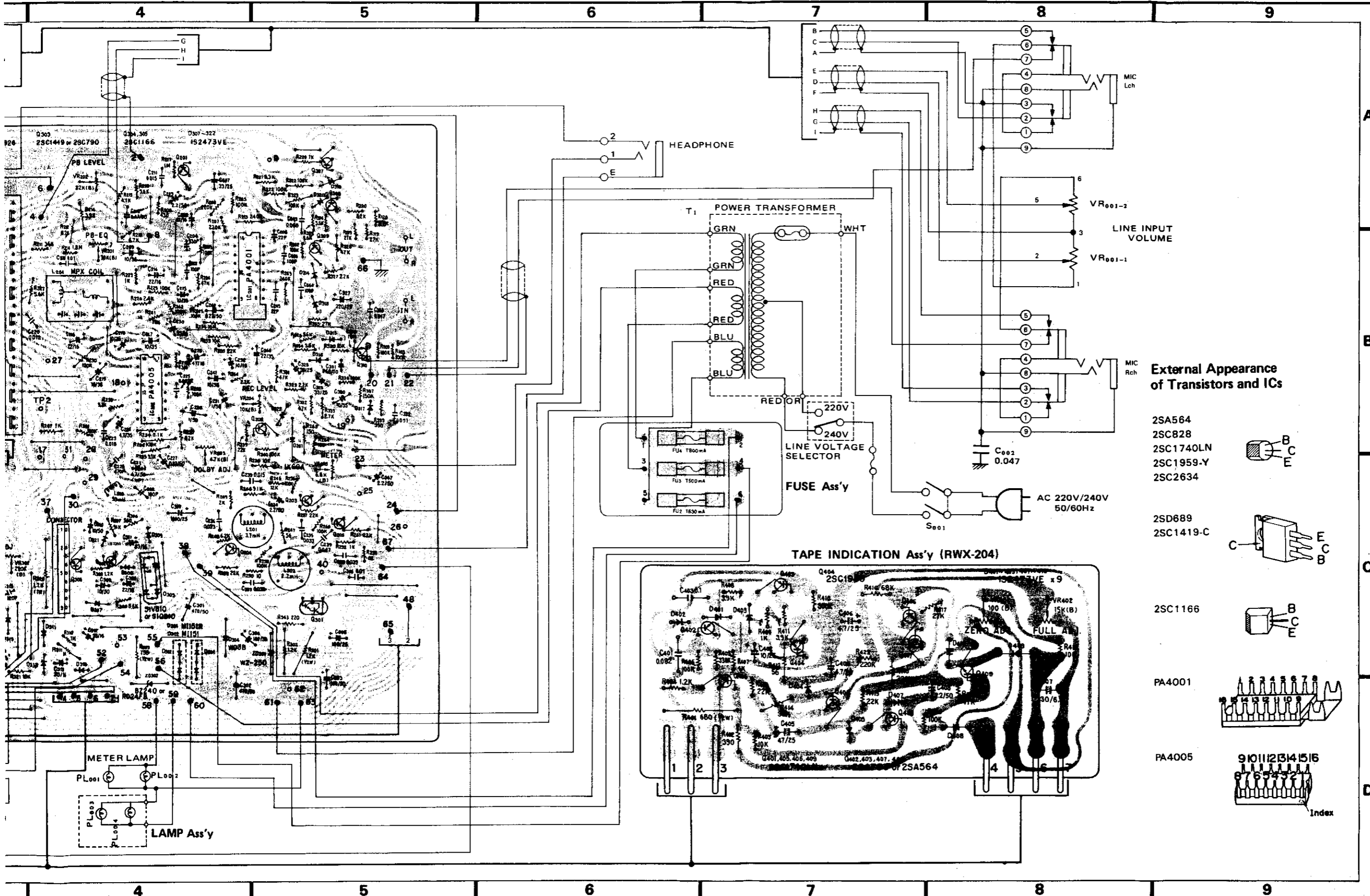
This is the basic schematic diagram, but the actual circuit may vary due to improvements in design.

- Q307, 308 25C1740LN or 25C828
- Q309 25A564 or 25A826
- Q310 25C828 or 25C1740LN



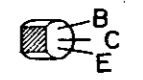
P.C. BOARDS CONNECTION DIAGRAM



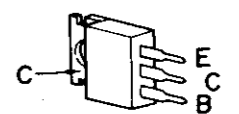


**External Appearance of Transistors and ICs**

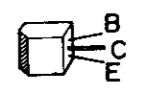
- 2SA564
- 2SC828
- 2SC1740LN
- 2SC1959-Y
- 2SC2634



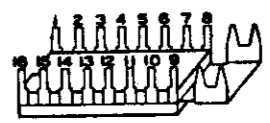
- 2SD689
- 2SC1419-C



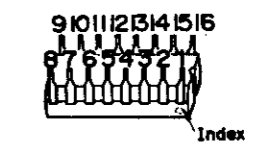
- 2SC1166



- PA4001



- PA4005



A  
B  
C  
D