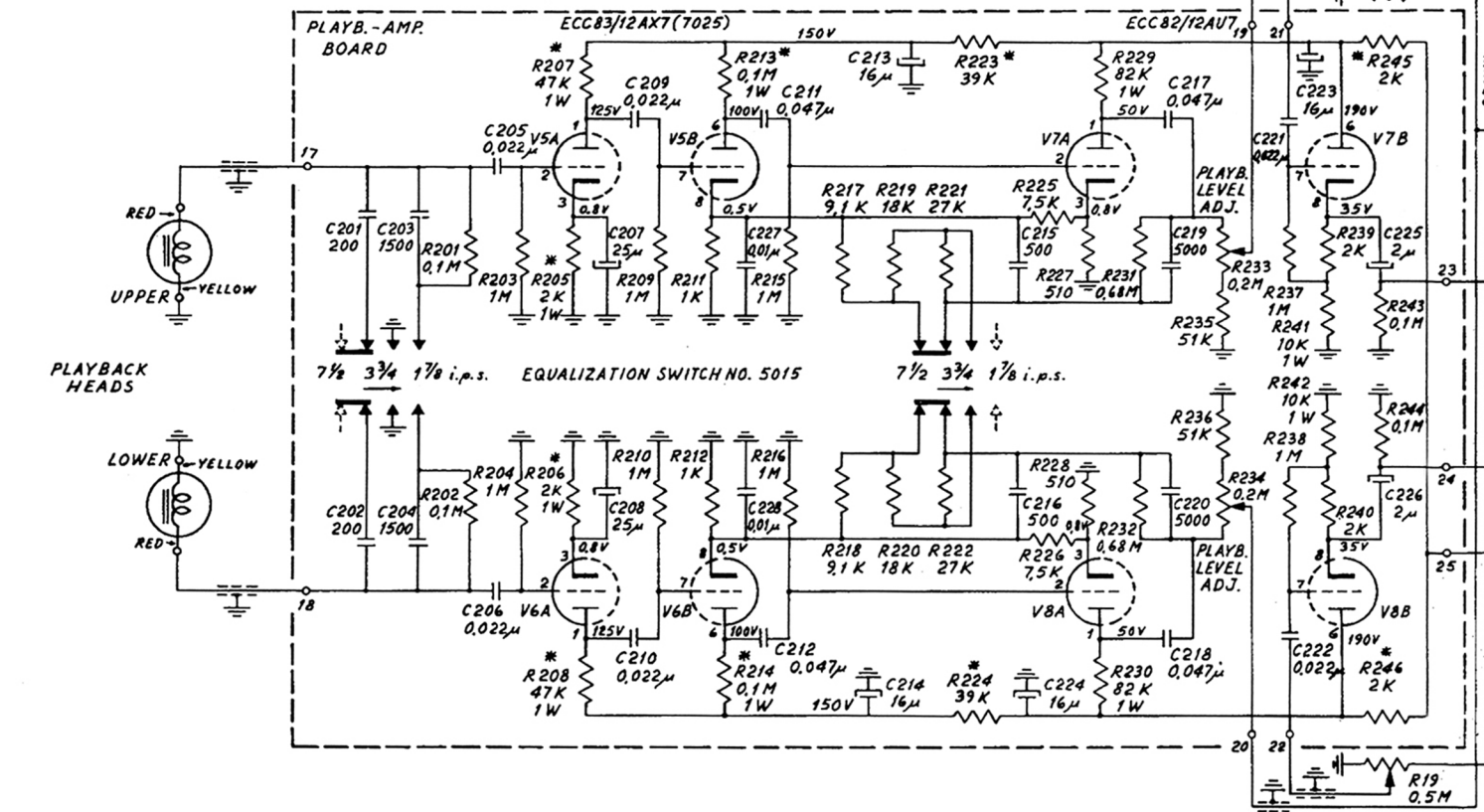
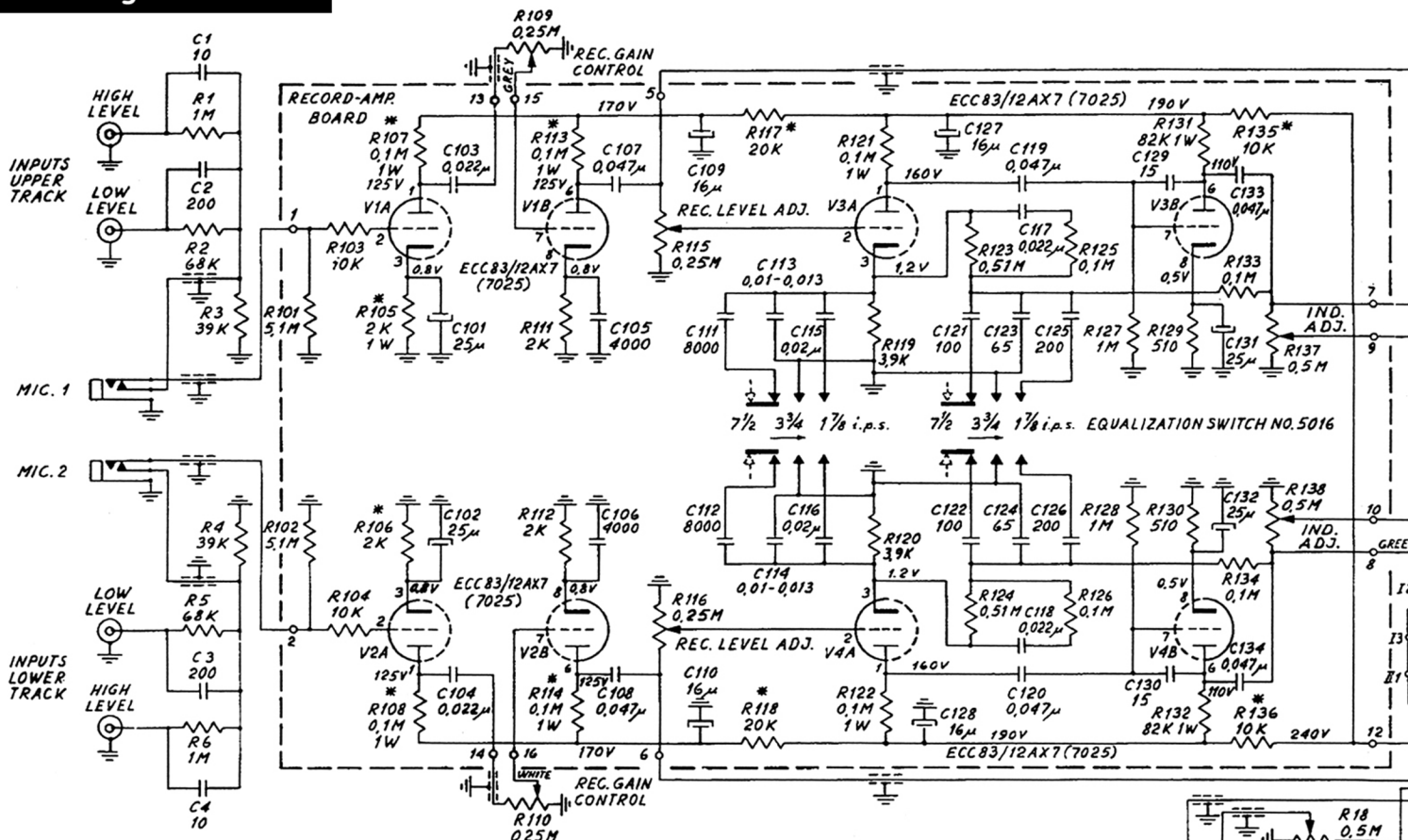


# Tandberg series 6



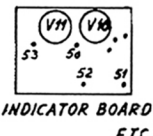
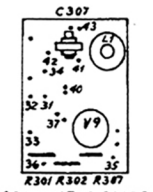
**NOTES:**

- RESISTORS INDICATED IN OHMS.
- K = 1,000 OHMS.
- M = 1,000,000 OHMS.
- \* = DEPOSITED CARBON RESISTORS.
- RESISTORS ± 10% UNLESS OTHERWISE SPECIFIED.
- 3/0 = CONNECTION POINTS

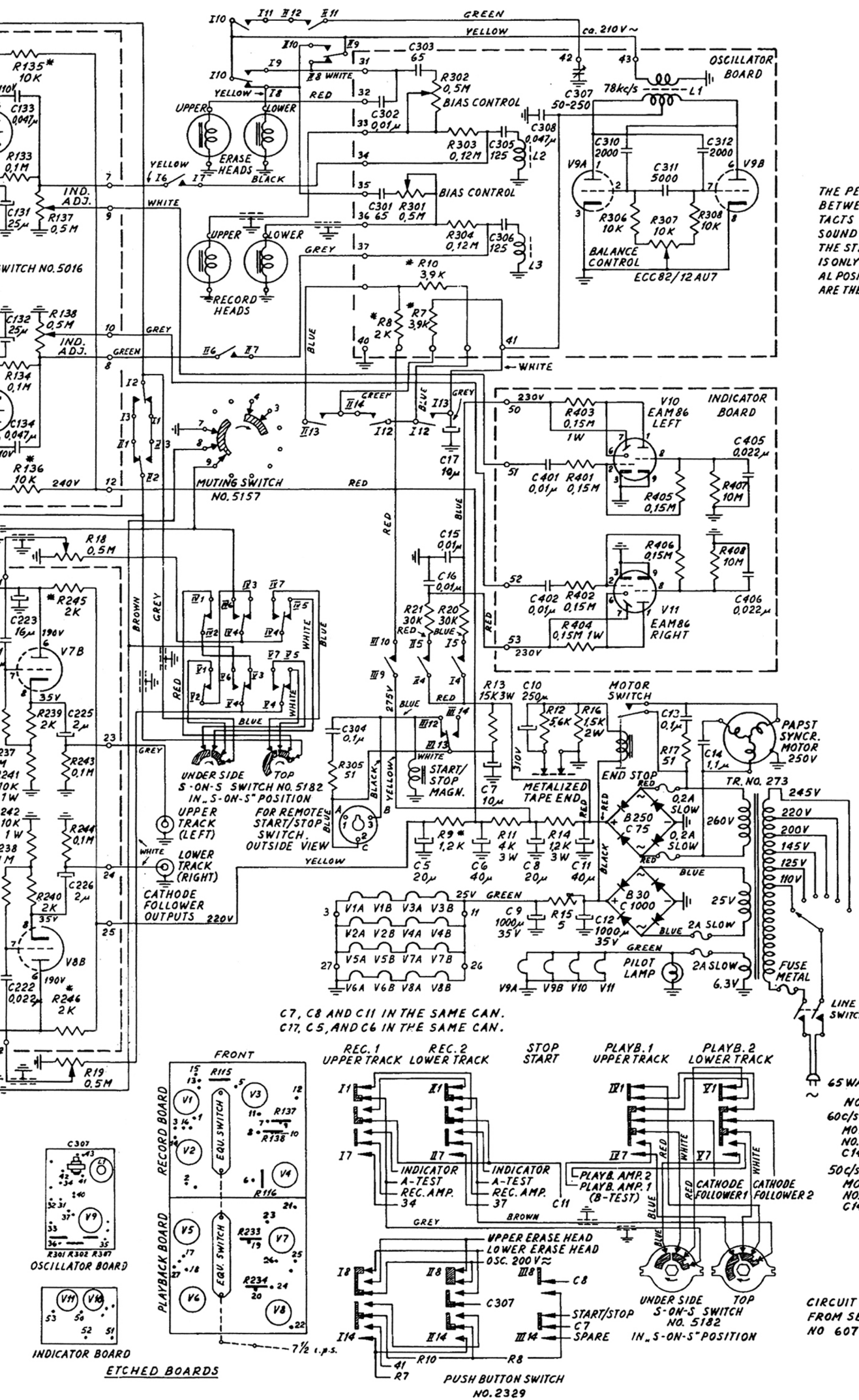
- CAPACITORS INDICATED IN MICROMICROFARADS UNLESS OTHERWISE SPECIFIED.
- CAPACITORS ± 20% UNLESS OTHERWISE SPECIFIED.
- ALL SWITCHES IN NEUTRAL POSITION.
- ALL VOLTAGES MEASURED AT LINE VOLTAGE 110 VOLTS.

- RESISTANCE IN ERASE HEAD : ca. 40 OHMS.
- RESISTANCE IN RECORD HEAD : ca. 300 OHMS.
- RESISTANCE IN PLAYBACK HEAD : ca. 250 OHMS.
- RESISTANCE IN L2 AND L3 ca. 20 OHMS.

TANDBERG TAPE RECORDER  
MODEL 6  
DRAWING NO 5145-5  
OCT. 1960



ETC.



**NOTE!**  
 THE PERIPHERAL ANGLE BETWEEN THE STATOR CONTACTS ON THE SOUND-ON-SOUND SWITCH IS 30° WHILE THE STEP ANGLE OF THE ROTOR IS ONLY 15°. THE THREE ACTUAL POSITIONS OF THE SWITCH ARE THEREFORE SHOWN BELOW



C7, C8 AND C11 IN THE SAME CAN.  
 C17, C5, AND C6 IN THE SAME CAN.

65 WATTS AC.  
**NOTE!**  
 60c/s:  
 MOTORPULLEY NO. 5139.  
 C14 = 1.1μF  
 50c/s:  
 MOTORPULLEY NO. 5143.  
 C14 = 1.5μF

CIRCUIT DIAGRAM FROM SERIES NO 607500

ETCHED BOARDS

PUSH BUTTON SWITCH NO. 2329