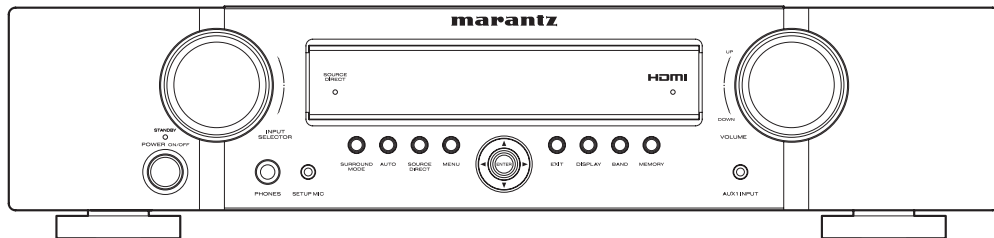


Service Manual

NR1501 /N1B/N1SG/U1B

/K1SG/FB/FN

AV Surround Receiver



注 意

サービスをおこなう前に、このサービスマニュアルを必ずお読みください。

本機は、火災、感電、けがなどに対する安全性を確保するために、さまざまな配慮をおこなっており、また法的には「電気用品安全法」にもとづき、所定の許可を得て製造されております。

従ってサービスをおこなう際は、これらの安全性が維持されるよう、このサービスマニュアルに記載されている注意事項を必ずお守りください。

• For purposes of improvement, specifications and design are subject to change without notice.

• Please use this service manual with referring to the operating instructions without fail.

• Some illustrations using in this service manual are slightly different from the actual set.

• 本機の仕様は性能改良のため、予告なく変更することがあります。
• 補修用性能部品の保有期間は、製造打切後 8 年です。

• 修理の際は、必ず取扱説明書を参照の上、作業を行ってください。

• 本文中に使用しているイラストは、説明の都合上現物と多少異なる場合があります。

marantz®

NR1501

Ver. 5

Please refer to the
MODIFICATION NOTICE.

MARANTZ DESIGN AND SERVICE

Using superior design and selected high grade components, **MARANTZ** company has created the ultimate in stereo sound. Only original **MARANTZ** parts can insure that your **MARANTZ** product will continue to perform to the specifications for which it is famous.

Parts for your **MARANTZ** equipment are generally available to our National **Marantz** Subsidiary or Agent.

ORDERING PARTS :

Parts can be ordered either by mail or by Fax.. In both cases, the correct part number has to be specified.

The following information must be supplied to eliminate delays in processing your order :

1. Complete address
2. Complete part numbers and quantities required
3. Description of parts
4. Model number for which part is required
5. Way of shipment
6. Signature : any order form or Fax. must be signed, otherwise such part order will be considered as null and void.

USA

MARANTZ AMERICA, INC
100 CORPORATE DRIVE
MAHWAH, NEW JERSEY 07430
USA

EUROPE / TRADING

D&M EUROPE B. V.
P. O. BOX 8744, BUILDING SILVERPOINT
BEEMDSTRAAT 11, 5653 MA EINDHOVEN
THE NETHERLANDS
PHONE : +31 - 40 - 2507844
FAX : +31 - 40 - 2507860

CANADA

D&M Canada Inc.
5-505 APPLE CREEK BLVD.
MARKHAM, ONTARIO L3R 5B1
CANADA
PHONE : 905 - 415 - 9292
FAX : 905 - 475 - 4159

JAPAN

D&M Holdings Inc.
D&M BUILDING, 2-1 NISSHIN-CHO,
KAWASAKI-KU, KAWASAKI-SHI,
KANAGAWA, 210-8569 JAPAN

株式会社 ディーアンドエムホールディングス

本 社 〒210-8569
神奈川県川崎市川崎区日進町2-1 D&Mビル

KOREA

D&M SALES AND MARKETING KOREA LTD.
2F, YEON BLDG.,
88-5, BANPO-DONG, SEOCHO-GU,
SEOUL KOREA
PHONE : +82 - 2 - 715 - 9041
FAX : +82 - 2 - 715 - 9040

CHINA

D&M SALES AND MARKETING SHANGHAI LTD.
ROOM.808 SHANGHAI AIRPORT CITY TERMINAL
NO.1600 NANJING (WEST) ROAD, SHANGHAI,
CHINA. 200040
TEL : 021 - 6248 - 5151
FAX : 021 - 6248 - 4434

NOTE ON SAFETY :

Symbol \triangle Fire or electrical shock hazard. Only original parts should be used to replaced any part marked with symbol \triangle .

Any other component substitution (other than original type), may increase risk of fire or electrical shock hazard.

安全上の注意 :

\triangle がついている部品は、安全上重要な部品です。必ず指定されている部品番号の部品を使用して下さい。

SHOCK, FIRE HAZARD SERVICE TEST :

CAUTION : After servicing this appliance and prior to returning to customer, measure the resistance between either primary AC cord connector pins (with unit NOT connected to AC mains and its Power switch ON), and the face or Front Panel of product and controls and chassis bottom.

Any resistance measurement less than 1 Megohms should cause unit to be repaired or corrected before AC power is applied, and verified before it is return to the user/customer.

Ref. UL Standard No. 60065.

In case of difficulties, do not hesitate to contact the Technical
Department at above mentioned address.

1. TECHNICAL SPECIFICATIONS

FM TUNER SECTION

Frequency Range 87.5 MHz to 108.0 MHz
 Usable Sensitivity IHF 1.8 μ V/16.4 dBf
 Signal to Noise Ratio (Mono/Stereo) 75 dB / 70 dB
 Distortion (Mono/Stereo) 0.3 % / 0.5 %
 Stereo Separation 1 kHz 35 dB
 Alternate Channel Selectivity \pm 300 kHz 60 dB
 Image Rejection 98 MHz 60 dB
 Tuner Output Level (1 kHz, \pm 40 kHz Dev) 300 mV

AM TUNER SECTION

Frequency Range 531 kHz to 1602 kHz
 Signal to Noise Ratio 40 dB
 Usable Sensitivity (Loop Antenna) 400 μ V/m
 Distortion 400 Hz, 30 % Mod. 0.7 %
 Selectivity \pm 18 kHz 70 dB

AUDIO SECTION

Power Output (20 Hz – 20 kHz/THD=0.08%)
 Front L&R (8 ohm load, Per channel) 50 W
 Center (8 ohm load, Per channel) 50 W
 Surround L&R (8 ohm load, Per channel) 50 W
 Surround Back L&R (8 ohm load, Per channel) 50 W

Power Output
 Front L&R (6 ohm load, Per channel) 60 W
 Center (6 ohm load, Per channel) 60 W
 Surround L&R (6 ohm load, Per channel) 60 W
 Surround Back L&R (6 ohm load, Per channel) 60 W

Input Sensitivity/Impedance 200 mV / 47 k Ω
 Signal to Noise Ratio(Analog Input / Pure Direct) ... 100 dB

Frequency Response
 (Analog Input / Pure Direct) 8 Hz to 100 kHz (\pm 3 dB)
 (Digital Input / 96 kHz PCM) 8 Hz to 45 kHz (\pm 3 dB)

VIDEO

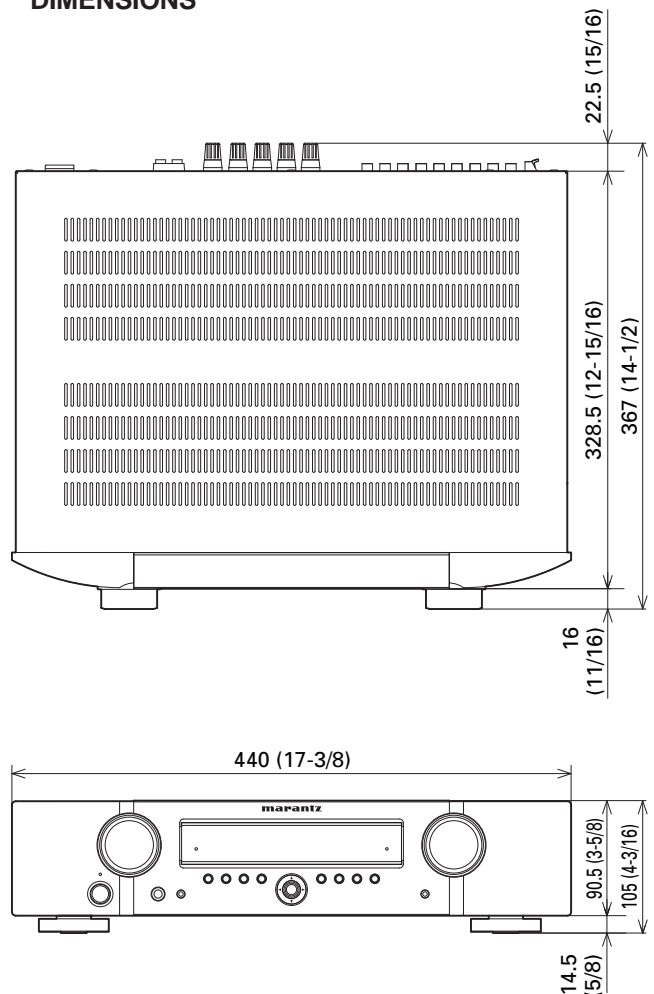
Television Format NTSC/PAL
 Input Level/Impedance 1 Vp-p / 75 Ω
 Output Level/Impedance 1 Vp-p / 75 Ω
 Video Frequency Response 5 Hz to 8 MHz (- 1 dB)
 Video Frequency (Component) 5 Hz to 80 MHz (- 1 dB)
 S/N 60 dB

HDMI
 Version 1.3a [INPUT]
 1.3a [OUTPUT]

GENERAL

Power Requirement AC 230 V 50 / 60 Hz [N]
 AC 120 V 60 Hz [U]
 Power Consumption 250 W
 Standby Power Consumption 0.5 W

DIMENSIONS



The relationship between the selected surround mode and the input signal

The surround mode is selected with the surround mode selector on NR1501 or the remote controller. However, the sound you hear is subject to the relationship between the selected surround mode and the input signal. That relationship is as follows:

Surround Mode	Input Signal	Decoding	Output Channel					Front information display
			L/R	C	SL/SR	SBL/SBR	SubW	Signal format indicators
AUTO	Dolby Surr.EX	Dolby Digital EX	0	0	0	0	0	□□ D, EX
	Dolby D (5.1ch)	Dolby Digital 5.1	0	0	0	-	0	□□ D
	Dolby D (2ch)	Dolby Digital 2.0	0	-	-	-	0	□□ D
	Dolby D (2ch Surr)	Pro Logic IIx movie	0	0	0	0	0	□□ D
	Dolby Digital Plus (2ch)	DolbyDigital +	0	-	-	-	0	□□ D, +
	Dolby Digital Plus (5.1ch)	DolbyDigital +	0	0	0	-	0	□□ D, +
	Dolby Digital Plus (6.1ch)	DolbyDigital +	0	0	0	0	0	□□ D, +
	Dolby Digital Plus (7.1ch)	DolbyDigital +	0	0	0	0	0	□□ D, +
	Dolby TrueHD (2ch)	DolbyTrueHD	0	-	-	-	0	□□ HD
	Dolby TrueHD (5.1ch)	DolbyTrueHD	0	0	0	-	0	□□ HD
	Dolby TrueHD (6.1ch)	DolbyTrueHD	0	0	0	0	0	□□ HD
	Dolby TrueHD (7.1ch)	DolbyTrueHD	0	0	0	0	0	□□ HD
	DTS-ES	DTS-ES	0	0	0	0	0	DTS, ES
	DTS 96/24	DTS-96/24	0	0	0	-	0	DTS, 96/24
	DTS (5.1ch)	DTS 5.1	0	0	0	-	0	DTS
	DTS-HD (2ch)	DTS-HD	0	-	-	-	0	DTS, HD
	DTS-HD (5.1ch)	DTS-HD	0	0	0	-	0	DTS, HD
	DTS-HD (6.1ch)	DTS-HD	0	0	0	0	0	DTS, HD
	DTS-HD (7.1ch)	DTS-HD	0	0	0	0	0	DTS, HD
	Multi Ch-PCM	Multi Ch-PCM	0	0	0	0	0	
Multi Ch-PCM 96kHz	Multi Ch-PCM 96kHz	0	0	0	0	0		
PCM (Audio)	PCM (Stereo)	0	-	-	-	0		
PCM 96kHz	PCM (Stereo 96kHz)	0	-	-	-	0		
Analog	Stereo	0	-	-	-	0		
SOURCE DIRECT	Dolby Surr.EX	Dolby Digital EX	0	0	0	0	0	□□ D, EX
	Dolby D (5.1ch)	Dolby Digital 5.1	0	0	0	-	0	□□ D
	Dolby D (2ch)	Dolby Digital 2.0	0	-	-	-	0	□□ D
	Dolby D (2ch Surr)	Dolby Digital 2.0	0	-	-	-	0	□□ D
	Dolby Digital Plus (2ch)	DolbyDigital +	0	-	-	-	0	□□ D, +
	Dolby Digital Plus (5.1ch)	DolbyDigital +	0	0	0	-	0	□□ D, +
	Dolby Digital Plus (6.1ch)	DolbyDigital +	0	0	0	0	0	□□ D, +
	Dolby Digital Plus (7.1ch)	DolbyDigital +	0	0	0	0	0	□□ D, +
	Dolby TrueHD (2ch)	DolbyTrueHD	0	-	-	-	0	□□ HD
	Dolby TrueHD (5.1ch)	DolbyTrueHD	0	0	0	-	0	□□ HD
	Dolby TrueHD (6.1ch)	DolbyTrueHD	0	0	0	0	0	□□ HD
	Dolby TrueHD (7.1ch)	DolbyTrueHD	0	0	0	0	0	□□ HD
	DTS-ES	DTS-ES	0	0	0	0	0	DTS, ES
	DTS 96/24	DTS-96/24	0	0	0	-	0	DTS, 96/24
	DTS (5.1ch)	DTS 5.1	0	0	0	-	0	DTS
	DTS-HD (2ch)	DTS-HD	0	-	-	-	0	DTS, HD
	DTS-HD (5.1ch)	DTS-HD	0	0	0	-	0	DTS, HD
	DTS-HD (6.1ch)	DTS-HD	0	0	0	0	0	DTS, HD
	DTS-HD (7.1ch)	DTS-HD	0	0	0	0	0	DTS, HD
	Multi Ch-PCM	Multi Ch-PCM	0	0	0	0	0	
Multi Ch-PCM 96kHz	Multi Ch-PCM 96kHz	0	0	0	0	0		
PCM (Audio)	PCM (Stereo)	0	-	-	-	0		
PCM 96kHz	PCM (Stereo 96kHz)	0	-	-	-	0		
Analog	Stereo	0	-	-	-	0		
DOLBY (PLIIx movie) (PLIIx music) (PLIIx game)	Dolby Surr.EX	Dolby Digital EX	0	0	0	0	0	□□ D, EX
	Dolby D (5.1ch)	Dolby Digital 5.1	0	0	0	-	0	□□ D
	Dolby D (5.1ch)	Dolby Digital 5.1 + PLIIx	0	0	0	0	0	□□ D
	Dolby D (2ch)	Pro Logic IIx	0	0	0	0	0	□□ D
	Dolby D (2ch Surr)	Pro Logic IIx	0	0	0	0	0	□□ D
DOLBY (PLIIx movie) (PLIIx music) (PLIIx game)	Dolby Digital Plus (2ch)	DolbyDigital +	0	-	-	-	0	□□ D, +
	Dolby Digital Plus (5.1ch)	DolbyDigital +	0	0	0	-	0	□□ D, +
	Dolby TrueHD (2ch)	DolbyTrueHD	0	-	-	-	0	□□ HD
	Dolby TrueHD (5.1ch)	DolbyTrueHD	0	0	0	-	0	□□ HD
	Multi Ch-PCM	Multi Ch-PCM + PLIIx	0	0	0	0	0	□□ PLIIx
	PCM (Audio)	Pro Logic IIx	0	0	0	0	0	□□ PLIIx
Analog	Pro Logic IIx	0	0	0	0	0	□□ PLIIx	
DTS (Neo:6 Cinema) (Neo:6 Music)	DTS-ES	DTS-ES	0	0	0	0	0	DTS, ES
	DTS 96/24	DTS-96/24	0	0	0	-	0	DTS, 96/24
	DTS (5.1ch)	DTS 5.1	0	0	0	-	0	DTS
	DTS-HD (2ch)	DTS-HD	0	-	-	-	0	DTS, HD
	DTS-HD (5.1ch)	DTS-HD	0	0	0	-	0	DTS, HD
	DTS-HD (6.1ch)	DTS-HD	0	0	0	0	0	DTS, HD
	DTS-HD (7.1ch)	DTS-HD	0	0	0	0	0	DTS, HD
	PCM (Audio)	Neo:6	0	0	0	0	0	NEO:6
Analog	Neo:6	0	0	0	0	0	NEO:6	

Surround Mode	Input Signal	Decoding	Output Channel					Front information display
			L/R	C	SL/SR	SBL/SBR	SubW	Signal format indicators
STEREO	Dolby Surr.EX	Stereo	0	-	-	-	0	□□ D, EX
	Dolby D (5.1ch)	Stereo	0	-	-	-	0	□□ D
	Dolby D (2ch)	Stereo	0	-	-	-	0	□□ D
	Dolby D (2ch Surr)	Stereo	0	-	-	-	0	□□ D
	Dolby Digital Plus (2ch)	Stereo	0	-	-	-	0	□□ D, +
	Dolby Digital Plus (5.1ch)	Stereo	0	-	-	-	0	□□ D, +
	Dolby Digital Plus (6.1ch)	Stereo	0	-	-	-	0	□□ D, +
	Dolby Digital Plus (7.1ch)	Stereo	0	-	-	-	0	□□ D, +
	Dolby TrueHD (2ch)	Stereo	0	-	-	-	0	□□ HD
	Dolby TrueHD (5.1ch)	Stereo	0	-	-	-	0	□□ HD
	Dolby TrueHD (6.1ch)	Stereo	0	-	-	-	0	□□ HD
	Dolby TrueHD (7.1ch)	Stereo	0	-	-	-	0	□□ HD
	DTS-ES	Stereo	0	-	-	-	0	DTS, ES
	DTS 96/24	Stereo	0	-	-	-	0	DTS, 96/24
	DTS (5.1ch)	Stereo	0	-	-	-	0	DTS
	DTS-HD (2ch)	Stereo	0	-	-	-	0	DTS, HD
	DTS-HD (5.1ch)	Stereo	0	-	-	-	0	DTS, HD
	DTS-HD (6.1ch)	Stereo	0	-	-	-	0	DTS, HD
	DTS-HD (7.1ch)	Stereo	0	-	-	-	0	DTS, HD
	Multi Ch-PCM	Stereo	0	-	-	-	0	
Multi Ch-PCM 96kHz	Stereo	0	-	-	-	0		
PCM (Audio)	Stereo	0	-	-	-	0		
PCM 96kHz	Stereo	0	-	-	-	0		
Analog	Stereo	0	-	-	-	0		
MULTI CH STEREO	PCM (Audio)	Multi channel stereo	0	0	0	0	0	
	PCM 96kHz	Multi channel stereo	0	0	0	0	0	
	Analog	Multi channel stereo	0	0	0	0	0	
VIRTUAL	PCM (Audio)	Virtual	0	0	0	0	0	
	PCM 96kHz	Virtual	0	0	0	0	0	
	Analog	Virtual	0	0	0	0	0	

Notes

- *Dolby Digital (2 channel L/R): Speakers for signal with Dolby Surround are fully equipped.*
- *No sound is outputs from the surround speaker, center speaker and subwoofer if the DVD disc has no surround data.*
- *Surround modes other than Stereo are not available during Dolby TrueHD, Dolby Digital Plus, or DTS-HD playback.*

If surround modes other than Stereo are selected and Dolby TrueHD, Dolby Digital Plus, or DTS-HD content is played, the surround mode setting is disabled.

Abbreviations

L/R : Front speakers
C : Center speaker
SL/SR : Surround speakers
SBL/SBR : Surround back speakers
SubW : Subwoofer

2. TECHNICAL DESCRIPTION



Manufactured under license under U.S. Patent #'s: 5,451,942; 5,956,674; 5,974,380; 5,978,762; 6,226,616; 6,487,535; 7,003,467 & other U.S. and worldwide patents issued & pending. DTS, DTS Digital Surround, ES, and Neo:6 are registered trademarks and the DTS logos, Symbol and DTS 96/24 are trademarks of DTS, Inc. © 1996-2007 DTS, Inc. All Rights Reserved.

• dts Digital Surround

DTS was introduced in 1994 to provide 5.1 channels of discrete digital audio into home theater systems.

DTS brings you premium quality discrete multichannel digital sound to both movies and music.

DTS is a multichannel sound system designed to create full range digital sound reproduction.

The no compromise DTS digital process sets the standard of quality for cinema sound by delivering an exact copy of the studio master recordings to neighborhood and home theaters.

Now, every moviegoer can hear the sound exactly as the moviemaker intended.

DTS can be enjoyed in the home for either movies or music on of DVD's, LD's, and CD's.

• dts Neo:6®

The advantages of discrete multichannel systems over matrix are well known.

But even in homes equipped for discrete multichannel, there remains a need for high-quality matrix decoding. This is because of the large library of matrix surround motion pictures available on disc and on VHS tape; and analog television broadcasts.

The typical matrix decoder of today derives a center channel and a mono surround channel from two-channel matrix stereo material. It is better than a simple matrix in that it includes steering logic to improve separation, but because of its mono, band-limited surround it can be disappointing to users accustomed to discrete multichannel.

Neo:6 offers several important improvements as follow,

- Neo:6 provides up to six full-band channels of matrix decoding from stereo matrix material. Users with 6.1 and 5.1 systems will derive six and five separate channels, respectively, corresponding to the standard home-theater speaker layouts.
- Neo:6 technology allows various sound elements within a channel or channels to be steered separately, and in a way which follows naturally from the original presentation.
- Neo:6 offers a music mode to expand stereo nonmatrix recordings into the five- or six-channel layout, in a way which does not diminish the subtlety and integrity of the original stereo recording.

• dts Digital Surround ES®

DTS-ES Extended Surround is a new multichannel digital signal format developed by Digital Theater Systems Inc. While offering high compatibility with the conventional DTS Digital Surround format, DTS-ES Extended Surround greatly improves the 360-degree surround impression and space expression thanks to further expanded surround signals. This format has been used professionally in movie theaters since 1999.

In addition to the 5.1 surround channels (FL, FR, C, SL, SR and LFE), DTS-ES Extended Surround also offers the SB (Surround Back) channel for surround playback with a total of 6.1 channels. DTS-ES Extended Surround includes two signal formats with different surround signal recording methods, as DTS-ES Discrete 6.1 and DTS-ES Matrix 6.1.

• dts Digital Surround 96/24

The stereo CD is a 16-bit medium with sampling at 44.1 kHz. Professional audio has been 20- or 24-bit for some time, and there is increasing interest in higher sampling rates both for recording and for delivery into the home. Greater bit depths provide extended dynamic range. Higher sampling rates allow wider frequency response and the use of anti-alias and reconstruction filters with more favorable aural characteristics.

DTS 96/24 allows for 5.1 channel sound tracks to be encoded at a rate of 96kHz/24bits on DVD-Video titles.

When DVD-video appeared, it became possible to deliver 24-bit, 96 kHz audio into the home, but only in two channels, and with serious limitations on picture. This capability has had little use.

DVD-audio allows 96/24 in six channels, but a new player is needed, and only analog outputs are provided, necessitating the use of the D/A converters and analog electronics provided in the player.

DTS 96/24 offers the following:

1. Sound quality transparent to the original 96/24 master.
2. Full backward compatibility with all existing decoders. (Existing decoders will output a 48 kHz signal)
3. No new player required: DTS 96/24 can be carried on DVD-video, or in the video zone of DVD-audio, accessible to all DVD players.
4. 96/24 5.1-channel sound with full-quality full-motion video, for music programs and motion picture soundtracks on DVD-video.



DTS-HD Master Audio is capable of delivering audio that is a bit-for-bit identical to the studio master. DTS-HD Master Audio delivers audio at super high variable bit rates -24.5 mega-bits per second (Mbps) on Blu-ray discs and 18.0 Mbps on HD-DVD - that are significantly higher than standard DVDs. This bit stream is so "fast" and the transfer rate is so "high" that it can deliver the Holy Grail of audio: 7.1 audio channels at 96k sampling frequency/24 bit depths that are identical to the original. With DTS-HD Master Audio, you will be able to experience movies and music, exactly as the artist intended: clear, pure, and uncompromised.

Manufactured under license under U.S. Patent #'s: 5,451,942; 5,956,674; 5,974,380; 5,978,762; 6,226,616; 6,487,535 & other U.S. and worldwide patents issued & pending.

DTS is a registered trademark and the DTS logos, Symbol, DTS-HD and DTS-HD Master Audio are trademarks of DTS, Inc. © 1996-2007 DTS, Inc. All Rights Reserved.



DTS-HD High Resolution Audio can deliver up to 7.1 channels of sound that is virtually indistinguishable from the original. DTS-HD High Resolution Audio delivers audio at high constant bit rates superior to standard DVDs—6.0 Mbps on Blu-ray discs and 3.0 Mbps on HD-DVD to produce outstanding sound quality. It is capable of delivering up to 7.1 channels at 96k sampling frequency/24 bit depth resolution. It allows content creators to deliver rich, high definition audio on movies where disc space may not allow for DTS-HD Master Audio.

Manufactured under license under U.S. Patent #'s: 5,451,942; 5,956,674; 5,974,380; 5,978,762; 6,226,616; 6,487,535 & other U.S. and worldwide patents issued & pending. DTS is a registered trademark and the DTS logos, Symbol, DTS-HD, DTS-HD High Resolution

Audio and DTS-HD High Res Audio are trademarks of DTS, Inc. © 1996-2007 DTS, Inc. All Rights Reserved.



Dolby Digital identifies the use of Dolby Digital audio coding for such consumer formats as DVD and DTV. As with film sound, Dolby Digital can provide up to five full-range channels for left, center, and right screen channels, independent left and right surround channels, and a sixth ("1") channel for low-frequency effects.

Dolby Surround Pro Logic II is an improved matrix decoding technology that provides better spatiality and directionality on Dolby Surround program material; provides a convincing three-dimensional soundfield on conventional stereo music recordings; and is ideally suited to bring the surround experience to automotive sound. While conventional surround programming is fully compatible with Dolby Surround Pro Logic II decoders, soundtracks will be able to be encoded specifically to take full advantage of Pro Logic II playback, including separate left and right surround channels. (Such material is also compatible with conventional Pro Logic decoders.)

Dolby Digital EX creates six full-bandwidth output channels from 5.1-channel sources. This is done using a matrix decoder that derives three surround channels from the two in the original recording. For best results, Dolby Digital EX should be used with movies soundtracks recorded with Dolby Digital Surround EX.

About Dolby Pro Logic IIx

Dolby Pro Logic IIx technology delivers a natural and immersing 7.1-channel listening experience to the home theater environment. A product of Dolby's expertise in surround sound and matrix decoding technologies, Dolby Pro Logic IIx is a complete surround sound solution that maximizes the entertainment experience from stereo as well as 5.1-channel encoded sources.

Dolby Pro Logic IIx is fully compatible with Dolby Surround Pro Logic technology and can optimally decode the thousands of commercially available Dolby Surround encoded video cassettes and television programs with enhanced depth and spatiality. It can also process any high-quality stereo or Advanced Resolution 5.1-channel music content into a seamless 6.1- or 7.1-channel listening experience.



Dolby® TrueHD is Dolby's next-generation lossless technology developed for high-definition disc-based media. Dolby TrueHD delivers tantalizing sound that is bit-for-bit identical to the studio master, unlocking the true high-definition entertainment experience on next-generation discs. When coupled with high-definition video, Dolby TrueHD offers an unprecedented home theater experience that lets you enjoy sound as stunning as the high-definition picture.



Dolby Digital Plus is a highly sophisticated and versatile audio codec based on Dolby Digital and designed specifically to adapt to the changing demands of future audio, video delivery, and audio storage systems while simultaneously retaining backwards compatibility with the existing Dolby Digital 5.1-channel home theater systems in use today.

Manufactured under license from Dolby Laboratories. "Dolby," "Pro Logic," "Surround EX," and the double-D symbol are trademarks of Dolby Laboratories.



HDMI, the **HDMI** and High-Definition Multimedia Interface are trademarks or registered trademarks of HDMI Licensing LLC.

3. SERVICE MODE INSTRUCTION AND HOW TO CHECK FIRMWARE VERSION

3-1 FACTORY Mode : MENU + CURSOR LEFT (During about 5 sec. : Power On)

- | | | | | | | | |
|---|---|---|---|---|---|---|--|
| F | A | C | T | O | R | Y | |
|---|---|---|---|---|---|---|--|

 : Factory mode
- | | | | | | | | |
|---|---|---|---|---|---|---|---|
| N | R | 1 | 5 | 0 | 1 | / | X |
|---|---|---|---|---|---|---|---|

 : Model name/Version (U/N/F/K)
- | | | | | | | | |
|---|---|---|---|---|---|---|---|
| 0 | 9 | X | X | X | X | - | X |
|---|---|---|---|---|---|---|---|

 : Main firmware version
- | | | | | | | | |
|---|---|--|---|---|---|---|---|
| D | A | | X | X | X | X | X |
|---|---|--|---|---|---|---|---|

 : Sub firmware version (DSP part)
- | | | | | | | | |
|---|---|---|--|---|---|---|---|
| D | S | P | | X | X | X | X |
|---|---|---|--|---|---|---|---|

 : DSP ROM code
- | | | | | | | | |
|---|---|---|---|---|---|---|---|
| H | D | M | I | X | X | X | X |
|---|---|---|---|---|---|---|---|

 : Sub firmware version (HDMI part)
- | | | | | | | | |
|---|---|---|---|---|---|---|---|
| X | X | X | X | X | X | X | X |
|---|---|---|---|---|---|---|---|

 : FL Test Display1 (Half On/Half On)
- | | | | | | | | |
|---|---|---|---|---|---|---|---|
| X | X | X | X | X | X | X | X |
|---|---|---|---|---|---|---|---|

 : FL Test Display2 (All On/All Off)
- : Rotation

Press the **ENTER** button.

Press the **MEMORY** button.

*MIC Check

- | | | | | | | | |
|---|---|---|---|---|---|---|--|
| F | A | C | T | O | R | Y | |
|---|---|---|---|---|---|---|--|

 : Factory mode
- | | | | | | | | |
|---|---|---|--|---|---|--|--|
| M | I | C | | O | N | | |
|---|---|---|--|---|---|--|--|

 : Mic signal output at Front speaker
(Mic入力がFront Speakerから出力)
- | | | | | | | | |
|---|---|---|--|---|---|---|--|
| M | I | C | | O | F | F | |
|---|---|---|--|---|---|---|--|

 : Mic signal don't output at speaker
-

Press the **ENTER** button.

Press the **MUTE** button.

*MUTE Transistor Control Check

- | | | | | | | | |
|---|---|---|---|---|---|---|--|
| F | A | C | T | O | R | Y | |
|---|---|---|---|---|---|---|--|

 : Factory mode
- | | | | | | | | |
|---|---|---|---|--|---|---|--|
| M | - | T | R | | O | N | |
|---|---|---|---|--|---|---|--|

 : Mute transistor control ON
- | | | | | | | | |
|---|---|---|---|--|---|---|---|
| M | - | T | R | | O | F | F |
|---|---|---|---|--|---|---|---|

 : Mute transistor control OFF
-

Press the **MUTE** button on Remote Control or enter MUTE code of RC-5.

* Factory mode is initialized to default setting. (EEPROM is clear.)

3-2 SERVICE Mode : MENU + CURSOR RIGHT (During about 5 sec. : Power On)

- | | | | | | | | |
|---|---|---|---|---|---|---|--|
| S | E | R | V | I | C | E | |
|---|---|---|---|---|---|---|--|

 : Service mode
- | | | | | | | | |
|---|---|---|---|---|---|---|---|
| N | R | 1 | 5 | 0 | 1 | / | X |
|---|---|---|---|---|---|---|---|

 : Model name/Version (U/N/F/K)
- | | | | | | | | |
|---|---|---|---|---|---|---|---|
| 0 | 9 | X | X | X | X | - | X |
|---|---|---|---|---|---|---|---|

 : Main firmware version
- | | | | | | | | |
|---|---|--|---|---|---|---|---|
| D | A | | X | X | X | X | X |
|---|---|--|---|---|---|---|---|

 : Sub firmware version (DSP part)
- | | | | | | | | |
|---|---|---|--|---|---|---|---|
| D | S | P | | X | X | X | X |
|---|---|---|--|---|---|---|---|

 : DSP ROM code
- | | | | | | | | |
|---|---|---|---|---|---|---|---|
| H | D | M | I | X | X | X | X |
|---|---|---|---|---|---|---|---|

 : Sub firmware version (HDMI part)
- | | | | | | | | |
|---|---|---|---|---|---|---|---|
| X | X | X | X | X | X | X | X |
|---|---|---|---|---|---|---|---|

 : FL Test Display1 (Half On/Half On)
- | | | | | | | | |
|---|---|---|---|---|---|---|---|
| X | X | X | X | X | X | X | X |
|---|---|---|---|---|---|---|---|

 : FL Test Display2 (All On/All Off)
- | | | | | | | | |
|---|---|---|--|---|---|---|--|
| C | H | K | | X | X | X | |
|---|---|---|--|---|---|---|--|

 : Error Message. (See 4.SYSTEM ERROR)
When the error occurs, it is displayed.
- : Rotation

Press the **ENTER** button.

3-3 M-CREAR Mode : MENU + CURSOR DOWN (During about 5 sec. : Power On)

- | | | | | | | | |
|---|---|---|---|---|---|---|--|
| M | - | C | R | E | A | R | |
|---|---|---|---|---|---|---|--|

 : EEPROM Clear

3-4 IR Mode : MENU + CURSOR UP (During about 5 sec. : Power On)

- | | | | | | | | |
|---|---|---|---|---|---|--|--|
| E | N | A | B | L | E | | |
|---|---|---|---|---|---|--|--|

 : IR Enable
- | | | | | | | | |
|---|---|---|---|---|---|---|--|
| D | I | S | A | B | L | E | |
|---|---|---|---|---|---|---|--|

 : IR Disable

Press the **Cursor Left** or the **Cursor Right**.

* When pressing the **ENTER** button, it enter in normal operational mode.

4. SYSTEM ERROR

When the problem is caused on the circuit, the following are displayed with SERVICE MODE. The display is displayed with SERVICE MODE next to "FL TEST DISPLAY2".
(3-2 Refer to SERVICE Mode.)

1. C H K D S P

- Indication of abnormalities with the DSP (HDMI PWB/IC1601) Interface
- Points to be checked
 - 1) Version indication of sub CPU is normal when checking in Service mode.
 - 2) Voltage of all IC (HDMI PWB) is supplied properly.
 - 5V SUPPLY : CN1101/1-2pin
 - 3.3V SUPPLY : IC1006, IC1007, IC1502
 - 1.8V SUPPLY : IC1005, IC1302, IC1606
 - 1.2V SUPPLY : IC1004

2. C H K E E P

- Indication of abnormalities with the EEPROM (MAIN PWB/IC103) Interface
- Points to be checked
 - 1) The IC103(FT24C08)/8pin is supplied with +3.3V
 - 2) Clock line(IC103/6pin-R276-IC102/59pin) is normal when the power is ON.
 - 3) Data line(IC103/5pin-R277-IC102/58pin) is normal when the power is ON.
 - 4) If none of the above is negative, the IC103 may be having a defect.

3. C H K C P U

- Indication of communication error between main CPU (MAIN PWB/IC102) and sub CPU (HDMI PWB/IC1401)
- Points to be checked
 - 1) Voltage of main CPU (MAIN PWB/IC102) and sub CPU (HDMI PWB/IC1401) is supplied properly.
 - 3.3V SUPPLY : IC102 (MAIN PWB), IC1401 (HDMI PWB)
 - 2) Oscillation of two CPU is normal.
 - IC102 (MAIN PWB) : 16MHz
 - IC1401 (HDMI PWB) : 16MHz

4. STANDBY LED FLICKERING

- Indication of power supply error detection
 - 1) When this system error is detected, if you try to turn on the product with remote control, STANDBY LED will be flickering rapidly.
 - 2) How to recover from this system error, press [MENU]+[ENTER] button at a time.
 - 3) However, once any of the system error is redetected, the product goes into STANDBY again.

回路上に問題が生じているときは、SERVICE MODEで下記が表示されます。表示は、SERVICE MODEで、FL TEST DISPLAY2の次に表示されます。(3-2 SERVICE Mode参照)

- DSP(HDMI PWB/IC1601)インターフェースにおいて、異常が発生
- チェックポイント
 - 1) サービスモードで正常にサブCPUのバージョンが表示されるか。
 - 2) すべてのIC(HDMI PWB)に適切な電圧が供給されているか。
 - 5V SUPPLY : CN1101/1-2pin
 - 3.3V SUPPLY : IC1006, IC1007, IC1502
 - 1.8V SUPPLY : IC1005, IC1302, IC1606
 - 1.2V SUPPLY : IC1004

- EEPROM (MAIN PWB/IC103)との通信異常
- チェックポイント
 - 1) IC103(FT24C08)/8pin に+3.3V供給されている。
 - 2) 電源ON時にクロックライン(IC103/6pin-R276-IC102/59pin)が正常である。
 - 3) 電源ON時にデータライン(IC103/5pin-R277-IC102/58pin)が正常である。
 - 4) もし上記が異常なければ、IC103が壊れている可能性があります。

- メインCPUとサブCPUの通信エラー
- チェックポイント
 - 1) メインCPUの電圧とサブCPUの電圧を確認します。
 - 3.3V SUPPLY : IC102 (MAIN PWB), IC1401 (HDMI PWB)
 - 2) 2つのCPUが正常に発信しているか確認します。
 - IC102 (MAIN PWB) : 16MHz
 - IC1401 (HDMI PWB) : 16MHz

4. STANDBY LED 点滅

- 電源異常の検出
 - 1) この異常が発生すると、STANDBY LEDは早い点滅を行います。
 - 2) このエラーから復帰するには、MENUボタンと、ENTERボタンを同時に押して電源を入れます。
 - 3) しかしながら、システム・エラーのどれかがいったん再検出されると、製品は再びSTANDBYに入ります。

Reason	Check Points
Detection of an abnormality on ±12V supply.	+12V supply : IC202 (MAIN PWB), IC205 (MAIN PWB, +9V)
+5VD and +3.3VD IN error detection	+5VD supply : IC201 (MAIN PWB)
	+3.3VD IN supply (+11~14VD) : IC1006 (HDMI PWB), IC1007 (HDMI PWB)

5. TROUBLESHOOTING

1 Power On Failure

- Symptom
 - 1) FL display does not light up.
 - 2) STANDBY LED does not light up.
- Points to be checked
 - 1) AC Inlet : CP301 (STBY PWB)
 - 2) Power trans : Main & Standby
 - 3) Fuse : F301
 - 4) Power switch : PSW401 (POWER-SW PWB)
 - 5) Connector's disconnection or disjunction : CP207 FPC201 (MAIN PWB)

2 Auto Power Off

- Symptom
Power off in 2~3 sec. after Power On
- Points to be checked
 - 1) Regulator IC : IC201, IC202, IC203, IC205 (MAIN PWB)
 - 2) Drive transistor (POWER TR) : Q205, Q206 (FL/FR/C/SL/SR/SBL/SBR) (AMP PWB)
 - 3) Protection circuit check : IC102 #19, #93
 - 4) Connector's disconnection or disjunction : CP101, CP102, CP112 (MAIN PWB) CP202 (AMP PWB)

3 Bass/Treble Control Failure

- Symptom
Bass/Treble control doesn't work well.
- Points to be checked
 - 1) Resistor/Capacitor correction figure check : IC101 #26, #27, #28, #33, #34, #35 (MAIN PWB)
 - 2) Volume IC check : IC101 #49, #50 (MAIN PWB)

4 Amp Sound Dead

- Symptom
No sound from Speaker output
- Points to be checked
 - 1) Signal Mute check : IC102 #42, #43, #44, #45 (MAIN PWB)
 - 2) Speaker Relay check : IC102 #3, #4, #5, #6 (MAIN PWB)
 - 3) Headphone wire connector disjunction : CP104 (MAIN PWB)

5 AC3/DTS Failure

- Symptom
AC3/DTS no sound
- Points to be checked
 - 1) Regulator IC : IC1004, IC1005, IC1006, IC1007, IC1302, IC1502, IC1606 (HDMI PWB)

5. トラブルシューティング

1 電源が入らない

- [1] 症状
 - 1) FLが表示しない
 - 2) STANDBY LEDが点灯しない
- [2] チェックポイント
 - 1) AC Inlet : CP301
 - 2) パワートランス : メインとスタンバイ
 - 3) フューズを確認 : F301
 - 4) パワースイッチ : PSW401
 - 5) コネクタの断線か、外れていないかを確認してください : CP207とFPC201(メイン基板)

2 オートパワーオフ

- [1] 症状
Powerスイッチをオンした後、2、3秒でオフしてしまう。
- [2] チェックポイント
 - 1) レギュレーター IC : IC201, IC202, IC203, IC205 (MAIN PWB)
 - 2) ドライブトランジスタ (パワートランジスタ) : Q205, Q206 (FL/FR/C/SL/SR/SBL/SBR) (AMP PWB)
 - 3) プロテクション回路 : IC102 #19, #93
 - 4) コネクタの断線か、外れていないかを確認してください : CP101, CP102, CP112 (MAIN PWB) CP202 (AMP PWB)

3 Bass/Treble が動作しない

- [1] 症状
Bass/Treble が動作していない
- [2] チェックポイント
 - 1) 次の抵抗/コンデンサーが正しいか確認してください : IC101 #26, #27, #28, #33, #34, #35 (MAIN PWB)
 - 2) 次のICを確認してください。 : IC101 #49, #50 (MAIN PWB)

4 音が出ない

- [1] 症状
スピーカーから音が出力されない
- [2] チェックポイント
 - 1) ミュート信号を確認してください : IC102 #42, #43, #44, #45 (MAIN PWB)
 - 2) スピーカーリレーを確認してください : IC102 #3, #4, #5, #6 (MAIN PWB)
 - 3) ヘッドホンの配線、コネクタのはずれがないか確認してください : CP104 (MAIN PWB)

5 AC3/DTS

- [1] 症状
AC3/DTSの音がでない
- [2] チェックポイント
 - 1) レギュレーター IC : IC1004, IC1005, IC1006, IC1007, IC1302, IC1502, IC1606 (HDMI PWB)

- 2) Digital Input Check : CN1001 #1, #3, #5 (HDMI PWB)
- 3) DSP Data & Clock Check : IC1602 #4, #7, #12, IC1603 #4, #7, #9, #12 (HDMI PWB)
- 4) DAC Output Check : CN1002 #1, #3, #5, #7, #9, #11, #13, #15 (HDMI PWB)

6 Video Output Dead

- Symptom
Video output isn't
- Points to be checked
 - 1) Regulator IC : IC406, IC407 (VIDEO PWB)
 - 2) CPU interface Port Check : CN402 #3, #4, #5, #6, #7, #8, #9, #10, #11, #12 (VIDEO PWB)

7 Remote Controller Failure

- Symptom
Set isn't controlled by Remote Control Unit
- Points to be checked
 - 1) Battery Check
 - 2) CPU Vcc Check : FPC201 #6, #7 (3V3) (MAIN PWB)
 - 3) Remote Control Data Check : FPC201 #12 (MAIN PWB)

8 RC-5 Failure

- Symptom
Set isn't controlled by RC-5
- Points to be checked
 - 1) RC-5 VCC Check : J192 (5V) (MAIN PWB)
 - 2) RC-5 Control Data Check : IC102 #1, #2, #7 (MAIN PWB)

9 HDMI Failure

- Symptom
HDMI No Sound and No Video output
- Points to be checked
 - 1) Regulator IC : IC1004, IC1005, IC1006, IC1007, IC1302 (HDMI PWB)
 - 2) CPU Interface Port Check : IC1401 #81~#91

10 Tuner Failure

- Symptom
 - 1) FM Failure
 - 2) AM Failure
- Points to be checked
 - 1) Tuner Pack Vcc Check : IC205, Tuner Pack #4 (MAIN PWB)
 - 2) Check TUNED Port : IC102 #51 (R295) (MAIN PWB)
 - 3) Check Tuner Pack Data & Clock Port : IC102 #53 (R283), #54 (R284) (MAIN PWB)

- 2) デジタル入力の確認 : CN1001 #1, #3, #5 (HDMI PWB)
- 3) DSP データとクロックの確認 : IC1602 #4, #7, #12, IC1603 #4, #7, #9, #12 (HDMI PWB)
- 4) DAC 出力の確認 : CN1002 #1, #3, #5, #7, #9, #11, #13, #15 (HDMI PWB)

6 ビデオ出力

- [1] 症状
ビデオが出力しない
- [2] チェックポイント
 - 1) レギュレーター IC : IC406, IC407 (VIDEO PWB)
 - 2) CPU インターフェースポート確認 : CN402 #3, #4, #5, #6, #7, #8, #9, #10, #11, #12 (VIDEO PWB)

7 リモコンが動作しない

- [1] 症状
リモコンを操作しても反応しない
- [2] チェックポイント
 - 1) 電池をチェックする
 - 2) CPU の VCC を確認する : FPC201 #6, #7 (3V3) (MAIN PWB)
 - 3) リモコンのデータを確認する : FPC201 #12 (MAIN PWB)

8 RC-5

- [1] 症状
RC-5 で本体が制御できない
- [2] チェックポイント
 - 1) RC-5VCC を確認する
 - 2) RC-5 制御データを確認する

9 HDMI

- [1] 症状
HDMI で音、映像がでない
- [2] チェックポイント
 - 1) レギュレーター IC : IC1004, IC1005, IC1006, IC1007, IC1302 (HDMI PWB)
 - 2) CPU インターフェースポート確認 : IC1401 #81~#91

10 チューナー

- [1] 症状
 - 1) FM
 - 2) AM
- [2] チェックポイント
 - 1) チューナーパックの VCC を確認 : IC205, Tuner Pack #4 (MAIN PWB)
 - 2) TUNED ポートの確認 : IC102 #51 (R295) (MAIN PWB)
 - 3) チューナーパックのデータ、クロックの確認 : IC102 #53 (R283), #54 (R284) (MAIN PWB)

6. UPDATE FIRMWARE

Note:

When the following are replaced, always rewrite with updated firmware using "CONNECTION JIG FOR UPDATE"(Parts No : 963-NR1501JIG). (Refer to parts list of "HDMI PCB" (85, 89 page) and "MAIN PCB" (98 page).)

HDMI PCB

- HDMI PCB ASSY (85 page)
- IC1401 (M3030RFEPFP FLASH(192K,6K)QFP100) (89 page)

MAIN PCB

- IC102 (M3030RFEPFP FLASH(192K,6K)QFP100) (98 page)

MAIN/SUB CPU's software to internal Flash-ROM.

1. Put the Update firmware into anywhere on your PC's hard disc.
2. Connect the mains cord into the unit.
3. Press the **POWER ON** button for turn on the unit.
4. Connect the slit on rear panel of the unit and "CONNECTION JIG FOR UPDATE" (Parts No : 963-NR1501JIG).

Note: MAIN CPU Update is connector of left side.
SUB CPU Update is connector of right side.

Next, connect the "CONNECTION JIG FOR UPDATE" (Parts No : 963-NR1501JIG) and the Serial Port of windows PC with RS-232C straight cable.

5. Press the **RESET** button of "CONNECTION JIG FOR UPDATE" (Parts No : 963-NR1501JIG).

注意:

下記を交換した場合は、最新のファームウェアを必ず "CONNECTION JIG FOR UPDATE" (Parts No : 963-NR1501JIG) を使って書き換えてください。(詳細は、部品表 "HDMI PCB" (85, 89ページ)と"MAIN PCB" (98ページ)を参照してください。)

HDMI PCB

- HDMI PCB ASSY (85 ページ)
- IC1401 (M3030RFEPFP FLASH(192K,6K)QFP100) (89 ページ)

MAIN PCB

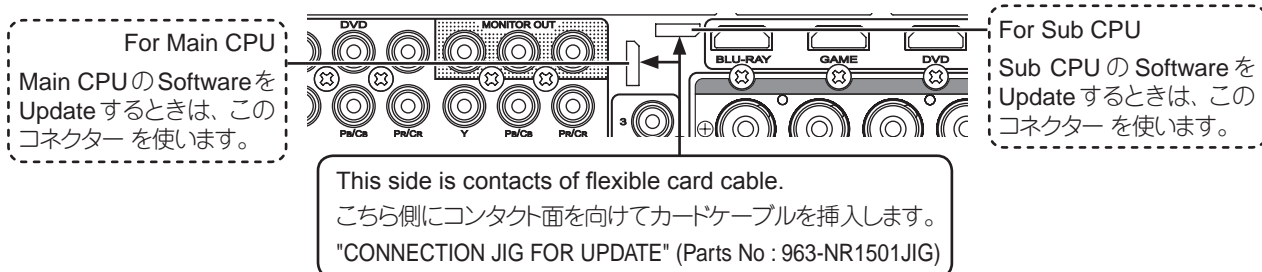
- IC102 (M3030RFEPFP FLASH(192K,6K)QFP100) (98 ページ)

1. アップデート用のファームウェアをPCの任意のフォルダにコピーします。
2. 本機に電源ケーブルを差します。
3. **POWER ON** ボタンを押し、本機の電源を入れます。
4. 本機のリアパネルにあるスリットに"CONNECTION JIG FOR UPDATE" (Parts No : 963-NR1501JIG)を接続します。

注意: Main CPU のアップデートは、向かって左側のコネクタを使用します。Sub CPU のアップデートは、向かって右側(上部)のコネクタを使用します。

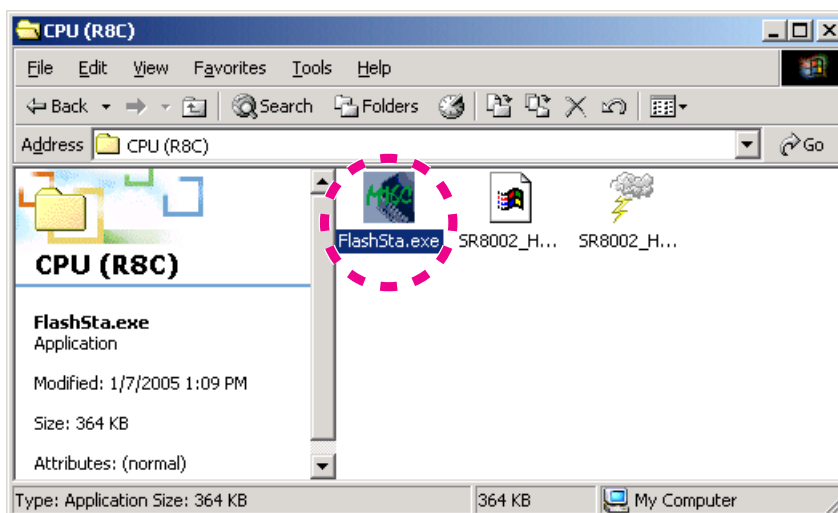
次に "CONNECTION JIG FOR UPDATE" (Parts No : 963-NR1501JIG) と Windows PC の Serial ポートを RS-232C ストレート ケーブルで接続します。

5. "CONNECTION JIG FOR UPDATE" (Parts No : 963-NR1501JIG) の **RESET** ボタンを押しします。



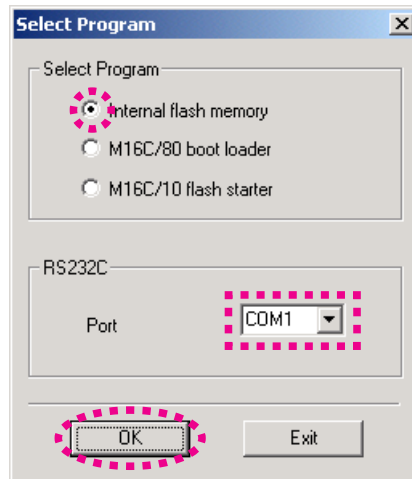
6. Double click the FlashSta.exe. And launch the M16 Flash Start.

6. FlashSta.exe をダブルクリックし、M16 Flash Start を起動します。



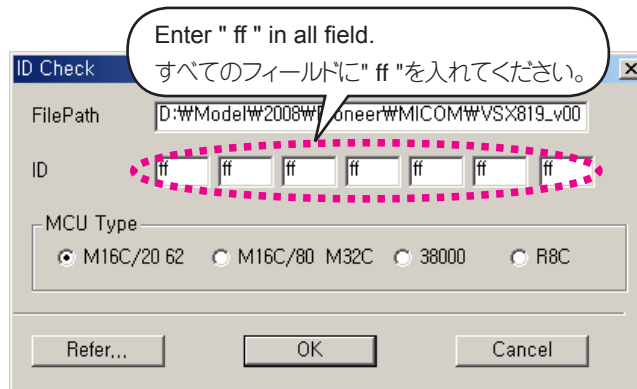
7. Check the **Internal flash memory** in the Select Program.
Choose the COM Port number. And click the **OK**.

7. Select Programの**Internal flash memory**にチェックをして下さい。使用するCOMポート番号を選択します。
OKをクリックします。



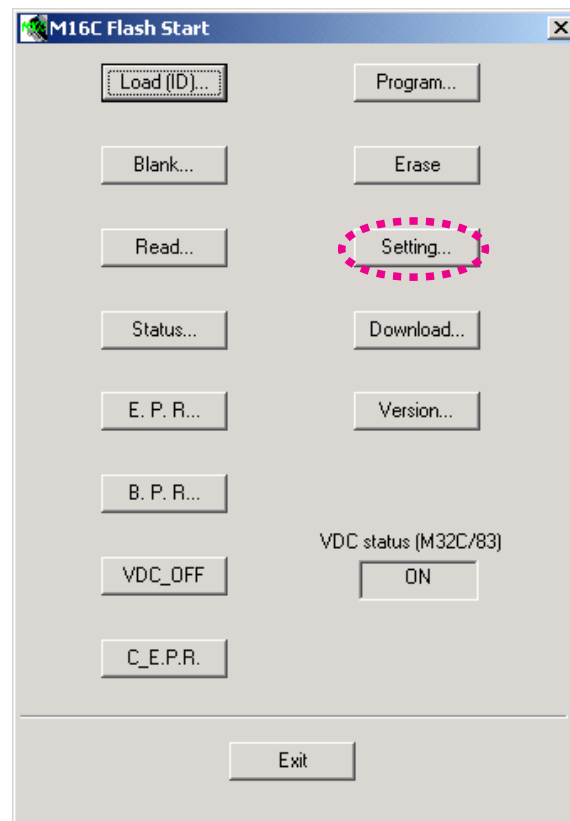
8. Select upgrade file and enter ID " ff ".

8. アップデート用のファイルを選択して、IDに" ff "を入れます。



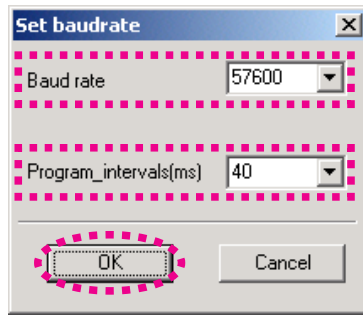
9. Click the **Setting....**

9. **Setting...** をクリックします。



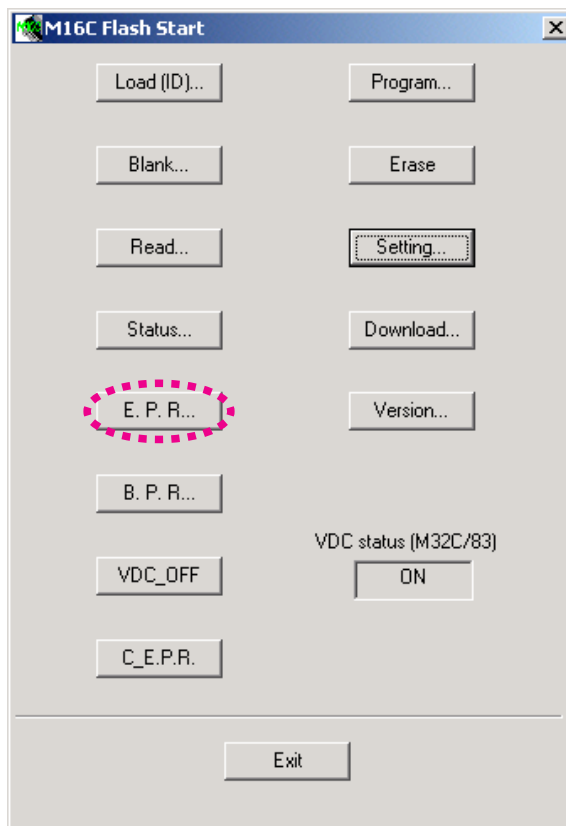
10. Choose the **57600** in the Baud rate.
(Set Baud rate to 38400 higher Max speed is 115200.)
Choose the 40 in Program_intervals(ms).
Click the **OK**.

10. Baud rate から**57600**を選択します。(38400～115200)
Program_intervals(ms)を40にします。
OKをクリックします。



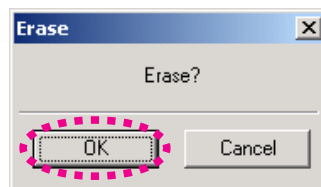
11. Click the **E.P.R...**

11. **E.P.R...**をクリックします。



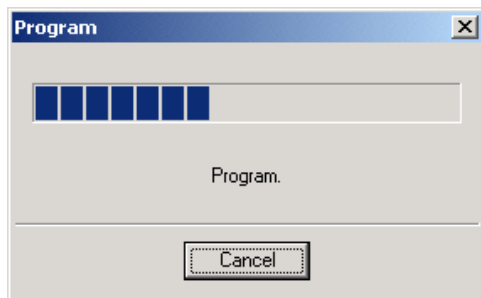
12. Click the **OK**.

12. **OK**をクリックします。



13. Software is written into the internal Flash-ROM of CPU.
The writing of software takes about 2 minutes.

13. ソフトウェアがCPUの内部フラッシュROMに書き込まれます。
書き込みにかかる時間は約2分です。



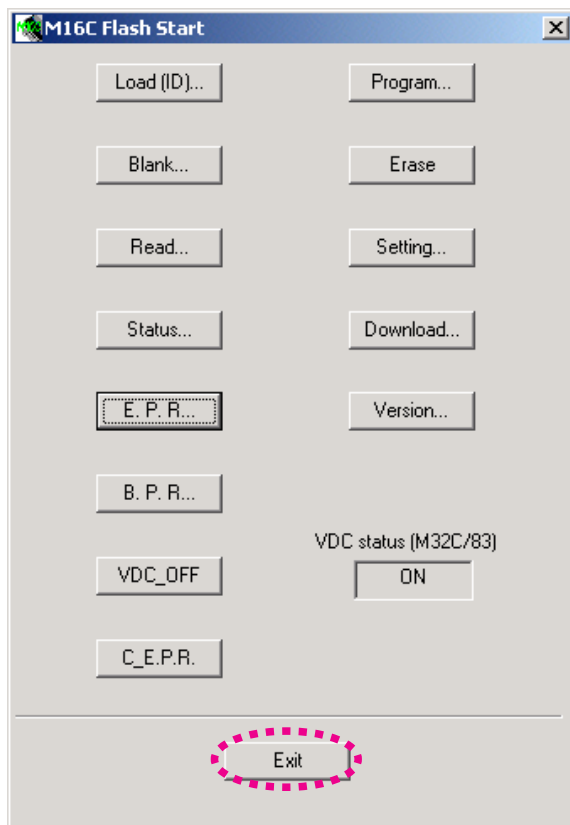
14. Click the **OK**.

14. **OK**をクリックします。



15. Click the **Exit**.

15. **Exit**をクリックします。



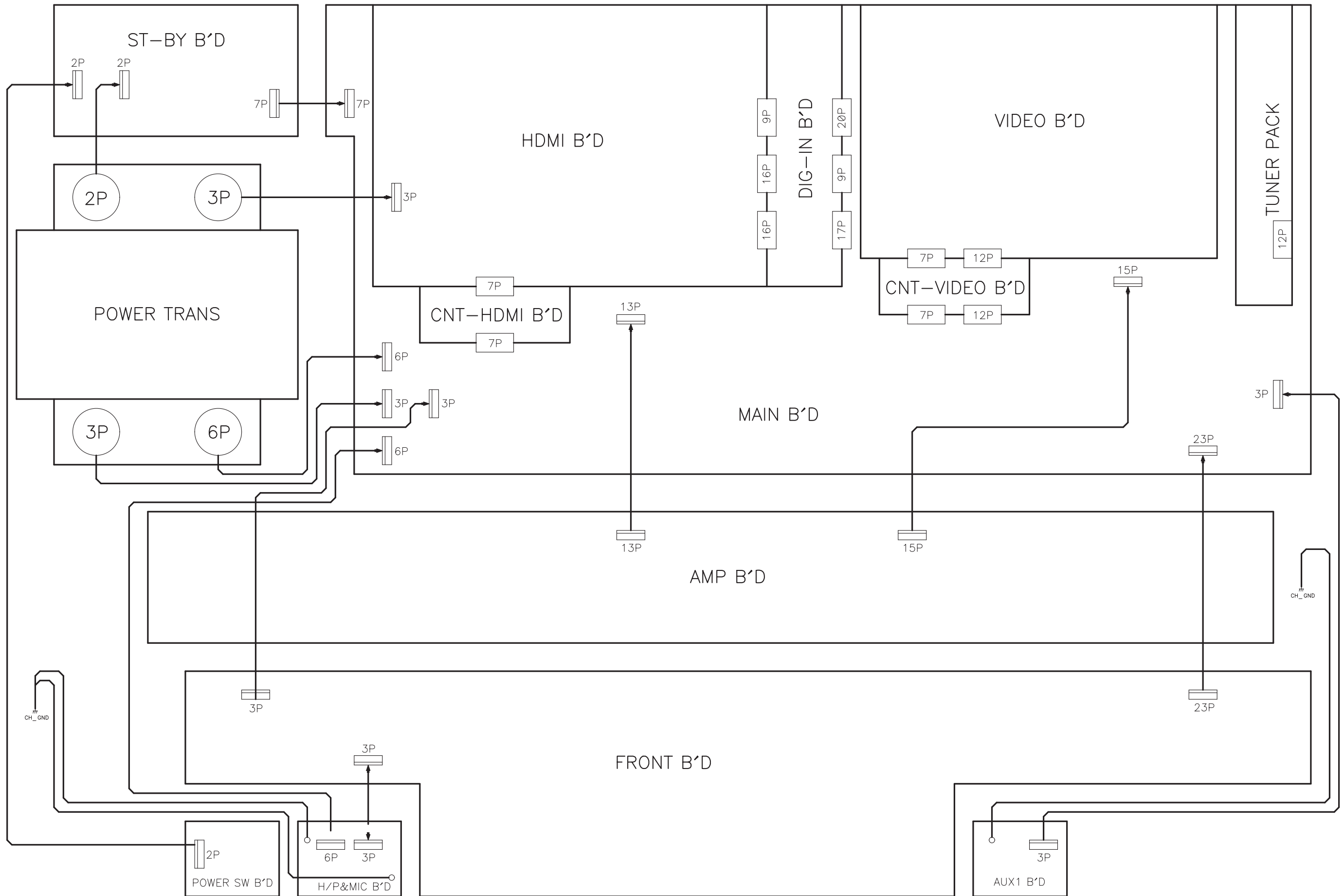
16. Disconnect the mains cord.

16. 本機から電源コードを外します。

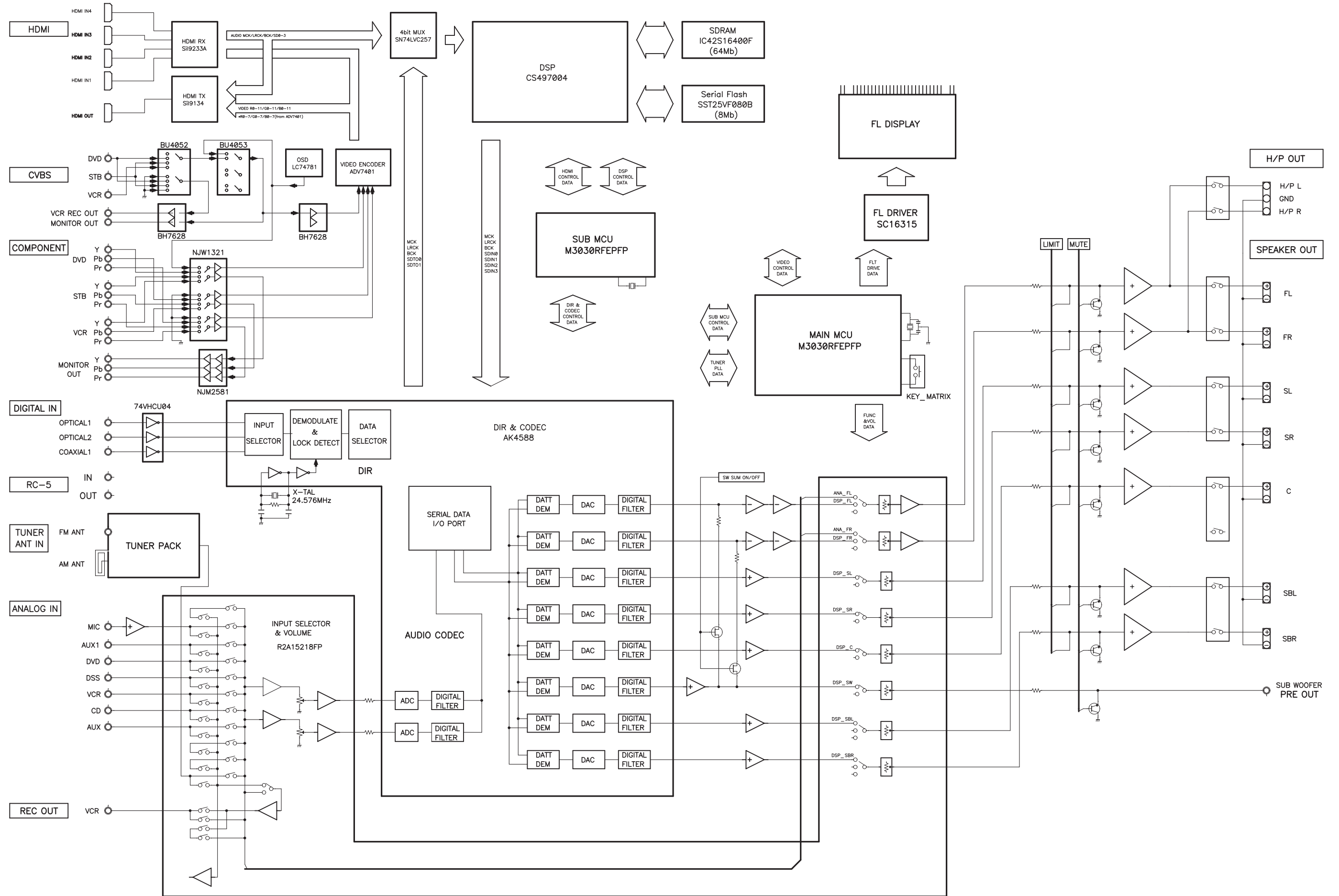
17. Disconnect the RS-232C cable from the unit.

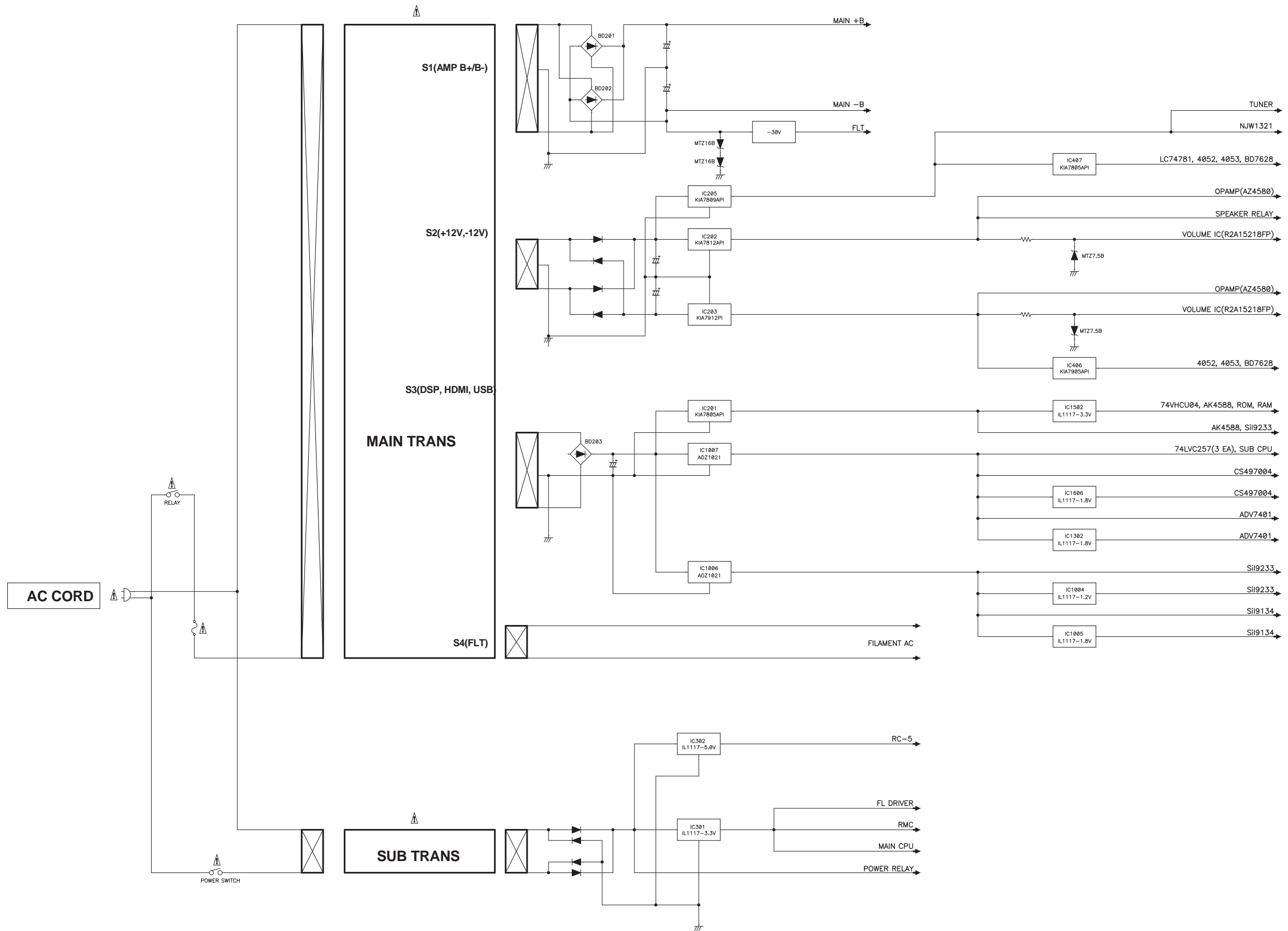
17. 本機からRS-232Cケーブルを抜きます。

7. WIRING DIAGRAM



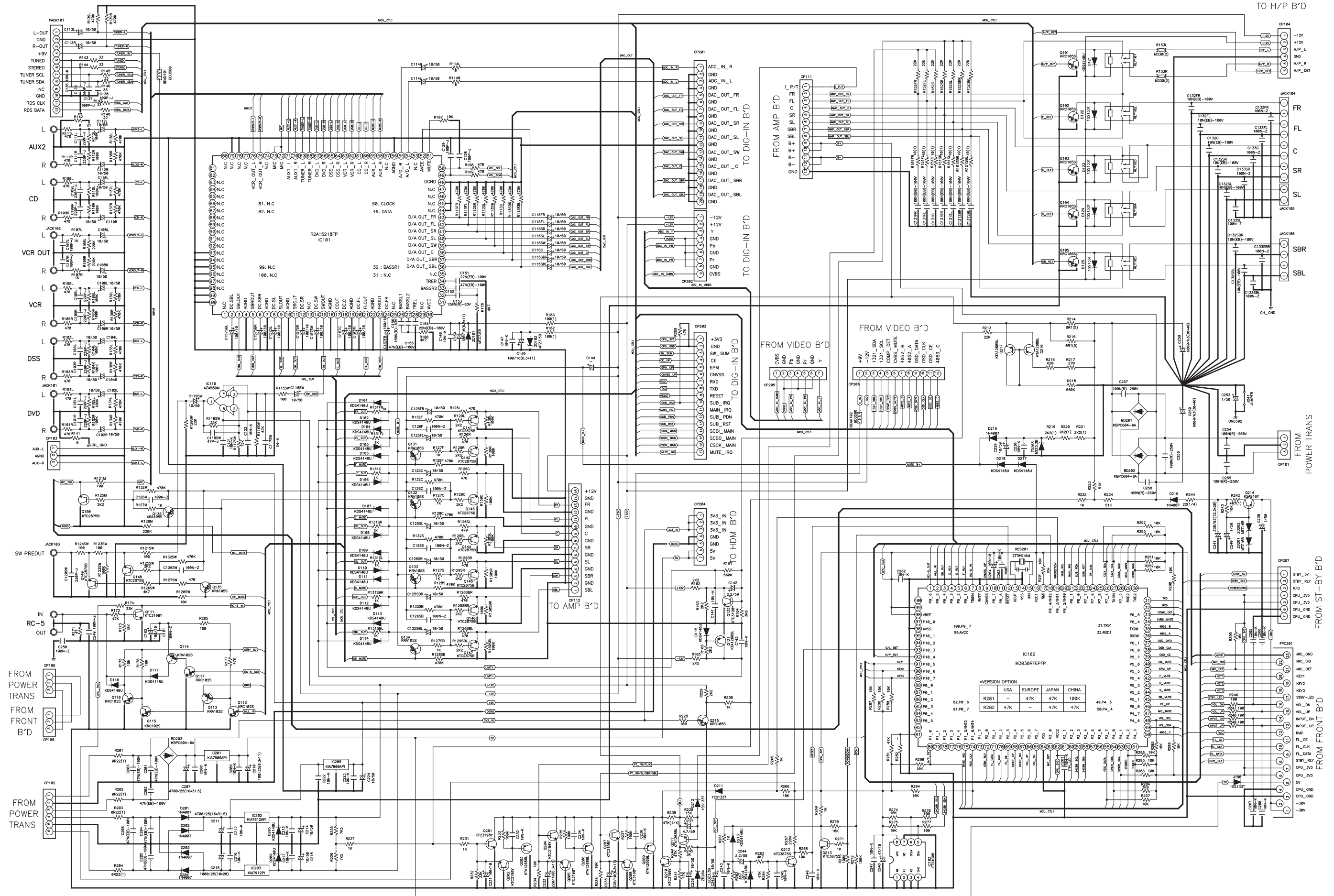
8. BLOCK DIAGRAM

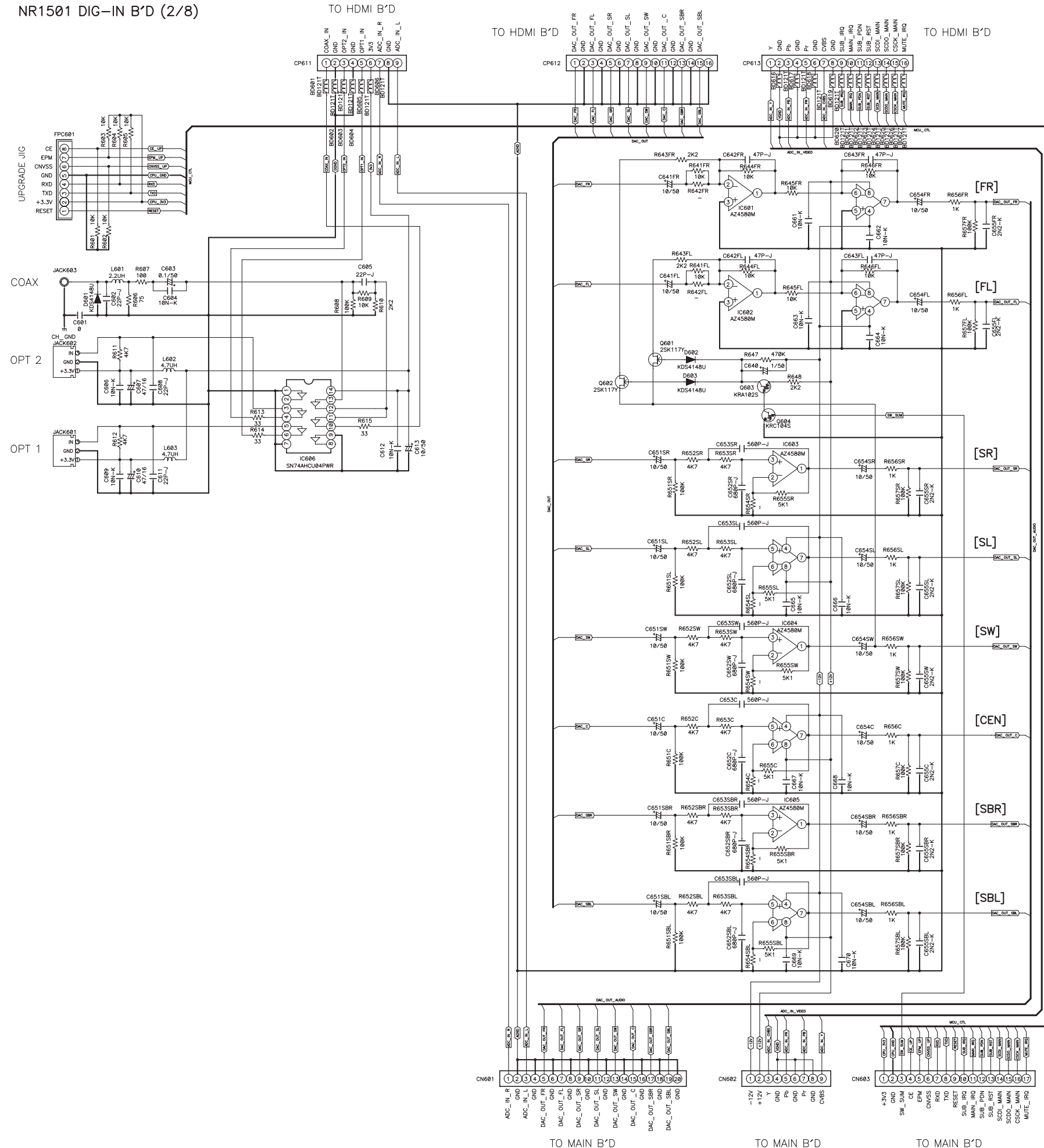




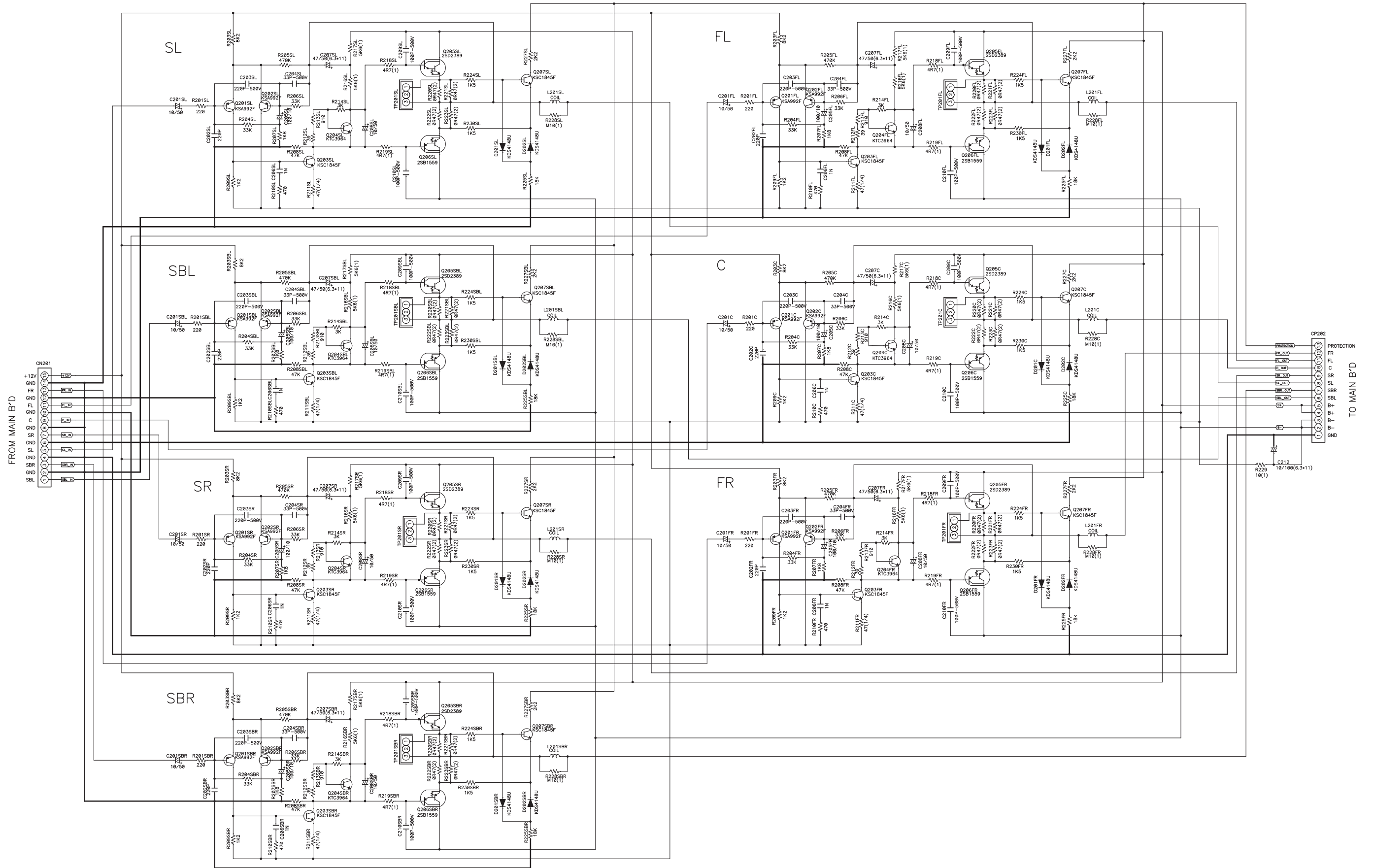
9. SCHEMATIC DIAGRAM

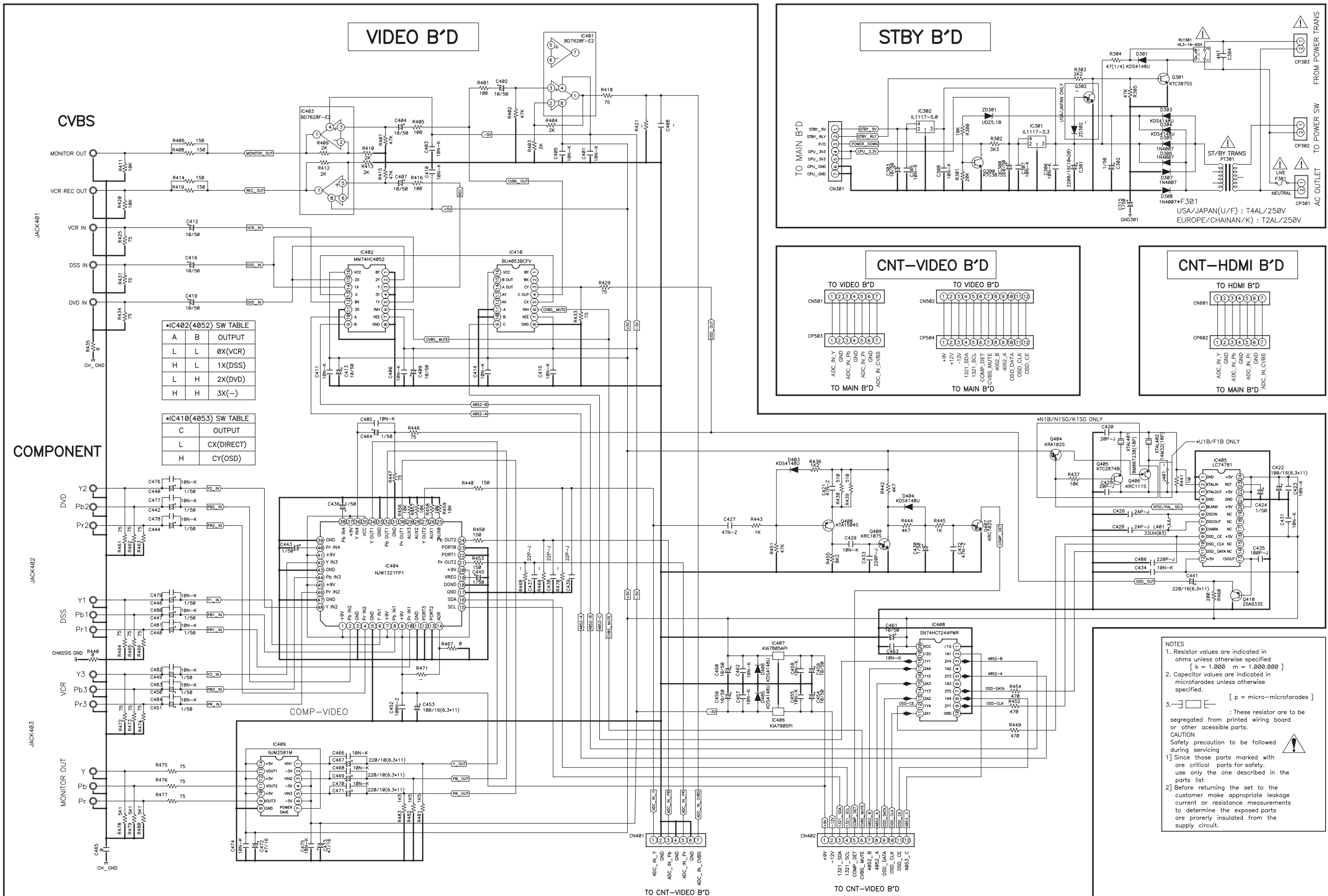
MAIN B'D (1/8)





NR1501 AMP B'D (3/8)





***IC402(4052) SW TABLE**

A	B	OUTPUT
L	L	0X(VCR)
H	L	1X(DSS)
L	H	2X(DVD)
H	H	3X(-)

***IC410(4053) SW TABLE**

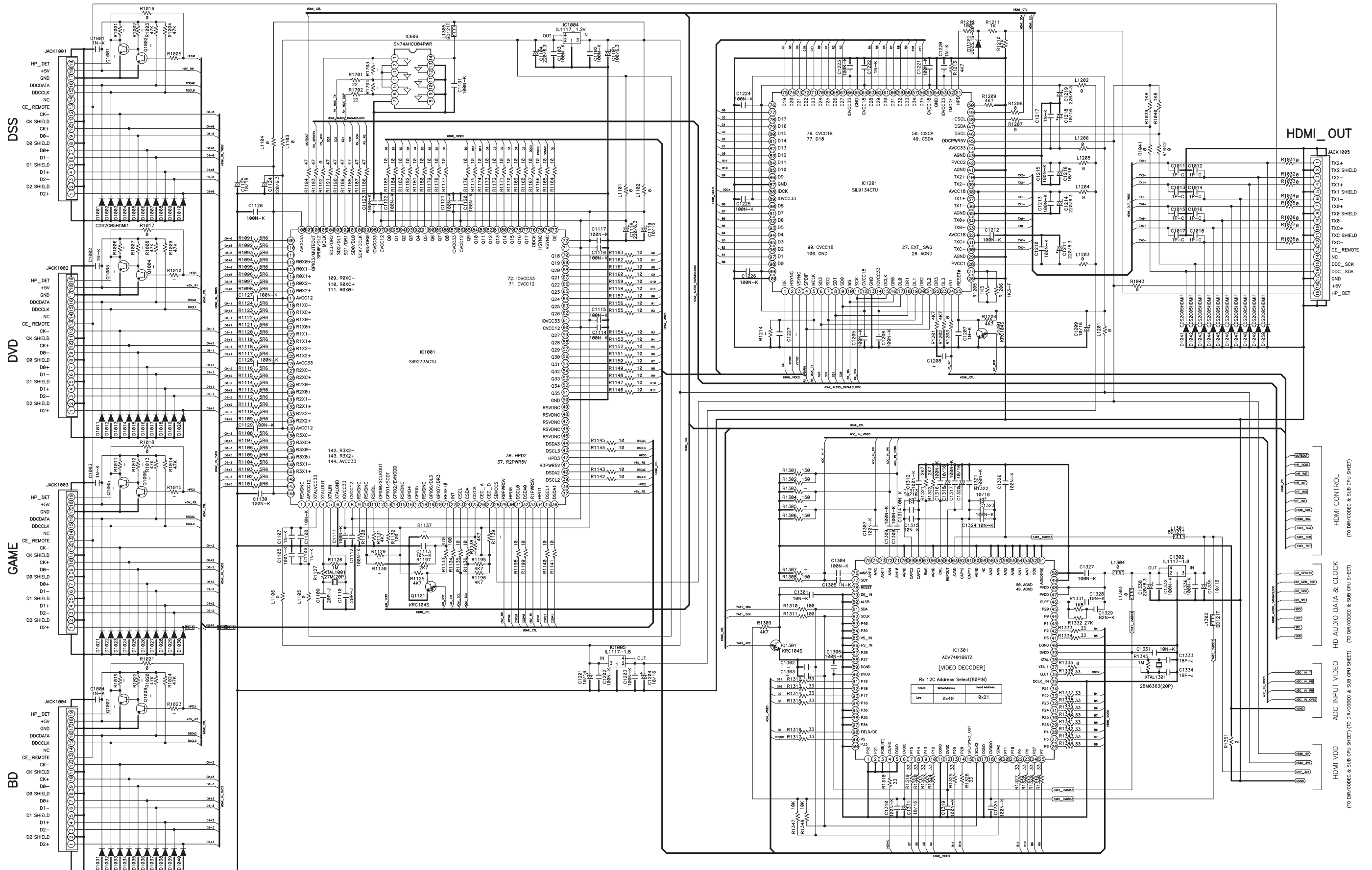
C	OUTPUT
L	CX(DIRECT)
H	CY(OSD)

NOTES

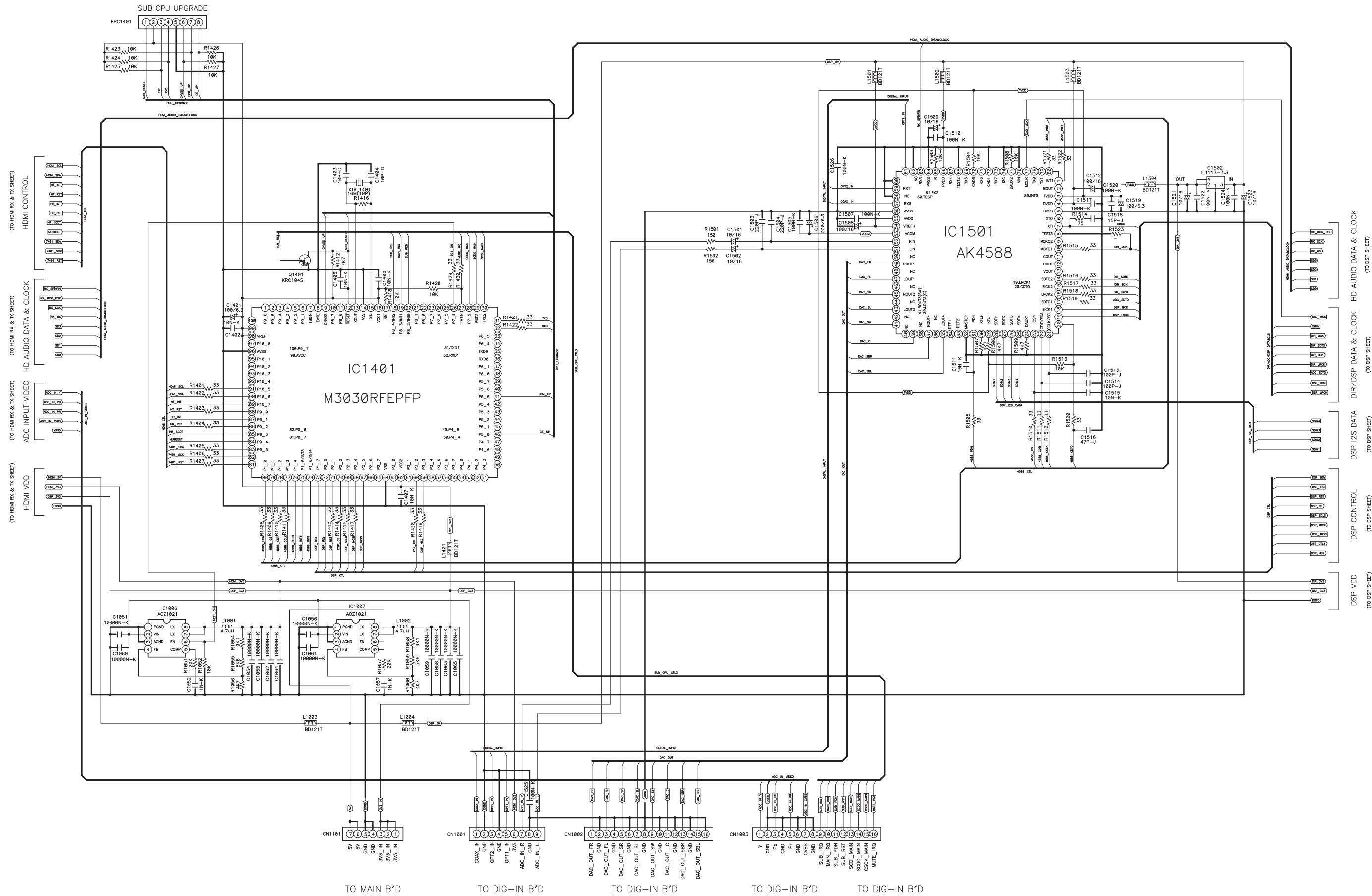
- Resistor values are indicated in ohms unless otherwise specified [k = 1.000 m = 1.000.000]
- Capacitor values are indicated in microfarads unless otherwise specified. [p = micro-microfarads]
- These resistor are to be segregated from printed wiring board or other accessible parts.

CAUTION
Safety precaution to be followed during servicing

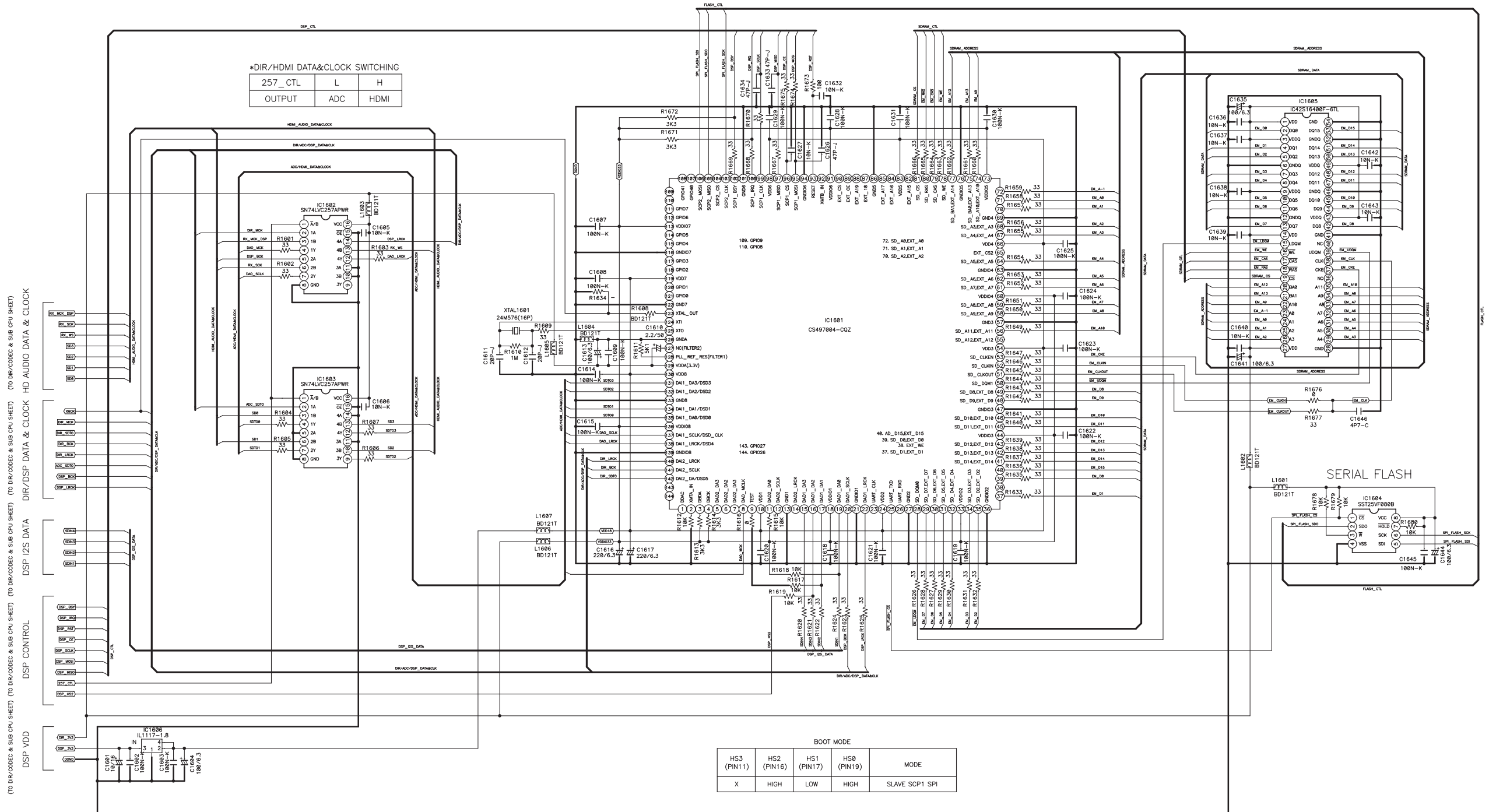
- 1) Since those parts marked with a critical parts for safety, use only the one described in the parts list
- 2) Before returning the set to the customer make appropriate leakage current or resistance measurements to determine the exposed parts are properly insulated from the supply circuit.



NR1501 HDMI & DSP B'D – DIR/CODEC & SUB CPU (7/8)

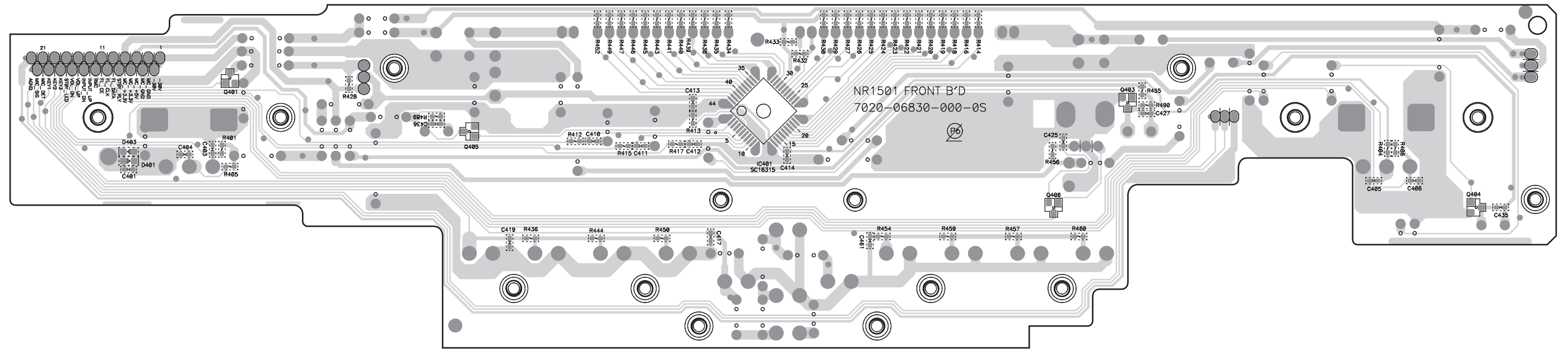


NR1501 HDMI & DSP B'D - DSP (8/8)

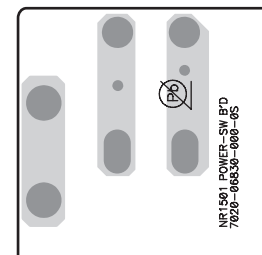


10. PARTS LOCATION

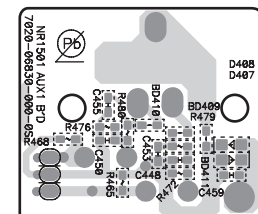
FRONT PWB (A side)



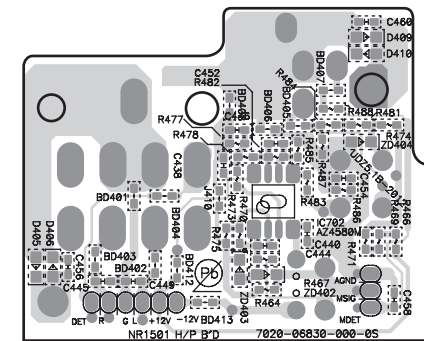
FRONT PWB (A side)



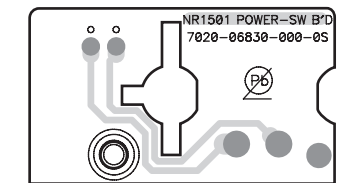
FRONT PWB (A side)



FRONT PWB (A side)

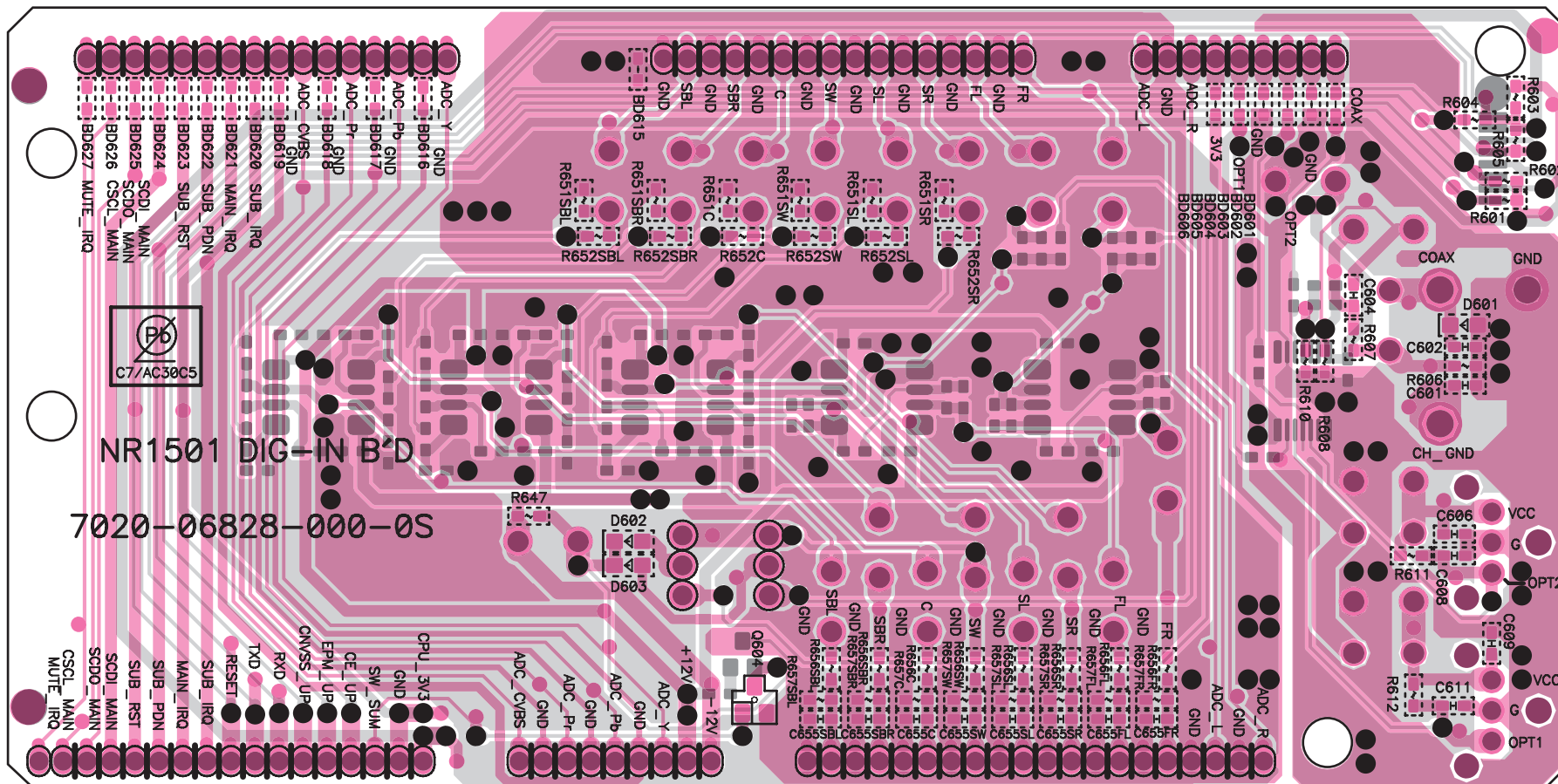


FRONT PWB (A side)

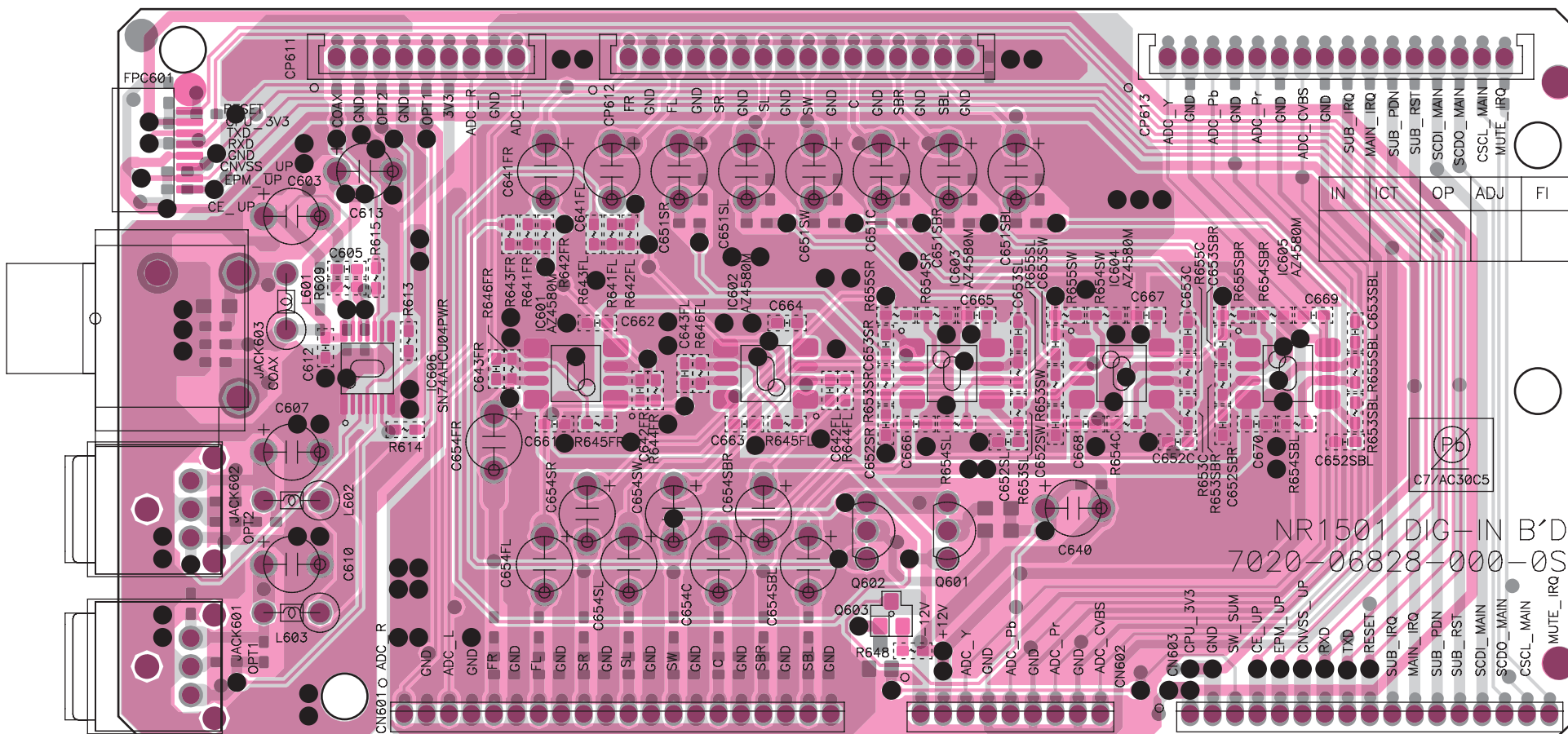


鉛フリー半田
半田付けには、鉛フリー半田 (Sn-Ag-Cu) を使用してください。
Lead-free Solder
When soldering, use the Lead-free Solder (Sn-Ag-Cu).

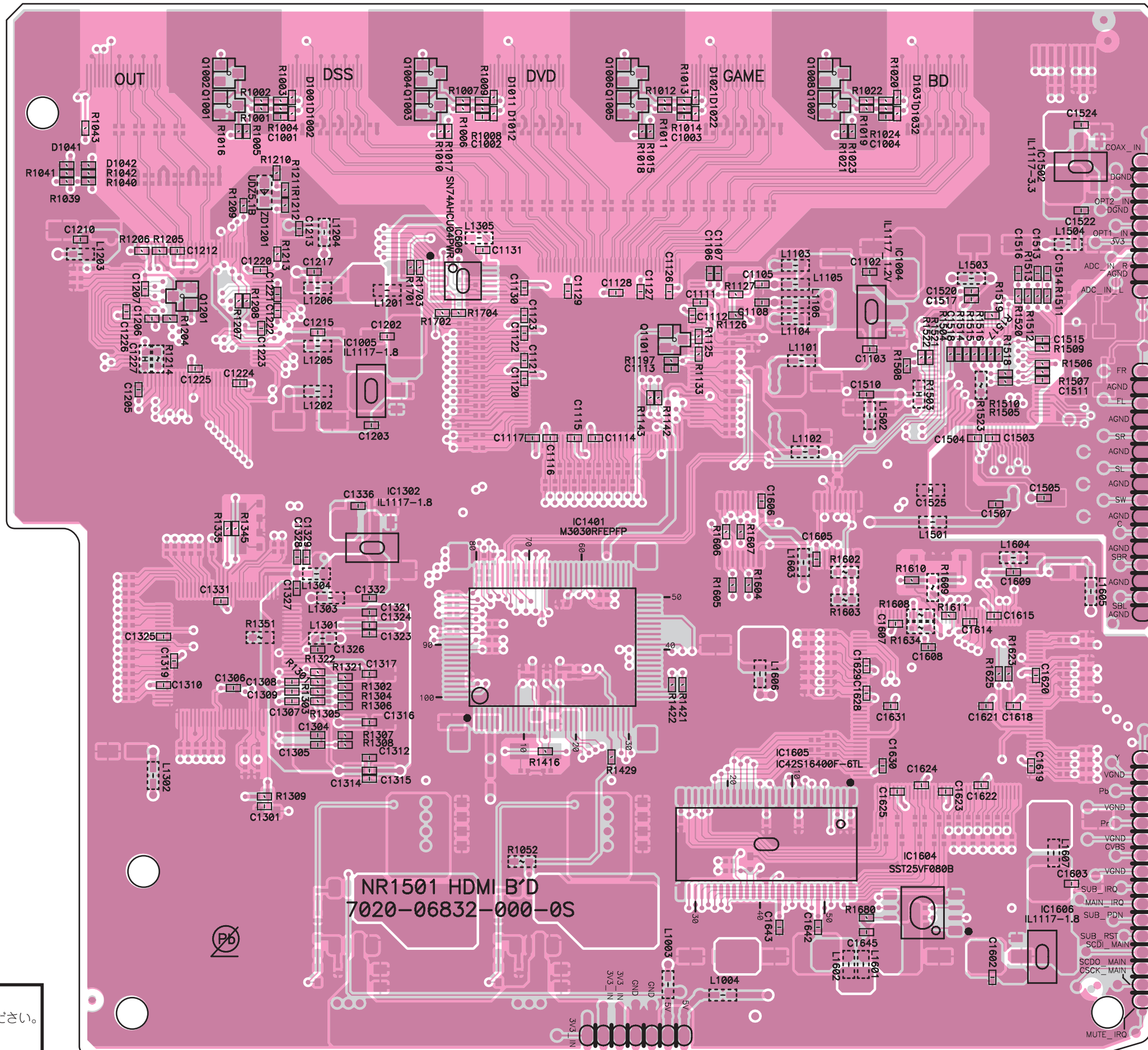
DIG-IN PWB (A side)



DIG-IN PWB (B side)



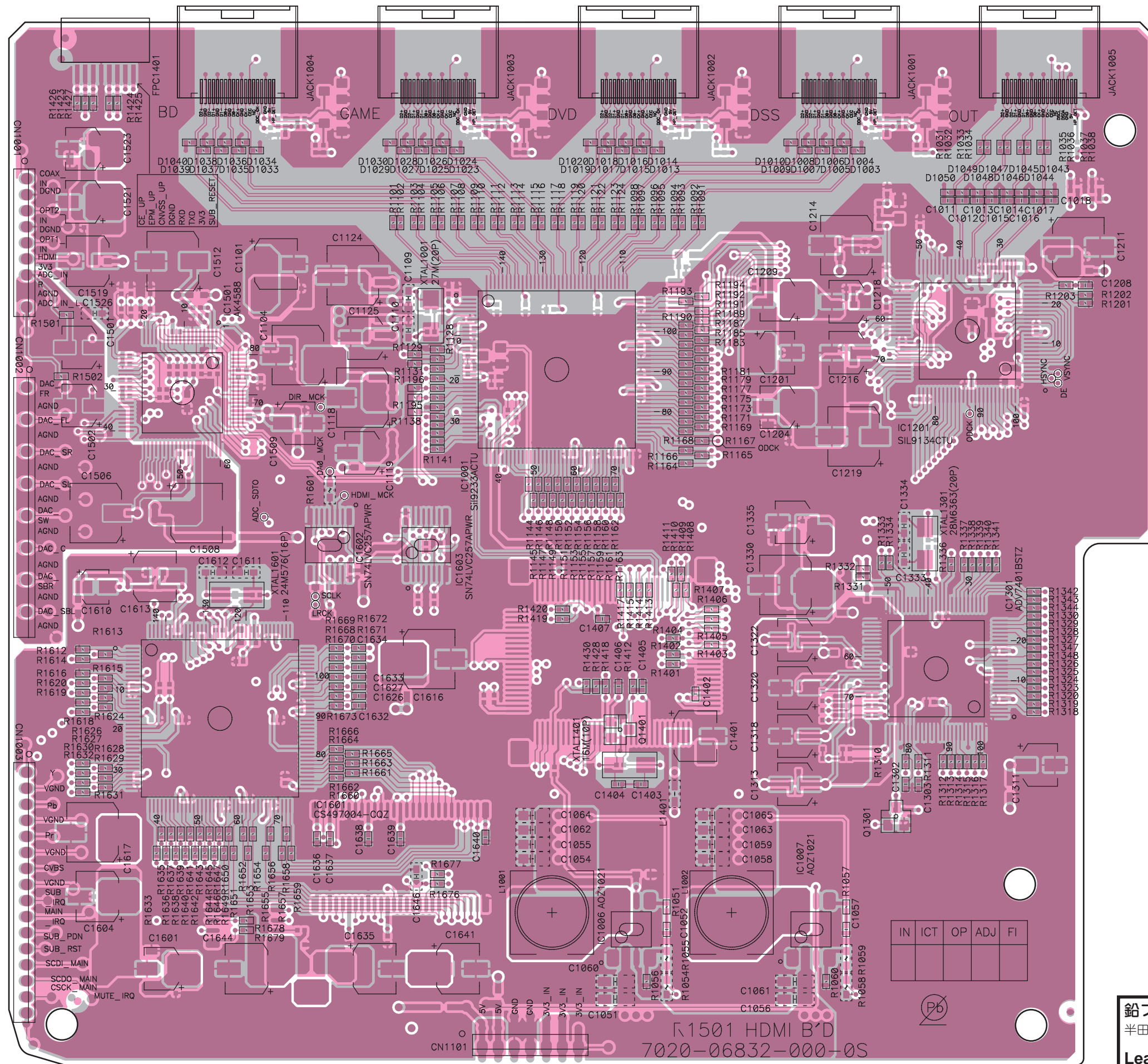
鉛フリー半田
 半田付けには、鉛フリー半田 (Sn-Ag-Cu) を使用してください。
Lead-free Solder
 When soldering, use the Lead-free Solder (Sn-Ag-Cu).



鉛フリー半田
半田付けには、鉛フリー半田 (Sn-Ag-Cu) を使用してください。

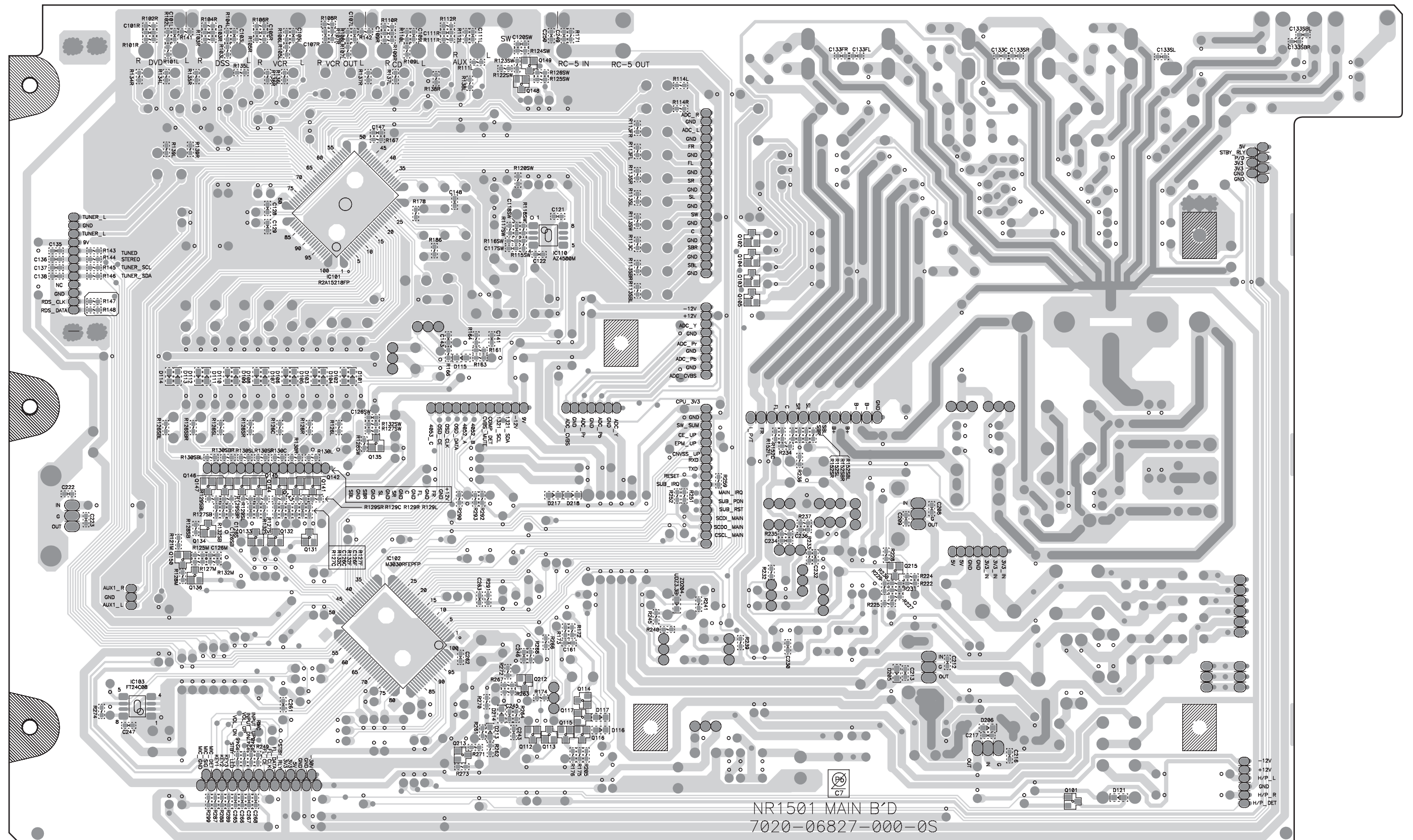
Lead-free Solder
When soldering, use the Lead-free Solder (Sn-Ag-Cu).

HDMI PWB (B side)



鉛フリー半田
半田付けには、鉛フリー半田 (Sn-Ag-Cu) を使用してください。
Lead-free Solder
When soldering, use the Lead-free Solder (Sn-Ag-Cu).

MAIN PWB (A side)



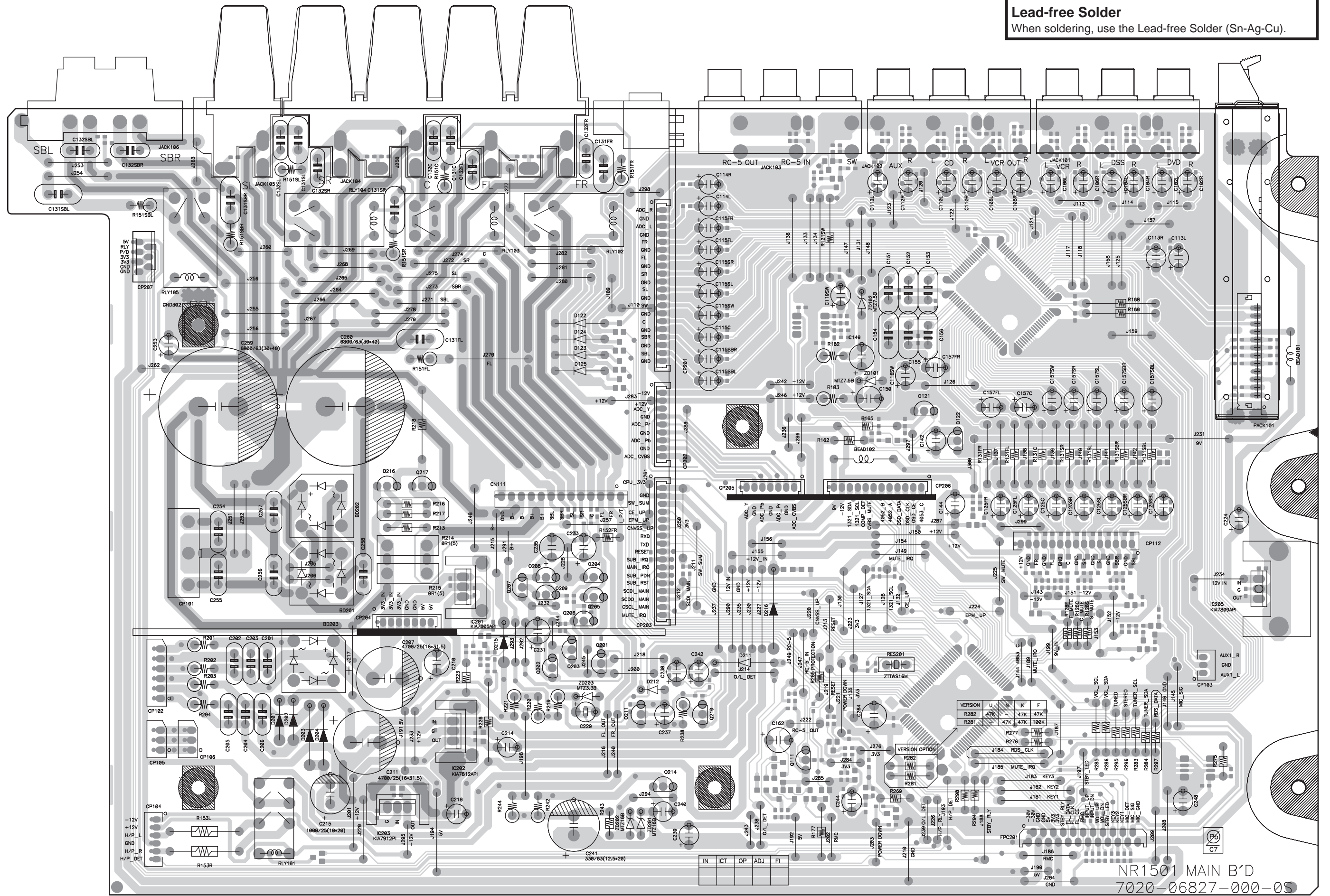
鉛フリー半田

半田付けには、鉛フリー半田 (Sn-Ag-Cu) を使用してください。

Lead-free Solder

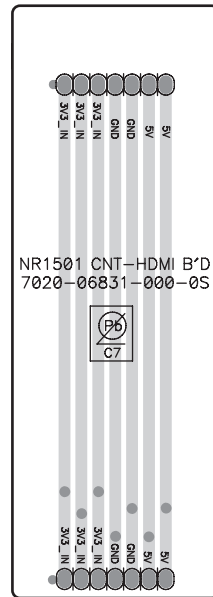
When soldering, use the Lead-free Solder (Sn-Ag-Cu).

鉛フリー半田
 半田付けには、鉛フリー半田 (Sn-Ag-Cu) を使用してください。
Lead-free Solder
 When soldering, use the Lead-free Solder (Sn-Ag-Cu).

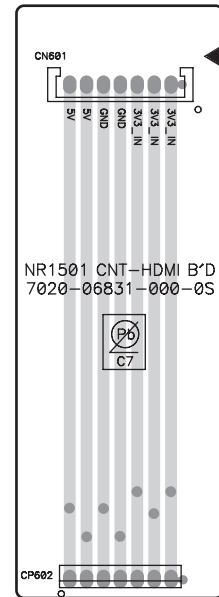


NR1501 MAIN B'D
 7020-06827-000-0S

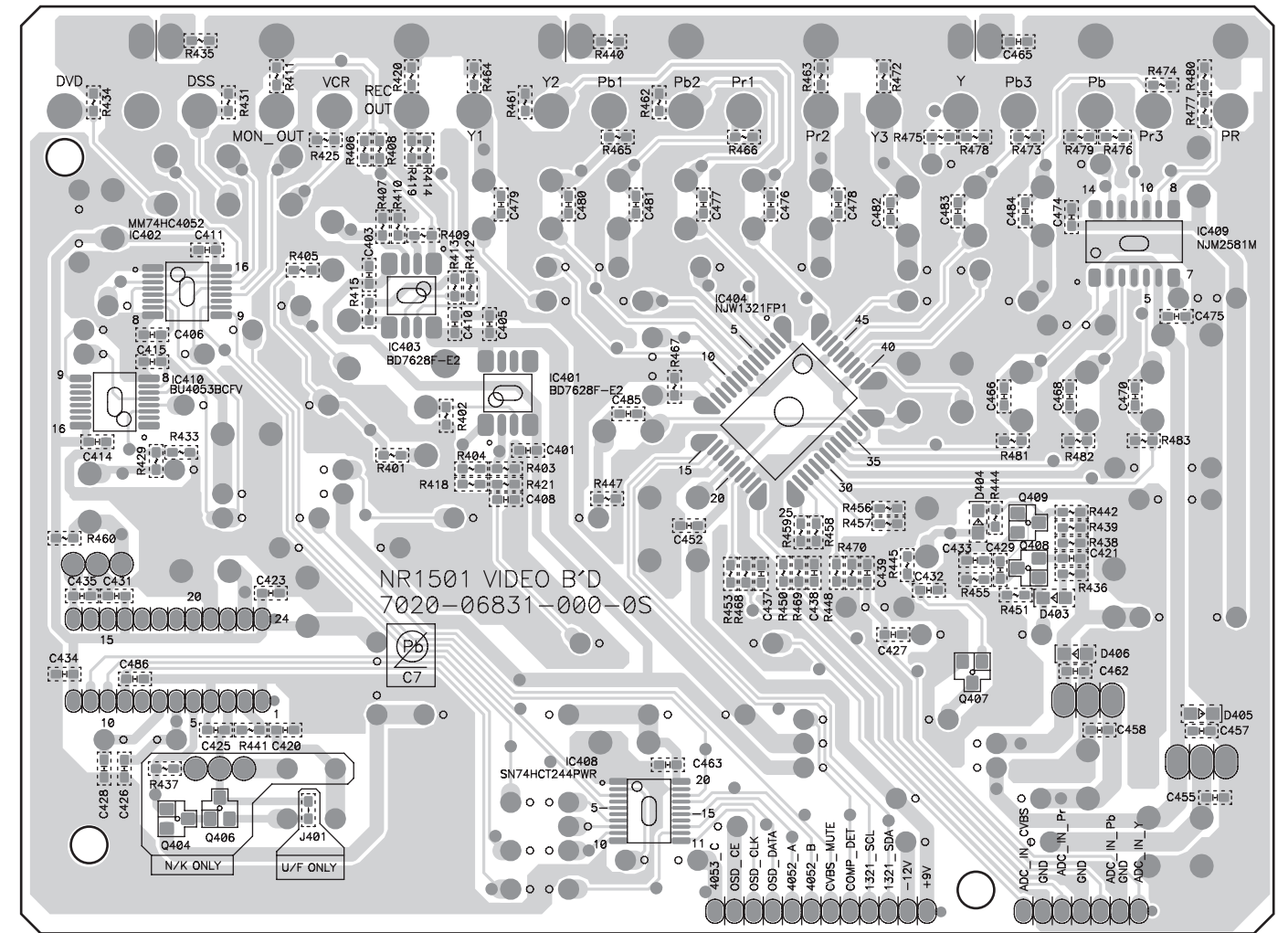
MAIN PWB (A side)



MAIN PWB (B side)

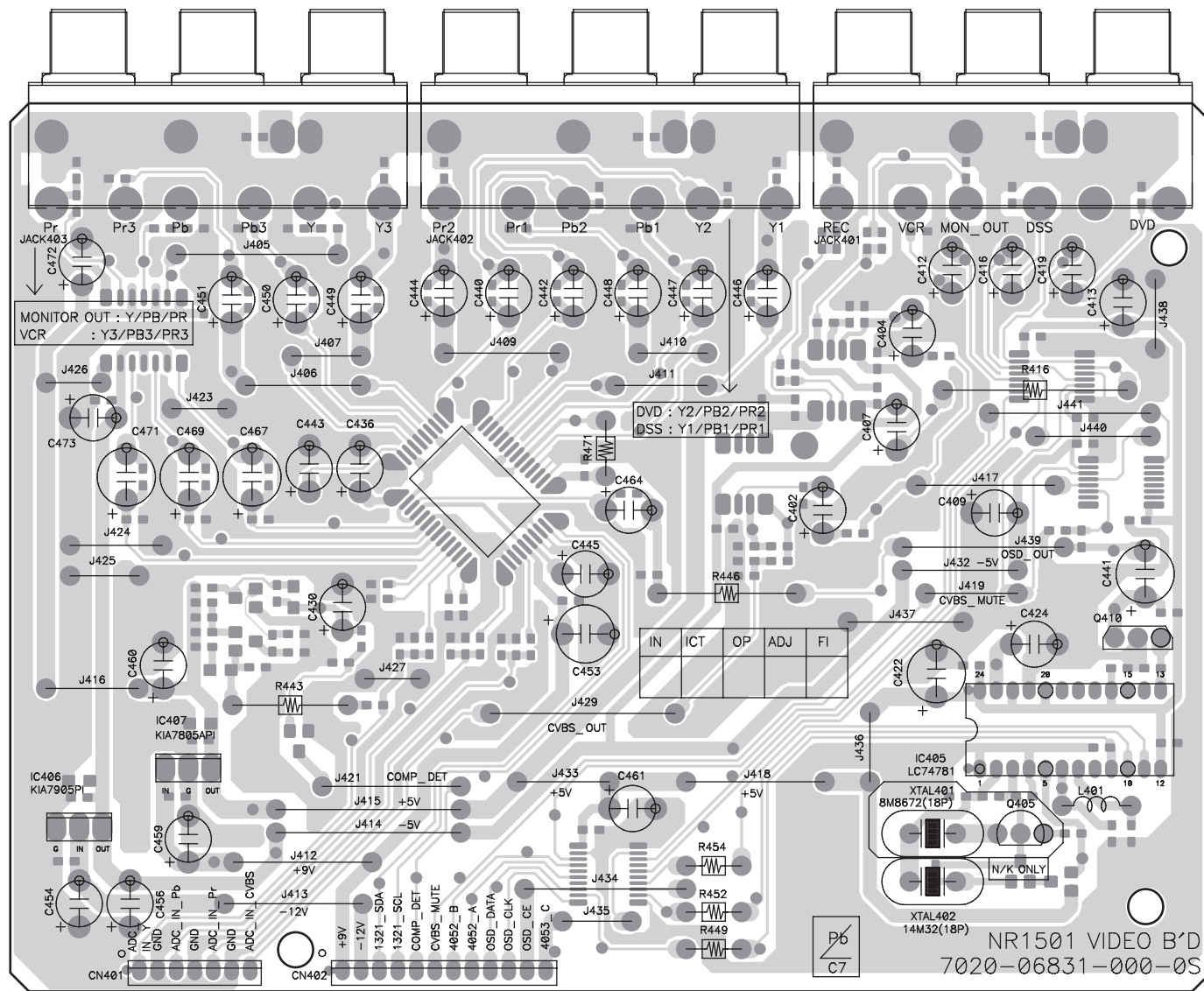


VIDEO PWB (A side)



鉛フリー半田
 半田付けには、鉛フリー半田 (Sn-Ag-Cu) を使用してください。
Lead-free Solder
 When soldering, use the Lead-free Solder (Sn-Ag-Cu).

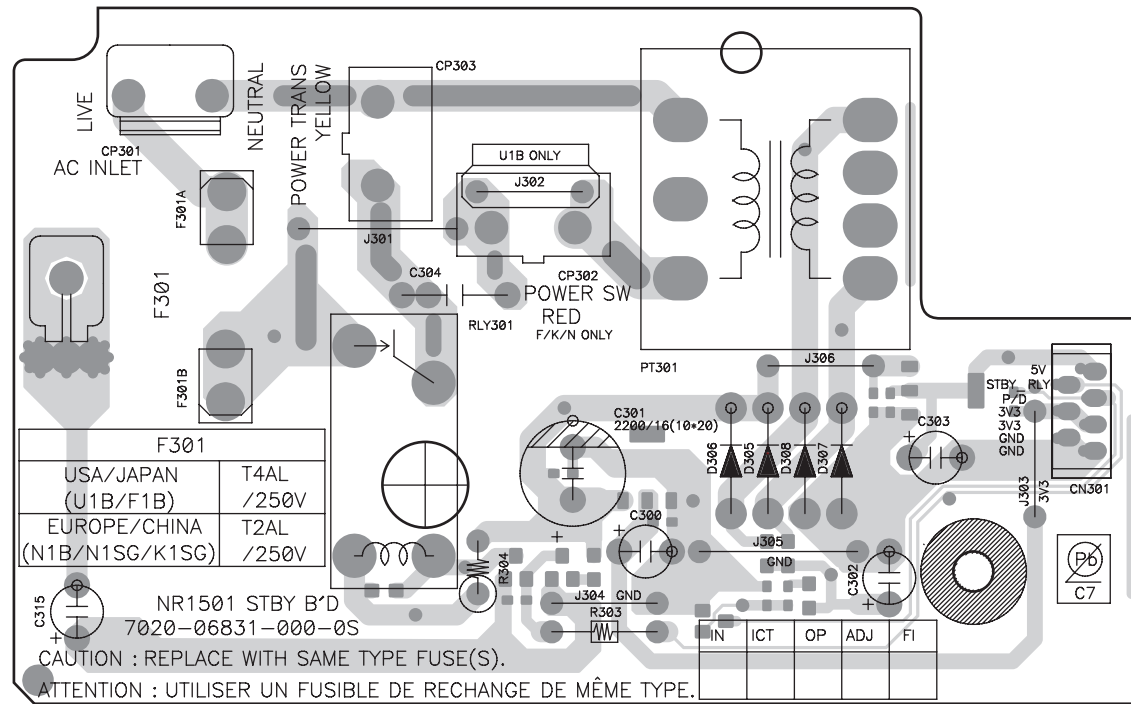
VIDEO PWB (B side)



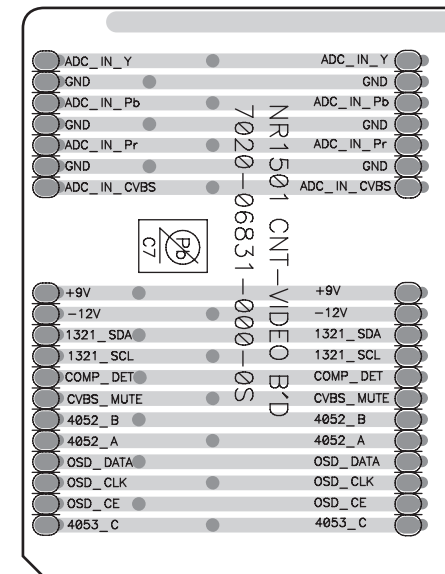
鉛フリー半田
半田付けには、鉛フリー半田 (Sn-Ag-Cu) を使用してください。

Lead-free Solder
When soldering, use the Lead-free Solder (Sn-Ag-Cu).

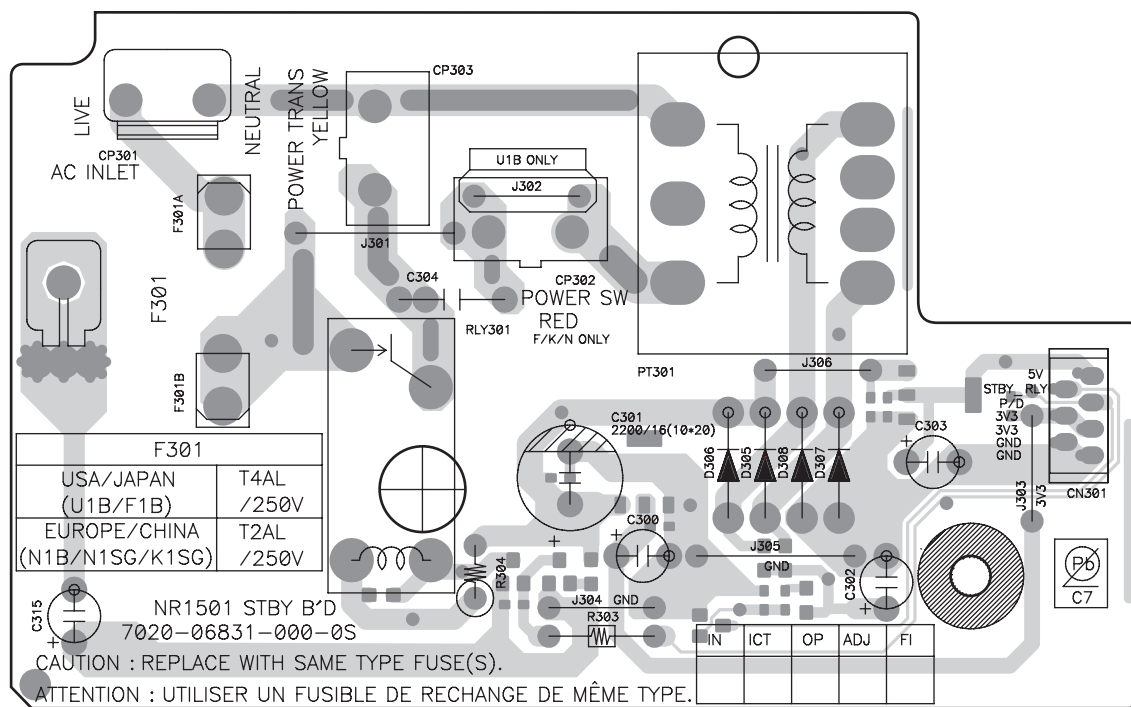
VIDEO PWB (A side)



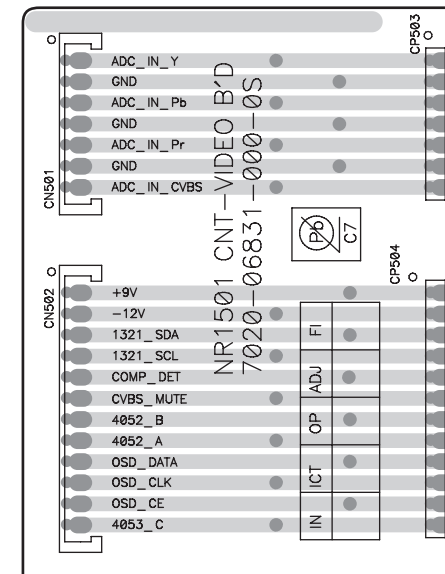
VIDEO PWB (A side)



VIDEO PWB (B side)

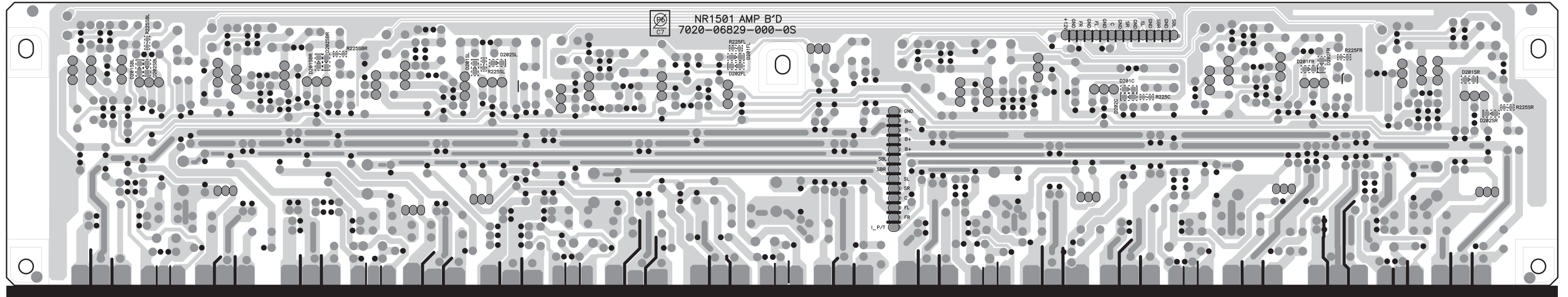


VIDEO PWB (B side)

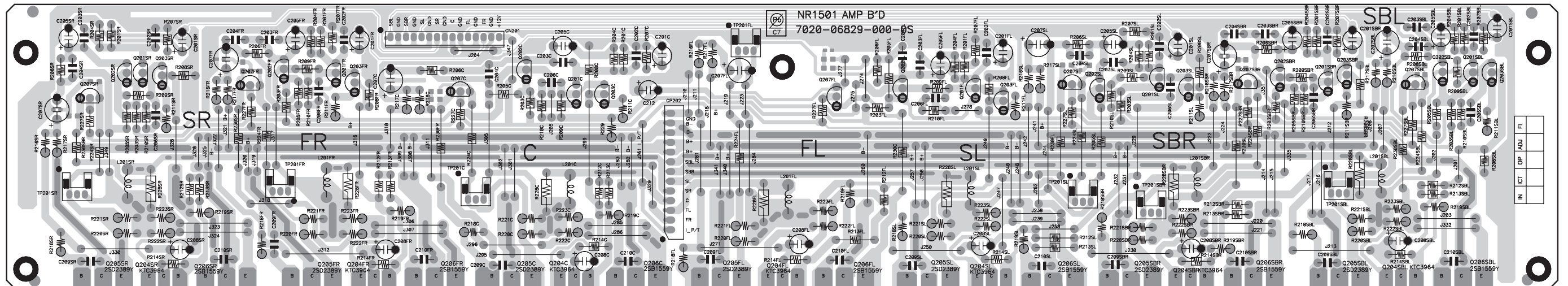


鉛フリー半田
半田付けには、鉛フリー半田 (Sn-Ag-Cu) を使用してください。
Lead-free Solder
When soldering, use the Lead-free Solder (Sn-Ag-Cu).

AMP PWB (A side)

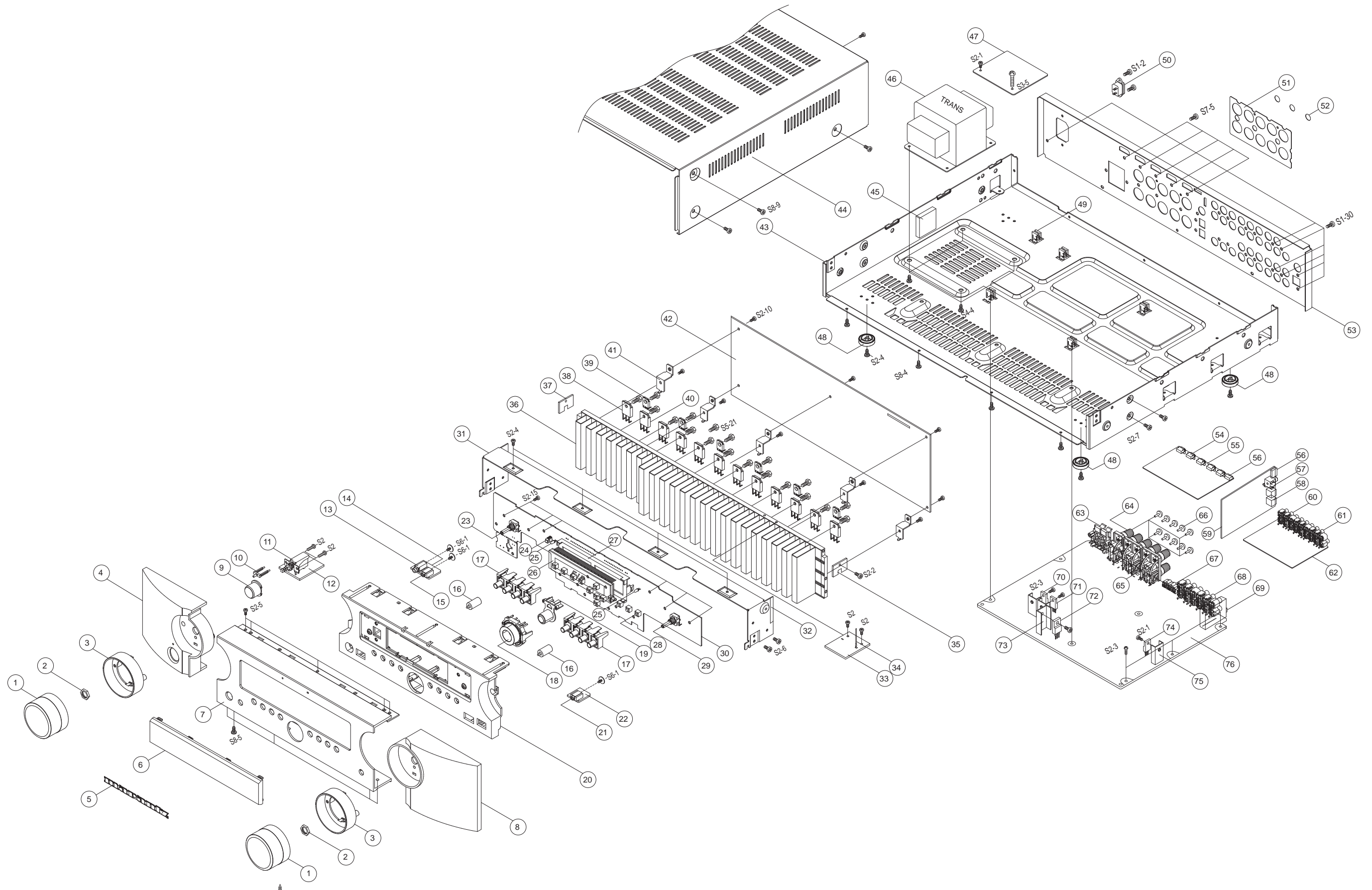


AMP PWB (B side)



鉛フリー半田
半田付けには、鉛フリー半田 (Sn-Ag-Cu) を使用してください。
Lead-free Solder
When soldering, use the Lead-free Solder (Sn-Ag-Cu).

11. EXPLODED VIEW AND PARTS LIST



POS. NO.	VERS. COLOR	PART NO. (FOR EUR)	PART NO. (MZ)	PART NAME	DESCRIPTION	
		90M46BW056010	90M46BW056010	CUSHION	SX315KUCXCN(PIONEER) PORON BLACK 2.0t A4/FOOT	4050211175000S
49		nsp	nsp	SUPPORTER	UPAF07 ABS BK/PCB	4070001601010S
		nsp	nsp	CLAMP	CABLE TIE DACT-100A	4330040343010S
▲46	N1	963101006210M	963101006210M	POWER TRANS	NR1501(N1B) 230V/50HZ 85.8*63/MAIN SEOUL	8200858630300S
▲46	U1B	nsp	963101006220M	POWER TRANS	NR1501(U1B) 120V/60HZ 85.8*63/MAIN SEOUL	8200858630310S
▲46	K1SG	nsp	963101006230M	POWER TRANS	NR1501(K1SG) 220V/50,60HZ 85.8*63/MAIN SEOUL	8200858630320S
▲46	F	nsp	963101006240M	POWER TRANS	NR1501(F1B) 100V/50,60HZ 85.8*63/MAIN SEOUL	8200858630330S
S2		nsp	nsp	SCREW,TAP TITE	+2S 3*8 B-TYPE ZNW/BH	B020030081B10S
S8	U1B	nsp	nsp	SCREW,TAP TITE	+2S 3*8 B-TYPE BK/BH	B020030083B10S
S8	N1B	nsp	nsp	SCREW,TAP TITE	+2S 3*8 B-TYPE BK/BH	B020030083B10S
S8	FB	nsp	nsp	SCREW,TAP TITE	+2S 3*8 B-TYPE BK/BH	B020030083B10S
	N1SG	nsp	nsp	SCREW,TAP TITE	+2S 3*8 B-TYPE NI/BH	B020030084B10S
	K1SG	nsp	nsp	SCREW,TAP TITE	+2S 3*8 B-TYPE NI/BH	B020030084B10S
	FN	nsp	nsp	SCREW,TAP TITE	+2S 3*8 B-TYPE NI/BH	B020030084B10S
S1		nsp	nsp	SCREW,TAP TITE	+2S 3*10 B-TYPE(DOT) BK/BH	B020030103B11S
S3		nsp	nsp	SCREW,TAP TITE	RV5106(A GROUP) SCREW 3X18 B-TYPE ZNW/BH	B020030181B10S
S7		nsp	nsp	SCREW,TAP TITE	+3S 3*8 BK/BH	B020930083B10S
PACKING						
	F	nsp	541110291013M	INSTRUCTION MANUAL	NR-1501(FB) MANUAL	5707000002660S
	N1	541110291037M	541110291037M	INSTRUCTION MANUAL	NR-1501(N1B) MANUAL	5707000002670S
	K1SG	nsp	541110291051M	INSTRUCTION MANUAL	NR-1501(K1SG) MANUAL	5707000002680S
	U1B	nsp	541110291020M	INSTRUCTION MANUAL	NR-1501(U1B) MANUAL	5707000002690S
		307010055005M	307010055005M	REMOCON	NR1501(MARANTZ) RC-006SR 69KEY BLACK	8300000600010S
▲	FN	nsp	90MZC000460R	CORD	12A/125V PSE VCTF 2C*1.25MMSQ 1.8M	L068125120030S
▲	U1B	nsp	90M-ZC000470R	CORD	13A/125V ME302/VAC17S SJT 16AWG*2C 1.8M	L068125130010S
▲	K1SG	nsp	963611004880S	CORD	10A/250V V301C/VAC17S RVV300/500 2*0.75MM 1.83M	L068250100050S
▲	N1	nsp	90M-ZC000600R	CORD	16A/250V M3204/VAC17S H05VV-F2C*1.0MM 1.8M	L068250160020S
NOT STANDARD SPARE PART						
		00M19DW801010	00M19DW801010	BOX,GIFT	NR1501FB(MARANTZ) DW(BA FLUTE)???(516*490*176)	6007211420000S
		963533005950M	963533005950M	CUSHION,SNOW	NR1501FB(MARANTZ) EPS 55 SNOW CUSHION	6230212634000S
		90M-ZA000260R	90M-ZA000260R	ANTENNA,LOOP	S0160BL-25 STAND-STRIP WIRE 9.5UH	E601016000010S
		00D9630158006	00D9630158006	ANTENNA,WIRE	ANT WIRE (FM)	E605010070001S

NOTE : "nsp" PART IS LISTED FOR REFERENCE ONLY, D&M WILL NOT SUPPLY THESE PARTS.

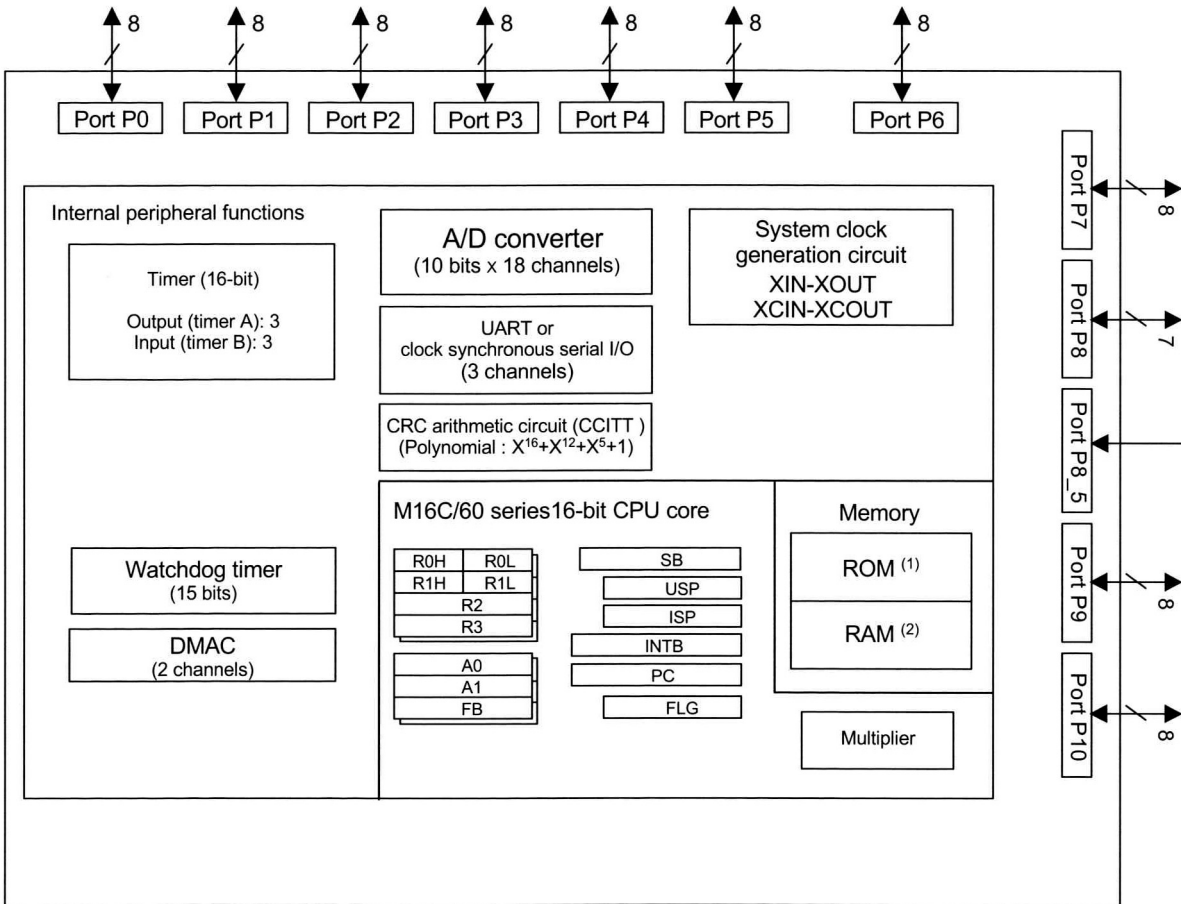
12. MICROPROCESSOR AND IC DATA

IC1401 : M3030REFPFP

Pin No.	Symbol	I/O	Description
1	NC	-	Not Used
2	NC	-	Not Used
3	NC	-	Not Used
4	NC	-	Not Used
5	NC	-	Not Used
6	NC	-	Not Used
7	NC	-	Not Used
8	BYTE	I	The data bus is 16 bits long when the this pin is held "L"
9	CNVSS_UP	I	Switches processor mode
10	NC	-	Not Used
11	NC	-	Not Used
12	SUB_RESET	I	Input for Sub CPU reset
13	XOUT	O	Output for clock oscillation
14	CPU_GND		Vss
15	XIN	I	Input for clock oscillation
16	VCC1		VCC 3.3V
17	NC	-	Not Used
18	SUB_IRQ	O	Interrupt output for Interrupt Request to Main CPU
19	MAIN_IRQ	I	Interrupt input for Interrupt Request from Main CPU
20	SUB_PDN	I	Interrupt input for power down signal from Main CPU
21	NC	-	Not Used
22	NC	-	Not Used
23	NC	-	Not Used
24	NC	-	Not Used
25	NC	-	Not Used
26	1021_ON	O	Input for switching of AOZ1021 ON/OFF (active at H)
27	MUTE_IRQ	O	Interrupt output to mute audio signal
28	CCLK_MAIN	I	Clock signal input from Main CPU
29	SCDO_MAIN	I	Data signal input from Main CPU
30	SDCI_MAIN	O	Data signal output to Main CPU
31	TXD	O	Output for Upgrade (UART)
32	RXD	I	Input for Upgrade (UART)
33	NC	-	Not Used
34	NC	-	Not Used
35	NC	-	Not Used
36	NC	-	Not Used
37	NC	-	Not Used
38	NC	-	Not Used
39	NC	-	Not Used
40	NC	-	Not Used
41	EPM_UP	I	UP GRADE
42	NC	-	Not Used
43	NC	-	Not Used
44	NC	-	Not Used
45	NC	-	Not Used
46	CE_UP	I	UP GRADE
47	NC	-	Not Used
48	NC	-	Not Used
49	NC	-	Not Used
50	NC	-	Not Used
51	NC	-	Not Used
52	NC	-	Not Used
53	NC	-	Not Used

54	NC	-	Not Used
55	NC	-	Not Used
56	NC	-	Not Used
57	NC	-	Not Used
58	NC	-	Not Used
59	DSP_HS2	O	Output for DSP operational mode selection
60	257_CTL	O	Output for switching signal and clock between DIR and HDMI
61	NC	-	Not Used
62	VCC2		VCC 3.3V
63	NC	-	Not Used
64	VSS		GND
65	NC	-	Not Used
66	NC	-	Not Used
67	DSP_MISO	I	Input for DSP data signal
68	DSP_MOSI	O	Output for DSP data signal
69	DSP_SCLK	O	Output for DSP clock signal
70	DSP_CE	O	Output for DSP Chip Select (active at L)
71	DSP_RST	O	Output for DSP reset
72	DSP_IRQ	I	Input for DSP data ready interrupt request output (active at L)
73	DSP_BSY	I	Input for DSP Input Busy (active at L)
74	4588_INT0	I	Interrupt input from AK4588
75	4588_INT1	I	Interrupt input from AK4588
76	455_CDTO	I	Input for AK4588 control data
77	4588_CCLK	O	Input for AK4588 clock signal
78	4588_CDTI	O	Output for AK4588 control data
79	4588_CS	O	Output for AK4588 Chip Select
80	4588_PDN	O	Output for AK4588 Power Down
81	7401_RST	I	Output for ADV7401 Reset
82	7401_SCK	O	Output for ADV7401 clock signal (I2C)
83	7401_SDA	I/O	Input & output for ADV7401 control data (I2C)
84	MUTEOUT	I	Input to mute audio output
85	HR_SCDT	I	Input to indicate Active Video at HDMI Input port
86	HR_RST	O	Output for SiI9233 Reset
87	HR_INT	I	Input for SiI9233 Interrupt
88	HT_RST	O	Output for SiI9134 Reset
89	HT_INT	I	Input for SiI9134 Interrupt
90	HDMI_SDA	I/O	Input & output for SiI9233 & SiI9134 control data (I2C)
91	HDMI_SCL	O	Output for SiI9233 & SiI9134 clock signal (I2C)
92	NC	-	Not Used
93	NC	-	Not Used
94	NC	-	Not Used
95	NC	-	Not Used
96	AVSS		GND
97	NC	-	Not Used
98	VREF		VCC 3V3
99	AVCC		VCC 3V3
100	NC	-	Not Used

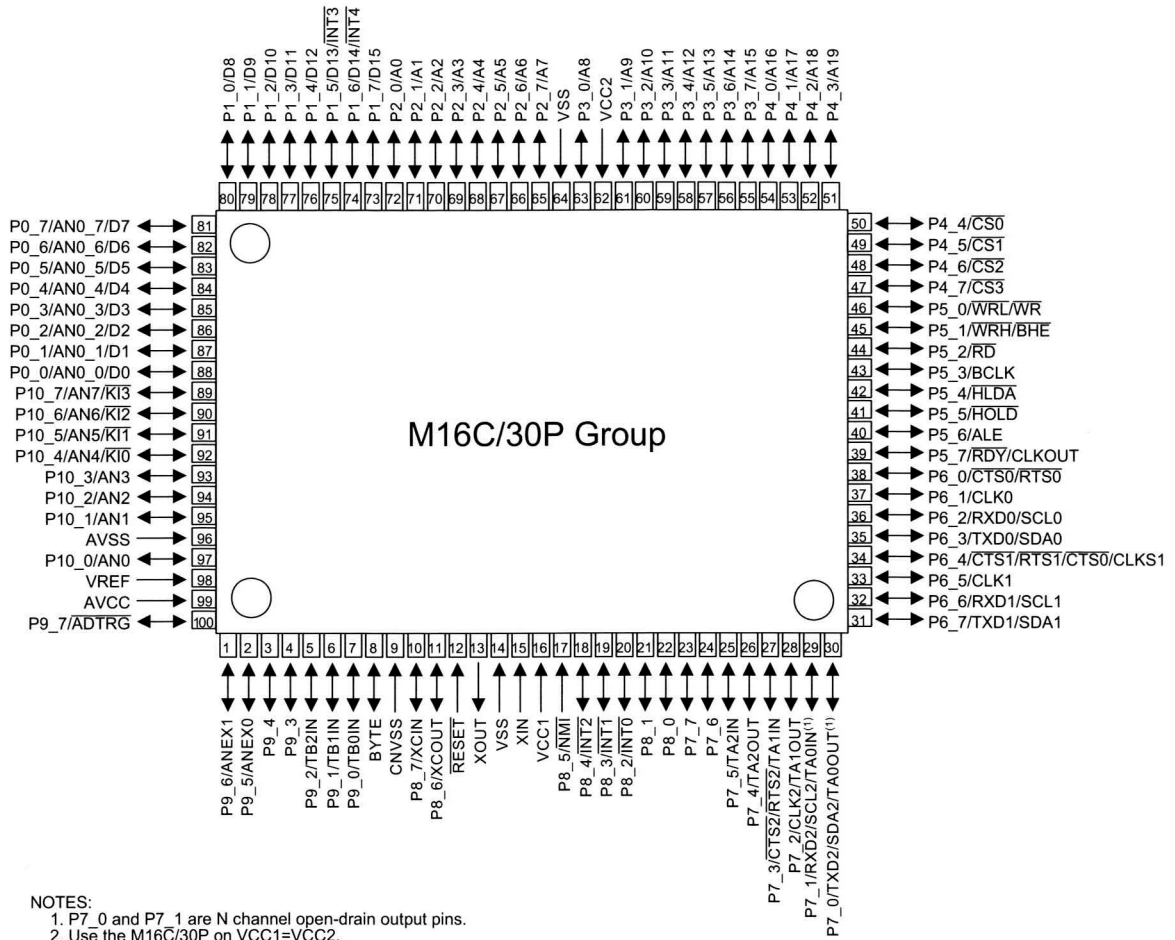
Block Diagram



NOTES :

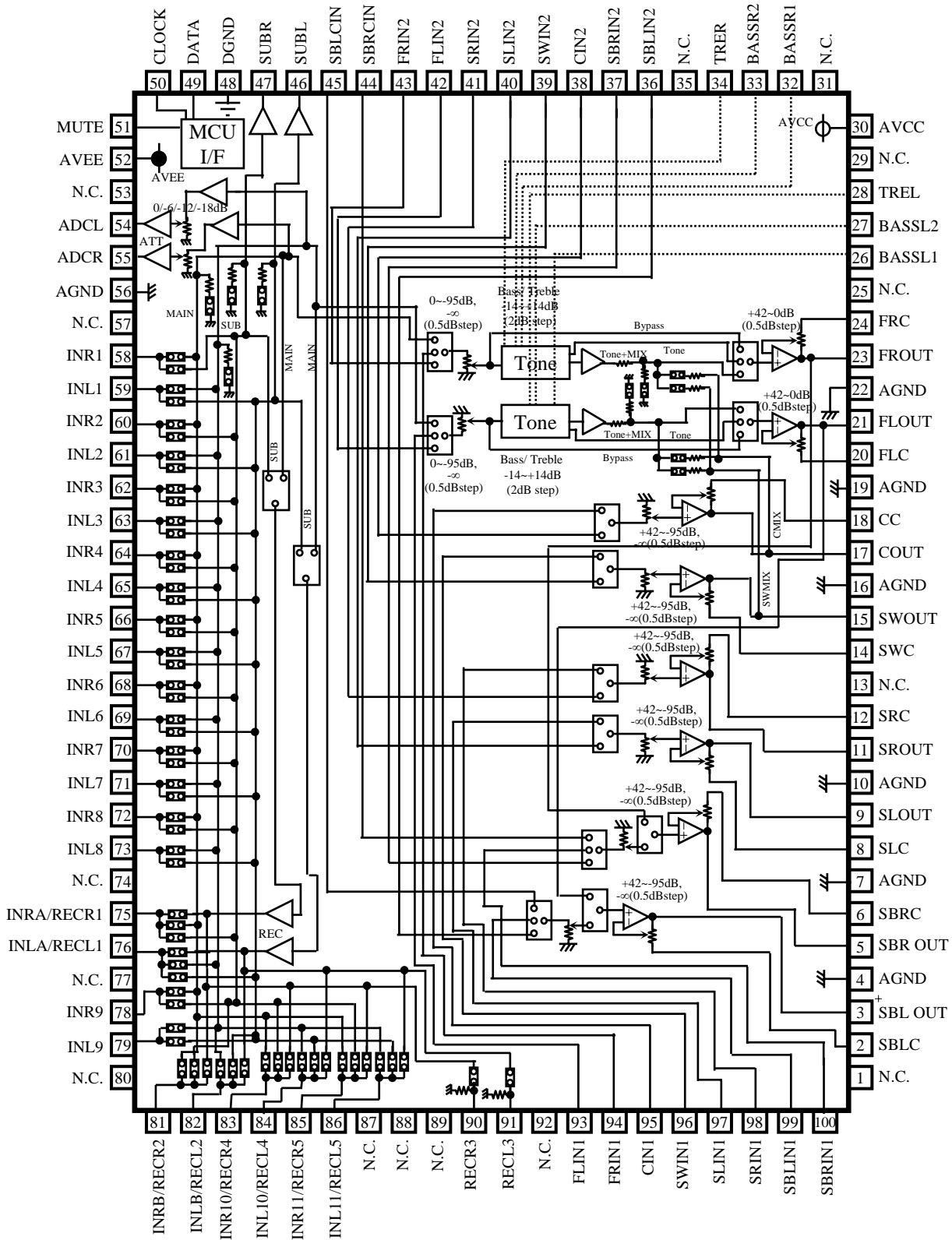
1. ROM size depends on microcomputer type.
2. RAM size depends on microcomputer type.

Pin Configuration



Package : PRQP0100JB-A (100P6S-A)

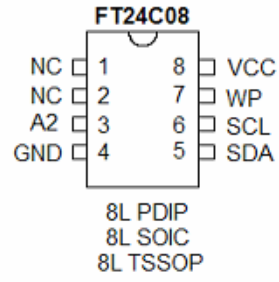
BLOCKDIAGRAM AND PIN CONFIGURATION(TOP VIEW)



PIN DESCRIPTION

PIN No.	Name	Function
23,21, 17,15, 11,9, 5,3	FROUT,FLOUT, COUT,SWOUT, SROUT, SLOUT, SBROUT,SBLOUT	Output pin of FL/FR/C/SW/SL/SR/SBL/SBR channel
24,20, 18,14, 12,8, 6,2	FRC,FLC, CC,SWC, SRC,SLC, SBRC,SBLC	Connects capacitor for reducing click noise of L/R/C/SW/SL/SR/SBL/SBR channel volume
4,7,10,16, 19,22,56	AGND	Analog ground of internal circuit
28,34	TREL, TRER	Frequency characteristic setting pin of L/R channel tone control (Treble)
26,27, 32,33	BASSL1,BASSL2 BASSR1,BASSR2	Frequency characteristic setting pin of L/R channel tone control (Bass)
30	AVCC	Positive power supply to internal circuit
43,42, 41,40, 39,38, 37,36	FRIN2, FLIN2, SRN2,SLIN2, SWIN2,CIN2, SBRIN2,SBLIN2	Input pin of L/R/C/SW/SL/SR/SBL/SBR channel (Multi IN 1/2)
93,94, 95,96, 97,98, 99,100	FLIN1, FRIN1, CIN1,SWIN1, SLIN1,SRIN1, SBLIN1,SBRIN1	
48	DGND	Digital ground of internal circuit
49	DATA	Input pin of control data
50	CLOCK	Input pin of control clock
52	AVEE	Negative power supply to internal circuit
59,61,63, 65,67,69, 71,73,79	INL1,INL2, INL3, INL4,INL5,INL6, INL7,INL8,INL9	Input pin of L/R channel (Input Selector)
58,60,62, 64,66,68, 70,72,78	INR1,INR2, INR3, INR4,INR5,INR6, INR7,INR8,INR9	
51	MUTE	Outside Mute Control PIN
44,45	SBRCIN,SBLCIN	Input pin for SBL/SBR channel Volume
46,47	SUBL,SUBR	Output pin for L/R channel SUB Output
54,55	ADCL, ADCR	Output pin for L/R channel ADC
90,91	RECR3,RECL3	Output pin for L/R channel REC Output
75,76, 81,82, 83,84, 85,86	INRA/RECR1,INLA/RECL1, INRB/RECR2,INLB/RECL2, INR10/RECR4,INL10/RECL4, INR11/RECR5,INL11/RECL5	Input pin of L/R channel (Input Selector)/ Output pin for L/R channel REC Output
1,13,25,29,31, 35,53, 57,74,77,80, 87,88,89,92	N.C.	No Connected PIN

IC103 : FT24C08

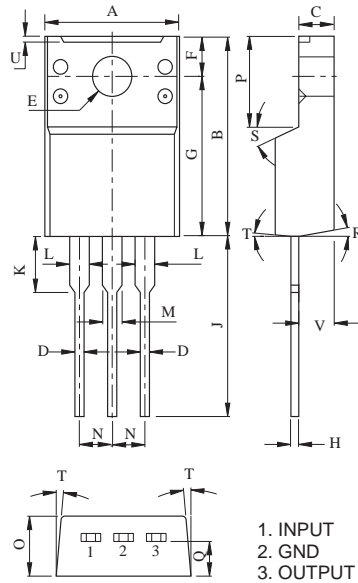


IC201, IC407 : KIA7805API

IC202 : KIA7812API

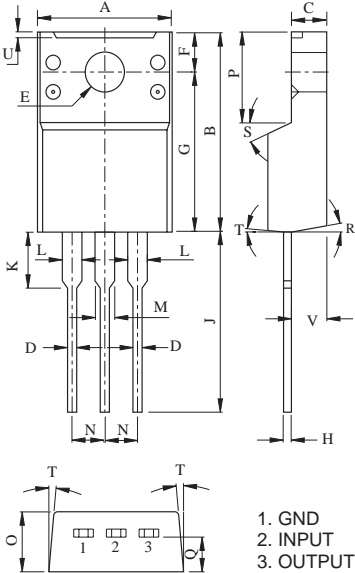
IC205 : KIA7809API

ITEM	OUTPUT VOLTAGE (Typ.)	UNIT
KIA7812AF/API	12	API : TO-220IS

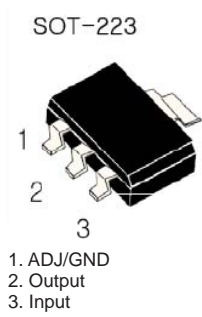


IC406 : KIA7905PI

ITEM	OUTPUT VOLTAGE (Typ.)	UNIT
KIA7905F/PI	-5	PI : TO-220IS



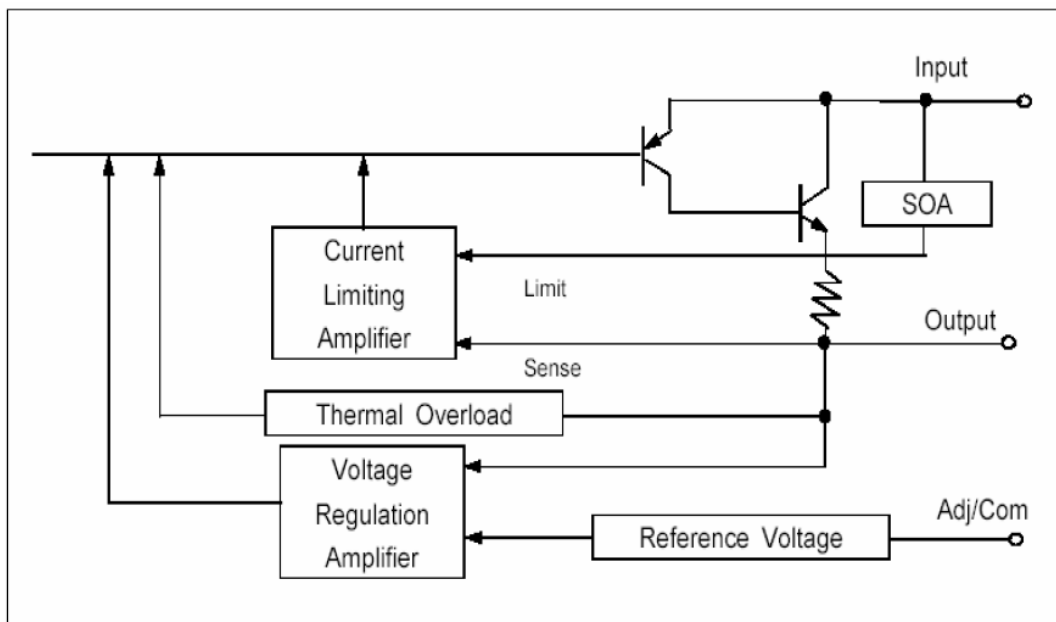
IC1004 : IL1117_1.2
 IC1005, IC1302, IC1606 : IL1117_1.8
 IC1502, IC1601 : IL1117_3.3

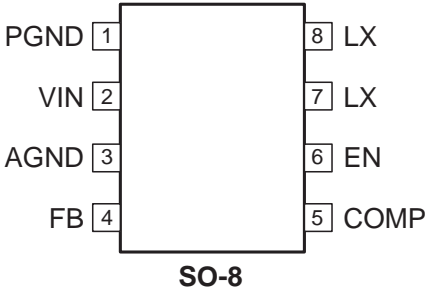


Pin#2 Connected with heat sink

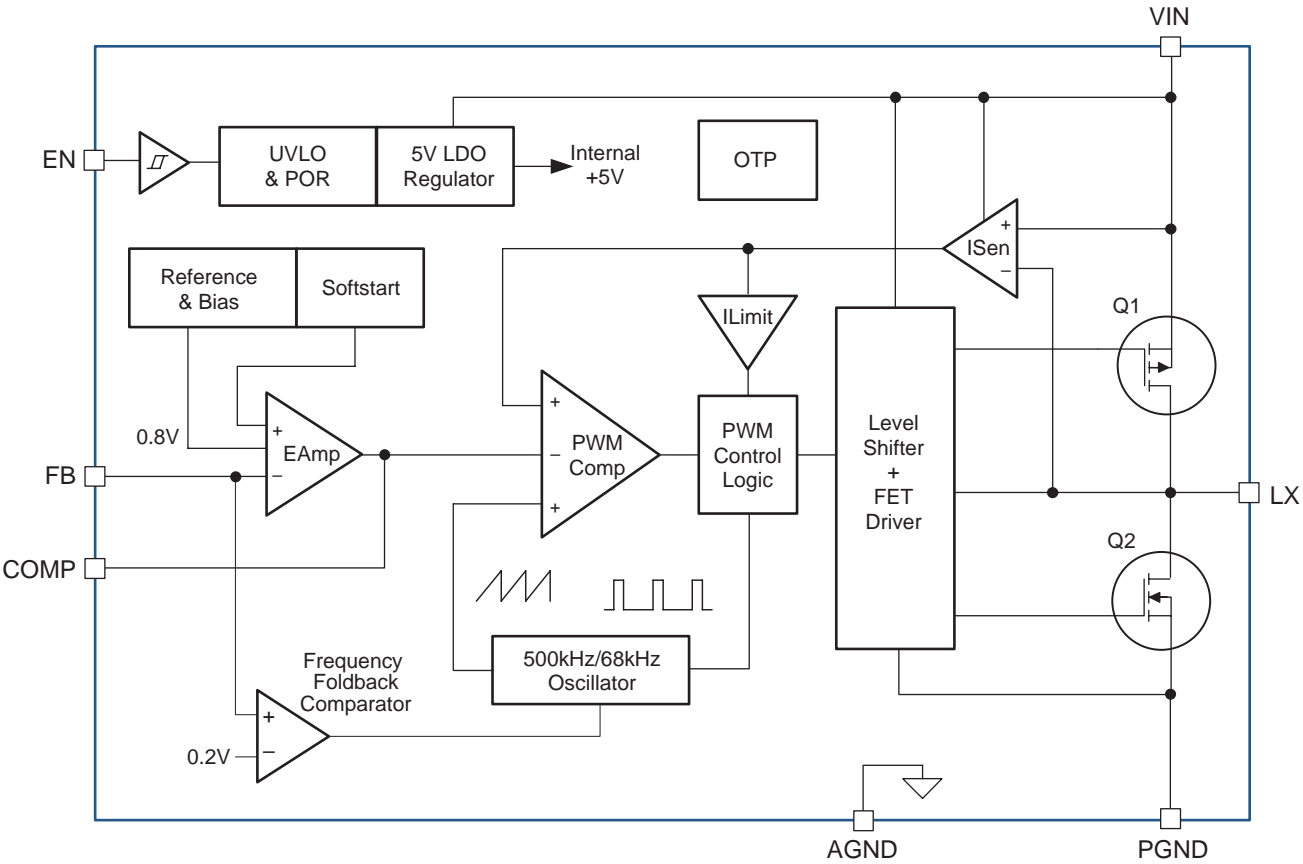
PARAMETER	CONDITIONS	MIN	TYP	MAX	UNIT
OUTPUT VOLTAGE					
IL1117-1.2	$I_o = 10\text{mA to } 1.0\text{A}$, $V_{in} = 2.7 \text{ to } 12.0\text{v}$	1.176	1.200	1.224	V
IL1117-1.8	$I_o = 10\text{mA to } 1.0\text{A}$, $V_{in} = 3.3 \text{ to } 12.0\text{v}$	1.764	1.800	1.836	
IL1117-3.3	$I_o = 10\text{mA to } 1.0\text{A}$, $V_{in} = 4.8 \text{ to } 12.0\text{v}$	3.240	3.300	3.360	

Block Diagram

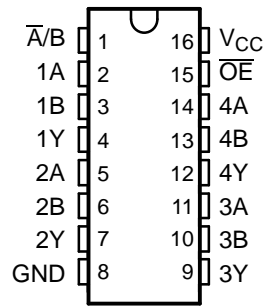




Block Diagram



IC1602 : SN74LVC257APWR



FUNCTION TABLE

INPUTS				OUTPUT Y
\overline{OE}	$\overline{A/B}$	A	B	
H	X	X	X	Z
L	L	L	X	L
L	L	H	X	H
L	H	X	L	L
L	H	X	H	H

13. ELECTRICAL PARTS LIST

PARTS INFORMATION

RESISTORS

- 1) 00MGD05 × × × 140, Carbon film fixed resistor, ±5% 1/4W
- 2) 00MGD05 × × × 160, Carbon film fixed resistor, ±5% 1/6W

① — Resistance value

Examples ;

① Resistance value

0.1Ω.....001	10Ω.....100	1kΩ.....102	100kΩ.....104
0.5Ω.....005	18Ω.....180	2.7kΩ.....272	680kΩ.....684
1Ω.....010	100Ω.....101	10kΩ.....103	1MΩ.....105
6.8Ω.....068	390Ω.....391	22kΩ.....223	4.7MΩ.....475

Note : Please distinguish 1/4W from 1/6W by the shape of parts used actually.

CAPACITORS

CERAMIC CAP.

- 3) 00MDD1 × × × × 370, Ceramic capacitor
Disc type
Temp.coeff.P350 ~ N1000, 50V
- ② — Capacity value
③ — Tolerance

Examples ;

- ② Tolerance (Capacity deviation)
- ±0.25pF..... 0
 - ±0.5pF..... 1
 - ±5%..... 5

* Tolerance of COMMON PARTS handled here are as follows :

- 0.5pF ~ 5pF.....±0.25pF
- 6pF ~ 10pF.....±0.5pF
- 12pF ~ 560pF.....±5%

③ Capacity value

0.5pF.....005	3pF.....030	100pF.....101
1pF.....010	10pF.....100	220pF.....221
1.5pF.....015	47pF.....470	560pF.....561

CERAMIC CAP.

- 4) 00MDK16 × × × 300, High dielectric constant ceramic capacitor
Disc type
Temp.chara. 2B4, 50V
- ④ — Capacity value

Examples ;

④ Capacity value

100pF.....101	1000pF.....102	10000pF.....103
470pF.....471	2200pF.....222	

ELECTROLY CAP. ($\frac{\text{Z}}{\text{Z}}$)

- 5) 00MEA × × × × × × 10, Electrolytic capacitor
One-way lead type, Tolerance ±20%
- ⑤ — Working voltage
⑥ — Capacity value

Examples ;

⑤ Capacity value

0.1μF.....104	4.7μF.....475	100μF ... 107
0.33μF.....334	10μF.....106	330μF ... 337
1μF.....105	22μF.....226	1100μF ... 118
		2200μF ... 228

⑥ Working voltage

6.3V.....006	25V.....025
10V.....010	35V.....035
16V.....016	50V.....050

FILM CAP. ($\frac{\text{Z}}{\text{Z}}$)

- 6) 00MDF15 × × × 350, Plastic film capacitor
One-way type, Mylar ±5% 50V
 - 00MDF15 × × × 310, Plastic film capacitor
One-way type, Mylar ±10% 50V
 - 00MDF16 × × × 310, Plastic film capacitor
One-way type, Mylar ±10% 50V
- ⑦ — Capacity value

Examples ;

⑦ Capacity value

0.001μF (1000pF).....102	0.1μF 104
0.0018μF.....182	0.56μF 564
0.01μF.....103	1μF 105
0.015μF.....153	

NOTE ON SAFETY FOR FUSIBLE RESISTOR :

The suppliers and their type numbers of fusible resistors are as follows;

1. KOA Corporation

Part No. (MJI)	Type No. (KOA)	Description
00MNH05 × × × 140	RF25S × × × × ΩJ	(±5% 1/4W)
00MNH05 × × × 120	RF50S × × × × ΩJ	(±5% 1/2W)
00MNH85 × × × 110	RF73B2A × × × × ΩJ	(±5% 1/10W)
00MNH95 × × × 140	RF73B2E × × × × ΩJ	(±5% 1/4W)

* Resistance value (0.1 – 10kΩ)

2. Matsushita Electronic Components Co., Ltd

Part No. (MJI)	Type No. (MEC)	Description
00MNF05 × × × 140	ERD-2FCJ × × × ×	(±5% 1/4W)
00MRF05 × × × 140		
00MNF02 × × × 140	ERD-2FCG × × × ×	(±2% 1/4W)
00MRF02 × × × 140		

* Resistance value

Examples ;

* Resistance value

0.1Ω.....001	10Ω.....100	1kΩ.....102	100kΩ.....104
0.5Ω.....005	18Ω.....180	2.7kΩ.....272	680kΩ.....684
1Ω.....010	100Ω.....101	10kΩ.....103	1MΩ.....105
6.8Ω.....068	390Ω.....391	22kΩ.....223	4.7MΩ.....475

ABBREVIATION AND MARKS

ANT. : ANTENNA	BATT. : BATTERY
CAP. : CAPACITOR	CER. : CERAMIC
CONN. : CONNECTING	DIG. : DIGITAL
HP : HEADPHONE	MIC. : MICROPHONE
μ-PRO : MICROPROCESSOR	REC. : RECORDING
RES. : RESISTOR	SPK : SPEAKER
SW : SWITCH	TRANSF. : TRANSFORMER
TRIM. : TRIMMING	TRS. : TRAMSISTOR
VAR. : VARIABLE	X'TAL : CRYSTAL

NOTE ON FUSE :

Regarding to all parts of parts code **00MFS20xxx2xx**, replace only with Wickmann-Werke GmbH, Type 372 non glass type fuse.

NOTE ON SAFETY :

Symbol \triangle Fire or electrical shock hazard. Only original parts should be used to replaced any part marked with symbol \triangle . Any other component substitution (other than original type), may increase risk of fire or electrical shock hazard.

安全上の注意 :

\triangle がついている部品は、安全上重要な部品です。必ず指定されている部品番号の部品を使用して下さい。

060522 MZ

P.C.B. NAME	POS. NO.	VERS. COLOR	PART NO. (FOR EUR)	PART NO. (MZ)	PART NAME	DESCRIPTION
AMP PWB(7020-06829-000-0S)						
AMP PCB	42		nsp	nsp	P.C.B SUB ASSY	NR1501FB(MARANTZ)/AMP 7028068291010
AMP PCB	*	F	nsp	nsp	P.C.B TOTAL ASSY	NR1501FB(MARANTZ)/AMP 7025HK0819012
AMP PCB	*	N1	nsp	nsp	P.C.B TOTAL ASSY	NR1501N1B(MARANTZ)/AMP 7025HK0819022
AMP PCB	*	K1SG	nsp	nsp	P.C.B TOTAL ASSY	NR1501K1SG(MARANTZ)/AMP 7025HK0819042
AMP PCB	*	U1B	nsp	nsp	P.C.B TOTAL ASSY	NR1501U1B(MARANTZ)/AMP 7025HK0819052
AMP PCB	*		nsp	nsp	P.C.B INS ASSY	NR1501FB(MARANTZ)/AMP-AXIAL 7027068291A10
AMP PCB	*		nsp	nsp	P.C.B INS ASSY	NR1501FB(MARANTZ)/AMP-MANUAL 7027068291M10
AMP PCB	*		nsp	nsp	P.C.B INS ASSY	NR1501FB(MARANTZ)/AMP-RADIAL 7027068291R10
AMP PCB	*		nsp	nsp	P.C.B INS ASSY	NR1501FB(MARANTZ)/AMP-SMD 7027068291S10
AMP PCB	C201C		00MOA10605020	00MOA10605020	C,ELECT GE 85C	10UF-M/50V,5*11-5RE.SY D040100087070S
AMP PCB	C201FL		00MOA10605020	00MOA10605020	C,ELECT GE 85C	10UF-M/50V,5*11-5RE.SY D040100087070S
AMP PCB	C201FR		00MOA10605020	00MOA10605020	C,ELECT GE 85C	10UF-M/50V,5*11-5RE.SY D040100087070S
AMP PCB	C201SBL		00MOA10605020	00MOA10605020	C,ELECT GE 85C	10UF-M/50V,5*11-5RE.SY D040100087070S
AMP PCB	C201SBR		00MOA10605020	00MOA10605020	C,ELECT GE 85C	10UF-M/50V,5*11-5RE.SY D040100087070S
AMP PCB	C201SL		00MOA10605020	00MOA10605020	C,ELECT GE 85C	10UF-M/50V,5*11-5RE.SY D040100087070S
AMP PCB	C201SR		00MOA10605020	00MOA10605020	C,ELECT GE 85C	10UF-M/50V,5*11-5RE.SY D040100087070S
AMP PCB	C202C		nsp	nsp	C,CERAMIC HIK DISC	SL220PF-J/50V-5RE D004221067060S
AMP PCB	C202FL		nsp	nsp	C,CERAMIC HIK DISC	SL220PF-J/50V-5RE D004221067060S
AMP PCB	C202FR		nsp	nsp	C,CERAMIC HIK DISC	SL220PF-J/50V-5RE D004221067060S
AMP PCB	C202SBL		nsp	nsp	C,CERAMIC HIK DISC	SL220PF-J/50V-5RE D004221067060S
AMP PCB	C202SBR		nsp	nsp	C,CERAMIC HIK DISC	SL220PF-J/50V-5RE D004221067060S
AMP PCB	C202SL		nsp	nsp	C,CERAMIC HIK DISC	SL220PF-J/50V-5RE D004221067060S
AMP PCB	C202SR		nsp	nsp	C,CERAMIC HIK DISC	SL220PF-J/50V-5RE D004221067060S
AMP PCB	C203C		00D9630367101	00D9630367101	C,CERAMIC HIK DISC	SL220PF-J/500V-5RE D00422106D05CS
AMP PCB	C203FL		00D9630367101	00D9630367101	C,CERAMIC HIK DISC	SL220PF-J/500V-5RE D00422106D05CS
AMP PCB	C203FR		00D9630367101	00D9630367101	C,CERAMIC HIK DISC	SL220PF-J/500V-5RE D00422106D05CS
AMP PCB	C203SBL		00D9630367101	00D9630367101	C,CERAMIC HIK DISC	SL220PF-J/500V-5RE D00422106D05CS
AMP PCB	C203SBR		00D9630367101	00D9630367101	C,CERAMIC HIK DISC	SL220PF-J/500V-5RE D00422106D05CS
AMP PCB	C203SL		00D9630367101	00D9630367101	C,CERAMIC HIK DISC	SL220PF-J/500V-5RE D00422106D05CS
AMP PCB	C203SR		00D9630367101	00D9630367101	C,CERAMIC HIK DISC	SL220PF-J/500V-5RE D00422106D05CS
AMP PCB	C204C		00D9630216100	00D9630216100	C,CERAMIC T.C DISC	SL33PF-J/500V-5RE D00033006D050S
AMP PCB	C204FL		00D9630216100	00D9630216100	C,CERAMIC T.C DISC	SL33PF-J/500V-5RE D00033006D050S
AMP PCB	C204FR		00D9630216100	00D9630216100	C,CERAMIC T.C DISC	SL33PF-J/500V-5RE D00033006D050S
AMP PCB	C204SBL		00D9630216100	00D9630216100	C,CERAMIC T.C DISC	SL33PF-J/500V-5RE D00033006D050S
AMP PCB	C204SBR		00D9630216100	00D9630216100	C,CERAMIC T.C DISC	SL33PF-J/500V-5RE D00033006D050S
AMP PCB	C204SL		00D9630216100	00D9630216100	C,CERAMIC T.C DISC	SL33PF-J/500V-5RE D00033006D050S
AMP PCB	C204SR		00D9630216100	00D9630216100	C,CERAMIC T.C DISC	SL33PF-J/500V-5RE D00033006D050S
AMP PCB	C205C		00MOA10701020	00MOA10701020	C,ELECT GE 85C	100UF-M/10V,5*11-5RE SY (Pb Free) D040101082090S
AMP PCB	C205FL		00MOA10701020	00MOA10701020	C,ELECT GE 85C	100UF-M/10V,5*11-5RE SY (Pb Free) D040101082090S
AMP PCB	C205FR		00MOA10701020	00MOA10701020	C,ELECT GE 85C	100UF-M/10V,5*11-5RE SY (Pb Free) D040101082090S
AMP PCB	C205SBL		00MOA10701020	00MOA10701020	C,ELECT GE 85C	100UF-M/10V,5*11-5RE SY (Pb Free) D040101082090S
AMP PCB	C205SBR		00MOA10701020	00MOA10701020	C,ELECT GE 85C	100UF-M/10V,5*11-5RE SY (Pb Free) D040101082090S
AMP PCB	C205SL		00MOA10701020	00MOA10701020	C,ELECT GE 85C	100UF-M/10V,5*11-5RE SY (Pb Free) D040101082090S
AMP PCB	C205SR		00MOA10701020	00MOA10701020	C,ELECT GE 85C	100UF-M/10V,5*11-5RE SY (Pb Free) D040101082090S
AMP PCB	C206C		nsp	nsp	C,CERAMIC HIK DISC	B0.001UF-K/50V-5RE D004102277050S
AMP PCB	C206FL		nsp	nsp	C,CERAMIC HIK DISC	B0.001UF-K/50V-5RE D004102277050S
AMP PCB	C206FR		nsp	nsp	C,CERAMIC HIK DISC	B0.001UF-K/50V-5RE D004102277050S
AMP PCB	C206SBL		nsp	nsp	C,CERAMIC HIK DISC	B0.001UF-K/50V-5RE D004102277050S
AMP PCB	C206SBR		nsp	nsp	C,CERAMIC HIK DISC	B0.001UF-K/50V-5RE D004102277050S
AMP PCB	C206SL		nsp	nsp	C,CERAMIC HIK DISC	B0.001UF-K/50V-5RE D004102277050S
AMP PCB	C206SR		nsp	nsp	C,CERAMIC HIK DISC	B0.001UF-K/50V-5RE D004102277050S
AMP PCB	C207C		00D9630234506	00D9630234506	C,ELECT GE 85C	47UF-M/50V,6.3*11-5RE.SY (Pb Free) D040470087070S
AMP PCB	C207FL		00D9630234506	00D9630234506	C,ELECT GE 85C	47UF-M/50V,6.3*11-5RE.SY (Pb Free) D040470087070S
AMP PCB	C207FR		00D9630234506	00D9630234506	C,ELECT GE 85C	47UF-M/50V,6.3*11-5RE.SY (Pb Free) D040470087070S
AMP PCB	C207SBL		00D9630234506	00D9630234506	C,ELECT GE 85C	47UF-M/50V,6.3*11-5RE.SY (Pb Free) D040470087070S
AMP PCB	C207SBR		00D9630234506	00D9630234506	C,ELECT GE 85C	47UF-M/50V,6.3*11-5RE.SY (Pb Free) D040470087070S
AMP PCB	C207SL		00D9630234506	00D9630234506	C,ELECT GE 85C	47UF-M/50V,6.3*11-5RE.SY (Pb Free) D040470087070S
AMP PCB	C207SR		00D9630234506	00D9630234506	C,ELECT GE 85C	47UF-M/50V,6.3*11-5RE.SY (Pb Free) D040470087070S
AMP PCB	C208C		00MOA10605020	00MOA10605020	C,ELECT GE 85C	10UF-M/50V,5*11-5RE.SY D040100087070S
AMP PCB	C208FL		00MOA10605020	00MOA10605020	C,ELECT GE 85C	10UF-M/50V,5*11-5RE.SY D040100087070S
AMP PCB	C208FR		00MOA10605020	00MOA10605020	C,ELECT GE 85C	10UF-M/50V,5*11-5RE.SY D040100087070S
AMP PCB	C208SBL		00MOA10605020	00MOA10605020	C,ELECT GE 85C	10UF-M/50V,5*11-5RE.SY D040100087070S
AMP PCB	C208SBR		00MOA10605020	00MOA10605020	C,ELECT GE 85C	10UF-M/50V,5*11-5RE.SY D040100087070S
AMP PCB	C208SL		00MOA10605020	00MOA10605020	C,ELECT GE 85C	10UF-M/50V,5*11-5RE.SY D040100087070S
AMP PCB	C208SR		00MOA10605020	00MOA10605020	C,ELECT GE 85C	10UF-M/50V,5*11-5RE.SY D040100087070S
AMP PCB	C209C		00D9639003084	00D9639003084	C,CERAMIC HIK DISC	B100PF-K/500V-5RE D00410106D050S
AMP PCB	C209FL		00D9639003084	00D9639003084	C,CERAMIC HIK DISC	B100PF-K/500V-5RE D00410106D050S
AMP PCB	C209FR		00D9639003084	00D9639003084	C,CERAMIC HIK DISC	B100PF-K/500V-5RE D00410106D050S
AMP PCB	C209SBL		00D9639003084	00D9639003084	C,CERAMIC HIK DISC	B100PF-K/500V-5RE D00410106D050S
AMP PCB	C209SBR		00D9639003084	00D9639003084	C,CERAMIC HIK DISC	B100PF-K/500V-5RE D00410106D050S
AMP PCB	C209SL		00D9639003084	00D9639003084	C,CERAMIC HIK DISC	B100PF-K/500V-5RE D00410106D050S
AMP PCB	C209SR		00D9639003084	00D9639003084	C,CERAMIC HIK DISC	B100PF-K/500V-5RE D00410106D050S
AMP PCB	C210C		00D9639003084	00D9639003084	C,CERAMIC HIK DISC	B100PF-K/500V-5RE D00410106D050S
AMP PCB	C210FL		00D9639003084	00D9639003084	C,CERAMIC HIK DISC	B100PF-K/500V-5RE D00410106D050S
AMP PCB	C210FR		00D9639003084	00D9639003084	C,CERAMIC HIK DISC	B100PF-K/500V-5RE D00410106D050S

NOTE : "nsp" PART IS LISTED FOR REFERENCE ONLY, D&M WILL NOT SUPPLY THESE PARTS.

P.C.B. NAME	POS. NO.	VERS. COLOR	PART NO. (FOR EUR)	PART NO. (MZ)	PART NAME	DESCRIPTION
AMP PCB	C210SBL		00D9639003084	00D9639003084	C,CERAMIC HIK DISC	B100PF-K/500V-5RE D00410106D050S
AMP PCB	C210SBR		00D9639003084	00D9639003084	C,CERAMIC HIK DISC	B100PF-K/500V-5RE D00410106D050S
AMP PCB	C210SL		00D9639003084	00D9639003084	C,CERAMIC HIK DISC	B100PF-K/500V-5RE D00410106D050S
AMP PCB	C210SR		00D9639003084	00D9639003084	C,CERAMIC HIK DISC	B100PF-K/500V-5RE D00410106D050S
AMP PCB	C212		00D9630234302	00D9630234302	C,ELECT GE 85C	10UF-M/100V,6.3*11-5RE,SMS SY D04010008C050S
AMP PCB	CN201		nsp	nsp	CN,WIRE 2MM	160MM/15P 20010HS-15=CKM2002HV-15 WH1007#26 L002161150030S
AMP PCB	CP202		nsp	nsp	CN.WAFER 2.5MM	5267-13A 13P L102526701300S
AMP PCB	D201C		90M-HZ200220R	90M-HZ200220R	D,SWITCHING CHIP	KDS4148U FAST SWITCHING SOD-323(USC) K005041480030S
AMP PCB	D201FL		90M-HZ200220R	90M-HZ200220R	D,SWITCHING CHIP	KDS4148U FAST SWITCHING SOD-323(USC) K005041480030S
AMP PCB	D201FR		90M-HZ200220R	90M-HZ200220R	D,SWITCHING CHIP	KDS4148U FAST SWITCHING SOD-323(USC) K005041480030S
AMP PCB	D201SBL		90M-HZ200220R	90M-HZ200220R	D,SWITCHING CHIP	KDS4148U FAST SWITCHING SOD-323(USC) K005041480030S
AMP PCB	D201SBR		90M-HZ200220R	90M-HZ200220R	D,SWITCHING CHIP	KDS4148U FAST SWITCHING SOD-323(USC) K005041480030S
AMP PCB	D201SL		90M-HZ200220R	90M-HZ200220R	D,SWITCHING CHIP	KDS4148U FAST SWITCHING SOD-323(USC) K005041480030S
AMP PCB	D201SR		90M-HZ200220R	90M-HZ200220R	D,SWITCHING CHIP	KDS4148U FAST SWITCHING SOD-323(USC) K005041480030S
AMP PCB	D202C		90M-HZ200220R	90M-HZ200220R	D,SWITCHING CHIP	KDS4148U FAST SWITCHING SOD-323(USC) K005041480030S
AMP PCB	D202FL		90M-HZ200220R	90M-HZ200220R	D,SWITCHING CHIP	KDS4148U FAST SWITCHING SOD-323(USC) K005041480030S
AMP PCB	D202FR		90M-HZ200220R	90M-HZ200220R	D,SWITCHING CHIP	KDS4148U FAST SWITCHING SOD-323(USC) K005041480030S
AMP PCB	D202SBL		90M-HZ200220R	90M-HZ200220R	D,SWITCHING CHIP	KDS4148U FAST SWITCHING SOD-323(USC) K005041480030S
AMP PCB	D202SBR		90M-HZ200220R	90M-HZ200220R	D,SWITCHING CHIP	KDS4148U FAST SWITCHING SOD-323(USC) K005041480030S
AMP PCB	D202SL		90M-HZ200220R	90M-HZ200220R	D,SWITCHING CHIP	KDS4148U FAST SWITCHING SOD-323(USC) K005041480030S
AMP PCB	D202SR		90M-HZ200220R	90M-HZ200220R	D,SWITCHING CHIP	KDS4148U FAST SWITCHING SOD-323(USC) K005041480030S
AMP PCB	J201		nsp	nsp	CN,WIRE 1P	JUMPER (0.6/52MM) L045084006040S
AMP PCB	J202		nsp	nsp	CN,WIRE 1P	JUMPER (0.6/52MM) L045084006040S
AMP PCB	J203		nsp	nsp	CN,WIRE 1P	JUMPER (0.6/52MM) L045084006040S
AMP PCB	J204		nsp	nsp	CN,WIRE 1P	JUMPER (0.6/52MM) L045084006040S
AMP PCB	J205		nsp	nsp	CN,WIRE 1P	JUMPER (0.6/52MM) L045084006040S
AMP PCB	J207		nsp	nsp	CN,WIRE 1P	JUMPER (0.6/52MM) L045084006040S
AMP PCB	J208		nsp	nsp	CN,WIRE 1P	JUMPER (0.6/52MM) L045084006040S
AMP PCB	J210		nsp	nsp	CN,WIRE 1P	JUMPER (0.6/52MM) L045084006040S
AMP PCB	J211		nsp	nsp	CN,WIRE 1P	JUMPER (0.6/52MM) L045084006040S
AMP PCB	J212		nsp	nsp	CN,WIRE 1P	JUMPER (0.6/52MM) L045084006040S
AMP PCB	J213		nsp	nsp	CN,WIRE 1P	JUMPER (0.6/52MM) L045084006040S
AMP PCB	J214		nsp	nsp	CN,WIRE 1P	JUMPER (0.6/52MM) L045084006040S
AMP PCB	J215		nsp	nsp	CN,WIRE 1P	JUMPER (0.6/52MM) L045084006040S
AMP PCB	J216		nsp	nsp	CN,WIRE 1P	JUMPER (0.6/52MM) L045084006040S
AMP PCB	J217		nsp	nsp	CN,WIRE 1P	JUMPER (0.6/52MM) L045084006040S
AMP PCB	J218		nsp	nsp	CN,WIRE 1P	JUMPER (0.6/52MM) L045084006040S
AMP PCB	J219		nsp	nsp	CN,WIRE 1P	JUMPER (0.6/52MM) L045084006040S
AMP PCB	J220		nsp	nsp	CN,WIRE 1P	JUMPER (0.6/52MM) L045084006040S
AMP PCB	J221		nsp	nsp	CN,WIRE 1P	JUMPER (0.6/52MM) L045084006040S
AMP PCB	J222		nsp	nsp	CN,WIRE 1P	JUMPER (0.6/52MM) L045084006040S
AMP PCB	J223		nsp	nsp	CN,WIRE 1P	JUMPER (0.6/52MM) L045084006040S
AMP PCB	J224		nsp	nsp	CN,WIRE 1P	JUMPER (0.6/52MM) L045084006040S
AMP PCB	J229		nsp	nsp	CN,WIRE 1P	JUMPER (0.6/52MM) L045084006040S
AMP PCB	J230		nsp	nsp	CN,WIRE 1P	JUMPER (0.6/52MM) L045084006040S
AMP PCB	J231		nsp	nsp	CN,WIRE 1P	JUMPER (0.6/52MM) L045084006040S
AMP PCB	J232		nsp	nsp	CN,WIRE 1P	JUMPER (0.6/52MM) L045084006040S
AMP PCB	J238		nsp	nsp	CN,WIRE 1P	JUMPER (0.6/52MM) L045084006040S
AMP PCB	J239		nsp	nsp	CN,WIRE 1P	JUMPER (0.6/52MM) L045084006040S
AMP PCB	J240		nsp	nsp	CN,WIRE 1P	JUMPER (0.6/52MM) L045084006040S
AMP PCB	J241		nsp	nsp	CN,WIRE 1P	JUMPER (0.6/52MM) L045084006040S
AMP PCB	J242		nsp	nsp	CN,WIRE 1P	JUMPER (0.6/52MM) L045084006040S
AMP PCB	J244		nsp	nsp	CN,WIRE 1P	JUMPER (0.6/52MM) L045084006040S
AMP PCB	J247		nsp	nsp	CN,WIRE 1P	JUMPER (0.6/52MM) L045084006040S
AMP PCB	J248		nsp	nsp	CN,WIRE 1P	JUMPER (0.6/52MM) L045084006040S
AMP PCB	J249		nsp	nsp	CN,WIRE 1P	JUMPER (0.6/52MM) L045084006040S
AMP PCB	J250		nsp	nsp	CN,WIRE 1P	JUMPER (0.6/52MM) L045084006040S
AMP PCB	J256		nsp	nsp	CN,WIRE 1P	JUMPER (0.6/52MM) L045084006040S
AMP PCB	J257		nsp	nsp	CN,WIRE 1P	JUMPER (0.6/52MM) L045084006040S
AMP PCB	J258		nsp	nsp	CN,WIRE 1P	JUMPER (0.6/52MM) L045084006040S
AMP PCB	J260		nsp	nsp	CN,WIRE 1P	JUMPER (0.6/52MM) L045084006040S
AMP PCB	J261		nsp	nsp	CN,WIRE 1P	JUMPER (0.6/52MM) L045084006040S
AMP PCB	J262		nsp	nsp	CN,WIRE 1P	JUMPER (0.6/52MM) L045084006040S
AMP PCB	J271		nsp	nsp	CN,WIRE 1P	JUMPER (0.6/52MM) L045084006040S
AMP PCB	J274		nsp	nsp	CN,WIRE 1P	JUMPER (0.6/52MM) L045084006040S
AMP PCB	J275		nsp	nsp	CN,WIRE 1P	JUMPER (0.6/52MM) L045084006040S
AMP PCB	J277		nsp	nsp	CN,WIRE 1P	JUMPER (0.6/52MM) L045084006040S
AMP PCB	J278		nsp	nsp	CN,WIRE 1P	JUMPER (0.6/52MM) L045084006040S
AMP PCB	J281		nsp	nsp	CN,WIRE 1P	JUMPER (0.6/52MM) L045084006040S
AMP PCB	J282		nsp	nsp	CN,WIRE 1P	JUMPER (0.6/52MM) L045084006040S
AMP PCB	J283		nsp	nsp	CN,WIRE 1P	JUMPER (0.6/52MM) L045084006040S
AMP PCB	J284		nsp	nsp	CN,WIRE 1P	JUMPER (0.6/52MM) L045084006040S
AMP PCB	J285		nsp	nsp	CN,WIRE 1P	JUMPER (0.6/52MM) L045084006040S
AMP PCB	J286		nsp	nsp	CN,WIRE 1P	JUMPER (0.6/52MM) L045084006040S
AMP PCB	J295		nsp	nsp	CN,WIRE 1P	JUMPER (0.6/52MM) L045084006040S

NOTE : *nsp* PART IS LISTED FOR REFERENCE ONLY, D&M WILL NOT SUPPLY THESE PARTS.

P.C.B. NAME	POS. NO.	VERS. COLOR	PART NO. (FOR EUR)	PART NO. (MZ)	PART NAME	DESCRIPTION	
AMP PCB	R225SR		nsp	nsp	R,CHIP THICK	18K-J,1/16W-1608REEL	C20001836M160S
AMP PCB	R227C		963121006410M	963121006410M	R,CARBON FILM	2.2K-J,1/5W-52RE-AX	C00002226P520S
AMP PCB	R227FL		963121006410M	963121006410M	R,CARBON FILM	2.2K-J,1/5W-52RE-AX	C00002226P520S
AMP PCB	R227FR		963121006410M	963121006410M	R,CARBON FILM	2.2K-J,1/5W-52RE-AX	C00002226P520S
AMP PCB	R227SBL		963121006410M	963121006410M	R,CARBON FILM	2.2K-J,1/5W-52RE-AX	C00002226P520S
AMP PCB	R227SBR		963121006410M	963121006410M	R,CARBON FILM	2.2K-J,1/5W-52RE-AX	C00002226P520S
AMP PCB	R227SL		963121006410M	963121006410M	R,CARBON FILM	2.2K-J,1/5W-52RE-AX	C00002226P520S
AMP PCB	R227SR		963121006410M	963121006410M	R,CARBON FILM	2.2K-J,1/5W-52RE-AX	C00002226P520S
AMP PCB	R228C		963125006420M	963125006420M	R,METAL FILM 100PPM	RES MF 10 OHM 1W	C060010065520S
AMP PCB	R228FL		963125006420M	963125006420M	R,METAL FILM 100PPM	RES MF 10 OHM 1W	C060010065520S
AMP PCB	R228FR		963125006420M	963125006420M	R,METAL FILM 100PPM	RES MF 10 OHM 1W	C060010065520S
AMP PCB	R228SBL		963125006420M	963125006420M	R,METAL FILM 100PPM	RES MF 10 OHM 1W	C060010065520S
AMP PCB	R228SBR		963125006420M	963125006420M	R,METAL FILM 100PPM	RES MF 10 OHM 1W	C060010065520S
AMP PCB	R228SL		963125006420M	963125006420M	R,METAL FILM 100PPM	RES MF 10 OHM 1W	C060010065520S
AMP PCB	R228SR		963125006420M	963125006420M	R,METAL FILM 100PPM	RES MF 10 OHM 1W	C060010065520S
AMP PCB	R229		00MGA05100010	00MGA05100010	R,METAL FILM 100PPM	10-J,1W-R.REEL	C060010065050S
AMP PCB	R230C		00MGD05152160	00MGD05152160	R,CARBON FILM	1.5K-J,1/5W-52RE-AX	C00001526P520S
AMP PCB	R230FL		00MGD05152160	00MGD05152160	R,CARBON FILM	1.5K-J,1/5W-52RE-AX	C00001526P520S
AMP PCB	R230FR		00MGD05152160	00MGD05152160	R,CARBON FILM	1.5K-J,1/5W-52RE-AX	C00001526P520S
AMP PCB	R230SBL		00MGD05152160	00MGD05152160	R,CARBON FILM	1.5K-J,1/5W-52RE-AX	C00001526P520S
AMP PCB	R230SBR		00MGD05152160	00MGD05152160	R,CARBON FILM	1.5K-J,1/5W-52RE-AX	C00001526P520S
AMP PCB	R230SL		00MGD05152160	00MGD05152160	R,CARBON FILM	1.5K-J,1/5W-52RE-AX	C00001526P520S
AMP PCB	R230SR		00MGD05152160	00MGD05152160	R,CARBON FILM	1.5K-J,1/5W-52RE-AX	C00001526P520S
AMP PCB	TP201C		nsp	nsp	CN.WAFER 2.0MM	20010WR-03A00 DIP3P RIGHT ANGLE	L101200100320S
AMP PCB	TP201FL		nsp	nsp	CN.WAFER 2.0MM	20010WR-03A00 DIP3P RIGHT ANGLE	L101200100320S
AMP PCB	TP201FR		nsp	nsp	CN.WAFER 2.0MM	20010WR-03A00 DIP3P RIGHT ANGLE	L101200100320S
AMP PCB	TP201SBL		nsp	nsp	CN.WAFER 2.0MM	20010WR-03A00 DIP3P RIGHT ANGLE	L101200100320S
AMP PCB	TP201SBR		nsp	nsp	CN.WAFER 2.0MM	20010WR-03A00 DIP3P RIGHT ANGLE	L101200100320S
AMP PCB	TP201SL		nsp	nsp	CN.WAFER 2.0MM	20010WR-03A00 DIP3P RIGHT ANGLE	L101200100320S
AMP PCB	TP201SR		nsp	nsp	CN.WAFER 2.0MM	20010WR-03A00 DIP3P RIGHT ANGLE	L101200100320S
					AUX PWB(7020-06830-000-0S)		
AUX PCB	13,22			nsp	P.C.B SUB ASSY	NR1501FB(MARANTZ)/AUX1	7028068303010
AUX PCB	*			nsp	P.C.B INS ASSY	NR1501FB(MARANTZ)/AUX1-AXIAL	7027068303A10
AUX PCB	*			nsp	P.C.B INS ASSY	NR1501FB(MARANTZ)/AUX1-MANUAL	7027068303M10
AUX PCB	*			nsp	P.C.B INS ASSY	NR1501FB(MARANTZ)/AUX1-RADIAL	7027068303R10
AUX PCB	*			nsp	P.C.B INS ASSY	NR1501FB(MARANTZ)/AUX1-SMD	7027068303S10
AUX PCB	BD409			90M-FN000270R	COIL,BEAD	CBW160808U121T 120ohm SMD1608 TYPE	D340160811210S
AUX PCB	BD410			90M-FN000270R	COIL,BEAD	CBW160808U121T 120ohm SMD1608 TYPE	D340160811210S
AUX PCB	BD411			90M-FN000270R	COIL,BEAD	CBW160808U121T 120ohm SMD1608 TYPE	D340160811210S
AUX PCB	C442			00MOA10601620	C,ELECT GE 85C	10UF-M/16V,3*5-5RE SY	D040100083050S
AUX PCB	C443			00MOA10601620	C,ELECT GE 85C	10UF-M/16V,3*5-5RE SY	D040100083050S
AUX PCB	C448			00MDK96221300	C,CERAMIC CHIP T.C	COG220PF-J/50V-1608REEL	D010221167160S
AUX PCB	C450			00MDK96221300	C,CERAMIC CHIP T.C	COG220PF-J/50V-1608REEL	D010221167160S
AUX PCB	C453			00MDK96221300	C,CERAMIC CHIP T.C	COG220PF-J/50V-1608REEL	D010221167160S
AUX PCB	C455			00MDK96221300	C,CERAMIC CHIP T.C	COG220PF-J/50V-1608REEL	D010221167160S
AUX PCB	C459			00MDK96104300	C,CERAMIC CHIP HIK	X7R)0.1UF-K/50V-1608REEL TDK	D01110457162S
AUX PCB	CN406		nsp	nsp	CN,WIRE 2MM	320MM/3P 20010HS-03=CKM2002HV-03 WH2547#26 TUBE	L002321030050S
AUX PCB	D407			90M-HZ200220R	D,SWITCHING CHIP	KDS4148U FAST SWITCHING SOD-323(USC)	K005041480030S
AUX PCB	D408			90M-HZ200220R	D,SWITCHING CHIP	KDS4148U FAST SWITCHING SOD-323(USC)	K005041480030S
AUX PCB	JACK402,21		963643006470M	963643006470M	JACK,D3.5	MINIJACK(PJ-3234A-3)SILVER RINNG	G401PJ323A30YS
AUX PCB	LUG404		nsp	nsp	RING,TER WIRE	200MM/1P 61640BS(3.2P)=B1813TOP BK1007#22	8410201010060S
AUX PCB	R465		nsp	nsp	R,CHIP THICK	470K-J,1/16W-1608REEL	C20004746M160S
AUX PCB	R468		nsp	nsp	R,CHIP THICK	470K-J,1/16W-1608REEL	C20004746M160S
AUX PCB	R472		nsp	nsp	R,CHIP THICK	100K-J,1/16W-1608REEL	C20001046M160S
AUX PCB	R476		nsp	nsp	R,CHIP THICK	100K-J,1/16W-1608REEL	C20001046M160S
AUX PCB	R479		nsp	nsp	R,CHIP THICK	330-J,1/16W-1608REEL	C20003316M160S
AUX PCB	R480		nsp	nsp	R,CHIP THICK	330-J,1/16W-1608REEL	C20003316M160S
CNT-VIDEO PCB	*		nsp	nsp	P.C.B SUB ASSY	NR1501FB(MARANTZ)/CNT-VIDEO	7028068314010
CNT-VIDEO PCB	*		nsp	nsp	P.C.B INS ASSY	NR1501FB(MARANTZ)/CNT-VIDEO-MANUAL	7027068314M10
CNT-VIDEO PCB	CN501		00D9630206408	00D9630206408	CN.WAFER 2.0MM	TUC-P07P-B1 BD-TO-BD 7P WAFER ST (35336-07)	L101100040710S
CNT-VIDEO PCB	CN502		00D9630235709	00D9630235709	CN.WAFER 2.0MM	TUC-P12P-B1 BD-TO-BD 12P WAFER ST (35336-12)	L101100041210S
CNT-VIDEO PCB	CP503		00D9630086505	00D9630086505	CN.WAFER 2.0MM	TUC-P07X-B1 BD-TO-BD 7P HOUSING ST (35237-07)	L101100030710S
CNT-VIDEO PCB	CP504		00D9630236902	00D9630236902	CN.WAFER 2.0MM	TUC-P12X-B1 BD-TO-BD 12P HOUSING ST (35237-12)	L101100031210S
					DIG-IN PWB(7020-06828-000-0S)		
DIG-IN PCB	56,59		nsp	nsp	P.C.B SUB ASSY	NR1501FB(MARANTZ)/DIG-IN	7028068281010
DIG-IN PCB	*	F	nsp	nsp	P.C.B TOTAL ASSY	NR1501FB(MARANTZ)/DIG-IN	7025HK0819011
DIG-IN PCB	*	N1	nsp	nsp	P.C.B TOTAL ASSY	NR1501N1B(MARANTZ)/DIG-IN	7025HK0819021
DIG-IN PCB	*	K1SG	nsp	nsp	P.C.B TOTAL ASSY	NR1501K1SG(MARANTZ)/DIG-IN	7025HK0819041

NOTE : *nsp* PART IS LISTED FOR REFERENCE ONLY, D&M WILL NOT SUPPLY THESE PARTS.

P.C.B. NAME	POS. NO.	VERS. COLOR	PART NO. (FOR EUR)	PART NO. (MZ)	PART NAME	DESCRIPTION	
DIG-IN PCB	*	U1B	nsp	nsp	P.C.B TOTAL ASSY	NR1501U1B(MARANTZ)/DIG-IN	7025HK0819051
DIG-IN PCB	*		nsp	nsp	P.C.B INS ASSY	NR1501FB(MARANTZ)/DIG-IN-AXIAL	7027068281A10
DIG-IN PCB	BD601		90M-FN000270R	90M-FN000270R	COIL,BEAD	CBW160808U121T 120ohm SMD1608 TYPE	D340160811210S
DIG-IN PCB	BD602		90M-FN000270R	90M-FN000270R	COIL,BEAD	CBW160808U121T 120ohm SMD1608 TYPE	D340160811210S
DIG-IN PCB	BD603		90M-FN000270R	90M-FN000270R	COIL,BEAD	CBW160808U121T 120ohm SMD1608 TYPE	D340160811210S
DIG-IN PCB	BD604		90M-FN000270R	90M-FN000270R	COIL,BEAD	CBW160808U121T 120ohm SMD1608 TYPE	D340160811210S
DIG-IN PCB	BD605		90M-FN000270R	90M-FN000270R	COIL,BEAD	CBW160808U121T 120ohm SMD1608 TYPE	D340160811210S
DIG-IN PCB	BD606		90M-FN000270R	90M-FN000270R	COIL,BEAD	CBW160808U121T 120ohm SMD1608 TYPE	D340160811210S
DIG-IN PCB	BD616		90M-FN000270R	90M-FN000270R	COIL,BEAD	CBW160808U121T 120ohm SMD1608 TYPE	D340160811210S
DIG-IN PCB	BD617		90M-FN000270R	90M-FN000270R	COIL,BEAD	CBW160808U121T 120ohm SMD1608 TYPE	D340160811210S
DIG-IN PCB	BD618		90M-FN000270R	90M-FN000270R	COIL,BEAD	CBW160808U121T 120ohm SMD1608 TYPE	D340160811210S
DIG-IN PCB	BD619		90M-FN000270R	90M-FN000270R	COIL,BEAD	CBW160808U121T 120ohm SMD1608 TYPE	D340160811210S
DIG-IN PCB	BD620		90M-FN000270R	90M-FN000270R	COIL,BEAD	CBW160808U121T 120ohm SMD1608 TYPE	D340160811210S
DIG-IN PCB	BD621		90M-FN000270R	90M-FN000270R	COIL,BEAD	CBW160808U121T 120ohm SMD1608 TYPE	D340160811210S
DIG-IN PCB	BD622		90M-FN000270R	90M-FN000270R	COIL,BEAD	CBW160808U121T 120ohm SMD1608 TYPE	D340160811210S
DIG-IN PCB	BD623		90M-FN000270R	90M-FN000270R	COIL,BEAD	CBW160808U121T 120ohm SMD1608 TYPE	D340160811210S
DIG-IN PCB	BD624		90M-FN000270R	90M-FN000270R	COIL,BEAD	CBW160808U121T 120ohm SMD1608 TYPE	D340160811210S
DIG-IN PCB	BD625		90M-FN000270R	90M-FN000270R	COIL,BEAD	CBW160808U121T 120ohm SMD1608 TYPE	D340160811210S
DIG-IN PCB	BD626		90M-FN000270R	90M-FN000270R	COIL,BEAD	CBW160808U121T 120ohm SMD1608 TYPE	D340160811210S
DIG-IN PCB	BD627		90M-FN000270R	90M-FN000270R	COIL,BEAD	CBW160808U121T 120ohm SMD1608 TYPE	D340160811210S
DIG-IN PCB	C601		nsp	nsp	R,CHIP THICK	0-J,1/16W-1608REEL	C2000006M160S
DIG-IN PCB	C602		00D9639004591	00D9639004591	C,CERAMIC CHIP T.C	COG22PF-J/50V-1608REEL	D010220167160S
DIG-IN PCB	C603		963139006540M	963139006540M	C,ELECT GE 85C	0.1UF-M/50V,5*11-5RE.SY (Pb Free)	D040R10087080S
DIG-IN PCB	C604		00D9639004698	00D9639004698	C,CERAMIC CHIP HIK	X7R0.01UF-K/50V-1608REEL	D011103777160S
DIG-IN PCB	C605		00D9639004591	00D9639004591	C,CERAMIC CHIP T.C	COG22PF-J/50V-1608REEL	D010220167160S
DIG-IN PCB	C606		00D9639004698	00D9639004698	C,CERAMIC CHIP HIK	X7R0.01UF-K/50V-1608REEL	D011103777160S
DIG-IN PCB	C607		00MOA47601640	00MOA47601640	C,ELECT GE 85C	47UF-M/16V,5*11-5RE.SMS SY	D040470083080S
DIG-IN PCB	C608		00D9639004591	00D9639004591	C,CERAMIC CHIP T.C	COG22PF-J/50V-1608REEL	D010220167160S
DIG-IN PCB	C609		00D9639004698	00D9639004698	C,CERAMIC CHIP HIK	X7R0.01UF-K/50V-1608REEL	D011103777160S
DIG-IN PCB	C610		00MOA47601640	00MOA47601640	C,ELECT GE 85C	47UF-M/16V,5*11-5RE.SMS SY	D040470083080S
DIG-IN PCB	C611		00D9639004591	00D9639004591	C,CERAMIC CHIP T.C	COG22PF-J/50V-1608REEL	D010220167160S
DIG-IN PCB	C612		00D9639004698	00D9639004698	C,CERAMIC CHIP HIK	X7R0.01UF-K/50V-1608REEL	D011103777160S
DIG-IN PCB	C613		00MOA10605020	00MOA10605020	C,ELECT GE 85C	10UF-M/50V,5*11-5RE.SY	D040100087070S
DIG-IN PCB	C640		00MOA10505020	00MOA10505020	C,ELECT GE 85C	1UF-M/50V,5*11-5RE.SY (Pb Free)	D040010087150S
DIG-IN PCB	C641FL		00MOA10605020	00MOA10605020	C,ELECT GE 85C	10UF-M/50V,5*11-5RE.SY	D040100087070S
DIG-IN PCB	C641FR		00MOA10605020	00MOA10605020	C,ELECT GE 85C	10UF-M/50V,5*11-5RE.SY	D040100087070S
DIG-IN PCB	C642FL		00D9630233808	00D9630233808	C,CERAMIC CHIP T.C	COG47PF-J/50V-1608REEL	D010470167160S
DIG-IN PCB	C642FR		00D9630233808	00D9630233808	C,CERAMIC CHIP T.C	COG47PF-J/50V-1608REEL	D010470167160S
DIG-IN PCB	C643FL		00D9630233808	00D9630233808	C,CERAMIC CHIP T.C	COG47PF-J/50V-1608REEL	D010470167160S
DIG-IN PCB	C643FR		00D9630233808	00D9630233808	C,CERAMIC CHIP T.C	COG47PF-J/50V-1608REEL	D010470167160S
DIG-IN PCB	C651C		00MOA10605020	00MOA10605020	C,ELECT GE 85C	10UF-M/50V,5*11-5RE.SY	D040100087070S
DIG-IN PCB	C651SBL		00MOA10605020	00MOA10605020	C,ELECT GE 85C	10UF-M/50V,5*11-5RE.SY	D040100087070S
DIG-IN PCB	C651SBR		00MOA10605020	00MOA10605020	C,ELECT GE 85C	10UF-M/50V,5*11-5RE.SY	D040100087070S
DIG-IN PCB	C651SL		00MOA10605020	00MOA10605020	C,ELECT GE 85C	10UF-M/50V,5*11-5RE.SY	D040100087070S
DIG-IN PCB	C651SR		00MOA10605020	00MOA10605020	C,ELECT GE 85C	10UF-M/50V,5*11-5RE.SY	D040100087070S
DIG-IN PCB	C651SW		00MOA10605020	00MOA10605020	C,ELECT GE 85C	10UF-M/50V,5*11-5RE.SY	D040100087070S
DIG-IN PCB	C652C		00D9639004672	00D9639004672	C,CERAMIC CHIP T.C	COG 680pF-J 50V-1608REEL	D010681167160S
DIG-IN PCB	C652SBL		00D9639004672	00D9639004672	C,CERAMIC CHIP T.C	COG 680pF-J 50V-1608REEL	D010681167160S
DIG-IN PCB	C652SBR		00D9639004672	00D9639004672	C,CERAMIC CHIP T.C	COG 680pF-J 50V-1608REEL	D010681167160S
DIG-IN PCB	C652SL		00D9639004672	00D9639004672	C,CERAMIC CHIP T.C	COG 680pF-J 50V-1608REEL	D010681167160S
DIG-IN PCB	C652SR		00D9639004672	00D9639004672	C,CERAMIC CHIP T.C	COG 680pF-J 50V-1608REEL	D010681167160S
DIG-IN PCB	C652SW		00D9639004672	00D9639004672	C,CERAMIC CHIP T.C	COG 680pF-J 50V-1608REEL	D010681167160S
DIG-IN PCB	C653C		00D9639006146	00D9639006146	C,CERAMIC CHIP T.C	COG 560PF-J/50V-1608REEL	D010561167160S
DIG-IN PCB	C653SBL		00D9639006146	00D9639006146	C,CERAMIC CHIP T.C	COG 560PF-J/50V-1608REEL	D010561167160S
DIG-IN PCB	C653SBR		00D9639006146	00D9639006146	C,CERAMIC CHIP T.C	COG 560PF-J/50V-1608REEL	D010561167160S
DIG-IN PCB	C653SL		00D9639006146	00D9639006146	C,CERAMIC CHIP T.C	COG 560PF-J/50V-1608REEL	D010561167160S
DIG-IN PCB	C653SR		00D9639006146	00D9639006146	C,CERAMIC CHIP T.C	COG 560PF-J/50V-1608REEL	D010561167160S
DIG-IN PCB	C653SW		00D9639006146	00D9639006146	C,CERAMIC CHIP T.C	COG 560PF-J/50V-1608REEL	D010561167160S
DIG-IN PCB	C654C		00MOA10605020	00MOA10605020	C,ELECT GE 85C	10UF-M/50V,5*11-5RE.SY	D040100087070S
DIG-IN PCB	C654FL		00MOA10605020	00MOA10605020	C,ELECT GE 85C	10UF-M/50V,5*11-5RE.SY	D040100087070S
DIG-IN PCB	C654FR		00MOA10605020	00MOA10605020	C,ELECT GE 85C	10UF-M/50V,5*11-5RE.SY	D040100087070S
DIG-IN PCB	C654SBL		00MOA10605020	00MOA10605020	C,ELECT GE 85C	10UF-M/50V,5*11-5RE.SY	D040100087070S
DIG-IN PCB	C654SBR		00MOA10605020	00MOA10605020	C,ELECT GE 85C	10UF-M/50V,5*11-5RE.SY	D040100087070S
DIG-IN PCB	C654SL		00MOA10605020	00MOA10605020	C,ELECT GE 85C	10UF-M/50V,5*11-5RE.SY	D040100087070S
DIG-IN PCB	C654SR		00MOA10605020	00MOA10605020	C,ELECT GE 85C	10UF-M/50V,5*11-5RE.SY	D040100087070S
DIG-IN PCB	C654SW		00MOA10605020	00MOA10605020	C,ELECT GE 85C	10UF-M/50V,5*11-5RE.SY	D040100087070S
DIG-IN PCB	C655C		00D9630303107	00D9630303107	C,CERAMIC CHIP HIK	X7R2200PF-K/50V-1608REEL	D011222777160S
DIG-IN PCB	C655FL		00D9630303107	00D9630303107	C,CERAMIC CHIP HIK	X7R2200PF-K/50V-1608REEL	D011222777160S
DIG-IN PCB	C655FR		00D9630303107	00D9630303107	C,CERAMIC CHIP HIK	X7R2200PF-K/50V-1608REEL	D011222777160S
DIG-IN PCB	C655SBL		00D9630303107	00D9630303107	C,CERAMIC CHIP HIK	X7R2200PF-K/50V-1608REEL	D011222777160S
DIG-IN PCB	C655SBR		00D9630303107	00D9630303107	C,CERAMIC CHIP HIK	X7R2200PF-K/50V-1608REEL	D011222777160S
DIG-IN PCB	C655SL		00D9630303107	00D9630303107	C,CERAMIC CHIP HIK	X7R2200PF-K/50V-1608REEL	D011222777160S
DIG-IN PCB	C655SR		00D9630303107	00D9630303107	C,CERAMIC CHIP HIK	X7R2200PF-K/50V-1608REEL	D011222777160S
DIG-IN PCB	C655SW		00D9630303107	00D9630303107	C,CERAMIC CHIP HIK	X7R2200PF-K/50V-1608REEL	D011222777160S
DIG-IN PCB	C661		00D9639004698	00D9639004698	C,CERAMIC CHIP HIK	X7R0.01UF-K/50V-1608REEL	D011103777160S
DIG-IN PCB	C662		00D9639004698	00D9639004698	C,CERAMIC CHIP HIK	X7R0.01UF-K/50V-1608REEL	D011103777160S

NOTE : "nsp" PART IS LISTED FOR REFERENCE ONLY, D&M WILL NOT SUPPLY THESE PARTS.

P.C.B. NAME	POS. NO.	VERS. COLOR	PART NO. (FOR EUR)	PART NO. (MZ)	PART NAME	DESCRIPTION	
DIG-IN PCB	C663		00D9639004698	00D9639004698	C,CERAMIC CHIP HIK	X7R0.01UF-K/50V-1608REEL	D011103777160S
DIG-IN PCB	C664		00D9639004698	00D9639004698	C,CERAMIC CHIP HIK	X7R0.01UF-K/50V-1608REEL	D011103777160S
DIG-IN PCB	C665		00D9639004698	00D9639004698	C,CERAMIC CHIP HIK	X7R0.01UF-K/50V-1608REEL	D011103777160S
DIG-IN PCB	C666		00D9639004698	00D9639004698	C,CERAMIC CHIP HIK	X7R0.01UF-K/50V-1608REEL	D011103777160S
DIG-IN PCB	C667		00D9639004698	00D9639004698	C,CERAMIC CHIP HIK	X7R0.01UF-K/50V-1608REEL	D011103777160S
DIG-IN PCB	C668		00D9639004698	00D9639004698	C,CERAMIC CHIP HIK	X7R0.01UF-K/50V-1608REEL	D011103777160S
DIG-IN PCB	C669		00D9639004698	00D9639004698	C,CERAMIC CHIP HIK	X7R0.01UF-K/50V-1608REEL	D011103777160S
DIG-IN PCB	C670		00D9639004698	00D9639004698	C,CERAMIC CHIP HIK	X7R0.01UF-K/50V-1608REEL	D011103777160S
DIG-IN PCB	CN601		nsp	nsp	CN.WAFER 2.0MM	TUC-P20X-B1 BD-TO-BD 20P HOUSING ST (35237-20)	L101100032010S
DIG-IN PCB	CN602		00D9630085506	00D9630085506	CN.WAFER 2.0MM	TUC-P09X-B1 BD-TO-BD 9P HOUSING ST (35237-09)	L101100030910S
DIG-IN PCB	CN603		nsp	nsp	CN.WAFER 2.0MM	TUC-P17X-B1 BD-TO-BD 17P HOUSING ST (35237-17)	L101100031710S
DIG-IN PCB	CP611		00D9630206505	00D9630206505	CN.WAFER 2.0MM	TUC-P09P-B1 BD-TO-BD 9P WAFER ST (35336-09)	L101100040910S
DIG-IN PCB	CP612		00D9630087407	00D9630087407	CN.WAFER 2.0MM	TUC-P16P-B1 BD-TO-BD 16P WAFER ST (35336-16)	L101100041610S
DIG-IN PCB	CP613		00D9630087407	00D9630087407	CN.WAFER 2.0MM	TUC-P16P-B1 BD-TO-BD 16P WAFER ST (35336-16)	L101100041610S
DIG-IN PCB	D601		90M-HZ200220R	90M-HZ200220R	D,SWITCHING CHIP	KDS4148U FAST SWITCHING SOD-323(USC)	K005041480030S
DIG-IN PCB	D602		90M-HZ200220R	90M-HZ200220R	D,SWITCHING CHIP	KDS4148U FAST SWITCHING SOD-323(USC)	K005041480030S
DIG-IN PCB	D603		90M-HZ200220R	90M-HZ200220R	D,SWITCHING CHIP	KDS4148U FAST SWITCHING SOD-323(USC)	K005041480030S
DIG-IN PCB	FPC601		nsp	nsp	CN.FPC 1.0MM	1.0-15S-8PWB 8P HOR SMT TOP	L130100150840S
DIG-IN PCB	IC601		963239001880S	963239001880S	IC,LINEAR OP	AZ4580M-TRE1-SOIC8P/DUAL LOW NOISE OP AMP	J121458000020S
DIG-IN PCB	IC602		963239001880S	963239001880S	IC,LINEAR OP	AZ4580M-TRE1-SOIC8P/DUAL LOW NOISE OP AMP	J121458000020S
DIG-IN PCB	IC603		963239001880S	963239001880S	IC,LINEAR OP	AZ4580M-TRE1-SOIC8P/DUAL LOW NOISE OP AMP	J121458000020S
DIG-IN PCB	IC604		963239001880S	963239001880S	IC,LINEAR OP	AZ4580M-TRE1-SOIC8P/DUAL LOW NOISE OP AMP	J121458000020S
DIG-IN PCB	IC605		963239001880S	963239001880S	IC,LINEAR OP	AZ4580M-TRE1-SOIC8P/DUAL LOW NOISE OP AMP	J121458000020S
DIG-IN PCB	IC606		00D9630367307	00D9630367307	IC,LOGIC	SN74AHCU04PWR HEX INVERTER TSSOP14P	J040740400290S
DIG-IN PCB	JACK601,58		90M-YT004980R	90M-YT004980R	MODULE	JSR1165-C /OPTICAL RECEIVER 96K SHUTTER	E100116500040S
DIG-IN PCB	JACK602,58		90M-YT004980R	90M-YT004980R	MODULE	JSR1165-C /OPTICAL RECEIVER 96K SHUTTER	E100116500040S
DIG-IN PCB	JACK603,57		nsp	nsp	TER,RCA 1PIN	RCA-107A(BK)	G600107A0000YS
DIG-IN PCB	L601		963115006610M	963115006610M	COIL,FILTER-INDUCTOR	2.2UH-Q50/110M-R1.2-5REEL LAL03VB	D3302R2000150S
DIG-IN PCB	L602		00D9630050803	00D9630050803	COIL,FILTER-INDUCTOR	4.7UH-Q50/56M-R1.7-5REEL LAL03VB	D3304R7000150S
DIG-IN PCB	L603		00D9630050803	00D9630050803	COIL,FILTER-INDUCTOR	4.7UH-Q50/56M-R1.7-5REEL LAL03VB	D3304R7000150S
DIG-IN PCB	Q601		00D9600196807	00D9600196807	SEMI,FET/2SN	FET 2SK117Y (TYPE2)	J5441170Y0050S
DIG-IN PCB	Q602		00D9600196807	00D9600196807	SEMI,FET/2SN	FET 2SK117Y (TYPE2)	J5441170Y0050S
DIG-IN PCB	Q603		90M-BA001230R	90M-BA001230R	SEMI,CHIP TR/PNP 2SA	KRA102S(PB) 0.2W/SOT-23 REEL	J520010200210S
DIG-IN PCB	Q604		00D9600285006	00D9600285006	SEMI,CHIP TR/NPN 2SC	KRC104S (ND)/SOT-23 REEL	J522104S00210S
DIG-IN PCB	R601		nsp	nsp	R,CHIP THICK	10K-J,1/16W-1608REEL	C20001036M160S
DIG-IN PCB	R602		nsp	nsp	R,CHIP THICK	10K-J,1/16W-1608REEL	C20001036M160S
DIG-IN PCB	R603		nsp	nsp	R,CHIP THICK	10K-J,1/16W-1608REEL	C20001036M160S
DIG-IN PCB	R604		nsp	nsp	R,CHIP THICK	10K-J,1/16W-1608REEL	C20001036M160S
DIG-IN PCB	R605		nsp	nsp	R,CHIP THICK	10K-J,1/16W-1608REEL	C20001036M160S
DIG-IN PCB	R606		nsp	nsp	R,CHIP THICK	75-J,1/16W-1608REEL	C20007506M160S
DIG-IN PCB	R607		nsp	nsp	R,CHIP THICK	100-J,1/16W-1608REEL	C20001016M160S
DIG-IN PCB	R608		nsp	nsp	R,CHIP THICK	100K-J,1/16W-1608REEL	C20001046M160S
DIG-IN PCB	R609		nsp	nsp	R,CHIP THICK	10K-J,1/16W-1608REEL	C20001036M160S
DIG-IN PCB	R610		nsp	nsp	R,CHIP THICK	2.2K-J,1/16W-1608REEL	C20002226M160S
DIG-IN PCB	R643FL		nsp	nsp	R,CHIP THICK	2.2K-J,1/16W-1608REEL	C20002226M160S
DIG-IN PCB	R643FR		nsp	nsp	R,CHIP THICK	2.2K-J,1/16W-1608REEL	C20002226M160S
DIG-IN PCB	R611		nsp	nsp	R,CHIP THICK	4.7K-J,1/16W-1608REEL	C20004726M160S
DIG-IN PCB	R612		nsp	nsp	R,CHIP THICK	4.7K-J,1/16W-1608REEL	C20004726M160S
DIG-IN PCB	R613		nsp	nsp	R,CHIP THICK	33-J,1/16W-1608REEL	C20003306M160S
DIG-IN PCB	R614		nsp	nsp	R,CHIP THICK	33-J,1/16W-1608REEL	C20003306M160S
DIG-IN PCB	R615		nsp	nsp	R,CHIP THICK	33-J,1/16W-1608REEL	C20003306M160S
DIG-IN PCB	R641FL		nsp	nsp	R,CHIP THICK	10K-J,1/16W-1608REEL	C20001036M160S
DIG-IN PCB	R641FR		nsp	nsp	R,CHIP THICK	10K-J,1/16W-1608REEL	C20001036M160S
DIG-IN PCB	R641FL		nsp	nsp	R,CHIP THICK	10K-J,1/16W-1608REEL	C20001036M160S
DIG-IN PCB	R641FR		nsp	nsp	R,CHIP THICK	10K-J,1/16W-1608REEL	C20001036M160S
DIG-IN PCB	R644FL		nsp	nsp	R,CHIP THICK	10K-J,1/16W-1608REEL	C20001036M160S
DIG-IN PCB	R644FR		nsp	nsp	R,CHIP THICK	10K-J,1/16W-1608REEL	C20001036M160S
DIG-IN PCB	R645FL		nsp	nsp	R,CHIP THICK	10K-J,1/16W-1608REEL	C20001036M160S
DIG-IN PCB	R645FR		nsp	nsp	R,CHIP THICK	10K-J,1/16W-1608REEL	C20001036M160S
DIG-IN PCB	R646FL		nsp	nsp	R,CHIP THICK	10K-J,1/16W-1608REEL	C20001036M160S
DIG-IN PCB	R646FR		nsp	nsp	R,CHIP THICK	10K-J,1/16W-1608REEL	C20001036M160S
DIG-IN PCB	R647		nsp	nsp	R,CHIP THICK	470K-J,1/16W-1608REEL	C20004746M160S
DIG-IN PCB	R648		nsp	nsp	R,CHIP THICK	2.2K-J,1/16W-1608REEL	C20002226M160S
DIG-IN PCB	R651C		nsp	nsp	R,CHIP THICK	100K-J,1/16W-1608REEL	C20001046M160S
DIG-IN PCB	R651SBL		nsp	nsp	R,CHIP THICK	100K-J,1/16W-1608REEL	C20001046M160S
DIG-IN PCB	R651SBR		nsp	nsp	R,CHIP THICK	100K-J,1/16W-1608REEL	C20001046M160S
DIG-IN PCB	R651SL		nsp	nsp	R,CHIP THICK	100K-J,1/16W-1608REEL	C20001046M160S

NOTE : "nsp" PART IS LISTED FOR REFERENCE ONLY, D&M WILL NOT SUPPLY THESE PARTS.

P.C.B. NAME	POS. NO.	VERS. COLOR	PART NO. (FOR EUR)	PART NO. (MZ)	PART NAME	DESCRIPTION	
DIG-IN PCB	R651SR		nsp	nsp	R,CHIP THICK	100K-J,1/16W-1608REEL	C20001046M160S
DIG-IN PCB	R651SW		nsp	nsp	R,CHIP THICK	100K-J,1/16W-1608REEL	C20001046M160S
DIG-IN PCB	R652C		nsp	nsp	R,CHIP THICK	4.7K-J,1/16W-1608REEL	C20004726M160S
DIG-IN PCB	R652SBL		nsp	nsp	R,CHIP THICK	4.7K-J,1/16W-1608REEL	C20004726M160S
DIG-IN PCB	R652SBR		nsp	nsp	R,CHIP THICK	4.7K-J,1/16W-1608REEL	C20004726M160S
DIG-IN PCB	R652SL		nsp	nsp	R,CHIP THICK	4.7K-J,1/16W-1608REEL	C20004726M160S
DIG-IN PCB	R652SR		nsp	nsp	R,CHIP THICK	4.7K-J,1/16W-1608REEL	C20004726M160S
DIG-IN PCB	R652SW		nsp	nsp	R,CHIP THICK	4.7K-J,1/16W-1608REEL	C20004726M160S
DIG-IN PCB	R653C		nsp	nsp	R,CHIP THICK	4.7K-J,1/16W-1608REEL	C20004726M160S
DIG-IN PCB	R653SBL		nsp	nsp	R,CHIP THICK	4.7K-J,1/16W-1608REEL	C20004726M160S
DIG-IN PCB	R653SBR		nsp	nsp	R,CHIP THICK	4.7K-J,1/16W-1608REEL	C20004726M160S
DIG-IN PCB	R653SL		nsp	nsp	R,CHIP THICK	4.7K-J,1/16W-1608REEL	C20004726M160S
DIG-IN PCB	R653SR		nsp	nsp	R,CHIP THICK	4.7K-J,1/16W-1608REEL	C20004726M160S
DIG-IN PCB	R655C		nsp	nsp	R,CHIP THICK	5.1K-J,1/16W-1608REEL	C20005126M160S
DIG-IN PCB	R655SBL		nsp	nsp	R,CHIP THICK	5.1K-J,1/16W-1608REEL	C20005126M160S
DIG-IN PCB	R655SBR		nsp	nsp	R,CHIP THICK	5.1K-J,1/16W-1608REEL	C20005126M160S
DIG-IN PCB	R655SL		nsp	nsp	R,CHIP THICK	5.1K-J,1/16W-1608REEL	C20005126M160S
DIG-IN PCB	R655SR		nsp	nsp	R,CHIP THICK	5.1K-J,1/16W-1608REEL	C20005126M160S
DIG-IN PCB	R655SW		nsp	nsp	R,CHIP THICK	5.1K-J,1/16W-1608REEL	C20005126M160S
DIG-IN PCB	R656C		nsp	nsp	R,CHIP THICK	1K-J,1/16W-1608REEL	C20001026M160S
DIG-IN PCB	R656FL		nsp	nsp	R,CHIP THICK	1K-J,1/16W-1608REEL	C20001026M160S
DIG-IN PCB	R656FR		nsp	nsp	R,CHIP THICK	1K-J,1/16W-1608REEL	C20001026M160S
DIG-IN PCB	R656SBL		nsp	nsp	R,CHIP THICK	1K-J,1/16W-1608REEL	C20001026M160S
DIG-IN PCB	R656SBR		nsp	nsp	R,CHIP THICK	1K-J,1/16W-1608REEL	C20001026M160S
DIG-IN PCB	R656SL		nsp	nsp	R,CHIP THICK	1K-J,1/16W-1608REEL	C20001026M160S
DIG-IN PCB	R656SR		nsp	nsp	R,CHIP THICK	1K-J,1/16W-1608REEL	C20001026M160S
DIG-IN PCB	R656SW		nsp	nsp	R,CHIP THICK	1K-J,1/16W-1608REEL	C20001026M160S
DIG-IN PCB	R657C		nsp	nsp	R,CHIP THICK	100K-J,1/16W-1608REEL	C20001046M160S
DIG-IN PCB	R657FL		nsp	nsp	R,CHIP THICK	100K-J,1/16W-1608REEL	C20001046M160S
DIG-IN PCB	R657FR		nsp	nsp	R,CHIP THICK	100K-J,1/16W-1608REEL	C20001046M160S
DIG-IN PCB	R657SBL		nsp	nsp	R,CHIP THICK	100K-J,1/16W-1608REEL	C20001046M160S
DIG-IN PCB	R657SBR		nsp	nsp	R,CHIP THICK	100K-J,1/16W-1608REEL	C20001046M160S
DIG-IN PCB	R657SL		nsp	nsp	R,CHIP THICK	100K-J,1/16W-1608REEL	C20001046M160S
DIG-IN PCB	R657SR		nsp	nsp	R,CHIP THICK	100K-J,1/16W-1608REEL	C20001046M160S
DIG-IN PCB	R657SW		nsp	nsp	R,CHIP THICK	100K-J,1/16W-1608REEL	C20001046M160S
					FRONT PCB(7020-06830-000-0S)		
FRONT PCB	30	N1	nsp	nsp	P.C.B SUB ASSY	NR1501FB(MARANTZ)/FRONT	7028068301010
FRONT PCB	30	K1SG	nsp	nsp	P.C.B SUB ASSY	NR1501FB(MARANTZ)/FRONT	7028068301010
FRONT PCB	30	F	nsp	nsp	P.C.B SUB ASSY	NR1501FB(MARANTZ)/FRONT	7028068301010
FRONT PCB	30	U1B	nsp	nsp	P.C.B SUB ASSY	NR1501U1B(MARANTZ)/FRONT	7028068301020
FRONT PCB	27		nsp	nsp	HOLDER	() HOLDER FL(PC)HK-3250	432004078301AS
FRONT PCB	*	F	nsp	nsp	P.C.B TOTAL ASSY	NR1501FB(MARANTZ)/FRONT	7025HK0819013
FRONT PCB	*	N1	nsp	nsp	P.C.B TOTAL ASSY	NR1501N1B(MARANTZ)/FRONT	7025HK0819023
FRONT PCB	*	K1SG	nsp	nsp	P.C.B TOTAL ASSY	NR1501K1SG(MARANTZ)/FRONT	7025HK0819043
FRONT PCB	*	U1B	nsp	nsp	P.C.B TOTAL ASSY	NR1501U1B(MARANTZ)/FRONT	7025HK0819053
FRONT PCB	C403		00D9630224309	00D9630224309	C,CERAMIC CHIP HIK	X7R820PF-K/50V-1608REEL	D011821777160S
FRONT PCB	C404		00D9630224309	00D9630224309	C,CERAMIC CHIP HIK	X7R820PF-K/50V-1608REEL	D011821777160S
FRONT PCB	C405		00D9630224309	00D9630224309	C,CERAMIC CHIP HIK	X7R820PF-K/50V-1608REEL	D011821777160S
FRONT PCB	C406		00D9630224309	00D9630224309	C,CERAMIC CHIP HIK	X7R820PF-K/50V-1608REEL	D011821777160S
FRONT PCB	C407		00MOA10605020	00MOA10605020	C,ELECT GE 85C	1UF-M/50V,5*11-5RE.SY	D04010087070S
FRONT PCB	C408		90M-OF100300R	90M-OF100300R	C,FILM POLYESTER	ST-0.047UF-J/100V-5RE	D02047306C060S
FRONT PCB	C409		00MOA10505020	00MOA10505020	C,ELECT GE 85C	1UF-M/50V,5*11-5RE.SY (Pb Free)	D040010087150S
FRONT PCB	C410		00D9630223601	00D9630223601	C,CERAMIC CHIP T.C	COG100PF-J/50V-1608REEL	D010101167160S
FRONT PCB	C411		00D9630223601	00D9630223601	C,CERAMIC CHIP T.C	COG100PF-J/50V-1608REEL	D010101167160S
FRONT PCB	C412		00D9630223601	00D9630223601	C,CERAMIC CHIP T.C	COG100PF-J/50V-1608REEL	D010101167160S
FRONT PCB	C413		00D9639004698	00D9639004698	C,CERAMIC CHIP HIK	X7R0.01UF-K/50V-1608REEL	D011103777160S
FRONT PCB	C414		00D9639004698	00D9639004698	C,CERAMIC CHIP HIK	X7R0.01UF-K/50V-1608REEL	D011103777160S
FRONT PCB	C415		00MOA10505020	00MOA10505020	C,ELECT GE 85C	1UF-M/50V,5*11-5RE.SY (Pb Free)	D040010087150S
FRONT PCB	C417		00D9639004698	00D9639004698	C,CERAMIC CHIP HIK	X7R0.01UF-K/50V-1608REEL	D011103777160S
FRONT PCB	C419		00D9639004698	00D9639004698	C,CERAMIC CHIP HIK	X7R0.01UF-K/50V-1608REEL	D011103777160S
FRONT PCB	C424		00MOA47601640	00MOA47601640	C,ELECT GE 85C	47UF-M/16V,5*11-5RE.SMS SY	D040470083080S
FRONT PCB	C425		00D9639004698	00D9639004698	C,CERAMIC CHIP HIK	X7R0.01UF-K/50V-1608REEL	D011103777160S
FRONT PCB	C426		90M-OF100300R	90M-OF100300R	C,FILM POLYESTER	ST-0.047UF-J/100V-5RE	D02047306C060S
FRONT PCB	C427		00D9639004698	00D9639004698	C,CERAMIC CHIP HIK	X7R0.01UF-K/50V-1608REEL	D011103777160S
FRONT PCB	C428		00MOA10505020	00MOA10505020	C,ELECT GE 85C	1UF-M/50V,5*11-5RE.SY (Pb Free)	D040010087150S
FRONT PCB	C435		00D9639004698	00D9639004698	C,CERAMIC CHIP HIK	X7R0.01UF-K/50V-1608REEL	D011103777160S
FRONT PCB	C436		00D9639004698	00D9639004698	C,CERAMIC CHIP HIK	X7R0.01UF-K/50V-1608REEL	D011103777160S
FRONT PCB	C461		00D9639004698	00D9639004698	C,CERAMIC CHIP HIK	X7R0.01UF-K/50V-1608REEL	D011103777160S
FRONT PCB	CN401		nsp	nsp	CN,WIRE	60MM/3P CKM2002HV-03*2 WH1007#26	L000600030110S
FRONT PCB	CN402		nsp	nsp	CN,WIRE	340MM/3P 5264-03=CKM2509HV-03 BK1007#22	L000341030080S
FRONT PCB	FLT401_26		963179006770M	963179006770M	DISPLAY,FLT	SPC08.03.13-02 12G*16A 110*29 GREEN	K530080300010S
FRONT PCB	FPC401		963606006780M	963606006780M	CN.FPC 1.25MM	1.25-2S-23PW 23P AN DIP	L131125022320S
FRONT PCB	IC401		963239003150S	963239003150S	IC,LINEAR-DRIVER	SC16315 VFD DRIVER CONTROLLER IC QFP44P	J127163150010S

NOTE : "nsp" PART IS LISTED FOR REFERENCE ONLY, D&M WILL NOT SUPPLY THESE PARTS.

P.C.B. NAME	POS. NO.	VERS. COLOR	PART NO. (FOR EUR)	PART NO. (MZ)	PART NAME	DESCRIPTION
FRONT PCB	J401		nsp	nsp	CN,WIRE 1P	JUMPER (0.6/52MM) L045084006040S
FRONT PCB	J407	U1B	nsp	nsp	CN,WIRE 1P	JUMPER (0.6/52MM) L045084006040S
FRONT PCB	J408	U1B	nsp	nsp	CN,WIRE 1P	JUMPER (0.6/52MM) L045084006040S
FRONT PCB	J411		nsp	nsp	CN,WIRE 1P	JUMPER (0.6/52MM) L045084006040S
FRONT PCB	J414		nsp	nsp	CN,WIRE 1P	JUMPER (0.6/52MM) L045084006040S
FRONT PCB	J415		nsp	nsp	CN,WIRE 1P	JUMPER (0.6/52MM) L045084006040S
FRONT PCB	J425		nsp	nsp	CN,WIRE 1P	JUMPER (0.6/52MM) L045084006040S
FRONT PCB	J426		nsp	nsp	CN,WIRE 1P	JUMPER (0.6/52MM) L045084006040S
FRONT PCB	J430		nsp	nsp	CN,WIRE 1P	JUMPER (0.6/52MM) L045084006040S
FRONT PCB	J431		nsp	nsp	CN,WIRE 1P	JUMPER (0.6/52MM) L045084006040S
FRONT PCB	J432		nsp	nsp	CN,WIRE 1P	JUMPER (0.6/52MM) L045084006040S
FRONT PCB	J436		nsp	nsp	CN,WIRE 1P	JUMPER (0.6/52MM) L045084006040S
FRONT PCB	J437		nsp	nsp	CN,WIRE 1P	JUMPER (0.6/52MM) L045084006040S
FRONT PCB	J442		nsp	nsp	CN,WIRE 1P	JUMPER (0.6/52MM) L045084006040S
FRONT PCB	J443		nsp	nsp	CN,WIRE 1P	JUMPER (0.6/52MM) L045084006040S
FRONT PCB	J444		nsp	nsp	CN,WIRE 1P	JUMPER (0.6/52MM) L045084006040S
FRONT PCB	J445		nsp	nsp	CN,WIRE 1P	JUMPER (0.6/52MM) L045084006040S
FRONT PCB	J446		nsp	nsp	CN,WIRE 1P	JUMPER (0.6/52MM) L045084006040S
FRONT PCB	J447		nsp	nsp	CN,WIRE 1P	JUMPER (0.6/52MM) L045084006040S
FRONT PCB	J448		nsp	nsp	CN,WIRE 1P	JUMPER (0.6/52MM) L045084006040S
FRONT PCB	J449		nsp	nsp	CN,WIRE 1P	JUMPER (0.6/52MM) L045084006040S
FRONT PCB	J450		nsp	nsp	CN,WIRE 1P	JUMPER (0.6/52MM) L045084006040S
FRONT PCB	J452		nsp	nsp	CN,WIRE 1P	JUMPER (0.6/52MM) L045084006040S
FRONT PCB	J453		nsp	nsp	CN,WIRE 1P	JUMPER (0.6/52MM) L045084006040S
FRONT PCB	J454		nsp	nsp	CN,WIRE 1P	JUMPER (0.6/52MM) L045084006040S
FRONT PCB	J455		nsp	nsp	CN,WIRE 1P	JUMPER (0.6/52MM) L045084006040S
FRONT PCB	J456		nsp	nsp	CN,WIRE 1P	JUMPER (0.6/52MM) L045084006040S
FRONT PCB	L401		00D9600010307	00D9600010307	COIL,FILTER-INDUCTOR	10UH-Q40/24M-R2.5-52RE 02TB D330100700520S
FRONT PCB	L402		00D9600128008	00D9600128008	COIL,FILTER-INDUCTOR	100UH-Q40/9M-R12-52RE 02TB D330101001020S
FRONT PCB	LED401,25		963209006790M	963209006790M	LED,ROUND	BZ-BB43V4V-2-FP5-TBF22A 5PI BLUE P=5MM K500056000130S
FRONT PCB	LED402		90M-HI101200R	90M-HI101200R	LED,ROUND	L-3XID-TNB5/4.7-90 3PI RED 5MM-REEL K500032000150S
FRONT PCB	LED403,25		963209006790M	963209006790M	LED,ROUND	BZ-BB43V4V-2-FP5-TBF22A 5PI BLUE P=5MM K500056000130S
FRONT PCB	Q401		00D2730485906	00D2730485906	SEMI,CHIP TR/NPN 2SC	KRC107S (NH)/SOT-23 REEL J522107500210S
FRONT PCB	Q402		00D9630102803	00D9630102803	SEMI,TR/GE PNP 2SA	2SA933S,0.3W/TO92M-REEL J5000933S0050S
FRONT PCB	Q403		90M-BA001650R	90M-BA001650R	SEMI,CHIP TR/NPN 2SC	KRC105S (NE) 0.2W/SOT-23 REEL J522010500210S
FRONT PCB	Q404		90M-BA001650R	90M-BA001650R	SEMI,CHIP TR/NPN 2SC	KRC105S (NE) 0.2W/SOT-23 REEL J522010500210S
FRONT PCB	Q405		90M-BA001650R	90M-BA001650R	SEMI,CHIP TR/NPN 2SC	KRC105S (NE) 0.2W/SOT-23 REEL J522010500210S
FRONT PCB	Q406		90M-BA001230R	90M-BA001230R	SEMI,CHIP TR/PNP 2SA	KRA102S(PB) 0.2W/SOT-23 REEL J520010200210S
FRONT PCB	R401		nsp	nsp	R,CHIP THICK	10K-J,1/16W-1608REEL C20001036M160S
FRONT PCB	R402		nsp	nsp	R,METAL FILM 100PPM	2.2-J,1/4W-R.REEL C0602R2063050S
FRONT PCB	R403		nsp	nsp	R,METAL FILM 100PPM	2.2-J,1/4W-R.REEL C0602R2063050S
FRONT PCB	R404		nsp	nsp	R,CHIP THICK	10K-J,1/16W-1608REEL C20001036M160S
FRONT PCB	R405		nsp	nsp	R,CHIP THICK	10K-J,1/16W-1608REEL C20001036M160S
FRONT PCB	R406		nsp	nsp	R,CHIP THICK	10K-J,1/16W-1608REEL C20001036M160S
FRONT PCB	R411		nsp	nsp	R,CARBON FILM	15K-J,1/5W-52RE-AX C00001536P520S
FRONT PCB	R412		nsp	nsp	R,CHIP THICK	470-J,1/16W-1608REEL C20004716M160S
FRONT PCB	R413		nsp	nsp	R,CHIP THICK	82K-J,1/16W-1608REEL C20008236M160S
FRONT PCB	R414		nsp	nsp	R,CHIP THICK	56K-J,1/16W-1608REEL C20005636M160S
FRONT PCB	R415		nsp	nsp	R,CHIP THICK	470-J,1/16W-1608REEL C20004716M160S
FRONT PCB	R416		nsp	nsp	R,CHIP THICK	56K-J,1/16W-1608REEL C20005636M160S
FRONT PCB	R417		nsp	nsp	R,CHIP THICK	470-J,1/16W-1608REEL C20004716M160S
FRONT PCB	R418		nsp	nsp	R,CHIP THICK	56K-J,1/16W-1608REEL C20005636M160S
FRONT PCB	R419		nsp	nsp	R,CHIP THICK	56K-J,1/16W-1608REEL C20005636M160S
FRONT PCB	R420		nsp	nsp	R,CHIP THICK	56K-J,1/16W-1608REEL C20005636M160S
FRONT PCB	R421		nsp	nsp	R,CHIP THICK	56K-J,1/16W-1608REEL C20005636M160S
FRONT PCB	R422		nsp	nsp	R,CHIP THICK	56K-J,1/16W-1608REEL C20005636M160S
FRONT PCB	R423		nsp	nsp	R,CHIP THICK	56K-J,1/16W-1608REEL C20005636M160S
FRONT PCB	R424		nsp	nsp	R,CHIP THICK	56K-J,1/16W-1608REEL C20005636M160S
FRONT PCB	R425		nsp	nsp	R,CHIP THICK	56K-J,1/16W-1608REEL C20005636M160S
FRONT PCB	R426		nsp	nsp	R,CHIP THICK	56K-J,1/16W-1608REEL C20005636M160S
FRONT PCB	R427		nsp	nsp	R,CHIP THICK	56K-J,1/16W-1608REEL C20005636M160S
FRONT PCB	R428		nsp	nsp	R,CHIP THICK	1K-J,1/16W-1608REEL C20001026M160S
FRONT PCB	R429		nsp	nsp	R,CHIP THICK	56K-J,1/16W-1608REEL C20005636M160S
FRONT PCB	R430		nsp	nsp	R,CHIP THICK	56K-J,1/16W-1608REEL C20005636M160S
FRONT PCB	R431		nsp	nsp	R,CARBON FILM	330-J,1/5W-52RE-AX C00003316P520S
FRONT PCB	R432		nsp	nsp	R,CHIP THICK	56K-J,1/16W-1608REEL C20005636M160S
FRONT PCB	R433		nsp	nsp	R,CHIP THICK	56K-J,1/16W-1608REEL C20005636M160S
FRONT PCB	R434		nsp	nsp	R,CHIP THICK	56K-J,1/16W-1608REEL C20005636M160S
FRONT PCB	R435		nsp	nsp	R,CHIP THICK	56K-J,1/16W-1608REEL C20005636M160S
FRONT PCB	R436		nsp	nsp	R,CHIP THICK	1K-J,1/16W-1608REEL C20001026M160S
FRONT PCB	R437		nsp	nsp	R,CARBON FILM	1K-J,1/5W-52RE-AX C00001026P520S
FRONT PCB	R438		nsp	nsp	R,CHIP THICK	56K-J,1/16W-1608REEL C20005636M160S
FRONT PCB	R439		nsp	nsp	R,CHIP THICK	56K-J,1/16W-1608REEL C20005636M160S
FRONT PCB	R440		nsp	nsp	R,CHIP THICK	56K-J,1/16W-1608REEL C20005636M160S
FRONT PCB	R441		nsp	nsp	R,CHIP THICK	56K-J,1/16W-1608REEL C20005636M160S
FRONT PCB	R442		nsp	nsp	R,CARBON FILM	2.2K-J,1/5W-52RE-AX C00002226P520S

NOTE : *nsp* PART IS LISTED FOR REFERENCE ONLY, D&M WILL NOT SUPPLY THESE PARTS.

P.C.B. NAME	POS. NO.	VERS. COLOR	PART NO. (FOR EUR)	PART NO. (MZ)	PART NAME	DESCRIPTION	
FRONT PCB	R443		nsp	nsp	R,CHIP THICK	56K-J,1/16W-1608REEL	C20005636M160S
FRONT PCB	R444		nsp	nsp	R,CHIP THICK	2.2K-J,1/16W-1608REEL	C20002226M160S
FRONT PCB	R445		nsp	nsp	R,CHIP THICK	56K-J,1/16W-1608REEL	C20005636M160S
FRONT PCB	R446		nsp	nsp	R,CHIP THICK	56K-J,1/16W-1608REEL	C20005636M160S
FRONT PCB	R447		nsp	nsp	R,CHIP THICK	56K-J,1/16W-1608REEL	C20005636M160S
FRONT PCB	R449		nsp	nsp	R,CHIP THICK	56K-J,1/16W-1608REEL	C20005636M160S
FRONT PCB	R450		nsp	nsp	R,CHIP THICK	3.9K-J,1/16W-1608REEL	C20003926M160S
FRONT PCB	R451		nsp	nsp	R,CARBON FILM	3.9K-J,1/5W-52RE-AX	C00003926P520S
FRONT PCB	R452		nsp	nsp	R,CHIP THICK	56K-J,1/16W-1608REEL	C20005636M160S
FRONT PCB	R453		nsp	nsp	R,CARBON FILM	7.5K-J,1/5W-52RE-AX	C00007526P520S
FRONT PCB	R454		nsp	nsp	R,CHIP THICK	1K-J,1/16W-1608REEL	C20001026M160S
FRONT PCB	R455		nsp	nsp	R,CHIP THICK	100-J,1/16W-1608REEL	C20001016M160S
FRONT PCB	R456		nsp	nsp	R,CHIP THICK	100-J,1/16W-1608REEL	C20001016M160S
FRONT PCB	R457		nsp	nsp	R,CHIP THICK	3.9K-J,1/16W-1608REEL	C20003926M160S
FRONT PCB	R458		nsp	nsp	R,CARBON FILM	180-J,1/5W-52RE-AX	C00001816P520S
FRONT PCB	R459		nsp	nsp	R,CHIP THICK	2.2K-J,1/16W-1608REEL	C20002226M160S
FRONT PCB	R460		nsp	nsp	R,CHIP THICK	7.5K-J,1/16W-1608REEL	C20007526M160S
FRONT PCB	R461		nsp	nsp	R,CARBON FILM	100-J,1/5W-52RE-AX	C00001016P520S
FRONT PCB	R489		nsp	nsp	R,CHIP THICK	220K-J,1/16W-1608REEL	C20002246M160S
FRONT PCB	R490		nsp	nsp	R,CHIP THICK	220K-J,1/16W-1608REEL	C20002246M160S
FRONT PCB	RMC401		963307006870M	963307006870M	MODULE,REMOCON	BRM-15B6-2T-FB2.4-LC13.9 36KHZ P=2.54MM	E940156200010S
FRONT PCB	▲ SW401,28		00D9630045708	00D9630045708	SW,TACT	SKHV10920A,5MM/260G-REEL	G180000270010S
FRONT PCB	SW402,28		00D9630045708	00D9630045708	SW,TACT	SKHV10920A,5MM/260G-REEL	G180000270010S
FRONT PCB	SW403,28		00D9630045708	00D9630045708	SW,TACT	SKHV10920A,5MM/260G-REEL	G180000270010S
FRONT PCB	SW404,28		00D9630045708	00D9630045708	SW,TACT	SKHV10920A,5MM/260G-REEL	G180000270010S
FRONT PCB	SW405,28		00D9630045708	00D9630045708	SW,TACT	SKHV10920A,5MM/260G-REEL	G180000270010S
FRONT PCB	SW406,28		00D9630045708	00D9630045708	SW,TACT	SKHV10920A,5MM/260G-REEL	G180000270010S
FRONT PCB	SW407,28		00D9630045708	00D9630045708	SW,TACT	SKHV10920A,5MM/260G-REEL	G180000270010S
FRONT PCB	SW408,28		00D9630045708	00D9630045708	SW,TACT	SKHV10920A,5MM/260G-REEL	G180000270010S
FRONT PCB	SW409,28		00D9630045708	00D9630045708	SW,TACT	SKHV10920A,5MM/260G-REEL	G180000270010S
FRONT PCB	SW410,28		00D9630045708	00D9630045708	SW,TACT	SKHV10920A,5MM/260G-REEL	G180000270010S
FRONT PCB	SW411,28		00D9630045708	00D9630045708	SW,TACT	SKHV10920A,5MM/260G-REEL	G180000270010S
FRONT PCB	SW412,28		00D9630045708	00D9630045708	SW,TACT	SKHV10920A,5MM/260G-REEL	G180000270010S
FRONT PCB	SW413,28		00D9630045708	00D9630045708	SW,TACT	SKHV10920A,5MM/260G-REEL	G180000270010S
FRONT PCB	SW414,28	U1B	nsp	00D9630045708	SW,TACT	SKHV10920A,5MM/260G-REEL	G180000270010S
FRONT PCB	VEC401,29		963667006880M	963667006880M	SW,ENCODER	EC16B24T01B2-ZZZ	G121162401200S
FRONT PCB	VEC402,23		963667006890M	963667006890M	SW,ENCODER	EC16B24SAABCZZZ L=20MM 16MM SIZE 24 PUISES	G121162400050S
FRONT PCB	ZD401		00D9630047405	00D9630047405	D,ZENER	MTZJ7.5B-0.5W/5MA-52MM	K06007R544520S
					H/P PWB(7020-06830-000-0S)		
GUIDE-H/S PCB	*		nsp	nsp	P.C.B SUB ASSY	NR1501FB(MARANTZ)/GUIDE-H/S	7028068313010
GUIDE-H/S PCB	CLAMP601,34		nsp	nsp	CLAMP	HMX9800(ON)(HAITAI) (W=2.6,L=50)/ WIRE(SOLDER)	4330000120000S
H/P PCB	13,14		nsp	nsp	P.C.B SUB ASSY	NR1501FB(MARANTZ)/H/P	7028068302010
H/P PCB	BD401		90M-FN000270R	90M-FN000270R	COIL,BEAD	CBW160808U121T 120ohm SMD1608 TYPE	D340160811210S
H/P PCB	BD402		90M-FN000270R	90M-FN000270R	COIL,BEAD	CBW160808U121T 120ohm SMD1608 TYPE	D340160811210S
H/P PCB	BD403		90M-FN000270R	90M-FN000270R	COIL,BEAD	CBW160808U121T 120ohm SMD1608 TYPE	D340160811210S
H/P PCB	BD404		90M-FN000270R	90M-FN000270R	COIL,BEAD	CBW160808U121T 120ohm SMD1608 TYPE	D340160811210S
H/P PCB	BD405		90M-FN000270R	90M-FN000270R	COIL,BEAD	CBW160808U121T 120ohm SMD1608 TYPE	D340160811210S
H/P PCB	BD406		90M-FN000270R	90M-FN000270R	COIL,BEAD	CBW160808U121T 120ohm SMD1608 TYPE	D340160811210S
H/P PCB	BD407		90M-FN000270R	90M-FN000270R	COIL,BEAD	CBW160808U121T 120ohm SMD1608 TYPE	D340160811210S
H/P PCB	BD408		90M-FN000270R	90M-FN000270R	COIL,BEAD	CBW160808U121T 120ohm SMD1608 TYPE	D340160811210S
H/P PCB	BD412		90M-FN000270R	90M-FN000270R	COIL,BEAD	CBW160808U121T 120ohm SMD1608 TYPE	D340160811210S
H/P PCB	BD413		90M-FN000270R	90M-FN000270R	COIL,BEAD	CBW160808U121T 120ohm SMD1608 TYPE	D340160811210S
H/P PCB	C438		00D9639004698	00D9639004698	C,CERAMIC CHIP HIK	X7R0.01UF-K/50V-1608REEL	D01110377160S
H/P PCB	C440		00D9639004698	00D9639004698	C,CERAMIC CHIP HIK	X7R0.01UF-K/50V-1608REEL	D01110377160S
H/P PCB	C441		nsp	nsp	C,ELECT GE 85C	1UF-M/50V,3*5-5RE SY (Pb Free)	D040010087090S
H/P PCB	C444		00D9630223805	00D9630223805	C,CERAMIC CHIP T.C	COG33PF-J/50V-1608REEL	D010330167160S
H/P PCB	C445		00MDK96221300	00MDK96221300	C,CERAMIC CHIP T.C	COG220PF-J/50V-1608REEL	D010221167160S
H/P PCB	C446		00D9630223601	00D9630223601	C,CERAMIC CHIP T.C	COG100PF-J/50V-1608REEL	D010101167160S
H/P PCB	C449		00MDK96221300	00MDK96221300	C,CERAMIC CHIP T.C	COG220PF-J/50V-1608REEL	D010221167160S
H/P PCB	C451		00MOA10601620	00MOA10601620	C,ELECT GE 85C	10UF-M/16V,3*5-5RE SY	D040100083050S
H/P PCB	C452		00D9630223805	00D9630223805	C,CERAMIC CHIP T.C	COG33PF-J/50V-1608REEL	D010330167160S
H/P PCB	C454		00D9630223601	00D9630223601	C,CERAMIC CHIP T.C	COG100PF-J/50V-1608REEL	D010101167160S
H/P PCB	C456		00MDK96104300	00MDK96104300	C,CERAMIC CHIP HIK	X7R)0.1UF-K/50V-1608REEL TDK	D011104577162S
H/P PCB	C457		nsp	nsp	C,ELECT GE 85C	1UF-M/50V,3*5-5RE SY (Pb Free)	D040010087090S
H/P PCB	C458		00MDK96104300	00MDK96104300	C,CERAMIC CHIP HIK	X7R)0.1UF-K/50V-1608REEL TDK	D011104577162S
H/P PCB	C460		00MDK96104300	00MDK96104300	C,CERAMIC CHIP HIK	X7R)0.1UF-K/50V-1608REEL TDK	D011104577162S
H/P PCB	CN404		nsp	nsp	CN,WIRE 2MM	360MM/6P 20010HS-06=CKM2002HV-06 WH1007#26	L002361060010S
H/P PCB	D405		90M-HZ200220R	90M-HZ200220R	D,SWITCHING CHIP	KDS4148U FAST SWITCHING SOD-323(USC)	K005041480030S
H/P PCB	D406		90M-HZ200220R	90M-HZ200220R	D,SWITCHING CHIP	KDS4148U FAST SWITCHING SOD-323(USC)	K005041480030S
H/P PCB	D409		90M-HZ200220R	90M-HZ200220R	D,SWITCHING CHIP	KDS4148U FAST SWITCHING SOD-323(USC)	K005041480030S
H/P PCB	D410		90M-HZ200220R	90M-HZ200220R	D,SWITCHING CHIP	KDS4148U FAST SWITCHING SOD-323(USC)	K005041480030S

NOTE : "nsp" PART IS LISTED FOR REFERENCE ONLY, D&M WILL NOT SUPPLY THESE PARTS.

P.C.B. NAME	POS. NO.	VERS. COLOR	PART NO. (FOR EUR)	PART NO. (MZ)	PART NAME	DESCRIPTION	
H/P PCB	IC702		963239001880S	963239001880S	IC,LINEAR OP	AZ4580M-TRE1-SOIC8P/DUAL LOW NOISE OP AMP	J121458000020S
H/P PCB	J409		nsp	nsp	CN,WIRE 1P	JUMPER (0.6/52MM)	L045084006040S
H/P PCB	J410		nsp	nsp	R,CHIP THICK	0-J,1/16W-1608REEL	C2000006M160S
H/P PCB	JACK401,13		963643006900M	963643006900M	JACK,D6.5	PHONE (YUQIU) D6.5 9P SILVER PJ-612A	G402PJ612AN0YS
H/P PCB	JACK403,15		963643006910M	963643006910M	JACK,D3.5	MINIJACK(PJ-3234A-4)SILVER RINNG	G401PJ323A40YS
H/P PCB	LUG403		nsp	nsp	RING,TER WIRE	250,200MM/1P 61640BS(3.2PI),B1813TOP BK1007#22	8410251010010S
H/P PCB	R464		nsp	nsp	R,CHIP THICK	47K-J,1/16W-1608REEL	C20004736M160S
H/P PCB	R466		nsp	nsp	R,CHIP THICK	240-J,1/16W-1608REEL	C20002416M160S
H/P PCB	R467		nsp	nsp	R,CHIP THICK	47-J,1/16W-1608REEL	C20004706M160S
H/P PCB	R469		nsp	nsp	R,CHIP THICK	240-J,1/16W-1608REEL	C20002416M160S
H/P PCB	R470		nsp	nsp	R,CHIP THICK	33K-J,1/16W-1608REEL	C20003336M160S
H/P PCB	R471		nsp	nsp	R,CHIP THICK	240-J,1/16W-1608REEL	C20002416M160S
H/P PCB	R473		nsp	nsp	R,CHIP THICK	47-J,1/16W-1608REEL	C20004706M160S
H/P PCB	R474		nsp	nsp	R,CHIP THICK	240-J,1/16W-1608REEL	C20002416M160S
H/P PCB	R475		nsp	nsp	R,CHIP THICK	4.7K-J,1/16W-1608REEL	C20004726M160S
H/P PCB	R477		nsp	nsp	R,CHIP THICK	100K-J,1/16W-1608REEL	C20001046M160S
H/P PCB	R478		nsp	nsp	R,CHIP THICK	47-J,1/16W-1608REEL	C20004706M160S
H/P PCB	R481		nsp	nsp	R,CHIP THICK	1K-J,1/16W-1608REEL	C20001026M160S
H/P PCB	R482		nsp	nsp	R,CHIP THICK	33K-J,1/16W-1608REEL	C20003336M160S
H/P PCB	R483		nsp	nsp	R,CHIP THICK	47-J,1/16W-1608REEL	C20004706M160S
H/P PCB	R484		nsp	nsp	R,CHIP THICK	1K-J,1/16W-1608REEL	C20001026M160S
H/P PCB	R485		nsp	nsp	R,CHIP THICK	4.7K-J,1/16W-1608REEL	C20004726M160S
H/P PCB	R486		nsp	nsp	R,CHIP THICK	100K-J,1/16W-1608REEL	C20001046M160S
H/P PCB	R487		nsp	nsp	R,CHIP THICK	100K-J,1/16W-1608REEL	C20001046M160S
H/P PCB	R488		nsp	nsp	R,CHIP THICK	100-J,1/16W-1608REEL	C20001016M160S
H/P PCB	ZD402		00D9630382500	00D9630382500	D,ZENER CHIP	0.2W 5.1V UDZ S SERIES (UMD2 TYPE)	K06605R14P400S
H/P PCB	ZD403		00D9630382500	00D9630382500	D,ZENER CHIP	0.2W 5.1V UDZ S SERIES (UMD2 TYPE)	K06605R14P400S
H/P PCB	ZD404		00D9630382500	00D9630382500	D,ZENER CHIP	0.2W 5.1V UDZ S SERIES (UMD2 TYPE)	K06605R14P400S
HDMI PCB(7020-06832-000-0S)							
HDMI PCB	55		nsp	nsp	P.C.B SUB ASSY	NR1501FB(MARANTZ)/HDMI	7028068321010
HDMI PCB	*		963189009350M	963189009350M	P.C.B TOTAL ASSY	NR1501 HDMI PWB ASSY	7025HK0819055
NOTE : ⚠ After replacing the HDMI PCB ASSY, overwrite the newest SUB CPU firmware. (Refer to "6. UPDATE FIRMWARE" (11 page).)							
HDMI PCB	C1001		963132006940M	963132006940M	C,CERAMIC CHIP HIK	X7R)1000PF-K/50V-1005REEL	D011102177101S
HDMI PCB	C1002		963132006940M	963132006940M	C,CERAMIC CHIP HIK	X7R)1000PF-K/50V-1005REEL	D011102177101S
HDMI PCB	C1003		963132006940M	963132006940M	C,CERAMIC CHIP HIK	X7R)1000PF-K/50V-1005REEL	D011102177101S
HDMI PCB	C1004		963132006940M	963132006940M	C,CERAMIC CHIP HIK	X7R)1000PF-K/50V-1005REEL	D011102177101S
HDMI PCB	C1011		963132006950M	963132006950M	C,CERAMIC CHIP HIK	COG)1PF-C/50V-1005REEL	D011010107100S
HDMI PCB	C1012		963132006950M	963132006950M	C,CERAMIC CHIP HIK	COG)1PF-C/50V-1005REEL	D011010107100S
HDMI PCB	C1013		963132006950M	963132006950M	C,CERAMIC CHIP HIK	COG)1PF-C/50V-1005REEL	D011010107100S
HDMI PCB	C1014		963132006950M	963132006950M	C,CERAMIC CHIP HIK	COG)1PF-C/50V-1005REEL	D011010107100S
HDMI PCB	C1015		963132006950M	963132006950M	C,CERAMIC CHIP HIK	COG)1PF-C/50V-1005REEL	D011010107100S
HDMI PCB	C1016		963132006950M	963132006950M	C,CERAMIC CHIP HIK	COG)1PF-C/50V-1005REEL	D011010107100S
HDMI PCB	C1017		963132006950M	963132006950M	C,CERAMIC CHIP HIK	COG)1PF-C/50V-1005REEL	D011010107100S
HDMI PCB	C1018		963132006950M	963132006950M	C,CERAMIC CHIP HIK	COG)1PF-C/50V-1005REEL	D011010107100S
HDMI PCB	C1051		963132006960M	963132006960M	C,CERAMIC CHIP HIK	X5R)10UF-K/25V-3216REEL GRM31CR61E106K	D011106574300S
HDMI PCB	C1052		963132006940M	963132006940M	C,CERAMIC CHIP HIK	X7R)1000PF-K/50V-1005REEL	D011102177101S
HDMI PCB	C1054		963132006970M	963132006970M	C,CERAMIC CHIP HIK	X5R)10UF-K/16V-2012REEL GRM21BR61C106KE15L	D011106573200S
HDMI PCB	C1055		963132006970M	963132006970M	C,CERAMIC CHIP HIK	X5R)10UF-K/16V-2012REEL GRM21BR61C106KE15L	D011106573200S
HDMI PCB	C1056		963132006960M	963132006960M	C,CERAMIC CHIP HIK	X5R)10UF-K/25V-3216REEL GRM31CR61E106K	D011106574300S
HDMI PCB	C1057		963132006940M	963132006940M	C,CERAMIC CHIP HIK	X7R)1000PF-K/50V-1005REEL	D011102177101S
HDMI PCB	C1058		963132006970M	963132006970M	C,CERAMIC CHIP HIK	X5R)10UF-K/16V-2012REEL GRM21BR61C106KE15L	D011106573200S
HDMI PCB	C1059		963132006970M	963132006970M	C,CERAMIC CHIP HIK	X5R)10UF-K/16V-2012REEL GRM21BR61C106KE15L	D011106573200S
HDMI PCB	C1060		963132006960M	963132006960M	C,CERAMIC CHIP HIK	X5R)10UF-K/25V-3216REEL GRM31CR61E106K	D011106574300S
HDMI PCB	C1061		963132006960M	963132006960M	C,CERAMIC CHIP HIK	X5R)10UF-K/25V-3216REEL GRM31CR61E106K	D011106574300S
HDMI PCB	C1062		963132006970M	963132006970M	C,CERAMIC CHIP HIK	X5R)10UF-K/16V-2012REEL GRM21BR61C106KE15L	D011106573200S
HDMI PCB	C1063		963132006970M	963132006970M	C,CERAMIC CHIP HIK	X5R)10UF-K/16V-2012REEL GRM21BR61C106KE15L	D011106573200S
HDMI PCB	C1064		963132006970M	963132006970M	C,CERAMIC CHIP HIK	X5R)10UF-K/16V-2012REEL GRM21BR61C106KE15L	D011106573200S
HDMI PCB	C1065		963132006970M	963132006970M	C,CERAMIC CHIP HIK	X5R)10UF-K/16V-2012REEL GRM21BR61C106KE15L	D011106573200S
HDMI PCB	C1101		00D9630325004	00D9630325004	C,ELECT CHIP(GE)	100UF-MVG/6.3V,5.3*5.9*5.3 REEL (Z8156) SY	D050101081650S
HDMI PCB	C1102		963132006990M	963132006990M	C,CERAMIC CHIP HIK	X7R)0.1UF-K/16V-1005REEL	D011104177101S
HDMI PCB	C1103		963132006990M	963132006990M	C,CERAMIC CHIP HIK	X7R)0.1UF-K/16V-1005REEL	D011104177101S
HDMI PCB	C1104		963139007000M	963139007000M	C,ELECT CHIP(GE)	220UF-M/6.3V,6.6*7.2*5.7 REEL (Z8157) (F55) SY	D050221081200S
HDMI PCB	C1105		963132006990M	963132006990M	C,CERAMIC CHIP HIK	X7R)0.1UF-K/16V-1005REEL	D011104177101S
HDMI PCB	C1106		963132006940M	963132006940M	C,CERAMIC CHIP HIK	X7R)1000PF-K/50V-1005REEL	D011102177101S
HDMI PCB	C1107		963132006940M	963132006940M	C,CERAMIC CHIP HIK	X7R)1000PF-K/50V-1005REEL	D011102177101S

NOTE : *nsp* PART IS LISTED FOR REFERENCE ONLY, D&M WILL NOT SUPPLY THESE PARTS.

P.C.B. NAME	POS. NO.	VERS. COLOR	PART NO. (FOR EUR)	PART NO. (MZ)	PART NAME	DESCRIPTION
HDMI PCB	C1330		963139007000M	963139007000M	C,ELECT CHIP(GE)	220UF-M/6.3V,6.6*7.2*5.7 REEL (Z8157) (F55) SY D050221081200S
HDMI PCB	C1331		963132007010M	963132007010M	C,CERAMIC CHIP HIK	X7R)0.01UF-K/16V-1005REEL D011103177101S
HDMI PCB	C1332		963132006990M	963132006990M	C,CERAMIC CHIP HIK	X7R)0.1UF-K/16V-1005REEL D011104177101S
HDMI PCB	C1333		00D9630275808	00D9630275808	C,CERAMIC CHIP T.C	COG18PF-J/50V-1608REEL D010180167160S
HDMI PCB	C1334		00D9630275808	00D9630275808	C,CERAMIC CHIP T.C	COG18PF-J/50V-1608REEL D010180167160S
HDMI PCB	C1335		00D9630338509	00D9630338509	C,ELECT CHIP(GE)	10UF-MVG/16V,4*3*5.1*5.3 REEL (Z8155) SY D050100083460S
HDMI PCB	C1336		963132006990M	963132006990M	C,CERAMIC CHIP HIK	X7R)0.1UF-K/16V-1005REEL D011104177101S
HDMI PCB	C1401		00D9630325004	00D9630325004	C,ELECT CHIP(GE)	100UF-MVG/6.3V,5.3*5.9*5.3 3REEL (Z8156) SY D050101081650S
HDMI PCB	C1402		963132007010M	963132007010M	C,CERAMIC CHIP HIK	X7R)0.01UF-K/16V-1005REEL D011103177101S
HDMI PCB	C1403		963132007050M	963132007050M	C,CERAMIC CHIP HIK	COG)10PF-D/50V-1005REEL D011100117101S
HDMI PCB	C1404		963132007050M	963132007050M	C,CERAMIC CHIP HIK	COG)10PF-D/50V-1005REEL D011100117101S
HDMI PCB	C1405		963132007010M	963132007010M	C,CERAMIC CHIP HIK	X7R)0.01UF-K/16V-1005REEL D011103177101S
HDMI PCB	C1406		963132007010M	963132007010M	C,CERAMIC CHIP HIK	X7R)0.01UF-K/16V-1005REEL D011103177101S
HDMI PCB	C1407		963132007010M	963132007010M	C,CERAMIC CHIP HIK	X7R)0.01UF-K/16V-1005REEL D011103177101S
HDMI PCB	C1501		00D9630338509	00D9630338509	C,ELECT CHIP(GE)	10UF-MVG/16V,4*3*5.1*5.3 REEL (Z8155) SY D050100083460S
HDMI PCB	C1502		00D9630338509	00D9630338509	C,ELECT CHIP(GE)	10UF-MVG/16V,4*3*5.1*5.3 REEL (Z8155) SY D050100083460S
HDMI PCB	C1503		963132007060M	963132007060M	C,CERAMIC CHIP HIK	COG)220PF-J/50V-1005REEL D011221167101S
HDMI PCB	C1504		963132007060M	963132007060M	C,CERAMIC CHIP HIK	COG)220PF-J/50V-1005REEL D011221167101S
HDMI PCB	C1505		963132006990M	963132006990M	C,CERAMIC CHIP HIK	X7R)0.1UF-K/16V-1005REEL D011104177101S
HDMI PCB	C1506		963139007000M	963139007000M	C,ELECT CHIP(GE)	220UF-M/6.3V,6.6*7.2*5.7 REEL (Z8157) (F55) SY D050221081200S
HDMI PCB	C1507		963132006990M	963132006990M	C,CERAMIC CHIP HIK	X7R)0.1UF-K/16V-1005REEL D011104177101S
HDMI PCB	C1508		963134000450S	963134000450S	C,ELECT CHIP(GE)	100UF-MVG/16V,6.6*7.2*5.7 REEL (Z8157) SY D050101083660S
HDMI PCB	C1509		00D9630338509	00D9630338509	C,ELECT CHIP(GE)	10UF-MVG/16V,4*3*5.1*5.3 REEL (Z8155) SY D050100083460S
HDMI PCB	C1510		963132006990M	963132006990M	C,CERAMIC CHIP HIK	X7R)0.1UF-K/16V-1005REEL D011104177101S
HDMI PCB	C1511		963132007010M	963132007010M	C,CERAMIC CHIP HIK	X7R)0.01UF-K/16V-1005REEL D011103177101S
HDMI PCB	C1512		963134000450S	963134000450S	C,ELECT CHIP(GE)	100UF-MVG/16V,6.6*7.2*5.7 REEL (Z8157) SY D050101083660S
HDMI PCB	C1513		963132007070M	963132007070M	C,CERAMIC CHIP HIK	COG)100PF-J/50V-1005REEL D011101167101S
HDMI PCB	C1514		963132007070M	963132007070M	C,CERAMIC CHIP HIK	COG)100PF-J/50V-1005REEL D011101167101S
HDMI PCB	C1515		963132007010M	963132007010M	C,CERAMIC CHIP HIK	X7R)0.01UF-K/16V-1005REEL D011103177101S
HDMI PCB	C1516		963132007080M	963132007080M	C,CERAMIC CHIP HIK	COG)47PF-J/50V-1005REEL D011470167101S
HDMI PCB	C1517		963132006990M	963132006990M	C,CERAMIC CHIP HIK	X7R)0.1UF-K/16V-1005REEL D011104177101S
HDMI PCB	C1518		963132007090M	963132007090M	C,CERAMIC CHIP HIK	COG)15PF-J/50V-1005REEL D011150167101S
HDMI PCB	C1519		00D9630325004	00D9630325004	C,ELECT CHIP(GE)	100UF-MVG/6.3V,5.3*5.9*5.3 3REEL (Z8156) SY D050101081650S
HDMI PCB	C1520		963132006990M	963132006990M	C,CERAMIC CHIP HIK	X7R)0.1UF-K/16V-1005REEL D011104177101S
HDMI PCB	C1521		00D9630338509	00D9630338509	C,ELECT CHIP(GE)	10UF-MVG/16V,4*3*5.1*5.3 REEL (Z8155) SY D050100083460S
HDMI PCB	C1522		963132006990M	963132006990M	C,CERAMIC CHIP HIK	X7R)0.1UF-K/16V-1005REEL D011104177101S
HDMI PCB	C1523		00D9630338509	00D9630338509	C,ELECT CHIP(GE)	10UF-MVG/16V,4*3*5.1*5.3 REEL (Z8155) SY D050100083460S
HDMI PCB	C1524		963132006990M	963132006990M	C,CERAMIC CHIP HIK	X7R)0.1UF-K/16V-1005REEL D011104177101S
HDMI PCB	C1525		00D9639004708	00D9639004708	C,CERAMIC CHIP HIK	X7R)0.1UF-K/50V-1608REEL D011104577160S
HDMI PCB	C1526		00D9639004708	00D9639004708	C,CERAMIC CHIP HIK	X7R)0.1UF-K/50V-1608REEL D011104577160S
HDMI PCB	C1601		00D9630338509	00D9630338509	C,ELECT CHIP(GE)	10UF-MVG/16V,4*3*5.1*5.3 REEL (Z8155) SY D050100083460S
HDMI PCB	C1602		963132006990M	963132006990M	C,CERAMIC CHIP HIK	X7R)0.1UF-K/16V-1005REEL D011104177101S
HDMI PCB	C1603		963132006990M	963132006990M	C,CERAMIC CHIP HIK	X7R)0.1UF-K/16V-1005REEL D011104177101S
HDMI PCB	C1604		00D9630325004	00D9630325004	C,ELECT CHIP(GE)	100UF-MVG/6.3V,5.3*5.9*5.3 3REEL (Z8156) SY D050101081650S
HDMI PCB	C1605		963132007010M	963132007010M	C,CERAMIC CHIP HIK	X7R)0.01UF-K/16V-1005REEL D011103177101S
HDMI PCB	C1606		963132007010M	963132007010M	C,CERAMIC CHIP HIK	X7R)0.01UF-K/16V-1005REEL D011103177101S
HDMI PCB	C1607		963132006990M	963132006990M	C,CERAMIC CHIP HIK	X7R)0.1UF-K/16V-1005REEL D011104177101S
HDMI PCB	C1608		963132006990M	963132006990M	C,CERAMIC CHIP HIK	X7R)0.1UF-K/16V-1005REEL D011104177101S
HDMI PCB	C1609		963132006990M	963132006990M	C,CERAMIC CHIP HIK	X7R)0.1UF-K/16V-1005REEL D011104177101S
HDMI PCB	C1610		963139007100M	963139007100M	C,ELECT CHIP(GE)	2.2UF-MVG/50V,3.3*3.7*5.2 REEL (Z8154) SY D0502R2083200S
HDMI PCB	C1611		00D9639006528	00D9639006528	C,CERAMIC CHIP T.C	COG20PF-J/50V-1608REEL D010200167160S
HDMI PCB	C1612		00D9639006528	00D9639006528	C,CERAMIC CHIP T.C	COG20PF-J/50V-1608REEL D010200167160S
HDMI PCB	C1613		00D9630325004	00D9630325004	C,ELECT CHIP(GE)	100UF-MVG/6.3V,5.3*5.9*5.3 3REEL (Z8156) SY D050101081650S
HDMI PCB	C1614		963132006990M	963132006990M	C,CERAMIC CHIP HIK	X7R)0.1UF-K/16V-1005REEL D011104177101S
HDMI PCB	C1615		963132006990M	963132006990M	C,CERAMIC CHIP HIK	X7R)0.1UF-K/16V-1005REEL D011104177101S
HDMI PCB	C1616		963139007000M	963139007000M	C,ELECT CHIP(GE)	220UF-M/6.3V,6.6*7.2*5.7 REEL (Z8157) (F55) SY D050221081200S
HDMI PCB	C1617		963139007000M	963139007000M	C,ELECT CHIP(GE)	220UF-M/6.3V,6.6*7.2*5.7 REEL (Z8157) (F55) SY D050221081200S
HDMI PCB	C1618		963132006990M	963132006990M	C,CERAMIC CHIP HIK	X7R)0.1UF-K/16V-1005REEL D011104177101S
HDMI PCB	C1619		963132006990M	963132006990M	C,CERAMIC CHIP HIK	X7R)0.1UF-K/16V-1005REEL D011104177101S
HDMI PCB	C1620		963132006990M	963132006990M	C,CERAMIC CHIP HIK	X7R)0.1UF-K/16V-1005REEL D011104177101S
HDMI PCB	C1621		963132006990M	963132006990M	C,CERAMIC CHIP HIK	X7R)0.1UF-K/16V-1005REEL D011104177101S
HDMI PCB	C1622		963132006990M	963132006990M	C,CERAMIC CHIP HIK	X7R)0.1UF-K/16V-1005REEL D011104177101S
HDMI PCB	C1623		963132006990M	963132006990M	C,CERAMIC CHIP HIK	X7R)0.1UF-K/16V-1005REEL D011104177101S
HDMI PCB	C1624		963132006990M	963132006990M	C,CERAMIC CHIP HIK	X7R)0.1UF-K/16V-1005REEL D011104177101S
HDMI PCB	C1625		963132006990M	963132006990M	C,CERAMIC CHIP HIK	X7R)0.1UF-K/16V-1005REEL D011104177101S
HDMI PCB	C1626		963132007080M	963132007080M	C,CERAMIC CHIP HIK	COG)47PF-J/50V-1005REEL D011470167101S
HDMI PCB	C1627		963132007010M	963132007010M	C,CERAMIC CHIP HIK	X7R)0.01UF-K/16V-1005REEL D011103177101S
HDMI PCB	C1628		963132006990M	963132006990M	C,CERAMIC CHIP HIK	X7R)0.1UF-K/16V-1005REEL D011104177101S
HDMI PCB	C1629		963132006990M	963132006990M	C,CERAMIC CHIP HIK	X7R)0.1UF-K/16V-1005REEL D011104177101S
HDMI PCB	C1630		963132006990M	963132006990M	C,CERAMIC CHIP HIK	X7R)0.1UF-K/16V-1005REEL D011104177101S
HDMI PCB	C1631		963132006990M	963132006990M	C,CERAMIC CHIP HIK	X7R)0.1UF-K/16V-1005REEL D011104177101S
HDMI PCB	C1632		963132007010M	963132007010M	C,CERAMIC CHIP HIK	X7R)0.01UF-K/16V-1005REEL D011103177101S
HDMI PCB	C1633		963132007080M	963132007080M	C,CERAMIC CHIP HIK	COG)47PF-J/50V-1005REEL D011470167101S
HDMI PCB	C1634		963132007080M	963132007080M	C,CERAMIC CHIP HIK	COG)47PF-J/50V-1005REEL D011470167101S
HDMI PCB	C1635		00D9630325004	00D9630325004	C,ELECT CHIP(GE)	100UF-MVG/6.3V,5.3*5.9*5.3 3REEL (Z8156) SY D050101081650S
HDMI PCB	C1636		963132007010M	963132007010M	C,CERAMIC CHIP HIK	X7R)0.01UF-K/16V-1005REEL D011103177101S

NOTE : *nsp* PART IS LISTED FOR REFERENCE ONLY, D&M WILL NOT SUPPLY THESE PARTS.

P.C.B. NAME	POS. NO.	VERS. COLOR	PART NO. (FOR EUR)	PART NO. (MZ)	PART NAME	DESCRIPTION	
HDMI PCB	C1637		963132007010M	963132007010M	C,CERAMIC CHIP HIK	X7R)0.01UF-K/16V-1005REEL	D011103177101S
HDMI PCB	C1638		963132007010M	963132007010M	C,CERAMIC CHIP HIK	X7R)0.01UF-K/16V-1005REEL	D011103177101S
HDMI PCB	C1639		963132007010M	963132007010M	C,CERAMIC CHIP HIK	X7R)0.01UF-K/16V-1005REEL	D011103177101S
HDMI PCB	C1640		963132007010M	963132007010M	C,CERAMIC CHIP HIK	X7R)0.01UF-K/16V-1005REEL	D011103177101S
HDMI PCB	C1641		00D9630325004	00D9630325004	C,ELECT CHIP(GE)	100UF-MVG/6.3V,5.3*5.9*5.3 3REEL (Z8156) SY	D050101081650S
HDMI PCB	C1642		963132007010M	963132007010M	C,CERAMIC CHIP HIK	X7R)0.01UF-K/16V-1005REEL	D011103177101S
HDMI PCB	C1643		963132007010M	963132007010M	C,CERAMIC CHIP HIK	X7R)0.01UF-K/16V-1005REEL	D011103177101S
HDMI PCB	C1644		00D9630325004	00D9630325004	C,ELECT CHIP(GE)	100UF-MVG/6.3V,5.3*5.9*5.3 3REEL (Z8156) SY	D050101081650S
HDMI PCB	C1645		963132006990M	963132006990M	C,CERAMIC CHIP HIK	X7R)0.1UF-K/16V-1005REEL	D011104177101S
HDMI PCB	C1646		963132007110M	963132007110M	C,CERAMIC CHIP T.C	COG4.7PF-C/50V-1608REEL	D0104R7107160S
HDMI PCB	CN1001		00D9630085506	00D9630085506	CN.WAFER 2.0MM	TUC-P09X-B1 BD-TO-BD 9P HOUSING ST (35237-09)	L101100030910S
HDMI PCB	CN1002		00D9630086107	00D9630086107	CN.WAFER 2.0MM	TUC-P16X-B1 BD-TO-BD 16P HOUSING ST (35237-16)	L101100031610S
HDMI PCB	CN1003		00D9630086107	00D9630086107	CN.WAFER 2.0MM	TUC-P16X-B1 BD-TO-BD 16P HOUSING ST (35237-16)	L101100031610S
HDMI PCB	CN1101		00D9630086505	00D9630086505	CN.WAFER 2.0MM	TUC-P07X-B1 BD-TO-BD 7P HOUSING ST (35237-07)	L101100030710S
HDMI PCB	D1001		963209007120M	963209007120M	D,ESD CHIP	CDS2C05HDMI1 CERADIODE ESD FOR HDMI 1005REEL	K067020500010S
HDMI PCB	D1002		963209007120M	963209007120M	D,ESD CHIP	CDS2C05HDMI1 CERADIODE ESD FOR HDMI 1005REEL	K067020500010S
HDMI PCB	D1003		963209007120M	963209007120M	D,ESD CHIP	CDS2C05HDMI1 CERADIODE ESD FOR HDMI 1005REEL	K067020500010S
HDMI PCB	D1004		963209007120M	963209007120M	D,ESD CHIP	CDS2C05HDMI1 CERADIODE ESD FOR HDMI 1005REEL	K067020500010S
HDMI PCB	D1005		963209007120M	963209007120M	D,ESD CHIP	CDS2C05HDMI1 CERADIODE ESD FOR HDMI 1005REEL	K067020500010S
HDMI PCB	D1006		963209007120M	963209007120M	D,ESD CHIP	CDS2C05HDMI1 CERADIODE ESD FOR HDMI 1005REEL	K067020500010S
HDMI PCB	D1007		963209007120M	963209007120M	D,ESD CHIP	CDS2C05HDMI1 CERADIODE ESD FOR HDMI 1005REEL	K067020500010S
HDMI PCB	D1008		963209007120M	963209007120M	D,ESD CHIP	CDS2C05HDMI1 CERADIODE ESD FOR HDMI 1005REEL	K067020500010S
HDMI PCB	D1009		963209007120M	963209007120M	D,ESD CHIP	CDS2C05HDMI1 CERADIODE ESD FOR HDMI 1005REEL	K067020500010S
HDMI PCB	D1010		963209007120M	963209007120M	D,ESD CHIP	CDS2C05HDMI1 CERADIODE ESD FOR HDMI 1005REEL	K067020500010S
HDMI PCB	D1011		963209007120M	963209007120M	D,ESD CHIP	CDS2C05HDMI1 CERADIODE ESD FOR HDMI 1005REEL	K067020500010S
HDMI PCB	D1012		963209007120M	963209007120M	D,ESD CHIP	CDS2C05HDMI1 CERADIODE ESD FOR HDMI 1005REEL	K067020500010S
HDMI PCB	D1013		963209007120M	963209007120M	D,ESD CHIP	CDS2C05HDMI1 CERADIODE ESD FOR HDMI 1005REEL	K067020500010S
HDMI PCB	D1014		963209007120M	963209007120M	D,ESD CHIP	CDS2C05HDMI1 CERADIODE ESD FOR HDMI 1005REEL	K067020500010S
HDMI PCB	D1015		963209007120M	963209007120M	D,ESD CHIP	CDS2C05HDMI1 CERADIODE ESD FOR HDMI 1005REEL	K067020500010S
HDMI PCB	D1016		963209007120M	963209007120M	D,ESD CHIP	CDS2C05HDMI1 CERADIODE ESD FOR HDMI 1005REEL	K067020500010S
HDMI PCB	D1017		963209007120M	963209007120M	D,ESD CHIP	CDS2C05HDMI1 CERADIODE ESD FOR HDMI 1005REEL	K067020500010S
HDMI PCB	D1018		963209007120M	963209007120M	D,ESD CHIP	CDS2C05HDMI1 CERADIODE ESD FOR HDMI 1005REEL	K067020500010S
HDMI PCB	D1019		963209007120M	963209007120M	D,ESD CHIP	CDS2C05HDMI1 CERADIODE ESD FOR HDMI 1005REEL	K067020500010S
HDMI PCB	D1020		963209007120M	963209007120M	D,ESD CHIP	CDS2C05HDMI1 CERADIODE ESD FOR HDMI 1005REEL	K067020500010S
HDMI PCB	D1021		963209007120M	963209007120M	D,ESD CHIP	CDS2C05HDMI1 CERADIODE ESD FOR HDMI 1005REEL	K067020500010S
HDMI PCB	D1022		963209007120M	963209007120M	D,ESD CHIP	CDS2C05HDMI1 CERADIODE ESD FOR HDMI 1005REEL	K067020500010S
HDMI PCB	D1023		963209007120M	963209007120M	D,ESD CHIP	CDS2C05HDMI1 CERADIODE ESD FOR HDMI 1005REEL	K067020500010S
HDMI PCB	D1024		963209007120M	963209007120M	D,ESD CHIP	CDS2C05HDMI1 CERADIODE ESD FOR HDMI 1005REEL	K067020500010S
HDMI PCB	D1025		963209007120M	963209007120M	D,ESD CHIP	CDS2C05HDMI1 CERADIODE ESD FOR HDMI 1005REEL	K067020500010S
HDMI PCB	D1026		963209007120M	963209007120M	D,ESD CHIP	CDS2C05HDMI1 CERADIODE ESD FOR HDMI 1005REEL	K067020500010S
HDMI PCB	D1027		963209007120M	963209007120M	D,ESD CHIP	CDS2C05HDMI1 CERADIODE ESD FOR HDMI 1005REEL	K067020500010S
HDMI PCB	D1028		963209007120M	963209007120M	D,ESD CHIP	CDS2C05HDMI1 CERADIODE ESD FOR HDMI 1005REEL	K067020500010S
HDMI PCB	D1029		963209007120M	963209007120M	D,ESD CHIP	CDS2C05HDMI1 CERADIODE ESD FOR HDMI 1005REEL	K067020500010S
HDMI PCB	D1030		963209007120M	963209007120M	D,ESD CHIP	CDS2C05HDMI1 CERADIODE ESD FOR HDMI 1005REEL	K067020500010S
HDMI PCB	D1031		963209007120M	963209007120M	D,ESD CHIP	CDS2C05HDMI1 CERADIODE ESD FOR HDMI 1005REEL	K067020500010S
HDMI PCB	D1032		963209007120M	963209007120M	D,ESD CHIP	CDS2C05HDMI1 CERADIODE ESD FOR HDMI 1005REEL	K067020500010S
HDMI PCB	D1033		963209007120M	963209007120M	D,ESD CHIP	CDS2C05HDMI1 CERADIODE ESD FOR HDMI 1005REEL	K067020500010S
HDMI PCB	D1034		963209007120M	963209007120M	D,ESD CHIP	CDS2C05HDMI1 CERADIODE ESD FOR HDMI 1005REEL	K067020500010S

NOTE : *nsp* PART IS LISTED FOR REFERENCE ONLY, D&M WILL NOT SUPPLY THESE PARTS.

P.C.B. NAME	POS. NO.	VERS. COLOR	PART NO. (FOR EUR)	PART NO. (MZ)	PART NAME	DESCRIPTION	
HDMI PCB	D1035		963209007120M	963209007120M	D,ESD CHIP	CDS2C05HDMI1 CERADIODE ESD FOR HDMI 1005REEL	K067020500010S
HDMI PCB	D1036		963209007120M	963209007120M	D,ESD CHIP	CDS2C05HDMI1 CERADIODE ESD FOR HDMI 1005REEL	K067020500010S
HDMI PCB	D1037		963209007120M	963209007120M	D,ESD CHIP	CDS2C05HDMI1 CERADIODE ESD FOR HDMI 1005REEL	K067020500010S
HDMI PCB	D1038		963209007120M	963209007120M	D,ESD CHIP	CDS2C05HDMI1 CERADIODE ESD FOR HDMI 1005REEL	K067020500010S
HDMI PCB	D1039		963209007120M	963209007120M	D,ESD CHIP	CDS2C05HDMI1 CERADIODE ESD FOR HDMI 1005REEL	K067020500010S
HDMI PCB	D1040		963209007120M	963209007120M	D,ESD CHIP	CDS2C05HDMI1 CERADIODE ESD FOR HDMI 1005REEL	K067020500010S
HDMI PCB	D1041		963209007120M	963209007120M	D,ESD CHIP	CDS2C05HDMI1 CERADIODE ESD FOR HDMI 1005REEL	K067020500010S
HDMI PCB	D1042		963209007120M	963209007120M	D,ESD CHIP	CDS2C05HDMI1 CERADIODE ESD FOR HDMI 1005REEL	K067020500010S
HDMI PCB	D1043		963209007120M	963209007120M	D,ESD CHIP	CDS2C05HDMI1 CERADIODE ESD FOR HDMI 1005REEL	K067020500010S
HDMI PCB	D1044		963209007120M	963209007120M	D,ESD CHIP	CDS2C05HDMI1 CERADIODE ESD FOR HDMI 1005REEL	K067020500010S
HDMI PCB	D1045		963209007120M	963209007120M	D,ESD CHIP	CDS2C05HDMI1 CERADIODE ESD FOR HDMI 1005REEL	K067020500010S
HDMI PCB	D1046		963209007120M	963209007120M	D,ESD CHIP	CDS2C05HDMI1 CERADIODE ESD FOR HDMI 1005REEL	K067020500010S
HDMI PCB	D1047		963209007120M	963209007120M	D,ESD CHIP	CDS2C05HDMI1 CERADIODE ESD FOR HDMI 1005REEL	K067020500010S
HDMI PCB	D1048		963209007120M	963209007120M	D,ESD CHIP	CDS2C05HDMI1 CERADIODE ESD FOR HDMI 1005REEL	K067020500010S
HDMI PCB	D1049		963209007120M	963209007120M	D,ESD CHIP	CDS2C05HDMI1 CERADIODE ESD FOR HDMI 1005REEL	K067020500010S
HDMI PCB	D1050		963209007120M	963209007120M	D,ESD CHIP	CDS2C05HDMI1 CERADIODE ESD FOR HDMI 1005REEL	K067020500010S
HDMI PCB	FPC1401		963606007130M	963606007130M	CN.FPC 1.0MM	1.0-15S-8PWB 8P HOR SMT TOP	L130100150840S
HDMI PCB	IC1001		nsp	nsp	IC,LOGIC	SiI9233ACTU HDMI RECEIVER TQFP144	J040923300030S
HDMI PCB	IC1004		963239007150M	963239007150M	IC,LINER-REGULATOR	IL1117_1.2 SOT-223 1.2V 1A LOW DROPOUT	J126111712040S
HDMI PCB	IC1005		963239008820S	963239008820S	IC,LINER-REGULATOR	IL1117_1.8 SOT-223 1.8V 1A LOW DROPOUT	J126111710011S
HDMI PCB	IC1006		963239004190S	963239004190S	IC,LOGIC-D/D CONVER	AOZ1021AI SYNCHRONOUS 3A BUCK REG SO-8P	J048102100010S
HDMI PCB	IC1007		963239004190S	963239004190S	IC,LOGIC-D/D CONVER	AOZ1021AI SYNCHRONOUS 3A BUCK REG SO-8P	J048102100010S
HDMI PCB	IC1201		00D2623719006	00D2623719006	IC,LOGIC	SiI9134 HDMI TRANSMITTER TQFP100	J040913400030S
HDMI PCB	IC1301		00D2623603002	00D2623603002	IC,LOGIC-DECODER	ADV7401BSTZ-110 SDTV/HDTV VIDEO DECODER LQFP100	J044740100020S
HDMI PCB	IC1302		963239008820S	963239008820S	IC,LINER-REGULATOR	IL1117_1.8 SOT-223 1.8V 1A LOW DROPOUT	J126111710011S
HDMI PCB	IC1401		963239007190M	963239007190M	IC,CPU MICRO PROCESS	M3030RFEPPF FLASH(192K,6K)QFP100	J020303020030S
<p>NOTE : After replacing the IC1401, overwrite the newest SUB CPU firmware. (Refer to "6. UPDATE FIRMWARE" (11 page).)</p>							
HDMI PCB	IC1501		90M-HC109960R	90M-HC109960R	IC,ANALOG	AK4588 AUDIO CODEC WITH DIR LQFP80P (Pb Free)	J080458800010S
HDMI PCB	IC1502		963239007200M	963239007200M	IC,LINER-REGULATOR	IL1117-3.3 SOT-223 3.3V 1A LOW DROPOUT	J126111700041S
HDMI PCB	IC1601		963235007210M	963235007210M	IC,ANALOG	CS497004-CQZ CER-C1 MULTI 32BIT DSP LQFP144P	J080497004010S
HDMI PCB	IC1602		963239007220M	963239007220M	IC,LOGIC	SN74LVC257APWR QUAD 2TO1 MUX TSSOP-PW16P	J040742570030S
HDMI PCB	IC1603		963239007220M	963239007220M	IC,LOGIC	SN74LVC257APWR QUAD 2TO1 MUX TSSOP-PW16P	J040742570030S
HDMI PCB	IC1604		963239007230M	963239007230M	IC,MEMORY FLASH	SST25VF080B-50-4C-S2AF-T 8M SPI SOIC8 (TUBE TYPE)	J005250800020S
HDMI PCB	IC1605		963239004180S	963239004180S	IC,MEMORY-RAM	IC42S16400F-6TL 1M*16BIT*4BANKS(64MBIT) TSOP54	J001421640040S
HDMI PCB	IC1606		963239008820S	963239008820S	IC,LINER-REGULATOR	IL1117_1.8 SOT-223 1.8V 1A LOW DROPOUT	J126111710011S
HDMI PCB	IC606		00D9630367307	00D9630367307	IC,LOGIC	SN74AHCU04PWR HEX INVERTER TSSOP14P	J040740400290S
HDMI PCB	JACK1001,54		nsp	nsp	CN.WAFER	AD3PBX19GO-T 19P SMT HDMICON WITH FLANGE (TRAY)	L109100190050S
HDMI PCB	JACK1002,54		nsp	nsp	CN.WAFER	AD3PBX19GO-T 19P SMT HDMICON WITH FLANGE (TRAY)	L109100190050S
HDMI PCB	JACK1003,54		nsp	nsp	CN.WAFER	AD3PBX19GO-T 19P SMT HDMICON WITH FLANGE (TRAY)	L109100190050S
HDMI PCB	JACK1004,54		nsp	nsp	CN.WAFER	AD3PBX19GO-T 19P SMT HDMICON WITH FLANGE (TRAY)	L109100190050S
HDMI PCB	JACK1005,54		nsp	nsp	CN.WAFER	AD3PBX19GO-T 19P SMT HDMICON WITH FLANGE (TRAY)	L109100190050S
HDMI PCB	L1001		963115004260S	963115004260S	COIL,INDUCTOR	B82464Z4472M 4.7UH 10*10*4.8 POWER INDUCTOR	D310824644720S
HDMI PCB	L1002		963115004260S	963115004260S	COIL,INDUCTOR	B82464Z4472M 4.7UH 10*10*4.8 POWER INDUCTOR	D310824644720S
HDMI PCB	L1003		90M-FN000270R	90M-FN000270R	COIL,BEAD	CBW160808U121T 120ohm SMD1608 TYPE	D340160811210S
HDMI PCB	L1004		90M-FN000270R	90M-FN000270R	COIL,BEAD	CBW160808U121T 120ohm SMD1608 TYPE	D340160811210S
HDMI PCB	L1101		nsp	nsp	R,CHIP THICK	0-J,1/16W-1608REEL	C20000006M160S
HDMI PCB	L1102		nsp	nsp	R,CHIP THICK	0-J,1/16W-1608REEL	C20000006M160S
HDMI PCB	L1103		nsp	nsp	R,CHIP THICK	0-J,1/16W-1608REEL	C20000006M160S
HDMI PCB	L1104		nsp	nsp	R,CHIP THICK	0-J,1/16W-1608REEL	C20000006M160S

NOTE : *nsp* PART IS LISTED FOR REFERENCE ONLY, D&M WILL NOT SUPPLY THESE PARTS.

P.C.B. NAME	POS. NO.	VERS. COLOR	PART NO. (FOR EUR)	PART NO. (MZ)	PART NAME	DESCRIPTION
HDMI PCB	L1105		nsp	nsp	R,CHIP THICK	0-J,1/16W-1608REEL C2000006M160S
HDMI PCB	L1106		nsp	nsp	R,CHIP THICK	0-J,1/16W-1608REEL C2000006M160S
HDMI PCB	L1201		nsp	nsp	R,CHIP THICK	0-J,1/16W-1608REEL C2000006M160S
HDMI PCB	L1202		nsp	nsp	R,CHIP THICK	0-J,1/16W-1608REEL C2000006M160S
HDMI PCB	L1203		nsp	nsp	R,CHIP THICK	0-J,1/16W-1608REEL C2000006M160S
HDMI PCB	L1204		nsp	nsp	R,CHIP THICK	0-J,1/16W-1608REEL C2000006M160S
HDMI PCB	L1205		nsp	nsp	R,CHIP THICK	0-J,1/16W-1608REEL C2000006M160S
HDMI PCB	L1206		nsp	nsp	R,CHIP THICK	0-J,1/16W-1608REEL C2000006M160S
HDMI PCB	L1301		90M-FN000270R	90M-FN000270R	COIL,BEAD	CBW160808U121T 120ohm SMD1608 TYPE D340160811210S
HDMI PCB	L1302		90M-FN000270R	90M-FN000270R	COIL,BEAD	CBW160808U121T 120ohm SMD1608 TYPE D340160811210S
HDMI PCB	L1303		nsp	nsp	R,CHIP THICK	0-J,1/16W-1608REEL C2000006M160S
HDMI PCB	L1304		nsp	nsp	R,CHIP THICK	0-J,1/16W-1608REEL C2000006M160S
HDMI PCB	L1305		90M-FN000270R	90M-FN000270R	COIL,BEAD	CBW160808U121T 120ohm SMD1608 TYPE D340160811210S
HDMI PCB	L1401		90M-FN000270R	90M-FN000270R	COIL,BEAD	CBW160808U121T 120ohm SMD1608 TYPE D340160811210S
HDMI PCB	L1501		90M-FN000270R	90M-FN000270R	COIL,BEAD	CBW160808U121T 120ohm SMD1608 TYPE D340160811210S
HDMI PCB	L1502		90M-FN000270R	90M-FN000270R	COIL,BEAD	CBW160808U121T 120ohm SMD1608 TYPE D340160811210S
HDMI PCB	L1503		90M-FN000270R	90M-FN000270R	COIL,BEAD	CBW160808U121T 120ohm SMD1608 TYPE D340160811210S
HDMI PCB	L1504		90M-FN000270R	90M-FN000270R	COIL,BEAD	CBW160808U121T 120ohm SMD1608 TYPE D340160811210S
HDMI PCB	L1601		90M-FN000270R	90M-FN000270R	COIL,BEAD	CBW160808U121T 120ohm SMD1608 TYPE D340160811210S
HDMI PCB	L1602		90M-FN000270R	90M-FN000270R	COIL,BEAD	CBW160808U121T 120ohm SMD1608 TYPE D340160811210S
HDMI PCB	L1603		90M-FN000270R	90M-FN000270R	COIL,BEAD	CBW160808U121T 120ohm SMD1608 TYPE D340160811210S
HDMI PCB	L1604		90M-FN000270R	90M-FN000270R	COIL,BEAD	CBW160808U121T 120ohm SMD1608 TYPE D340160811210S
HDMI PCB	L1605		90M-FN000270R	90M-FN000270R	COIL,BEAD	CBW160808U121T 120ohm SMD1608 TYPE D340160811210S
HDMI PCB	L1606		90M-FN000270R	90M-FN000270R	COIL,BEAD	CBW160808U121T 120ohm SMD1608 TYPE D340160811210S
HDMI PCB	L1607		90M-FN000270R	90M-FN000270R	COIL,BEAD	CBW160808U121T 120ohm SMD1608 TYPE D340160811210S
HDMI PCB	Q1101		00D9600285006	00D9600285006	SEMI,CHIP TR/NPN 2SC	KRC104S (ND)/SOT-23 REEL J522104S00210S
HDMI PCB	Q1201		00D9600285006	00D9600285006	SEMI,CHIP TR/NPN 2SC	KRC104S (ND)/SOT-23 REEL J522104S00210S
HDMI PCB	Q1301		00D9600285006	00D9600285006	SEMI,CHIP TR/NPN 2SC	KRC104S (ND)/SOT-23 REEL J522104S00210S
HDMI PCB	Q1401		00D9600285006	00D9600285006	SEMI,CHIP TR/NPN 2SC	KRC104S (ND)/SOT-23 REEL J522104S00210S
HDMI PCB	R1003		nsp	nsp	R,CHIP THICK	47K-J,1/16W-1005REEL C20004736M101S
HDMI PCB	R1004		nsp	nsp	R,CHIP THICK	47K-J,1/16W-1005REEL C20004736M101S
HDMI PCB	R1008		nsp	nsp	R,CHIP THICK	47K-J,1/16W-1005REEL C20004736M101S
HDMI PCB	R1009		nsp	nsp	R,CHIP THICK	47K-J,1/16W-1005REEL C20004736M101S
HDMI PCB	R1013		nsp	nsp	R,CHIP THICK	47K-J,1/16W-1005REEL C20004736M101S
HDMI PCB	R1014		nsp	nsp	R,CHIP THICK	47K-J,1/16W-1005REEL C20004736M101S
HDMI PCB	R1016		nsp	nsp	R,CHIP THICK	0-J,1/16W-1005REEL C2000006M101S
HDMI PCB	R1017		nsp	nsp	R,CHIP THICK	0-J,1/16W-1005REEL C2000006M101S
HDMI PCB	R1018		nsp	nsp	R,CHIP THICK	0-J,1/16W-1005REEL C2000006M101S
HDMI PCB	R1020		nsp	nsp	R,CHIP THICK	47K-J,1/16W-1005REEL C20004736M101S
HDMI PCB	R1021		nsp	nsp	R,CHIP THICK	0-J,1/16W-1005REEL C2000006M101S
HDMI PCB	R1024		nsp	nsp	R,CHIP THICK	47K-J,1/16W-1005REEL C20004736M101S
HDMI PCB	R1031		nsp	nsp	R,CHIP THICK	0-J,1/16W-1005REEL C2000006M101S
HDMI PCB	R1032		nsp	nsp	R,CHIP THICK	0-J,1/16W-1005REEL C2000006M101S
HDMI PCB	R1033		nsp	nsp	R,CHIP THICK	0-J,1/16W-1005REEL C2000006M101S
HDMI PCB	R1034		nsp	nsp	R,CHIP THICK	0-J,1/16W-1005REEL C2000006M101S
HDMI PCB	R1035		nsp	nsp	R,CHIP THICK	0-J,1/16W-1005REEL C2000006M101S
HDMI PCB	R1036		nsp	nsp	R,CHIP THICK	0-J,1/16W-1005REEL C2000006M101S
HDMI PCB	R1037		nsp	nsp	R,CHIP THICK	0-J,1/16W-1005REEL C2000006M101S
HDMI PCB	R1038		nsp	nsp	R,CHIP THICK	0-J,1/16W-1005REEL C2000006M101S
HDMI PCB	R1039		nsp	nsp	R,CHIP THICK	1.8K-J,1/16W-1005REEL C20001826M101S
HDMI PCB	R1040		nsp	nsp	R,CHIP THICK	1.8K-J,1/16W-1005REEL C20001826M101S
HDMI PCB	R1041		nsp	nsp	R,CHIP THICK	0-J,1/16W-1005REEL C2000006M101S
HDMI PCB	R1042		nsp	nsp	R,CHIP THICK	0-J,1/16W-1005REEL C2000006M101S
HDMI PCB	R1043		nsp	nsp	R,CHIP THICK	0-J,1/16W-1005REEL C2000006M101S
HDMI PCB	R1051		nsp	nsp	R,CHIP THICK	20K-J,1/16W-1005REEL C20002036M101S
HDMI PCB	R1052		nsp	nsp	R,CHIP THICK	10K-J,1/16W-1608REEL C20001036M160S
HDMI PCB	R1054		nsp	nsp	R,CHIP THICK	9.1K-J,1/16W-1608REEL C20009126M160S
HDMI PCB	R1055		nsp	nsp	R,CHIP THICK	5.6K-J,1/16W-1608REEL C20005626M160S
HDMI PCB	R1056		nsp	nsp	R,CHIP THICK	4.7K-J,1/16W-1005REEL C20004726M101S
HDMI PCB	R1057		nsp	nsp	R,CHIP THICK	20K-J,1/16W-1005REEL C20002036M101S
HDMI PCB	R1058		nsp	nsp	R,CHIP THICK	9.1K-J,1/16W-1608REEL C20009126M160S
HDMI PCB	R1059		nsp	nsp	R,CHIP THICK	5.6K-J,1/16W-1608REEL C20005626M160S
HDMI PCB	R1060		nsp	nsp	R,CHIP THICK	4.7K-J,1/16W-1005REEL C20004726M101S
HDMI PCB	R1091		nsp	nsp	R,CHIP THICK	5.6-J,1/16W-1005REEL C2005R606M101S
HDMI PCB	R1092		nsp	nsp	R,CHIP THICK	5.6-J,1/16W-1005REEL C2005R606M101S
HDMI PCB	R1093		nsp	nsp	R,CHIP THICK	5.6-J,1/16W-1005REEL C2005R606M101S
HDMI PCB	R1094		nsp	nsp	R,CHIP THICK	5.6-J,1/16W-1005REEL C2005R606M101S
HDMI PCB	R1095		nsp	nsp	R,CHIP THICK	5.6-J,1/16W-1005REEL C2005R606M101S
HDMI PCB	R1096		nsp	nsp	R,CHIP THICK	5.6-J,1/16W-1005REEL C2005R606M101S
HDMI PCB	R1097		nsp	nsp	R,CHIP THICK	5.6-J,1/16W-1005REEL C2005R606M101S
HDMI PCB	R1098		nsp	nsp	R,CHIP THICK	5.6-J,1/16W-1005REEL C2005R606M101S
HDMI PCB	R1101		nsp	nsp	R,CHIP THICK	5.6-J,1/16W-1005REEL C2005R606M101S
HDMI PCB	R1102		nsp	nsp	R,CHIP THICK	5.6-J,1/16W-1005REEL C2005R606M101S
HDMI PCB	R1103		nsp	nsp	R,CHIP THICK	5.6-J,1/16W-1005REEL C2005R606M101S
HDMI PCB	R1104		nsp	nsp	R,CHIP THICK	5.6-J,1/16W-1005REEL C2005R606M101S
HDMI PCB	R1105		nsp	nsp	R,CHIP THICK	5.6-J,1/16W-1005REEL C2005R606M101S

NOTE : "nsp" PART IS LISTED FOR REFERENCE ONLY, D&M WILL NOT SUPPLY THESE PARTS.

P.C.B. NAME	POS. NO.	VERS. COLOR	PART NO. (FOR EUR)	PART NO. (MZ)	PART NAME	DESCRIPTION
HDMI PCB	R1406		nsp	nsp	R,CHIP THICK	33-J,1/16W-1005REEL C20003306M101S
HDMI PCB	R1407		nsp	nsp	R,CHIP THICK	33-J,1/16W-1005REEL C20003306M101S
HDMI PCB	R1408		nsp	nsp	R,CHIP THICK	33-J,1/16W-1005REEL C20003306M101S
HDMI PCB	R1409		nsp	nsp	R,CHIP THICK	33-J,1/16W-1005REEL C20003306M101S
HDMI PCB	R1410		nsp	nsp	R,CHIP THICK	33-J,1/16W-1005REEL C20003306M101S
HDMI PCB	R1411		nsp	nsp	R,CHIP THICK	33-J,1/16W-1005REEL C20003306M101S
HDMI PCB	R1412		nsp	nsp	R,CHIP THICK	4.7K-J,1/16W-1005REEL C20004726M101S
HDMI PCB	R1413		nsp	nsp	R,CHIP THICK	33-J,1/16W-1005REEL C20003306M101S
HDMI PCB	R1414		nsp	nsp	R,CHIP THICK	33-J,1/16W-1005REEL C20003306M101S
HDMI PCB	R1415		nsp	nsp	R,CHIP THICK	33-J,1/16W-1005REEL C20003306M101S
HDMI PCB	R1417		nsp	nsp	R,CHIP THICK	33-J,1/16W-1005REEL C20003306M101S
HDMI PCB	R1418		nsp	nsp	R,CHIP THICK	10K-J,1/16W-1005REEL C20001036M111S
HDMI PCB	R1419		nsp	nsp	R,CHIP THICK	33-J,1/16W-1005REEL C20003306M101S
HDMI PCB	R1420		nsp	nsp	R,CHIP THICK	33-J,1/16W-1005REEL C20003306M101S
HDMI PCB	R1421		nsp	nsp	R,CHIP THICK	33-J,1/16W-1005REEL C20003306M101S
HDMI PCB	R1422		nsp	nsp	R,CHIP THICK	33-J,1/16W-1005REEL C20003306M101S
HDMI PCB	R1423		nsp	nsp	R,CHIP THICK	10K-J,1/16W-1005REEL C20001036M111S
HDMI PCB	R1424		nsp	nsp	R,CHIP THICK	10K-J,1/16W-1005REEL C20001036M111S
HDMI PCB	R1425		nsp	nsp	R,CHIP THICK	10K-J,1/16W-1005REEL C20001036M111S
HDMI PCB	R1426		nsp	nsp	R,CHIP THICK	10K-J,1/16W-1005REEL C20001036M111S
HDMI PCB	R1427		nsp	nsp	R,CHIP THICK	10K-J,1/16W-1005REEL C20001036M111S
HDMI PCB	R1428		nsp	nsp	R,CHIP THICK	10K-J,1/16W-1005REEL C20001036M111S
HDMI PCB	R1429		nsp	nsp	R,CHIP THICK	33-J,1/16W-1005REEL C20003306M101S
HDMI PCB	R1430		nsp	nsp	R,CHIP THICK	33-J,1/16W-1005REEL C20003306M101S
HDMI PCB	R1501		nsp	nsp	R,CHIP THICK	150-J,1/16W-1005REEL C20001516M101S
HDMI PCB	R1502		nsp	nsp	R,CHIP THICK	150-J,1/16W-1005REEL C20001516M101S
HDMI PCB	R1503		nsp	nsp	R,CHIP THICK	12K-F,1/16W-1608REEL C20001234M160S
HDMI PCB	R1504		nsp	nsp	R,CHIP THICK	10K-J,1/16W-1005REEL C20001036M111S
HDMI PCB	R1505		nsp	nsp	R,CHIP THICK	33-J,1/16W-1005REEL C20003306M101S
HDMI PCB	R1506		nsp	nsp	R,CHIP THICK	4.7K-J,1/16W-1005REEL C20004726M101S
HDMI PCB	R1507		nsp	nsp	R,CHIP THICK	4.7K-J,1/16W-1005REEL C20004726M101S
HDMI PCB	R1508		nsp	nsp	R,CHIP THICK	10K-J,1/16W-1005REEL C20001036M111S
HDMI PCB	R1509		nsp	nsp	R,CHIP THICK	4.7K-J,1/16W-1005REEL C20004726M101S
HDMI PCB	R1510		nsp	nsp	R,CHIP THICK	33-J,1/16W-1005REEL C20003306M101S
HDMI PCB	R1511		nsp	nsp	R,CHIP THICK	33-J,1/16W-1005REEL C20003306M101S
HDMI PCB	R1512		nsp	nsp	R,CHIP THICK	33-J,1/16W-1005REEL C20003306M101S
HDMI PCB	R1513		nsp	nsp	R,CHIP THICK	10K-J,1/16W-1005REEL C20001036M111S
HDMI PCB	R1514		nsp	nsp	R,CHIP THICK	75-J,1/16W-1005REEL C20007506M101S
HDMI PCB	R1515		nsp	nsp	R,CHIP THICK	33-J,1/16W-1005REEL C20003306M101S
HDMI PCB	R1516		nsp	nsp	R,CHIP THICK	33-J,1/16W-1005REEL C20003306M101S
HDMI PCB	R1517		nsp	nsp	R,CHIP THICK	33-J,1/16W-1005REEL C20003306M101S
HDMI PCB	R1518		nsp	nsp	R,CHIP THICK	33-J,1/16W-1005REEL C20003306M101S
HDMI PCB	R1519		nsp	nsp	R,CHIP THICK	33-J,1/16W-1005REEL C20003306M101S
HDMI PCB	R1520		nsp	nsp	R,CHIP THICK	33-J,1/16W-1005REEL C20003306M101S
HDMI PCB	R1521		nsp	nsp	R,CHIP THICK	33-J,1/16W-1005REEL C20003306M101S
HDMI PCB	R1522		nsp	nsp	R,CHIP THICK	33-J,1/16W-1005REEL C20003306M101S
HDMI PCB	R1601		nsp	nsp	R,CHIP THICK	33-J,1/16W-1608REEL C20003306M160S
HDMI PCB	R1602		nsp	nsp	R,CHIP THICK	33-J,1/16W-1608REEL C20003306M160S
HDMI PCB	R1603		nsp	nsp	R,CHIP THICK	33-J,1/16W-1608REEL C20003306M160S
HDMI PCB	R1604		nsp	nsp	R,CHIP THICK	33-J,1/16W-1005REEL C20003306M101S
HDMI PCB	R1605		nsp	nsp	R,CHIP THICK	33-J,1/16W-1005REEL C20003306M101S
HDMI PCB	R1606		nsp	nsp	R,CHIP THICK	33-J,1/16W-1005REEL C20003306M101S
HDMI PCB	R1607		nsp	nsp	R,CHIP THICK	33-J,1/16W-1005REEL C20003306M101S
HDMI PCB	R1608		90M-FN000270R	90M-FN000270R	COIL,BEAD	CBW160808U121T 120ohm SMD1608 TYPE D340160811210S
HDMI PCB	R1609		nsp	nsp	R,CHIP THICK	33-J,1/16W-1608REEL C20003306M160S
HDMI PCB	R1610		nsp	nsp	R,CHIP THICK	1M-J,1/16W-1005REEL C20001056M101S
HDMI PCB	R1611		nsp	nsp	R,CHIP THICK	5.1K-J,1/16W-1005REEL C20005126M101S
HDMI PCB	R1612		nsp	nsp	R,CHIP THICK	10K-J,1/16W-1005REEL C20001036M111S
HDMI PCB	R1613		nsp	nsp	R,CHIP THICK	3.3K-J,1/16W-1005REEL C20003326M101S
HDMI PCB	R1614		nsp	nsp	R,CHIP THICK	3.3K-J,1/16W-1005REEL C20003326M101S
HDMI PCB	R1615		nsp	nsp	R,CHIP THICK	10K-J,1/16W-1005REEL C20001036M111S
HDMI PCB	R1616		nsp	nsp	R,CHIP THICK	0-J,1/16W-1005REEL C20000006M101S
HDMI PCB	R1617		nsp	nsp	R,CHIP THICK	10K-J,1/16W-1005REEL C20001036M111S
HDMI PCB	R1618		nsp	nsp	R,CHIP THICK	10K-J,1/16W-1005REEL C20001036M111S
HDMI PCB	R1619		nsp	nsp	R,CHIP THICK	10K-J,1/16W-1005REEL C20001036M111S
HDMI PCB	R1620		nsp	nsp	R,CHIP THICK	33-J,1/16W-1005REEL C20003306M101S
HDMI PCB	R1621		nsp	nsp	R,CHIP THICK	33-J,1/16W-1005REEL C20003306M101S
HDMI PCB	R1622		nsp	nsp	R,CHIP THICK	33-J,1/16W-1005REEL C20003306M101S
HDMI PCB	R1623		nsp	nsp	R,CHIP THICK	33-J,1/16W-1005REEL C20003306M101S
HDMI PCB	R1624		nsp	nsp	R,CHIP THICK	33-J,1/16W-1005REEL C20003306M101S
HDMI PCB	R1625		nsp	nsp	R,CHIP THICK	33-J,1/16W-1005REEL C20003306M101S
HDMI PCB	R1626		nsp	nsp	R,CHIP THICK	33-J,1/16W-1005REEL C20003306M101S
HDMI PCB	R1627		nsp	nsp	R,CHIP THICK	33-J,1/16W-1005REEL C20003306M101S
HDMI PCB	R1628		nsp	nsp	R,CHIP THICK	33-J,1/16W-1005REEL C20003306M101S
HDMI PCB	R1629		nsp	nsp	R,CHIP THICK	33-J,1/16W-1005REEL C20003306M101S
HDMI PCB	R1630		nsp	nsp	R,CHIP THICK	33-J,1/16W-1005REEL C20003306M101S

NOTE : *nsp* PART IS LISTED FOR REFERENCE ONLY, D&M WILL NOT SUPPLY THESE PARTS.

P.C.B. NAME	POS. NO.	VERS. COLOR	PART NO. (FOR EUR)	PART NO. (MZ)	PART NAME	DESCRIPTION	
HDMI PCB	R1631		nsp	nsp	R,CHIP THICK	33-J,1/16W-1005REEL	C20003306M101S
HDMI PCB	R1632		nsp	nsp	R,CHIP THICK	33-J,1/16W-1005REEL	C20003306M101S
HDMI PCB	R1633		nsp	nsp	R,CHIP THICK	33-J,1/16W-1005REEL	C20003306M101S
HDMI PCB	R1635		nsp	nsp	R,CHIP THICK	33-J,1/16W-1005REEL	C20003306M101S
HDMI PCB	R1636		nsp	nsp	R,CHIP THICK	33-J,1/16W-1005REEL	C20003306M101S
HDMI PCB	R1637		nsp	nsp	R,CHIP THICK	33-J,1/16W-1005REEL	C20003306M101S
HDMI PCB	R1638		nsp	nsp	R,CHIP THICK	33-J,1/16W-1005REEL	C20003306M101S
HDMI PCB	R1639		nsp	nsp	R,CHIP THICK	33-J,1/16W-1005REEL	C20003306M101S
HDMI PCB	R1640		nsp	nsp	R,CHIP THICK	33-J,1/16W-1005REEL	C20003306M101S
HDMI PCB	R1641		nsp	nsp	R,CHIP THICK	33-J,1/16W-1005REEL	C20003306M101S
HDMI PCB	R1642		nsp	nsp	R,CHIP THICK	33-J,1/16W-1005REEL	C20003306M101S
HDMI PCB	R1643		nsp	nsp	R,CHIP THICK	33-J,1/16W-1005REEL	C20003306M101S
HDMI PCB	R1644		nsp	nsp	R,CHIP THICK	33-J,1/16W-1005REEL	C20003306M101S
HDMI PCB	R1645		nsp	nsp	R,CHIP THICK	33-J,1/16W-1005REEL	C20003306M101S
HDMI PCB	R1646		nsp	nsp	R,CHIP THICK	33-J,1/16W-1005REEL	C20003306M101S
HDMI PCB	R1647		nsp	nsp	R,CHIP THICK	33-J,1/16W-1005REEL	C20003306M101S
HDMI PCB	R1649		nsp	nsp	R,CHIP THICK	33-J,1/16W-1005REEL	C20003306M101S
HDMI PCB	R1650		nsp	nsp	R,CHIP THICK	33-J,1/16W-1005REEL	C20003306M101S
HDMI PCB	R1651		nsp	nsp	R,CHIP THICK	33-J,1/16W-1005REEL	C20003306M101S
HDMI PCB	R1652		nsp	nsp	R,CHIP THICK	33-J,1/16W-1005REEL	C20003306M101S
HDMI PCB	R1653		nsp	nsp	R,CHIP THICK	33-J,1/16W-1005REEL	C20003306M101S
HDMI PCB	R1654		nsp	nsp	R,CHIP THICK	33-J,1/16W-1005REEL	C20003306M101S
HDMI PCB	R1655		nsp	nsp	R,CHIP THICK	33-J,1/16W-1005REEL	C20003306M101S
HDMI PCB	R1656		nsp	nsp	R,CHIP THICK	33-J,1/16W-1005REEL	C20003306M101S
HDMI PCB	R1657		nsp	nsp	R,CHIP THICK	33-J,1/16W-1005REEL	C20003306M101S
HDMI PCB	R1658		nsp	nsp	R,CHIP THICK	33-J,1/16W-1005REEL	C20003306M101S
HDMI PCB	R1659		nsp	nsp	R,CHIP THICK	33-J,1/16W-1005REEL	C20003306M101S
HDMI PCB	R1660		nsp	nsp	R,CHIP THICK	33-J,1/16W-1005REEL	C20003306M101S
HDMI PCB	R1661		nsp	nsp	R,CHIP THICK	33-J,1/16W-1005REEL	C20003306M101S
HDMI PCB	R1662		nsp	nsp	R,CHIP THICK	33-J,1/16W-1005REEL	C20003306M101S
HDMI PCB	R1663		nsp	nsp	R,CHIP THICK	33-J,1/16W-1005REEL	C20003306M101S
HDMI PCB	R1664		nsp	nsp	R,CHIP THICK	33-J,1/16W-1005REEL	C20003306M101S
HDMI PCB	R1665		nsp	nsp	R,CHIP THICK	33-J,1/16W-1005REEL	C20003306M101S
HDMI PCB	R1666		nsp	nsp	R,CHIP THICK	33-J,1/16W-1005REEL	C20003306M101S
HDMI PCB	R1667		nsp	nsp	R,CHIP THICK	33-J,1/16W-1005REEL	C20003306M101S
HDMI PCB	R1668		nsp	nsp	R,CHIP THICK	33-J,1/16W-1005REEL	C20003306M101S
HDMI PCB	R1669		nsp	nsp	R,CHIP THICK	33-J,1/16W-1005REEL	C20003306M101S
HDMI PCB	R1670		nsp	nsp	R,CHIP THICK	33-J,1/16W-1005REEL	C20003306M101S
HDMI PCB	R1671		nsp	nsp	R,CHIP THICK	3.3K-J,1/16W-1005REEL	C20003326M101S
HDMI PCB	R1672		nsp	nsp	R,CHIP THICK	3.3K-J,1/16W-1005REEL	C20003326M101S
HDMI PCB	R1673		nsp	nsp	R,CHIP THICK	100-J,1/16W-1005REEL	C20001016M101S
HDMI PCB	R1674		nsp	nsp	R,CHIP THICK	33-J,1/16W-1005REEL	C20003306M101S
HDMI PCB	R1675		nsp	nsp	R,CHIP THICK	33-J,1/16W-1005REEL	C20003306M101S
HDMI PCB	R1676		nsp	nsp	R,CHIP THICK	0-J,1/16W-1005REEL	C20000006M101S
HDMI PCB	R1677		nsp	nsp	R,CHIP THICK	33-J,1/16W-1005REEL	C20003306M101S
HDMI PCB	R1678		nsp	nsp	R,CHIP THICK	10K-J,1/16W-1005REEL	C20001036M111S
HDMI PCB	R1679		nsp	nsp	R,CHIP THICK	10K-J,1/16W-1005REEL	C20001036M111S
HDMI PCB	R1680		nsp	nsp	R,CHIP THICK	10K-J,1/16W-1005REEL	C20001036M111S
HDMI PCB	R1701		nsp	nsp	R,CHIP THICK	22-J,1/16W-1005REEL	C20002206M101S
HDMI PCB	R1702		nsp	nsp	R,CHIP THICK	22-J,1/16W-1005REEL	C20002206M101S
HDMI PCB	XTAL1001		963141007370M	963141007370M	CRYSTAL CHIP	27.000MHz CL=20PF HCX-5FA/SMD5032	E80527R000010S
HDMI PCB	XTAL1301		963141007380M	963141007380M	CRYSTAL CHIP	28.6363MHz CL=20PF HCX-5FA/SMD5032	E80528R636310S
HDMI PCB	XTAL1401		963141007390M	963141007390M	CRYSTAL CHIP	16.000MHz CL=10PF HCX-5FA/SMD5032	E80516R000010S
HDMI PCB	XTAL1601		963141007400M	963141007400M	CRYSTAL CHIP	24.576MHz CL=16PF HCX-5FA/SMD5032	E80524R576020S
HDMI PCB	ZD1201		00D9630382500	00D9630382500	D,ZENER CHIP	0.2W 5.1V UDZ S SERIES (UMD2 TYPE)	K06605R14P400S
MAIN PWB(7020-06827-000-0S)							
MAIN PCB	76	F	nsp	nsp	P.C.B SUB ASSY	NR1501FB(MARANTZ)/MAIN	7028068271010
MAIN PCB	76	N1	nsp	nsp	P.C.B SUB ASSY	NR1501N1B(MARANTZ)/MAIN	7028068271020
MAIN PCB	76	K1SG	nsp	nsp	P.C.B SUB ASSY	NR1501K1SG(MARANTZ)/MAIN	7028068271030
MAIN PCB	76	U1B	nsp	nsp	P.C.B SUB ASSY	NR1501U1B(MARANTZ)/MAIN	7028068271040
MAIN PCB	37		nsp	nsp	P.C.B SUB ASSY	NR1501FB(MARANTZ)/GUIDE-L	7028068272010
MAIN PCB	35		nsp	nsp	P.C.B SUB ASSY	NR1501FB(MARANTZ)/GUIDE-R	7028068273010
MAIN PCB	33		nsp	nsp	P.C.B SUB ASSY	NR1501FB(MARANTZ)/CNT-HDMI	7028068274010
MAIN PCB	*		nsp	nsp	P.C.B	NR1501 330*247 1.6T FR1/MAIN	7020068270000S
MAIN PCB	*	F	nsp	nsp	P.C.B TOTAL ASSY	NR1501FB(MARANTZ)/MAIN	7025HK0819010
MAIN PCB	*	N1	nsp	nsp	P.C.B TOTAL ASSY	NR1501N1B(MARANTZ)/MAIN	7025HK0819020
MAIN PCB	*	K1SG	nsp	nsp	P.C.B TOTAL ASSY	NR1501K1SG(MARANTZ)/MAIN	7025HK0819040
MAIN PCB	*	U1B	nsp	nsp	P.C.B TOTAL ASSY	NR1501U1B(MARANTZ)/MAIN	7025HK0819050
MAIN PCB	*		nsp	nsp	SCREW,TAP TITE	+2S 3*8 B-TYPE ZNW/BH	B020030081B10S
MAIN PCB	BD201		00D9600197107	00D9600197107	D,RECTIFIER BRIDGE	KBPC604 6A	K047604000020S
MAIN PCB	BD202		00D9600197107	00D9600197107	D,RECTIFIER BRIDGE	KBPC604 6A	K047604000020S
MAIN PCB	BD203		00D9600197107	00D9600197107	D,RECTIFIER BRIDGE	KBPC604 6A	K047604000020S
MAIN PCB	BEAD101		90M-FC900420R	90M-FC900420R	BEAD,COIL	3580-52RE-AX	7610010030000S
MAIN PCB	BEAD102		90M-FC900420R	90M-FC900420R	BEAD,COIL	3580-52RE-AX	7610010030000S
MAIN PCB	C101L		00MDK96221300	00MDK96221300	C,CERAMIC CHIP T.C	COG220PF-J/50V-1608REEL	D010221167160S


NOTE : "nsp" PART IS LISTED FOR REFERENCE ONLY, D&M WILL NOT SUPPLY THESE PARTS.

P.C.B. NAME	POS. NO.	VERS. COLOR	PART NO. (FOR EUR)	PART NO. (MZ)	PART NAME	DESCRIPTION
MAIN PCB	C133SL		00D9639004711	00D9639004711	C,CERAMIC CHIP HIK	Y5V0.1UF-Z/50V-1608REEL D011104597160S
MAIN PCB	C133SR		00D9639004711	00D9639004711	C,CERAMIC CHIP HIK	Y5V0.1UF-Z/50V-1608REEL D011104597160S
MAIN PCB	C135		00D9639004698	00D9639004698	C,CERAMIC CHIP HIK	X7R0.01UF-K/50V-1608REEL D011103777160S
MAIN PCB	C136		00D9630223601	00D9630223601	C,CERAMIC CHIP T.C	COG100PF-J/50V-1608REEL D010101167160S
MAIN PCB	C137		00D9630223601	00D9630223601	C,CERAMIC CHIP T.C	COG100PF-J/50V-1608REEL D010101167160S
MAIN PCB	C138		00D9630223601	00D9630223601	C,CERAMIC CHIP T.C	COG100PF-J/50V-1608REEL D010101167160S
MAIN PCB	C141		00D9639004698	00D9639004698	C,CERAMIC CHIP HIK	X7R0.01UF-K/50V-1608REEL D011103777160S
MAIN PCB	C142		00MOA22505020	00MOA22505020	C,ELECT GE 85C	2.2UF-M/50V,5*11-5RE SY (Pb Free) D0402R2087160S
MAIN PCB	C143		00D9639004698	00D9639004698	C,CERAMIC CHIP HIK	X7R0.01UF-K/50V-1608REEL D011103777160S
MAIN PCB	C147		00D9639004698	00D9639004698	C,CERAMIC CHIP HIK	X7R0.01UF-K/50V-1608REEL D011103777160S
MAIN PCB	C148		00D9639004698	00D9639004698	C,CERAMIC CHIP HIK	X7R0.01UF-K/50V-1608REEL D011103777160S
MAIN PCB	C149		00MOA10701620	00MOA10701620	C,ELECT GE 85C	100UF-M/16V,6.3*11-5RE,SMS SY D040101083070S
MAIN PCB	C150		00MOA10701620	00MOA10701620	C,ELECT GE 85C	100UF-M/16V,6.3*11-5RE,SMS SY D040101083070S
MAIN PCB	C151		90M-OF100600R	90M-OF100600R	C,FILM POLYESTER	ST-0.022UF-J/100V-5RE D02022306C060S
MAIN PCB	C152		90M-OF100300R	90M-OF100300R	C,FILM POLYESTER	ST-0.047UF-J/100V-5RE D02047306C060S
MAIN PCB	C153		963139007440M	963139007440M	C,FILM POLYESTER	RED-0.15UF-K/63V-5RE D020154078060S
MAIN PCB	C154		90M-OF100600R	90M-OF100600R	C,FILM POLYESTER	ST-0.022UF-J/100V-5RE D02022306C060S
MAIN PCB	C155		90M-OF100300R	90M-OF100300R	C,FILM POLYESTER	ST-0.047UF-J/100V-5RE D02047306C060S
MAIN PCB	C156		963139007440M	963139007440M	C,FILM POLYESTER	RED-0.15UF-K/63V-5RE D020154078060S
MAIN PCB	C157C		00D9630293709	00D9630293709	C,ELECT GE 85C	100UF-M/10V,5*11-5RE.SMS SY D040101082070S
MAIN PCB	C157FL		00D9630293709	00D9630293709	C,ELECT GE 85C	100UF-M/10V,5*11-5RE.SMS SY D040101082070S
MAIN PCB	C157FR		00D9630293709	00D9630293709	C,ELECT GE 85C	100UF-M/10V,5*11-5RE.SMS SY D040101082070S
MAIN PCB	C157SBL		00D9630293709	00D9630293709	C,ELECT GE 85C	100UF-M/10V,5*11-5RE.SMS SY D040101082070S
MAIN PCB	C157SBR		00D9630293709	00D9630293709	C,ELECT GE 85C	100UF-M/10V,5*11-5RE.SMS SY D040101082070S
MAIN PCB	C157SL		00D9630293709	00D9630293709	C,ELECT GE 85C	100UF-M/10V,5*11-5RE.SMS SY D040101082070S
MAIN PCB	C157SR		00D9630293709	00D9630293709	C,ELECT GE 85C	100UF-M/10V,5*11-5RE.SMS SY D040101082070S
MAIN PCB	C157SW		00D9630293709	00D9630293709	C,ELECT GE 85C	100UF-M/10V,5*11-5RE.SMS SY D040101082070S
MAIN PCB	C161		00D9639004711	00D9639004711	C,CERAMIC CHIP HIK	Y5V0.1UF-Z/50V-1608REEL D011104597160S
MAIN PCB	C162		00D9630293709	00D9630293709	C,ELECT GE 85C	100UF-M/10V,5*11-5RE.SMS SY D040101082070S
MAIN PCB	C201		90M-OF100300R	90M-OF100300R	C,FILM POLYESTER	ST-0.047UF-J/100V-5RE D02047306C060S
MAIN PCB	C202		90M-OF100300R	90M-OF100300R	C,FILM POLYESTER	ST-0.047UF-J/100V-5RE D02047306C060S
MAIN PCB	C203		90M-OF100300R	90M-OF100300R	C,FILM POLYESTER	ST-0.047UF-J/100V-5RE D02047306C060S
MAIN PCB	C204		90M-OF100300R	90M-OF100300R	C,FILM POLYESTER	ST-0.047UF-J/100V-5RE D02047306C060S
MAIN PCB	C205		90M-OF100300R	90M-OF100300R	C,FILM POLYESTER	ST-0.047UF-J/100V-5RE D02047306C060S
MAIN PCB	C206		90M-OF100300R	90M-OF100300R	C,FILM POLYESTER	ST-0.047UF-J/100V-5RE D02047306C060S
MAIN PCB	C207		00D9630183301	00D9630183301	C,ELECT GE 85C	4700UF-M/25V,16*31.5L.BLK SY D040472084020S
MAIN PCB	C208		00D9639004698	00D9639004698	C,CERAMIC CHIP HIK	X7R0.01UF-K/50V-1608REEL D011103777160S
MAIN PCB	C209		00D9639004698	00D9639004698	C,CERAMIC CHIP HIK	X7R0.01UF-K/50V-1608REEL D011103777160S
MAIN PCB	C210		963139007480M	963139007480M	C,ELECT GE 85C	100UF-M/25V,6.3*11-5RE.SY D040101084060S
MAIN PCB	C211		00D9630183301	00D9630183301	C,ELECT GE 85C	4700UF-M/25V,16*31.5L.BLK SY D040472084020S
MAIN PCB	C212		00D9639004698	00D9639004698	C,CERAMIC CHIP HIK	X7R0.01UF-K/50V-1608REEL D011103777160S
MAIN PCB	C213		00D9639004698	00D9639004698	C,CERAMIC CHIP HIK	X7R0.01UF-K/50V-1608REEL D011103777160S
MAIN PCB	C214		00MOA10605020	00MOA10605020	C,ELECT GE 85C	10UF-M/50V,5*11-5RE.SY D040100087070S
MAIN PCB	C215		00D9630324102	00D9630324102	C,ELECT GE 85C	1000UF-M/25V(SHL),10*20L.L.BLK SY D040102084060S
MAIN PCB	C216		00D9639004698	00D9639004698	C,CERAMIC CHIP HIK	X7R0.01UF-K/50V-1608REEL D011103777160S
MAIN PCB	C217		00D9639004698	00D9639004698	C,CERAMIC CHIP HIK	X7R0.01UF-K/50V-1608REEL D011103777160S
MAIN PCB	C218		00MOA10605020	00MOA10605020	C,ELECT GE 85C	10UF-M/50V,5*11-5RE.SY D040100087070S
MAIN PCB	C222		00D9639004698	00D9639004698	C,CERAMIC CHIP HIK	X7R0.01UF-K/50V-1608REEL D011103777160S
MAIN PCB	C223		00D9639004698	00D9639004698	C,CERAMIC CHIP HIK	X7R0.01UF-K/50V-1608REEL D011103777160S
MAIN PCB	C224		00MOA10605020	00MOA10605020	C,ELECT GE 85C	10UF-M/50V,5*11-5RE.SY D040100087070S
MAIN PCB	C229		00MOA10605020	00MOA10605020	C,ELECT GE 85C	10UF-M/50V,5*11-5RE.SY D040100087070S
MAIN PCB	C230		00D9639004698	00D9639004698	C,CERAMIC CHIP HIK	X7R0.01UF-K/50V-1608REEL D011103777160S
MAIN PCB	C231		00D9630293709	00D9630293709	C,ELECT GE 85C	100UF-M/10V,5*11-5RE.SMS SY D040101082070S
MAIN PCB	C232		00D9639004698	00D9639004698	C,CERAMIC CHIP HIK	X7R0.01UF-K/50V-1608REEL D011103777160S
MAIN PCB	C233		00MOA22701020	00MOA22701020	C,ELECT GE 85C	220UF-M/10V,6.3*11-5RE.SMS-SY (Pb Free) D040221082090S
MAIN PCB	C234		00D9639004698	00D9639004698	C,CERAMIC CHIP HIK	X7R0.01UF-K/50V-1608REEL D011103777160S
MAIN PCB	C235		00MOA22701020	00MOA22701020	C,ELECT GE 85C	220UF-M/10V,6.3*11-5RE.SMS-SY (Pb Free) D040221082090S
MAIN PCB	C236		00D9639004698	00D9639004698	C,CERAMIC CHIP HIK	X7R0.01UF-K/50V-1608REEL D011103777160S
MAIN PCB	C237		00MOA47505020	00MOA47505020	C,ELECT GE 85C	4.7UF-M/50V,5*11-5RE.SY D0404R7087250S
MAIN PCB	C238		00MOA10605020	00MOA10605020	C,ELECT GE 85C	10UF-M/50V,5*11-5RE.SY D040100087070S
MAIN PCB	C239		00MOA10505020	00MOA10505020	C,ELECT GE 85C	1UF-M/50V,5*11-5RE.SY (Pb Free) D040010087150S
MAIN PCB	C240		00MOA10505020	00MOA10505020	C,ELECT GE 85C	1UF-M/50V,5*11-5RE.SY (Pb Free) D040010087150S
MAIN PCB	C241		00D9630065209	00D9630065209	C,ELECT GE 85C	330UF-M/63V,12.5*20 D040331088230S
MAIN PCB	C242		00MOA10605020	00MOA10605020	C,ELECT GE 85C	10UF-M/50V,5*11-5RE.SY D040100087070S
MAIN PCB	C243		00D9639004698	00D9639004698	C,CERAMIC CHIP HIK	X7R0.01UF-K/50V-1608REEL D011103777160S
MAIN PCB	C244		00MOA22505020	00MOA22505020	C,ELECT GE 85C	2.2UF-M/50V,5*11-5RE SY (Pb Free) D0402R2087160S
MAIN PCB	C245		00D9639004698	00D9639004698	C,CERAMIC CHIP HIK	X7R0.01UF-K/50V-1608REEL D011103777160S
MAIN PCB	C246		00D9639004698	00D9639004698	C,CERAMIC CHIP HIK	X7R0.01UF-K/50V-1608REEL D011103777160S
MAIN PCB	C247		00D9639004698	00D9639004698	C,CERAMIC CHIP HIK	X7R0.01UF-K/50V-1608REEL D011103777160S
MAIN PCB	C248		00MOA47601640	00MOA47601640	C,ELECT GE 85C	47UF-M/16V,5*11-5RE.SMS SY D040470083080S
MAIN PCB	C249		00D9639004711	00D9639004711	C,CERAMIC CHIP HIK	Y5V0.1UF-Z/50V-1608REEL D011104597160S
MAIN PCB	C250		00D9639004711	00D9639004711	C,CERAMIC CHIP HIK	Y5V0.1UF-Z/50V-1608REEL D011104597160S
MAIN PCB	C253		00MOA10505020	00MOA10505020	C,ELECT GE 85C	1UF-M/50V,5*11-5RE.SY (Pb Free) D040010087150S
MAIN PCB	C254		nsp	nsp	C,FILM POLYESTER	RED-0.1UF-K/250V-5RE D02010407H080S
MAIN PCB	C255		nsp	nsp	C,FILM POLYESTER	RED-0.1UF-K/250V-5RE D02010407H080S
MAIN PCB	C256		nsp	nsp	C,FILM POLYESTER	RED-0.1UF-K/250V-5RE D02010407H080S

NOTE : "nsp" PART IS LISTED FOR REFERENCE ONLY, D&M WILL NOT SUPPLY THESE PARTS.

P.C.B. NAME	POS. NO.	VERS. COLOR	PART NO. (FOR EUR)	PART NO. (MZ)	PART NAME	DESCRIPTION	
MAIN PCB	C257		nsp	nsp	C,FILM POLYESTER	RED-0.1UF-K/250V-5RE	D02010407H080S
MAIN PCB	C258		nsp	nsp	C,FILM POLYESTER	RED-0.1UF-K/250V-5RE	D02010407H080S
MAIN PCB	C259		90M-EB000040R	90M-EB000040R	C,ELECT GE 85C	6800UF-M/63V DL,30*40-VNSN SY	D040682088010S
MAIN PCB	C260		90M-EB000040R	90M-EB000040R	C,ELECT GE 85C	6800UF-M/63V DL,30*40-VNSN SY	D040682088010S
MAIN PCB	C261		00D9639004698	00D9639004698	C,CERAMIC CHIP HIK	X7R0.01UF-K/50V-1608REEL	D011103777160S
MAIN PCB	C262		00D9639004698	00D9639004698	C,CERAMIC CHIP HIK	X7R0.01UF-K/50V-1608REEL	D011103777160S
MAIN PCB	C263		00D9639004698	00D9639004698	C,CERAMIC CHIP HIK	X7R0.01UF-K/50V-1608REEL	D011103777160S
MAIN PCB	C264		00D9630293709	00D9630293709	C,ELECT GE 85C	100UF-M/10V,5*11-5RE.SMS SY	D040101082070S
MAIN PCB	C265		00D9639004698	00D9639004698	C,CERAMIC CHIP HIK	X7R0.01UF-K/50V-1608REEL	D011103777160S
MAIN PCB	C266		00D9639004698	00D9639004698	C,CERAMIC CHIP HIK	X7R0.01UF-K/50V-1608REEL	D011103777160S
MAIN PCB	C267		00D9639004698	00D9639004698	C,CERAMIC CHIP HIK	X7R0.01UF-K/50V-1608REEL	D011103777160S
MAIN PCB	C268		00D9639004698	00D9639004698	C,CERAMIC CHIP HIK	X7R0.01UF-K/50V-1608REEL	D011103777160S
MAIN PCB	CN111		nsp	nsp	CN,WIRE	150MM/13P 5264-13=CKM2509HV-13 WH1007#20	L000151130020S
MAIN PCB	CN601		00D9630206408	00D9630206408	CN.WAFER 2.0MM	TUC-P07P-B1 BD-TO-BD 7P WAFER ST (35336-07)	L101100040710S
MAIN PCB	CP101		nsp	nsp	CN.WAFER 7.92MM	35328-0360, 7.92MM HEADER,VER,3CKT	L108353280360S
MAIN PCB	CP102		nsp	nsp	CN.WAFER 2.5MM	5267-06A 6P	L102526700600S
MAIN PCB	CP103		nsp	nsp	CN.WAFER 2.0MM	20010WS-03A00 DIP3P STRAIGHT	L101200100310S
MAIN PCB	CP104		nsp	nsp	CN.WAFER 2.0MM	20010WS-06A00 DIP6P STRAIGHT	L101200100610S
MAIN PCB	CP105		nsp	nsp	CN.WAFER 2.5MM	5267-03A 3P	L102526700300S
MAIN PCB	CP106		nsp	nsp	CN.WAFER 2.5MM	5267-03A 3P	L102526700300S
MAIN PCB	CP112		nsp	nsp	CN.WAFER 2.0MM	20010WS-15A00 DIP15P STRAIGHT	L101200101510S
MAIN PCB	CP201		nsp	nsp	CN.WAFER 2.0MM	TUC-P20P-B1 BD-TO-BD 20P WAFER ST (35336-20)	L101100042010S
MAIN PCB	CP202		00D9630206505	00D9630206505	CN.WAFER 2.0MM	TUC-P09P-B1 BD-TO-BD 9P WAFER ST (35336-09)	L101100040910S
MAIN PCB	CP203		nsp	nsp	CN.WAFER 2.0MM	TUC-P17P-B1 BD-TO-BD 17P WAFER ST (35336-17)	L101100041710S
MAIN PCB	CP204		00D9630206408	00D9630206408	CN.WAFER 2.0MM	TUC-P07P-B1 BD-TO-BD 7P WAFER ST (35336-07)	L101100040710S
MAIN PCB	CP205		00D9630206408	00D9630206408	CN.WAFER 2.0MM	TUC-P07P-B1 BD-TO-BD 7P WAFER ST (35336-07)	L101100040710S
MAIN PCB	CP206		00D9630235709	00D9630235709	CN.WAFER 2.0MM	TUC-P12P-B1 BD-TO-BD 12P WAFER ST (35336-12)	L101100041210S
MAIN PCB	CP207		nsp	nsp	CN.FPC 1.25MM	127301107K2 BLK ST 7P	L131007100010S
MAIN PCB	CP602		00D9630086505	00D9630086505	CN.WAFER 2.0MM	TUC-P07X-B1 BD-TO-BD 7P HOUSING ST (35237-07)	L101100030710S
MAIN PCB	D101		90M-HZ200220R	90M-HZ200220R	D,SWITCHING CHIP	KDS4148U FAST SWITCHING SOD-323(USC)	K005041480030S
MAIN PCB	D102		90M-HZ200220R	90M-HZ200220R	D,SWITCHING CHIP	KDS4148U FAST SWITCHING SOD-323(USC)	K005041480030S
MAIN PCB	D103		90M-HZ200220R	90M-HZ200220R	D,SWITCHING CHIP	KDS4148U FAST SWITCHING SOD-323(USC)	K005041480030S
MAIN PCB	D104		90M-HZ200220R	90M-HZ200220R	D,SWITCHING CHIP	KDS4148U FAST SWITCHING SOD-323(USC)	K005041480030S
MAIN PCB	D105		90M-HZ200220R	90M-HZ200220R	D,SWITCHING CHIP	KDS4148U FAST SWITCHING SOD-323(USC)	K005041480030S
MAIN PCB	D106		90M-HZ200220R	90M-HZ200220R	D,SWITCHING CHIP	KDS4148U FAST SWITCHING SOD-323(USC)	K005041480030S
MAIN PCB	D107		90M-HZ200220R	90M-HZ200220R	D,SWITCHING CHIP	KDS4148U FAST SWITCHING SOD-323(USC)	K005041480030S
MAIN PCB	D108		90M-HZ200220R	90M-HZ200220R	D,SWITCHING CHIP	KDS4148U FAST SWITCHING SOD-323(USC)	K005041480030S
MAIN PCB	D109		90M-HZ200220R	90M-HZ200220R	D,SWITCHING CHIP	KDS4148U FAST SWITCHING SOD-323(USC)	K005041480030S
MAIN PCB	D110		90M-HZ200220R	90M-HZ200220R	D,SWITCHING CHIP	KDS4148U FAST SWITCHING SOD-323(USC)	K005041480030S
MAIN PCB	D111		90M-HZ200220R	90M-HZ200220R	D,SWITCHING CHIP	KDS4148U FAST SWITCHING SOD-323(USC)	K005041480030S
MAIN PCB	D112		90M-HZ200220R	90M-HZ200220R	D,SWITCHING CHIP	KDS4148U FAST SWITCHING SOD-323(USC)	K005041480030S
MAIN PCB	D113		90M-HZ200220R	90M-HZ200220R	D,SWITCHING CHIP	KDS4148U FAST SWITCHING SOD-323(USC)	K005041480030S
MAIN PCB	D114		90M-HZ200220R	90M-HZ200220R	D,SWITCHING CHIP	KDS4148U FAST SWITCHING SOD-323(USC)	K005041480030S
MAIN PCB	D115		90M-HZ200220R	90M-HZ200220R	D,SWITCHING CHIP	KDS4148U FAST SWITCHING SOD-323(USC)	K005041480030S
MAIN PCB	D116		90M-HZ200220R	90M-HZ200220R	D,SWITCHING CHIP	KDS4148U FAST SWITCHING SOD-323(USC)	K005041480030S
MAIN PCB	D117		90M-HZ200220R	90M-HZ200220R	D,SWITCHING CHIP	KDS4148U FAST SWITCHING SOD-323(USC)	K005041480030S
MAIN PCB	D121		90M-HZ200220R	90M-HZ200220R	D,SWITCHING CHIP	KDS4148U FAST SWITCHING SOD-323(USC)	K005041480030S
MAIN PCB	D122		00D2760401905	00D2760401905	D,SWITCHING	1SS133T-72-52MM	K000013300520S
MAIN PCB	D123		00D2760401905	00D2760401905	D,SWITCHING	1SS133T-72-52MM	K000013300520S
MAIN PCB	D124		00D2760401905	00D2760401905	D,SWITCHING	1SS133T-72-52MM	K000013300520S
MAIN PCB	D125		00D2760401905	00D2760401905	D,SWITCHING	1SS133T-72-52MM	K000013300520S
MAIN PCB	D201		00D9630328409	00D9630328409	D,SWITCHING	1N4007 52REEL 1000V 1A	K000400700010S
MAIN PCB	D202		00D9630328409	00D9630328409	D,SWITCHING	1N4007 52REEL 1000V 1A	K000400700010S
MAIN PCB	D203		00D9630328409	00D9630328409	D,SWITCHING	1N4007 52REEL 1000V 1A	K000400700010S
MAIN PCB	D204		00D9630328409	00D9630328409	D,SWITCHING	1N4007 52REEL 1000V 1A	K000400700010S
MAIN PCB	D205		90M-HZ200220R	90M-HZ200220R	D,SWITCHING CHIP	KDS4148U FAST SWITCHING SOD-323(USC)	K005041480030S
MAIN PCB	D206		90M-HZ200220R	90M-HZ200220R	D,SWITCHING CHIP	KDS4148U FAST SWITCHING SOD-323(USC)	K005041480030S
MAIN PCB	D211		00D2760401905	00D2760401905	D,SWITCHING	1SS133T-72-52MM	K000013300520S
MAIN PCB	D212		00D2760401905	00D2760401905	D,SWITCHING	1SS133T-72-52MM	K000013300520S
MAIN PCB	D213		90M-HZ200220R	90M-HZ200220R	D,SWITCHING CHIP	KDS4148U FAST SWITCHING SOD-323(USC)	K005041480030S
MAIN PCB	D214		90M-HZ200220R	90M-HZ200220R	D,SWITCHING CHIP	KDS4148U FAST SWITCHING SOD-323(USC)	K005041480030S
MAIN PCB	D215		00D9630328409	00D9630328409	D,SWITCHING	1N4007 52REEL 1000V 1A	K000400700010S
MAIN PCB	D216		00D9630328409	00D9630328409	D,SWITCHING	1N4007 52REEL 1000V 1A	K000400700010S
MAIN PCB	D217		90M-HZ200220R	90M-HZ200220R	D,SWITCHING CHIP	KDS4148U FAST SWITCHING SOD-323(USC)	K005041480030S
MAIN PCB	D218		90M-HZ200220R	90M-HZ200220R	D,SWITCHING CHIP	KDS4148U FAST SWITCHING SOD-323(USC)	K005041480030S
MAIN PCB	FPC201		963606007540M	963606007540M	CN.FPC 1.25MM	1.25-2-23P 23P ST DIP	L131125022310S
MAIN PCB	GND302		nsp	nsp	TERMINAL	MET37-0002/TAPIG EARTH FITTING	3790040886000S
MAIN PCB	HS201,73		nsp	nsp	HEAT SINK	P656(DOM) P656 AL6063 40MM/SUB	2120000818020S
MAIN PCB	HS202,73		nsp	nsp	HEAT SINK	P656(DOM) P656 AL6063 40MM/SUB	2120000818020S
MAIN PCB	HS203,73		nsp	nsp	HEAT SINK	P656(DOM) P656 AL6063 40MM/SUB	2120000818020S

NOTE : *nsp* PART IS LISTED FOR REFERENCE ONLY, D&M WILL NOT SUPPLY THESE PARTS.

P.C.B. NAME	POS. NO.	VERS. COLOR	PART NO. (FOR EUR)	PART NO. (MZ)	PART NAME	DESCRIPTION
MAIN PCB	HS205,75		nsp	nsp	HEAT SINK	HEAT SINK REG TR(24X45) 2120044298010S
MAIN PCB	IC101		963239000650S	963239000650S	IC,ELECT VR	R2A15218FP-U00R 8CH-VOL WITH 11 INPUT QFP100P J084152180010S
MAIN PCB	IC102		963239007190M	963239007190M	IC,CPU MICRO PROCESS	M3030RFEFP FLASH(192K,6K)QFP100 J020303020030S
NOTE :  After replacing the IC102, overwrite the newest MAIN CPU firmware. (Refer to "6. UPDATE FIRMWARE" (11 page).)						
MAIN PCB	IC103		963248007560M	963248007560M	IC,MEMORY-EEPROM	FT24C08 8Kbit 2.5V TO 5.5V SOP8P J000240800020S
MAIN PCB	IC110		963239001880S	963239001880S	IC,LINEAR OP	AZ4580M-TRE1-SOIC8P/DUAL LOW NOISE OP AMP J121458000020S
MAIN PCB	IC201,70		00D9600159501	00D9600159501	IC,LINEAR-REGULATOR	KIA7805API,20W-TO220IS MOLD J126780500110S
MAIN PCB	IC202,71		00D9600100301	00D9600100301	IC,LINEAR-REGULATOR	KIA7812API,20W-TO220IS MOLD J126781200040S
MAIN PCB	IC203,72		00D2631099022	00D2631099022	IC,LINEAR-REGULATOR	KIA7912PI,20W-TO220IS MOLD J126791200060S
MAIN PCB	IC205,74		00D9630327400	00D9630327400	IC,LINEAR-REGULATOR	KIA7809API,20W-TO220IS MOLD J126780900020S
MAIN PCB	J109		nsp	nsp	CN,WIRE 1P	JUMPER (0.6/52MM) L045084006040S
MAIN PCB	J110		nsp	nsp	CN,WIRE 1P	JUMPER (0.6/52MM) L045084006040S
MAIN PCB	J113		nsp	nsp	CN,WIRE 1P	JUMPER (0.6/52MM) L045084006040S
MAIN PCB	J114		nsp	nsp	CN,WIRE 1P	JUMPER (0.6/52MM) L045084006040S
MAIN PCB	J115		nsp	nsp	CN,WIRE 1P	JUMPER (0.6/52MM) L045084006040S
MAIN PCB	J117		nsp	nsp	CN,WIRE 1P	JUMPER (0.6/52MM) L045084006040S
MAIN PCB	J118		nsp	nsp	CN,WIRE 1P	JUMPER (0.6/52MM) L045084006040S
MAIN PCB	J120		nsp	nsp	CN,WIRE 1P	JUMPER (0.6/52MM) L045084006040S
MAIN PCB	J121		nsp	nsp	CN,WIRE 1P	JUMPER (0.6/52MM) L045084006040S
MAIN PCB	J122		nsp	nsp	CN,WIRE 1P	JUMPER (0.6/52MM) L045084006040S
MAIN PCB	J123		nsp	nsp	CN,WIRE 1P	JUMPER (0.6/52MM) L045084006040S
MAIN PCB	J125		nsp	nsp	CN,WIRE 1P	JUMPER (0.6/52MM) L045084006040S
MAIN PCB	J126		nsp	nsp	CN,WIRE 1P	JUMPER (0.6/52MM) L045084006040S
MAIN PCB	J127		nsp	nsp	CN,WIRE 1P	JUMPER (0.6/52MM) L045084006040S
MAIN PCB	J128		nsp	nsp	CN,WIRE 1P	JUMPER (0.6/52MM) L045084006040S
MAIN PCB	J130		nsp	nsp	CN,WIRE 1P	JUMPER (0.6/52MM) L045084006040S
MAIN PCB	J131		nsp	nsp	CN,WIRE 1P	JUMPER (0.6/52MM) L045084006040S
MAIN PCB	J132		nsp	nsp	CN,WIRE 1P	JUMPER (0.6/52MM) L045084006040S
MAIN PCB	J133		nsp	nsp	CN,WIRE 1P	JUMPER (0.6/52MM) L045084006040S
MAIN PCB	J134		nsp	nsp	CN,WIRE 1P	JUMPER (0.6/52MM) L045084006040S
MAIN PCB	J135		nsp	nsp	CN,WIRE 1P	JUMPER (0.6/52MM) L045084006040S
MAIN PCB	J136		nsp	nsp	CN,WIRE 1P	JUMPER (0.6/52MM) L045084006040S
MAIN PCB	J137		nsp	nsp	CN,WIRE 1P	JUMPER (0.6/52MM) L045084006040S
MAIN PCB	J138		nsp	nsp	CN,WIRE 1P	JUMPER (0.6/52MM) L045084006040S
MAIN PCB	J139		nsp	nsp	CN,WIRE 1P	JUMPER (0.6/52MM) L045084006040S
MAIN PCB	J140		nsp	nsp	CN,WIRE 1P	JUMPER (0.6/52MM) L045084006040S
MAIN PCB	J141		nsp	nsp	CN,WIRE 1P	JUMPER (0.6/52MM) L045084006040S
MAIN PCB	J142		nsp	nsp	CN,WIRE 1P	JUMPER (0.6/52MM) L045084006040S
MAIN PCB	J143		nsp	nsp	CN,WIRE 1P	JUMPER (0.6/52MM) L045084006040S
MAIN PCB	J144		nsp	nsp	CN,WIRE 1P	JUMPER (0.6/52MM) L045084006040S
MAIN PCB	J145		nsp	nsp	CN,WIRE 1P	JUMPER (0.6/52MM) L045084006040S
MAIN PCB	J146		nsp	nsp	CN,WIRE 1P	JUMPER (0.6/52MM) L045084006040S
MAIN PCB	J147		nsp	nsp	CN,WIRE 1P	JUMPER (0.6/52MM) L045084006040S
MAIN PCB	J148		nsp	nsp	CN,WIRE 1P	JUMPER (0.6/52MM) L045084006040S
MAIN PCB	J149		nsp	nsp	CN,WIRE 1P	JUMPER (0.6/52MM) L045084006040S
MAIN PCB	J150		nsp	nsp	CN,WIRE 1P	JUMPER (0.6/52MM) L045084006040S
MAIN PCB	J151		nsp	nsp	CN,WIRE 1P	JUMPER (0.6/52MM) L045084006040S
MAIN PCB	J152		nsp	nsp	CN,WIRE 1P	JUMPER (0.6/52MM) L045084006040S
MAIN PCB	J153		nsp	nsp	CN,WIRE 1P	JUMPER (0.6/52MM) L045084006040S
MAIN PCB	J154		nsp	nsp	CN,WIRE 1P	JUMPER (0.6/52MM) L045084006040S
MAIN PCB	J155		nsp	nsp	CN,WIRE 1P	JUMPER (0.6/52MM) L045084006040S
MAIN PCB	J156		nsp	nsp	CN,WIRE 1P	JUMPER (0.6/52MM) L045084006040S
MAIN PCB	J157		nsp	nsp	CN,WIRE 1P	JUMPER (0.6/52MM) L045084006040S
MAIN PCB	J158		nsp	nsp	CN,WIRE 1P	JUMPER (0.6/52MM) L045084006040S
MAIN PCB	J159		nsp	nsp	CN,WIRE 1P	JUMPER (0.6/52MM) L045084006040S
MAIN PCB	J181		nsp	nsp	CN,WIRE 1P	JUMPER (0.6/52MM) L045084006040S
MAIN PCB	J182		nsp	nsp	CN,WIRE 1P	JUMPER (0.6/52MM) L045084006040S
MAIN PCB	J183		nsp	nsp	CN,WIRE 1P	JUMPER (0.6/52MM) L045084006040S
MAIN PCB	J184	N1	nsp	nsp	CN,WIRE 1P	JUMPER (0.6/52MM) L045084006040S
MAIN PCB	J185		nsp	nsp	CN,WIRE 1P	JUMPER (0.6/52MM) L045084006040S
MAIN PCB	J186		nsp	nsp	CN,WIRE 1P	JUMPER (0.6/52MM) L045084006040S
MAIN PCB	J187		nsp	nsp	CN,WIRE 1P	JUMPER (0.6/52MM) L045084006040S
MAIN PCB	J188		nsp	nsp	CN,WIRE 1P	JUMPER (0.6/52MM) L045084006040S
MAIN PCB	J189		nsp	nsp	CN,WIRE 1P	JUMPER (0.6/52MM) L045084006040S
MAIN PCB	J190		00D2760401905	00D2760401905	D,SWITCHING	1SS133T-72-52MM K000013300520S
MAIN PCB	J191		nsp	nsp	CN,WIRE 1P	JUMPER (0.6/52MM) L045084006040S
MAIN PCB	J192		nsp	nsp	CN,WIRE 1P	JUMPER (0.6/52MM) L045084006040S
MAIN PCB	J193		nsp	nsp	CN,WIRE 1P	JUMPER (0.6/52MM) L045084006040S
MAIN PCB	J194		nsp	nsp	CN,WIRE 1P	JUMPER (0.6/52MM) L045084006040S
MAIN PCB	J197		nsp	nsp	CN,WIRE 1P	JUMPER (0.6/52MM) L045084006040S
MAIN PCB	J198		nsp	nsp	CN,WIRE 1P	JUMPER (0.6/52MM) L045084006040S
MAIN PCB	J199		nsp	nsp	CN,WIRE 1P	JUMPER (0.6/52MM) L045084006040S

NOTE : "nsp" PART IS LISTED FOR REFERENCE ONLY, D&M WILL NOT SUPPLY THESE PARTS.

P.C.B. NAME	POS. NO.	VERS. COLOR	PART NO. (FOR EUR)	PART NO. (MZ)	PART NAME	DESCRIPTION	
MAIN PCB	J278		nsp	nsp	CN,WIRE 1P	JUMPER (0.6/52MM)	L045084006040S
MAIN PCB	J279		nsp	nsp	CN,WIRE 1P	JUMPER (0.6/52MM)	L045084006040S
MAIN PCB	J280		nsp	nsp	CN,WIRE 1P	JUMPER (0.6/52MM)	L045084006040S
MAIN PCB	J281		nsp	nsp	CN,WIRE 1P	JUMPER (0.6/52MM)	L045084006040S
MAIN PCB	J282		nsp	nsp	CN,WIRE 1P	JUMPER (0.6/52MM)	L045084006040S
MAIN PCB	J283		nsp	nsp	CN,WIRE 1P	JUMPER (0.6/52MM)	L045084006040S
MAIN PCB	J284		nsp	nsp	CN,WIRE 1P	JUMPER (0.6/52MM)	L045084006040S
MAIN PCB	J285		nsp	nsp	CN,WIRE 1P	JUMPER (0.6/52MM)	L045084006040S
MAIN PCB	J286		nsp	nsp	CN,WIRE 1P	JUMPER (0.6/52MM)	L045084006040S
MAIN PCB	J287		nsp	nsp	CN,WIRE 1P	JUMPER (0.6/52MM)	L045084006040S
MAIN PCB	J289		nsp	nsp	CN,WIRE 1P	JUMPER (0.6/52MM)	L045084006040S
MAIN PCB	J290		nsp	nsp	CN,WIRE 1P	JUMPER (0.6/52MM)	L045084006040S
MAIN PCB	J291		nsp	nsp	CN,WIRE 1P	JUMPER (0.6/52MM)	L045084006040S
MAIN PCB	J292		nsp	nsp	CN,WIRE 1P	JUMPER (0.6/52MM)	L045084006040S
MAIN PCB	J293		nsp	nsp	CN,WIRE 1P	JUMPER (0.6/52MM)	L045084006040S
MAIN PCB	J294		nsp	nsp	CN,WIRE 1P	JUMPER (0.6/52MM)	L045084006040S
MAIN PCB	J295		nsp	nsp	CN,WIRE 1P	JUMPER (0.6/52MM)	L045084006040S
MAIN PCB	J297		nsp	nsp	CN,WIRE 1P	JUMPER (0.6/52MM)	L045084006040S
MAIN PCB	J298		nsp	nsp	CN,WIRE 1P	JUMPER (0.6/52MM)	L045084006040S
MAIN PCB	J299		nsp	nsp	CN,WIRE 1P	JUMPER (0.6/52MM)	L045084006040S
MAIN PCB	J300		nsp	nsp	CN,WIRE 1P	JUMPER (0.6/52MM)	L045084006040S
MAIN PCB	JACK101,68		963646007620M	963646007620M	TER,RCA 6PIN	RCA-603B-05 NI(WWW,RRR)GND=0	G603603B0500YS
MAIN PCB	JACK102,68		963646007620M	963646007620M	TER,RCA 6PIN	RCA-603B-05 NI(WWW,RRR)GND=0	G603603B0500YS
MAIN PCB	JACK103,67		963646007630M	963646007630M	TER,RCA 3PIN	RCA-303B1-28 (BK,OR,OR) YUQIU	G606303B1280YS
MAIN PCB	JACK104,65		00D9630119906	00D9630119906	TER,BOARD SCREW 8P	JB-801A(V0)-02 RD,RD,RD,RD,BK,BK,BK,BK	G614801A0200YS
MAIN PCB	JACK105		00D9630158608	00D9630158608	TER,BOARD SCREW 2P	JB-201A(V0)-02(RD,BK)	G611201A0200YS
MAIN PCB	JACK106		963646007640M	963646007640M	TER,BOARD PUSH 4P	PTB-408SA(III)-03(RD,RD,BK,BK)	G594408SA030YS
MAIN PCB	PACK101	U1B	nsp	963183003630S	TUNER,FM/AM	KST-MT001MV0-0S 3GANG+MW+75US	E903001000030S
MAIN PCB	PACK101	K1SG	nsp	963183003730D	TUNER,FM/AM	KST-MT004MV1-0 4GANG+MW+50US	E903004100040S
MAIN PCB	PACK101	F	nsp	963183007650M	TUNER,FM/AM	KST-MT006MV1-0 FM/MW+50US (JAPAN WIDE)	E903006100011S
MAIN PCB	PACK101	N1	963183007660M	963183007660M	TUNER,FM/AM	KST-MT104MV1-1A 4GANG+MW+50US+RDS	E903104100022S
MAIN PCB	Q101		90M-BA001650R	90M-BA001650R	SEMI,CHIP TR/NPN 2SC	KRC105S (NE) 0.2W/SOT-23 REEL	J522010500210S
MAIN PCB	Q102		90M-BA001650R	90M-BA001650R	SEMI,CHIP TR/NPN 2SC	KRC105S (NE) 0.2W/SOT-23 REEL	J522010500210S
MAIN PCB	Q103		90M-BA001650R	90M-BA001650R	SEMI,CHIP TR/NPN 2SC	KRC105S (NE) 0.2W/SOT-23 REEL	J522010500210S
MAIN PCB	Q104		90M-BA001650R	90M-BA001650R	SEMI,CHIP TR/NPN 2SC	KRC105S (NE) 0.2W/SOT-23 REEL	J522010500210S
MAIN PCB	Q105		90M-BA001650R	90M-BA001650R	SEMI,CHIP TR/NPN 2SC	KRC105S (NE) 0.2W/SOT-23 REEL	J522010500210S
MAIN PCB	Q111		00D9600005202	00D9600005202	SEMI,TR/GE NPN 2SC	KTC3198Y,0.6W/TO92-REEL	J5023198Y0000S
MAIN PCB	Q112		90M-BA001560R	90M-BA001560R	SEMI,CHIP TR/NPN 2SC	KRC102S (NB) 0.2W/SOT-23 REEL	J522010200210S
MAIN PCB	Q113		90M-BA001230R	90M-BA001230R	SEMI,CHIP TR/PNP 2SA	KRA102S(PB) 0.2W/SOT-23 REEL	J520010200210S
MAIN PCB	Q114		90M-BA001230R	90M-BA001230R	SEMI,CHIP TR/PNP 2SA	KRA102S(PB) 0.2W/SOT-23 REEL	J520010200210S
MAIN PCB	Q115		90M-BA001560R	90M-BA001560R	SEMI,CHIP TR/NPN 2SC	KRC102S (NB) 0.2W/SOT-23 REEL	J522010200210S
MAIN PCB	Q116		90M-BA001560R	90M-BA001560R	SEMI,CHIP TR/NPN 2SC	KRC102S (NB) 0.2W/SOT-23 REEL	J522010200210S
MAIN PCB	Q117		90M-BA001560R	90M-BA001560R	SEMI,CHIP TR/NPN 2SC	KRC102S (NB) 0.2W/SOT-23 REEL	J522010200210S
MAIN PCB	Q121		00D9600196302	00D9600196302	SEMI,TR/GE PNP 2SA	KTA1268BL,0.3W/TO92-REEL	J5001268B0050S
MAIN PCB	Q122		00D9600005202	00D9600005202	SEMI,TR/GE NPN 2SC	KTC3198Y,0.6W/TO92-REEL	J5023198Y0000S
MAIN PCB	Q131		963219003170S	963219003170S	SEMI,CHIP TR/PNP 2SA	KRA105S(PE) 0.2W/SOT-23 REEL	J520010500210S
MAIN PCB	Q132		963219003170S	963219003170S	SEMI,CHIP TR/PNP 2SA	KRA105S(PE) 0.2W/SOT-23 REEL	J520010500210S
MAIN PCB	Q133		963219003170S	963219003170S	SEMI,CHIP TR/PNP 2SA	KRA105S(PE) 0.2W/SOT-23 REEL	J520010500210S
MAIN PCB	Q134		963219003170S	963219003170S	SEMI,CHIP TR/PNP 2SA	KRA105S(PE) 0.2W/SOT-23 REEL	J520010500210S
MAIN PCB	Q135		963219003170S	963219003170S	SEMI,CHIP TR/PNP 2SA	KRA105S(PE) 0.2W/SOT-23 REEL	J520010500210S
MAIN PCB	Q136		963219003170S	963219003170S	SEMI,CHIP TR/PNP 2SA	KRA105S(PE) 0.2W/SOT-23 REEL	J520010500210S
MAIN PCB	Q141		00D9630044301	00D9630044301	SEMI,CHIP TR/NPN 2SC	KTC2875B(MB) 0.15W/LOW-ON-RES SOT23(RTK)-REEL	J5222875B0010S
MAIN PCB	Q142		00D9630044301	00D9630044301	SEMI,CHIP TR/NPN 2SC	KTC2875B(MB) 0.15W/LOW-ON-RES SOT23(RTK)-REEL	J5222875B0010S
MAIN PCB	Q143		00D9630044301	00D9630044301	SEMI,CHIP TR/NPN 2SC	KTC2875B(MB) 0.15W/LOW-ON-RES SOT23(RTK)-REEL	J5222875B0010S
MAIN PCB	Q144		00D9630044301	00D9630044301	SEMI,CHIP TR/NPN 2SC	KTC2875B(MB) 0.15W/LOW-ON-RES SOT23(RTK)-REEL	J5222875B0010S
MAIN PCB	Q145		00D9630044301	00D9630044301	SEMI,CHIP TR/NPN 2SC	KTC2875B(MB) 0.15W/LOW-ON-RES SOT23(RTK)-REEL	J5222875B0010S
MAIN PCB	Q146		00D9630044301	00D9630044301	SEMI,CHIP TR/NPN 2SC	KTC2875B(MB) 0.15W/LOW-ON-RES SOT23(RTK)-REEL	J5222875B0010S
MAIN PCB	Q147		00D9630044301	00D9630044301	SEMI,CHIP TR/NPN 2SC	KTC2875B(MB) 0.15W/LOW-ON-RES SOT23(RTK)-REEL	J5222875B0010S
MAIN PCB	Q148		00D9630044301	00D9630044301	SEMI,CHIP TR/NPN 2SC	KTC2875B(MB) 0.15W/LOW-ON-RES SOT23(RTK)-REEL	J5222875B0010S
MAIN PCB	Q149		00D9630044301	00D9630044301	SEMI,CHIP TR/NPN 2SC	KTC2875B(MB) 0.15W/LOW-ON-RES SOT23(RTK)-REEL	J5222875B0010S
MAIN PCB	Q150		00D9630044301	00D9630044301	SEMI,CHIP TR/NPN 2SC	KTC2875B(MB) 0.15W/LOW-ON-RES SOT23(RTK)-REEL	J5222875B0010S
MAIN PCB	Q201		00D9600005202	00D9600005202	SEMI,TR/GE NPN 2SC	KTC3198Y,0.6W/TO92-REEL	J5023198Y0000S
MAIN PCB	Q202		00D9600005202	00D9600005202	SEMI,TR/GE NPN 2SC	KTC3198Y,0.6W/TO92-REEL	J5023198Y0000S
MAIN PCB	Q203		00D9600196302	00D9600196302	SEMI,TR/GE PNP 2SA	KTA1268BL,0.3W/TO92-REEL	J5001268B0050S
MAIN PCB	Q204		00D9600005202	00D9600005202	SEMI,TR/GE NPN 2SC	KTC3198Y,0.6W/TO92-REEL	J5023198Y0000S
MAIN PCB	Q205		00D9600005202	00D9600005202	SEMI,TR/GE NPN 2SC	KTC3198Y,0.6W/TO92-REEL	J5023198Y0000S
MAIN PCB	Q206		00D9600196302	00D9600196302	SEMI,TR/GE PNP 2SA	KTA1268BL,0.3W/TO92-REEL	J5001268B0050S
MAIN PCB	Q207		00D9600005202	00D9600005202	SEMI,TR/GE NPN 2SC	KTC3198Y,0.6W/TO92-REEL	J5023198Y0000S
MAIN PCB	Q208		00D9600005202	00D9600005202	SEMI,TR/GE NPN 2SC	KTC3198Y,0.6W/TO92-REEL	J5023198Y0000S

NOTE : "nsp" PART IS LISTED FOR REFERENCE ONLY, D&M WILL NOT SUPPLY THESE PARTS.

P.C.B. NAME	POS. NO.	VERS. COLOR	PART NO. (FOR EUR)	PART NO. (MZ)	PART NAME	DESCRIPTION
MAIN PCB	Q209		00D9600196302	00D9600196302	SEMI,TR/GE PNP 2SA	KTA1268BL,0.3W/TO92-REEL J5001268B0050S
MAIN PCB	Q210		00D9600005202	00D9600005202	SEMI,TR/GE NPN 2SC	KTC3198Y,0.6W/TO92-REEL J5023198Y0000S
MAIN PCB	Q211		00D9600196302	00D9600196302	SEMI,TR/GE PNP 2SA	KTA1268BL,0.3W/TO92-REEL J5001268B0050S
MAIN PCB	Q212		00D9630121509	00D9630121509	SEMI,CHIP TR/NPN 2SC	KTC3875S 0.15W SOT-23 REEL J522038750210S
MAIN PCB	Q213		00D9630121509	00D9630121509	SEMI,CHIP TR/NPN 2SC	KTC3875S 0.15W SOT-23 REEL J522038750210S
MAIN PCB	Q214		00D9600133103	00D9600133103	SEMI,TR/GE PNP 2SA	KSA916Y,0.9W/TO92L-REEL J5000916Y0050S
MAIN PCB	Q215		90M-BA001650R	90M-BA001650R	SEMI,CHIP TR/NPN 2SC	KRC105S (NE) 0.2W/SOT-23 REEL J522010500210S
MAIN PCB	Q216		00D9600196302	00D9600196302	SEMI,TR/GE PNP 2SA	KTA1268BL,0.3W/TO92-REEL J5001268B0050S
MAIN PCB	Q217		00D9600196302	00D9600196302	SEMI,TR/GE PNP 2SA	KTA1268BL,0.3W/TO92-REEL J5001268B0050S
MAIN PCB	R101L		nsp	nsp	R,CHIP THICK	470-J,1/16W-1608REEL C20004716M160S
MAIN PCB	R101R		nsp	nsp	R,CHIP THICK	470-J,1/16W-1608REEL C20004716M160S
MAIN PCB	R102L		nsp	nsp	R,CHIP THICK	100K-J,1/16W-1608REEL C20001046M160S
MAIN PCB	R102R		nsp	nsp	R,CHIP THICK	100K-J,1/16W-1608REEL C20001046M160S
MAIN PCB	R103L		nsp	nsp	R,CHIP THICK	470-J,1/16W-1608REEL C20004716M160S
MAIN PCB	R103R		nsp	nsp	R,CHIP THICK	470-J,1/16W-1608REEL C20004716M160S
MAIN PCB	R104L		nsp	nsp	R,CHIP THICK	100K-J,1/16W-1608REEL C20001046M160S
MAIN PCB	R104R		nsp	nsp	R,CHIP THICK	100K-J,1/16W-1608REEL C20001046M160S
MAIN PCB	R105L		nsp	nsp	R,CHIP THICK	470-J,1/16W-1608REEL C20004716M160S
MAIN PCB	R105R		nsp	nsp	R,CHIP THICK	470-J,1/16W-1608REEL C20004716M160S
MAIN PCB	R106L		nsp	nsp	R,CHIP THICK	100K-J,1/16W-1608REEL C20001046M160S
MAIN PCB	R106R		nsp	nsp	R,CHIP THICK	100K-J,1/16W-1608REEL C20001046M160S
MAIN PCB	R107L		nsp	nsp	R,CHIP THICK	1K-J,1/16W-1608REEL C20001026M160S
MAIN PCB	R107R		nsp	nsp	R,CHIP THICK	1K-J,1/16W-1608REEL C20001026M160S
MAIN PCB	R108L		nsp	nsp	R,CHIP THICK	220K-J,1/16W-1608REEL C20002246M160S
MAIN PCB	R108R		nsp	nsp	R,CHIP THICK	220K-J,1/16W-1608REEL C20002246M160S
MAIN PCB	R109L		nsp	nsp	R,CHIP THICK	470-J,1/16W-1608REEL C20004716M160S
MAIN PCB	R109R		nsp	nsp	R,CHIP THICK	470-J,1/16W-1608REEL C20004716M160S
MAIN PCB	R110L		nsp	nsp	R,CHIP THICK	100K-J,1/16W-1608REEL C20001046M160S
MAIN PCB	R110R		nsp	nsp	R,CHIP THICK	100K-J,1/16W-1608REEL C20001046M160S
MAIN PCB	R111L		nsp	nsp	R,CHIP THICK	470-J,1/16W-1608REEL C20004716M160S
MAIN PCB	R111R		nsp	nsp	R,CHIP THICK	470-J,1/16W-1608REEL C20004716M160S
MAIN PCB	R112L		nsp	nsp	R,CHIP THICK	100K-J,1/16W-1608REEL C20001046M160S
MAIN PCB	R112R		nsp	nsp	R,CHIP THICK	100K-J,1/16W-1608REEL C20001046M160S
MAIN PCB	R113C		nsp	nsp	R,CHIP THICK	470K-J,1/16W-1608REEL C20004746M160S
MAIN PCB	R113FL		nsp	nsp	R,CHIP THICK	470K-J,1/16W-1608REEL C20004746M160S
MAIN PCB	R113FR		nsp	nsp	R,CHIP THICK	470K-J,1/16W-1608REEL C20004746M160S
MAIN PCB	R113SBL		nsp	nsp	R,CHIP THICK	470K-J,1/16W-1608REEL C20004746M160S
MAIN PCB	R113SBR		nsp	nsp	R,CHIP THICK	470K-J,1/16W-1608REEL C20004746M160S
MAIN PCB	R113SL		nsp	nsp	R,CHIP THICK	470K-J,1/16W-1608REEL C20004746M160S
MAIN PCB	R113SR		nsp	nsp	R,CHIP THICK	470K-J,1/16W-1608REEL C20004746M160S
MAIN PCB	R113SW		nsp	nsp	R,CHIP THICK	470K-J,1/16W-1608REEL C20004746M160S
MAIN PCB	R114L		nsp	nsp	R,CHIP THICK	1K-J,1/16W-1608REEL C20001026M160S
MAIN PCB	R114R		nsp	nsp	R,CHIP THICK	1K-J,1/16W-1608REEL C20001026M160S
MAIN PCB	R115SW		nsp	nsp	R,CHIP THICK	100-J,1/16W-1608REEL C20001016M160S
MAIN PCB	R116SW		nsp	nsp	R,CHIP THICK	47K-J,1/16W-1608REEL C20004736M160S
MAIN PCB	R117SW		nsp	nsp	R,CHIP THICK	15K-J,1/16W-1608REEL C20001536M160S
MAIN PCB	R118SW		nsp	nsp	R,CHIP THICK	33K-J,1/16W-1608REEL C20003336M160S
MAIN PCB	R120SW		nsp	nsp	R,CHIP THICK	22K-J,1/16W-1608REEL C20002236M160S
MAIN PCB	R121M		nsp	nsp	R,CHIP THICK	100-J,1/16W-1608REEL C20001016M160S
MAIN PCB	R121SW		nsp	nsp	R,CARBON FILM	100-J,1/5W-52RE-AX C00001016P520S
MAIN PCB	R122SW		nsp	nsp	R,CHIP THICK	100K-J,1/16W-1608REEL C20001046M160S
MAIN PCB	R123SW		nsp	nsp	R,CHIP THICK	100-J,1/16W-1608REEL C20001016M160S
MAIN PCB	R124SW		nsp	nsp	R,CHIP THICK	150-J,1/16W-1608REEL C20001516M160S
MAIN PCB	R125M		nsp	nsp	R,CHIP THICK	2.2K-J,1/16W-1608REEL C20002226M160S
MAIN PCB	R125SW		nsp	nsp	R,CHIP THICK	2.2K-J,1/16W-1608REEL C20002226M160S
MAIN PCB	R126C		nsp	nsp	R,CHIP THICK	470-J,1/16W-1608REEL C20004716M160S
MAIN PCB	R126L		nsp	nsp	R,CHIP THICK	470-J,1/16W-1608REEL C20004716M160S
MAIN PCB	R126R		nsp	nsp	R,CHIP THICK	470-J,1/16W-1608REEL C20004716M160S
MAIN PCB	R126SBL		nsp	nsp	R,CHIP THICK	470-J,1/16W-1608REEL C20004716M160S
MAIN PCB	R126SBR		nsp	nsp	R,CHIP THICK	470-J,1/16W-1608REEL C20004716M160S
MAIN PCB	R126SL		nsp	nsp	R,CHIP THICK	470-J,1/16W-1608REEL C20004716M160S
MAIN PCB	R126SR		nsp	nsp	R,CHIP THICK	470-J,1/16W-1608REEL C20004716M160S
MAIN PCB	R126SW		nsp	nsp	R,CHIP THICK	4.7K-J,1/16W-1608REEL C20004726M160S
MAIN PCB	R127C		nsp	nsp	R,CHIP THICK	1K-J,1/16W-1608REEL C20001026M160S
MAIN PCB	R127F		nsp	nsp	R,CHIP THICK	1K-J,1/16W-1608REEL C20001026M160S
MAIN PCB	R127M		nsp	nsp	R,CHIP THICK	1K-J,1/16W-1608REEL C20001026M160S
MAIN PCB	R127S		nsp	nsp	R,CHIP THICK	1K-J,1/16W-1608REEL C20001026M160S
MAIN PCB	R127SB		nsp	nsp	R,CHIP THICK	1K-J,1/16W-1608REEL C20001026M160S
MAIN PCB	R127SW		nsp	nsp	R,CHIP THICK	1K-J,1/16W-1608REEL C20001026M160S
MAIN PCB	R128C		nsp	nsp	R,CARBON FILM	470K-J,1/5W-52RE-AX C00004746P520S
MAIN PCB	R128F		nsp	nsp	R,CARBON FILM	470K-J,1/5W-52RE-AX C00004746P520S
MAIN PCB	R128M		nsp	nsp	R,CHIP THICK	220K-J,1/16W-1608REEL C20002246M160S
MAIN PCB	R128S		nsp	nsp	R,CARBON FILM	470K-J,1/5W-52RE-AX C00004746P520S
MAIN PCB	R128SB		nsp	nsp	R,CHIP THICK	470K-J,1/16W-1608REEL C20004746M160S
MAIN PCB	R128SW		nsp	nsp	R,CHIP THICK	10K-J,1/16W-1608REEL C20001036M160S
MAIN PCB	R129C		nsp	nsp	R,CHIP THICK	2.2K-J,1/16W-1608REEL C20002226M160S

NOTE : *nsp* PART IS LISTED FOR REFERENCE ONLY, D&M WILL NOT SUPPLY THESE PARTS.

P.C.B. NAME	POS. NO.	VERS. COLOR	PART NO. (FOR EUR)	PART NO. (MZ)	PART NAME	DESCRIPTION	
MAIN PCB	R129L		nsp	nsp	R,CHIP THICK	2.2K-J,1/16W-1608REEL	C20002226M160S
MAIN PCB	R129R		nsp	nsp	R,CHIP THICK	2.2K-J,1/16W-1608REEL	C20002226M160S
MAIN PCB	R129SBL		nsp	nsp	R,CHIP THICK	2.2K-J,1/16W-1608REEL	C20002226M160S
MAIN PCB	R129SBR		nsp	nsp	R,CHIP THICK	2.2K-J,1/16W-1608REEL	C20002226M160S
MAIN PCB	R129SL		nsp	nsp	R,CHIP THICK	2.2K-J,1/16W-1608REEL	C20002226M160S
MAIN PCB	R129SR		nsp	nsp	R,CHIP THICK	2.2K-J,1/16W-1608REEL	C20002226M160S
MAIN PCB	R130C		nsp	nsp	R,CHIP THICK	100K-J,1/16W-1608REEL	C20001046M160S
MAIN PCB	R130L		nsp	nsp	R,CHIP THICK	100K-J,1/16W-1608REEL	C20001046M160S
MAIN PCB	R130R		nsp	nsp	R,CHIP THICK	100K-J,1/16W-1608REEL	C20001046M160S
MAIN PCB	R130SBL		nsp	nsp	R,CHIP THICK	100K-J,1/16W-1608REEL	C20001046M160S
MAIN PCB	R130SBR		nsp	nsp	R,CHIP THICK	100K-J,1/16W-1608REEL	C20001046M160S
MAIN PCB	R130SL		nsp	nsp	R,CHIP THICK	100K-J,1/16W-1608REEL	C20001046M160S
MAIN PCB	R130SR		nsp	nsp	R,CHIP THICK	100K-J,1/16W-1608REEL	C20001046M160S
MAIN PCB	R131C		nsp	nsp	R,CARBON FILM	1K-J,1/5W-52RE-AX	C00001026P520S
MAIN PCB	R131FL		nsp	nsp	R,CARBON FILM	1K-J,1/5W-52RE-AX	C00001026P520S
MAIN PCB	R131FR		nsp	nsp	R,CARBON FILM	1K-J,1/5W-52RE-AX	C00001026P520S
MAIN PCB	R131SBL		nsp	nsp	R,CARBON FILM	1K-J,1/5W-52RE-AX	C00001026P520S
MAIN PCB	R131SBR		nsp	nsp	R,CARBON FILM	1K-J,1/5W-52RE-AX	C00001026P520S
MAIN PCB	R131SL		nsp	nsp	R,CARBON FILM	1K-J,1/5W-52RE-AX	C00001026P520S
MAIN PCB	R131SR		nsp	nsp	R,CARBON FILM	1K-J,1/5W-52RE-AX	C00001026P520S
MAIN PCB	R132C		nsp	nsp	R,CHIP THICK	470K-J,1/16W-1608REEL	C20004746M160S
MAIN PCB	R132F		nsp	nsp	R,CHIP THICK	470K-J,1/16W-1608REEL	C20004746M160S
MAIN PCB	R132M		nsp	nsp	R,CHIP THICK	470K-J,1/16W-1608REEL	C20004746M160S
MAIN PCB	R132S		nsp	nsp	R,CHIP THICK	470K-J,1/16W-1608REEL	C20004746M160S
MAIN PCB	R132SB		nsp	nsp	R,CHIP THICK	470K-J,1/16W-1608REEL	C20004746M160S
MAIN PCB	R132SW		nsp	nsp	R,CHIP THICK	470K-J,1/16W-1608REEL	C20004746M160S
MAIN PCB	R134L		nsp	nsp	R,CHIP THICK	470K-J,1/16W-1608REEL	C20004746M160S
MAIN PCB	R134R		nsp	nsp	R,CHIP THICK	470K-J,1/16W-1608REEL	C20004746M160S
MAIN PCB	R135L		nsp	nsp	R,CHIP THICK	470K-J,1/16W-1608REEL	C20004746M160S
MAIN PCB	R135R		nsp	nsp	R,CHIP THICK	470K-J,1/16W-1608REEL	C20004746M160S
MAIN PCB	R136L		nsp	nsp	R,CHIP THICK	470K-J,1/16W-1608REEL	C20004746M160S
MAIN PCB	R136R		nsp	nsp	R,CHIP THICK	470K-J,1/16W-1608REEL	C20004746M160S
MAIN PCB	R137L		nsp	nsp	R,CHIP THICK	470K-J,1/16W-1608REEL	C20004746M160S
MAIN PCB	R137R		nsp	nsp	R,CHIP THICK	470K-J,1/16W-1608REEL	C20004746M160S
MAIN PCB	R138L		nsp	nsp	R,CHIP THICK	470K-J,1/16W-1608REEL	C20004746M160S
MAIN PCB	R138R		nsp	nsp	R,CHIP THICK	470K-J,1/16W-1608REEL	C20004746M160S
MAIN PCB	R139L		nsp	nsp	R,CHIP THICK	470K-J,1/16W-1608REEL	C20004746M160S
MAIN PCB	R139R		nsp	nsp	R,CHIP THICK	470K-J,1/16W-1608REEL	C20004746M160S
MAIN PCB	R141		nsp	nsp	R,CHIP THICK	0-J,1/16W-1608REEL	C20000006M160S
MAIN PCB	R142		nsp	nsp	R,CHIP THICK	0-J,1/16W-1608REEL	C20000006M160S
MAIN PCB	R143		nsp	nsp	R,CHIP THICK	33-J,1/16W-1608REEL	C20003306M160S
MAIN PCB	R144		nsp	nsp	R,CHIP THICK	33-J,1/16W-1608REEL	C20003306M160S
MAIN PCB	R145		nsp	nsp	R,CHIP THICK	33-J,1/16W-1608REEL	C20003306M160S
MAIN PCB	R146		nsp	nsp	R,CHIP THICK	33-J,1/16W-1608REEL	C20003306M160S
MAIN PCB	R147	N1	nsp	nsp	R,CHIP THICK	33-J,1/16W-1608REEL	C20003306M160S
MAIN PCB	R148	N1	nsp	nsp	R,CHIP THICK	33-J,1/16W-1608REEL	C20003306M160S
MAIN PCB	R151C		00MGA05100010	00MGA05100010	R,METAL FILM 100PPM	10-J,1W-R.REEL	C060010065050S
MAIN PCB	R151FL		00MGA05100010	00MGA05100010	R,METAL FILM 100PPM	10-J,1W-R.REEL	C060010065050S
MAIN PCB	R151FR		00MGA05100010	00MGA05100010	R,METAL FILM 100PPM	10-J,1W-R.REEL	C060010065050S
MAIN PCB	R151SBL		00MGA05100010	00MGA05100010	R,METAL FILM 100PPM	10-J,1W-R.REEL	C060010065050S
MAIN PCB	R151SBR		00MGA05100010	00MGA05100010	R,METAL FILM 100PPM	10-J,1W-R.REEL	C060010065050S
MAIN PCB	R151SL		00MGA05100010	00MGA05100010	R,METAL FILM 100PPM	10-J,1W-R.REEL	C060010065050S
MAIN PCB	R151SR		00MGA05100010	00MGA05100010	R,METAL FILM 100PPM	10-J,1W-R.REEL	C060010065050S
MAIN PCB	R152C		nsp	nsp	R,CHIP THICK	22K-J,1/16W-1608REEL	C20002236M160S
MAIN PCB	R152FL		nsp	nsp	R,CHIP THICK	22K-J,1/16W-1608REEL	C20002236M160S
MAIN PCB	R152FR		nsp	nsp	R,CARBON FILM	22K-J,1/5W-52RE-AX	C00002236P520S
MAIN PCB	R152SBL		nsp	nsp	R,CHIP THICK	22K-J,1/16W-1608REEL	C20002236M160S
MAIN PCB	R152SBR		nsp	nsp	R,CHIP THICK	22K-J,1/16W-1608REEL	C20002236M160S
MAIN PCB	R152SL		nsp	nsp	R,CHIP THICK	22K-J,1/16W-1608REEL	C20002236M160S
MAIN PCB	R152SR		nsp	nsp	R,CHIP THICK	22K-J,1/16W-1608REEL	C20002236M160S
MAIN PCB	R153L		963125007680M	963125007680M	R,METAL FILM 100PPM	RES MF 330 2W 5%	C060033166520S
MAIN PCB	R153R		963125007680M	963125007680M	R,METAL FILM 100PPM	RES MF 330 2W 5%	C060033166520S
MAIN PCB	R161		nsp	nsp	R,CHIP THICK	560K-J,1/16W-1608REEL	C20005646M160S
MAIN PCB	R162		nsp	nsp	R,CARBON FILM	2.2K-J,1/5W-52RE-AX	C00002226P520S
MAIN PCB	R163		nsp	nsp	R,CHIP THICK	2.2K-J,1/16W-1608REEL	C20002226M160S
MAIN PCB	R164		nsp	nsp	R,CHIP THICK	3.6K-J,1/16W-1608REEL	C20003626M160S
MAIN PCB	R165		nsp	nsp	R,CARBON FILM	2.2K-J,1/5W-52RE-AX	C00002226P520S
MAIN PCB	R166		nsp	nsp	R,CHIP THICK	2.2K-J,1/16W-1608REEL	C20002226M160S
MAIN PCB	R167		nsp	nsp	R,CHIP THICK	10K-J,1/16W-1608REEL	C20001036M160S
MAIN PCB	R168		nsp	nsp	R,CARBON FILM	470-J,1/5W-52RE-AX	C00004716P520S
MAIN PCB	R169		nsp	nsp	R,CARBON FILM	470-J,1/5W-52RE-AX	C00004716P520S
MAIN PCB	R171		nsp	nsp	R,CHIP THICK	47-J,1/16W-1608REEL	C20004706M160S
MAIN PCB	R172		nsp	nsp	R,CHIP THICK	47K-J,1/16W-1608REEL	C20004736M160S
MAIN PCB	R173		nsp	nsp	R,CHIP THICK	18K-J,1/16W-1608REEL	C20001836M160S
MAIN PCB	R174		nsp	nsp	R,CHIP THICK	33K-J,1/16W-1608REEL	C20003336M160S
MAIN PCB	R175		nsp	nsp	R,CHIP THICK	10K-J,1/16W-1608REEL	C20001036M160S

NOTE : "nsp" PART IS LISTED FOR REFERENCE ONLY, D&M WILL NOT SUPPLY THESE PARTS.

P.C.B. NAME	POS. NO.	VERS. COLOR	PART NO. (FOR EUR)	PART NO. (MZ)	PART NAME	DESCRIPTION
MAIN PCB	R176		nsp	nsp	R,CHIP THICK	10K-J,1/16W-1608REEL C20001036M160S
MAIN PCB	R177		nsp	nsp	R,CARBON FILM	47K-J,1/5W-52RE-AX C00004736P520S
MAIN PCB	R178		nsp	nsp	R,CHIP THICK	4.7K-J,1/16W-1608REEL C20004726M160S
MAIN PCB	R182		00D9639005639	00D9639005639	R,METAL FILM 100PPM	100-J,1W-R.REEL C060010165060S
MAIN PCB	R183		00D9639005639	00D9639005639	R,METAL FILM 100PPM	100-J,1W-R.REEL C060010165060S
MAIN PCB	R186		nsp	nsp	R,CHIP THICK	4.7K-J,1/16W-1608REEL C20004726M160S
MAIN PCB	R201		nsp	nsp	R,METAL FILM 100PPM	0.22-J,1W-R.REEL C060R22065050S
MAIN PCB	R202		nsp	nsp	R,METAL FILM 100PPM	0.22-J,1W-R.REEL C060R22065050S
MAIN PCB	R203		nsp	nsp	R,METAL FILM 100PPM	0.22-J,1W-R.REEL C060R22065050S
MAIN PCB	R204		nsp	nsp	R,METAL FILM 100PPM	0.22-J,1W-R.REEL C060R22065050S
MAIN PCB	R205		nsp	nsp	R,CHIP THICK	100-J,1/16W-1608REEL C20001016M160S
MAIN PCB	R213		nsp	nsp	R,CARBON FILM	22K-J,1/5W-52RE-AX C00002236P520S
MAIN PCB	R214		963129007690M	963129007690M	R,CEMENT RADIAL FORM	RES CE 0.1-J 5W 14*17 PITCH(10MM) C141R10069010S
MAIN PCB	R215		963129007690M	963129007690M	R,CEMENT RADIAL FORM	RES CE 0.1-J 5W 14*17 PITCH(10MM) C141R10069010S
MAIN PCB	R216		nsp	nsp	R,CARBON FILM	620-J,1/5W-52RE-AX C00006216P520S
MAIN PCB	R217		nsp	nsp	R,CARBON FILM	270-J,1/5W-52RE-AX C00002716P520S
MAIN PCB	R218		nsp	nsp	R,CARBON FILM	560K-J,1/5W-52RE-AX C00005646P520S
MAIN PCB	R219		00D9630310404	00D9630310404	R,METAL FILM 100PPM	2.2K-J,1W-R.REEL C060022265050S
MAIN PCB	R220		00D9630310404	00D9630310404	R,METAL FILM 100PPM	2.2K-J,1W-R.REEL C060022265050S
MAIN PCB	R221		00D9630310404	00D9630310404	R,METAL FILM 100PPM	2.2K-J,1W-R.REEL C060022265050S
MAIN PCB	R222		nsp	nsp	R,CHIP THICK	1K-J,1/16W-1608REEL C20001026M160S
MAIN PCB	R223		nsp	nsp	R,CARBON FILM	51K-J,1/5W-52RE-AX C00005136P520S
MAIN PCB	R224		nsp	nsp	R,CHIP THICK	51K-J,1/16W-1608REEL C20005136M160S
MAIN PCB	R225		nsp	nsp	R,CHIP THICK	7.5K-J,1/16W-1608REEL C00007526M160S
MAIN PCB	R226		nsp	nsp	R,CARBON FILM	7.5K-J,1/5W-52RE-AX C00007526P520S
MAIN PCB	R227		nsp	nsp	R,CHIP THICK	1K-J,1/16W-1608REEL C20001026M160S
MAIN PCB	R228		nsp	nsp	R,CHIP THICK	100-J,1/16W-1608REEL C20001016M160S
MAIN PCB	R229		nsp	nsp	R,CHIP THICK	2.2K-J,1/16W-1608REEL C20002226M160S
MAIN PCB	R230		nsp	nsp	R,CHIP THICK	1K-J,1/16W-1608REEL C20001026M160S
MAIN PCB	R231		nsp	nsp	R,CHIP THICK	1K-J,1/16W-1608REEL C20001026M160S
MAIN PCB	R232		nsp	nsp	R,CHIP THICK	33K-J,1/16W-1608REEL C20003336M160S
MAIN PCB	R233		nsp	nsp	R,CHIP THICK	100K-J,1/16W-1608REEL C20001046M160S
MAIN PCB	R234		nsp	nsp	R,CHIP THICK	10K-J,1/16W-1608REEL C20001036M160S
MAIN PCB	R235		nsp	nsp	R,CHIP THICK	100K-J,1/16W-1608REEL C20001046M160S
MAIN PCB	R236		nsp	nsp	R,CHIP THICK	10K-J,1/16W-1608REEL C20001036M160S
MAIN PCB	R237		nsp	nsp	R,CHIP THICK	100K-J,1/16W-1608REEL C20001046M160S
MAIN PCB	R238		963125007710M	963125007710M	R,METAL FILM 100PPM	47K-J,1/4W-R.REEL C060047363050S
MAIN PCB	R239		nsp	nsp	R,CHIP THICK	15K-J,1/16W-1608REEL C20001536M160S
MAIN PCB	R240		nsp	nsp	R,CHIP THICK	47K-J,1/16W-1608REEL C20004736M160S
MAIN PCB	R241		nsp	nsp	R,CHIP THICK	47K-J,1/16W-1608REEL C20004736M160S
MAIN PCB	R242		00D9630215907	00D9630215907	R,METAL FILM 100PPM	4.7-J,1W-R.REEL C0604R7065050S
MAIN PCB	R243		nsp	nsp	R,CARBON FILM	10K-J,1/5W-52RE-AX C00001036P520S
MAIN PCB	R244		nsp	nsp	R,METAL FILM 100PPM	22-J,1/4W-R.REEL C060022063050S
MAIN PCB	R245		nsp	nsp	R,CHIP THICK	3K-J,1/16W-1608REEL C20003026M160S
MAIN PCB	R246		nsp	nsp	R,CHIP THICK	100-J,1/16W-1608REEL C20001016M160S
MAIN PCB	R247		nsp	nsp	R,CHIP THICK	100-J,1/16W-1608REEL C20001016M160S
MAIN PCB	R248		nsp	nsp	R,CHIP THICK	100-J,1/16W-1608REEL C20001016M160S
MAIN PCB	R249		nsp	nsp	R,CHIP THICK	100-J,1/16W-1608REEL C20001016M160S
MAIN PCB	R251		nsp	nsp	R,CHIP THICK	10K-J,1/16W-1608REEL C20001036M160S
MAIN PCB	R252		nsp	nsp	R,CHIP THICK	10K-J,1/16W-1608REEL C20001036M160S
MAIN PCB	R259		nsp	nsp	R,CHIP THICK	47K-J,1/16W-1608REEL C20004736M160S
MAIN PCB	R261		nsp	nsp	R,CHIP THICK	1K-J,1/16W-1608REEL C20001026M160S
MAIN PCB	R262		nsp	nsp	R,CHIP THICK	4.7K-J,1/16W-1608REEL C20004726M160S
MAIN PCB	R263		nsp	nsp	R,CHIP THICK	4.7K-J,1/16W-1608REEL C20004726M160S
MAIN PCB	R264		nsp	nsp	R,CHIP THICK	47K-J,1/16W-1608REEL C20004736M160S
MAIN PCB	R265		nsp	nsp	R,CARBON FILM	1K-J,1/5W-52RE-AX C00001026P520S
MAIN PCB	R266		nsp	nsp	R,CHIP THICK	10K-J,1/16W-1608REEL C20001036M160S
MAIN PCB	R267		nsp	nsp	R,CHIP THICK	220K-J,1/16W-1608REEL C20002246M160S
MAIN PCB	R268		nsp	nsp	R,CHIP THICK	10K-J,1/16W-1608REEL C20001036M160S
MAIN PCB	R269		nsp	nsp	R,CARBON FILM	1K-J,1/5W-52RE-AX C00001026P520S
MAIN PCB	R270		nsp	nsp	R,CHIP THICK	10K-J,1/16W-1608REEL C20001036M160S
MAIN PCB	R271		nsp	nsp	R,CHIP THICK	1K-J,1/16W-1608REEL C20001026M160S
MAIN PCB	R272		nsp	nsp	R,CHIP THICK	100K-J,1/16W-1608REEL C20001046M160S
MAIN PCB	R273		nsp	nsp	R,CHIP THICK	100K-J,1/16W-1608REEL C20001046M160S
MAIN PCB	R274		nsp	nsp	R,CHIP THICK	10K-J,1/16W-1608REEL C20001036M160S
MAIN PCB	R275		nsp	nsp	R,CARBON FILM	10K-J,1/5W-52RE-AX C00001036P520S
MAIN PCB	R276		nsp	nsp	R,CARBON FILM	100-J,1/5W-52RE-AX C00001016P520S
MAIN PCB	R277		nsp	nsp	R,CARBON FILM	100-J,1/5W-52RE-AX C00001016P520S
MAIN PCB	R281	K1SG	nsp	nsp	R,CARBON FILM	100K-J,1/5W-52RE-AX C00001046P520S
MAIN PCB	R281	N1	nsp	nsp	R,CARBON FILM	47K-J,1/5W-52RE-AX C00004736P520S
MAIN PCB	R281	F	nsp	nsp	R,CARBON FILM	47K-J,1/5W-52RE-AX C00004736P520S
MAIN PCB	R282	U1B	nsp	nsp	R,CARBON FILM	47K-J,1/5W-52RE-AX C00004736P520S
MAIN PCB	R282	K1SG	nsp	nsp	R,CARBON FILM	47K-J,1/5W-52RE-AX C00004736P520S
MAIN PCB	R282	F	nsp	nsp	R,CARBON FILM	47K-J,1/5W-52RE-AX C00004736P520S
MAIN PCB	R283		nsp	nsp	R,CARBON FILM	10K-J,1/5W-52RE-AX C00001036P520S
MAIN PCB	R284		nsp	nsp	R,CARBON FILM	3.9K-J,1/5W-52RE-AX C00003926P520S

NOTE : *nsp* PART IS LISTED FOR REFERENCE ONLY, D&M WILL NOT SUPPLY THESE PARTS.

P.C.B. NAME	POS. NO.	VERS. COLOR	PART NO. (FOR EUR)	PART NO. (MZ)	PART NAME	DESCRIPTION
MAIN PCB	R285		nsp	nsp	R,CARBON FILM	10K-J,1/5W-52RE-AX C00001036P520S
MAIN PCB	R286		nsp	nsp	R,CARBON FILM	10K-J,1/5W-52RE-AX C00001036P520S
MAIN PCB	R287		nsp	nsp	R,CHIP THICK	10K-J,1/16W-1608REEL C20001036M160S
MAIN PCB	R288		nsp	nsp	R,CHIP THICK	10K-J,1/16W-1608REEL C20001036M160S
MAIN PCB	R289		nsp	nsp	R,CHIP THICK	10K-J,1/16W-1608REEL C20001036M160S
MAIN PCB	R290		nsp	nsp	R,CHIP THICK	10K-J,1/16W-1608REEL C20001036M160S
MAIN PCB	R291		nsp	nsp	R,CHIP THICK	10K-J,1/16W-1608REEL C20001036M160S
MAIN PCB	R292		nsp	nsp	R,CHIP THICK	10K-J,1/16W-1608REEL C20001036M160S
MAIN PCB	R293		nsp	nsp	R,CHIP THICK	10K-J,1/16W-1608REEL C20001036M160S
MAIN PCB	R294		nsp	nsp	R,CARBON FILM	10K-J,1/5W-52RE-AX C00001036P520S
MAIN PCB	R295		nsp	nsp	R,CARBON FILM	10K-J,1/5W-52RE-AX C00001036P520S
MAIN PCB	R296		nsp	nsp	R,CARBON FILM	10K-J,1/5W-52RE-AX C00001036P520S
MAIN PCB	R297	N1	nsp	nsp	R,CARBON FILM	10K-J,1/5W-52RE-AX C00001036P520S
MAIN PCB	R298		nsp	nsp	R,CARBON FILM	10K-J,1/5W-52RE-AX C00001036P520S
MAIN PCB	R299		nsp	nsp	R,CHIP THICK	10K-J,1/16W-1608REEL C20001036M160S
MAIN PCB	RES201		00D9630387301	00D9630387301	RESONATOR,CERAMIC	ZTTWS16.00MX51EE0F-A0 16MHZ C1,C2=5PF 3PIN REEL E830160000060S
MAIN PCB	RLY101		963682007730M	963682007730M	RELAY	BC3-12 24V 2A (SMALL SIGNAL) G680240202030S
MAIN PCB	RLY102		963682003410S	963682003410S	RELAY	HL3-2A-12S 12V 5A G680120503020S
MAIN PCB	RLY103		963682003410S	963682003410S	RELAY	HL3-2A-12S 12V 5A G680120503020S
MAIN PCB	RLY104		963682003410S	963682003410S	RELAY	HL3-2A-12S 12V 5A G680120503020S
MAIN PCB	RLY105		963682003410S	963682003410S	RELAY	HL3-2A-12S 12V 5A G680120503020S
MAIN PCB	ZD101		00D9630047405	00D9630047405	D,ZENER	MTZJ7.5B-0.5W/5MA-52MM K06007R544520S
MAIN PCB	ZD102		00D9630047405	00D9630047405	D,ZENER	MTZJ7.5B-0.5W/5MA-52MM K06007R544520S
MAIN PCB	ZD201		00D9630219903	00D9630219903	D,ZENER	MTZJ16B-0.5W/5MA-52MM K06016R044520S
MAIN PCB	ZD202		00D9630219903	00D9630219903	D,ZENER	MTZJ16B-0.5W/5MA-52MM K06016R044520S
MAIN PCB	ZD203		00D9630047502	00D9630047502	D,ZENER	MTZJ3.3B-0.5W/5MA-52MM K06003R344520S
MAIN PCB	ZD204		00D9630367008	00D9630367008	D,ZENER CHIP	0.2W 3.3V UDZ S SERIES (UMD2 TYPE) K06603R34P400S
POWER PCB(7020-06830-000-0S)						
POWER PCB	12	N1	nsp	nsp	P.C.B SUB ASSY	NR1501FB(MARANTZ)/POWER-SW 7028068305010
POWER PCB	12	K1SG	nsp	nsp	P.C.B SUB ASSY	NR1501FB(MARANTZ)/POWER-SW 7028068305010
POWER PCB	12	F	nsp	nsp	P.C.B SUB ASSY	NR1501FB(MARANTZ)/POWER-SW 7028068305010
POWER PCB	CN403	N1	nsp	nsp	CN,WIRE	420MM/2P 35191-03=CKM9905-03 RD1617#22 7.92MM L000421020050S
POWER PCB	CN403	K1SG	nsp	nsp	CN,WIRE	420MM/2P 35191-03=CKM9905-03 RD1617#22 7.92MM L000421020050S
POWER PCB	CN403	F	nsp	nsp	CN,WIRE	420MM/2P 35191-03=CKM9905-03 RD1617#22 7.92MM L000421020050S
POWER PCB	▲ PSW401,11	N1	00D9630145802	00D9630145802	SW,PUSH	SDDL-005-S(C-UL) G000122006060S
POWER PCB	▲ PSW401,11	K1SG	nsp	00D9630145802	SW,PUSH	SDDL-005-S(C-UL) G000122006060S
POWER PCB	▲ PSW401,11	F	nsp	00D9630145802	SW,PUSH	SDDL-005-S(C-UL) G000122006060S
STBY PWB(7020-06831-000-0S)						
STBY PCB	47	F	nsp	nsp	P.C.B SUB ASSY	NR1501FB(MARANTZ)/STBY 7028068312010
STBY PCB	47	N1	nsp	nsp	P.C.B SUB ASSY	NR1501N1B(MARANTZ)/STBY 7028068312020
STBY PCB	47	K1SG	nsp	nsp	P.C.B SUB ASSY	NR1501K1SG(MARANTZ)/STBY 7028068312030
STBY PCB	47	U1B	nsp	nsp	P.C.B SUB ASSY	NR1501U1B(MARANTZ)/STBY 7028068312040
STBY PCB	C300		00MOA10605020	00MOA10605020	C,ELECT GE 85C	10UF-M/50V,5*11-5RE.SY D040100087070S
STBY PCB	C301		00D9630312509	00D9630312509	C,ELECT GE 85C	2200UF-M/16V,10*20-L.BLK SY D040222083080S
STBY PCB	C302		00MOA10505020	00MOA10505020	C,ELECT GE 85C	1UF-M/50V,5*11-5RE.SY (Pb Free) D040010087150S
STBY PCB	C303		00MOA10605020	00MOA10605020	C,ELECT GE 85C	10UF-M/50V,5*11-5RE.SY D040100087070S
STBY PCB	▲ C304		00D9630323802	00D9630323802	C,CERAMIC AC(SAFETY)	SCF2E472M10FF7 0.0047UF 250VAC 7.5MM-REEL D00847208H010S
STBY PCB	C305		00D9639004698	00D9639004698	C,CERAMIC CHIP HIK	X7R0.01UF-K/50V-1608REEL D011103777160S
STBY PCB	C306		00D9639004698	00D9639004698	C,CERAMIC CHIP HIK	X7R0.01UF-K/50V-1608REEL D011103777160S
STBY PCB	C307		00D9639004698	00D9639004698	C,CERAMIC CHIP HIK	X7R0.01UF-K/50V-1608REEL D011103777160S
STBY PCB	C308		00D9639004698	00D9639004698	C,CERAMIC CHIP HIK	X7R0.01UF-K/50V-1608REEL D011103777160S
STBY PCB	C315		00MOA10505020	00MOA10505020	C,ELECT GE 85C	1UF-M/50V,5*11-5RE.SY (Pb Free) D040010087150S
STBY PCB	▲ CN301		963606005370S	963606005370S	CN.FPC 1.25MM	TWG-P07P-A1 BLK ST 7P L131007000010S
STBY PCB	▲ CP301		nsp	nsp	CN.WAFER 7.92MM	PLUG JE202B1T2 ST2P 3-B2 L108202000220S
STBY PCB	▲ CP302	N1	nsp	nsp	CN.WAFER 7.92MM	35328-0262, 7.92MM HEADER,VER,2CKT,RED L108353280280S
STBY PCB	▲ CP302	K1SG	nsp	nsp	CN.WAFER 7.92MM	35328-0262, 7.92MM HEADER,VER,2CKT,RED L108353280280S
STBY PCB	▲ CP302	F	nsp	nsp	CN.WAFER 7.92MM	35328-0262, 7.92MM HEADER,VER,2CKT,RED L108353280280S
STBY PCB	▲ CP303		nsp	nsp	CN.WAFER 7.92MM	35328-0263, 7.92MM HEADER,VER,2CKT,YEL L108353280290S
STBY PCB	D301		90M-HZ200220R	90M-HZ200220R	D,SWITCHING CHIP	KDS4148U FAST SWITCHING SOD-323(USC) K005041480030S
STBY PCB	D303		90M-HZ200220R	90M-HZ200220R	D,SWITCHING CHIP	KDS4148U FAST SWITCHING SOD-323(USC) K005041480030S
STBY PCB	D304		90M-HZ200220R	90M-HZ200220R	D,SWITCHING CHIP	KDS4148U FAST SWITCHING SOD-323(USC) K005041480030S
STBY PCB	D305		00D9630328409	00D9630328409	D,SWITCHING	1N4007 52REEL 1000V 1A K000400700010S
STBY PCB	D306		00D9630328409	00D9630328409	D,SWITCHING	1N4007 52REEL 1000V 1A K000400700010S
STBY PCB	D307		00D9630328409	00D9630328409	D,SWITCHING	1N4007 52REEL 1000V 1A K000400700010S
STBY PCB	D308		00D9630328409	00D9630328409	D,SWITCHING	1N4007 52REEL 1000V 1A K000400700010S
STBY PCB	▲ F301	N1	00D9630256607	00D9630256607	FUSE GLASS TUBE 20MM	T2A /250V-SVBRTC(K) 218 N751222001110S
STBY PCB	▲ F301	K1SG	nsp	00D9630256607	FUSE GLASS TUBE 20MM	T2A /250V-SVBRTC(K) 218 N751222001110S
STBY PCB	▲ F301	U1B	nsp	90M-FS001490R	FUSE GLASS TUBE 20MM	T4A /250V-SVBRTC(K) 218 N751224001110S

NOTE : *nsp* PART IS LISTED FOR REFERENCE ONLY, D&M WILL NOT SUPPLY THESE PARTS.

P.C.B. NAME	POS. NO.	VERS. COLOR	PART NO. (FOR EUR)	PART NO. (MZ)	PART NAME	DESCRIPTION	
STBY PCB	▲ F301	F	nsp	90M-FS001490R	FUSE GLASS TUBE 20MM	T4A /250V-SVBRTC(K) 218	N751224001110S
STBY PCB	▲ F301A		nsp	nsp	HOLDER,FUSE CLIP	P15.2-REEL	G645000050010S
STBY PCB	▲ F301B		nsp	nsp	HOLDER,FUSE CLIP	P15.2-REEL	G645000050010S
STBY PCB	GND301			nsp	TERMINAL	MET37-0002/TAPIG EARTH FITTING	3790040886000S
STBY PCB	IC301		963239007200M	963239007200M	IC,LINEAR-REGULATOR	IL1117-3.3 SOT-223 3.3V 1A LOW DROPOUT	J126111700041S
STBY PCB	IC302		963239007790M	963239007790M	IC,LINEAR-REGULATOR	IL1117_5.0 SOT-223 5.0V 1A LOW DROPOUT	J126111750010S
STBY PCB	J301		nsp	nsp	CN,WIRE 1P	JUMPER (0.6/52MM)	L045084006040S
STBY PCB	J302	U1B	nsp	nsp	CN,WIRE 1P	JUMPER (0.6/52MM)	L045084006040S
STBY PCB	J303		nsp	nsp	CN,WIRE 1P	JUMPER (0.6/52MM)	L045084006040S
STBY PCB	J304		nsp	nsp	CN,WIRE 1P	JUMPER (0.6/52MM)	L045084006040S
STBY PCB	J305		nsp	nsp	CN,WIRE 1P	JUMPER (0.6/52MM)	L045084006040S
STBY PCB	J306		nsp	nsp	CN,WIRE 1P	JUMPER (0.6/52MM)	L045084006040S
STBY PCB	▲ PT301	U1B	nsp	00D9630387602	POWER TRANS	STAND-BY 120V/60HZ 28*15	8200280150401S
STBY PCB	▲ PT301	N1	00D9630382801	00D9630382801	POWER TRANS	STAND-BY 230V/50HZ 28*15	8200280150410S
STBY PCB	▲ PT301	K1SG	nsp	00D9630383004	POWER TRANS	STAND-BY 220V/50,60HZ 28*15	8200280150420S
STBY PCB	▲ PT301	F	nsp	00D9630382908	POWER TRANS	STAND-BY 100V/50HZ 28*15	8200280150430S
STBY PCB	Q300		00D9630121509	00D9630121509	SEMI,CHIP TR/NPN 2SC	KTC3875S 0.15W SOT-23 REEL	J522038750210S
STBY PCB	Q301		00D9630121509	00D9630121509	SEMI,CHIP TR/NPN 2SC	KTC3875S 0.15W SOT-23 REEL	J522038750210S
STBY PCB	Q302	U1B	00D2730485906	00D2730485906	SEMI,CHIP TR/NPN 2SC	KRC107S (NH)/SOT-23 REEL	J522107S00210S
STBY PCB	Q302	F	nsp	00D2730485906	SEMI,CHIP TR/NPN 2SC	KRC107S (NH)/SOT-23 REEL	J522107S00210S
STBY PCB	R300		nsp	nsp	R,CHIP THICK	10K-J,1/16W-1608REEL	C20001036M160S
STBY PCB	R301		nsp	nsp	R,CHIP THICK	20K-J,1/16W-1608REEL	C20002036M160S
STBY PCB	R302		nsp	nsp	R,CHIP THICK	3.3K-J,1/16W-1608REEL	C20003326M160S
STBY PCB	R303		nsp	nsp	R,CARBON FILM	2.2K-J,1/5W-52RE-AX	C00002226P520S
STBY PCB	R304		00D9609004301	00D9609004301	R,METAL FILM 100PPM	47-J,1/4W-R.REEL	C060047063050S
STBY PCB	R305		nsp	nsp	R,CHIP THICK	47K-J,1/16W-1608REEL	C20004736M160S
STBY PCB	▲ RLY301		963682000640S	963682000640S	RELAY	HL3-1A-6SH DC6V 1A (POWER)	G680060102020S
STBY PCB	ZD301		00D9630382500	00D9630382500	D,ZENER CHIP	0.2W 5.1V UDZ S SERIES (UMD2 TYPE)	K06605R14P400S
STBY PCB	ZD302	U1B	nsp	963202007830M	D,ZENER CHIP	0.2W 12V UDZ S SERIES (UMD2 TYPE)	K06612R04P400S
STBY PCB	ZD302	F	nsp	963202007830M	D,ZENER CHIP	0.2W 12V UDZ S SERIES (UMD2 TYPE)	K06612R04P400S
					VIDEO PWB(7020-06831-000-0S)		
VIDEO PCB	62	U1B	nsp	nsp	P.C.B SUB ASSY	NR1501FB(MARANTZ)/VIDEO	7028068311010
VIDEO PCB	62	F	nsp	nsp	P.C.B SUB ASSY	NR1501FB(MARANTZ)/VIDEO	7028068311010
VIDEO PCB	*	N1	nsp	nsp	P.C.B SUB ASSY	NR1501N1B(MARANTZ)/VIDEO	7028068311020
VIDEO PCB	*	K1SG	nsp	nsp	P.C.B SUB ASSY	NR1501N1B(MARANTZ)/VIDEO	7028068311020
VIDEO PCB	*	F	nsp	nsp	P.C.B TOTAL ASSY	NR1501FB(MARANTZ)/VIDEO	7025HK0819014
VIDEO PCB	*	N1	nsp	nsp	P.C.B TOTAL ASSY	NR1501N1B(MARANTZ)/VIDEO	7025HK0819024
VIDEO PCB	*	K1SG	nsp	nsp	P.C.B TOTAL ASSY	NR1501K1SG(MARANTZ)/VIDEO	7025HK0819044
VIDEO PCB	*	U1B	nsp	nsp	P.C.B TOTAL ASSY	NR1501U1B(MARANTZ)/VIDEO	7025HK0819054
VIDEO PCB	C401		00D9639004698	00D9639004698	C,CERAMIC CHIP HIK	X7R0.01UF-K/50V-1608REEL	D011103777160S
VIDEO PCB	C402		00MOA10605020	00MOA10605020	C,ELECT GE 85C	10UF-M/50V,5*11-5RE.SY	D040100087070S
VIDEO PCB	C403		00D9639004698	00D9639004698	C,CERAMIC CHIP HIK	X7R0.01UF-K/50V-1608REEL	D011103777160S
VIDEO PCB	C404		00MOA10605020	00MOA10605020	C,ELECT GE 85C	10UF-M/50V,5*11-5RE.SY	D040100087070S
VIDEO PCB	C405		00D9639004698	00D9639004698	C,CERAMIC CHIP HIK	X7R0.01UF-K/50V-1608REEL	D011103777160S
VIDEO PCB	C406		00D9639004698	00D9639004698	C,CERAMIC CHIP HIK	X7R0.01UF-K/50V-1608REEL	D011103777160S
VIDEO PCB	C407		00MOA10605020	00MOA10605020	C,ELECT GE 85C	10UF-M/50V,5*11-5RE.SY	D040100087070S
VIDEO PCB	C409		00MOA10605020	00MOA10605020	C,ELECT GE 85C	10UF-M/50V,5*11-5RE.SY	D040100087070S
VIDEO PCB	C410		00D9639004698	00D9639004698	C,CERAMIC CHIP HIK	X7R0.01UF-K/50V-1608REEL	D011103777160S
VIDEO PCB	C411		00D9639004698	00D9639004698	C,CERAMIC CHIP HIK	X7R0.01UF-K/50V-1608REEL	D011103777160S
VIDEO PCB	C412		00MOA10605020	00MOA10605020	C,ELECT GE 85C	10UF-M/50V,5*11-5RE.SY	D040100087070S
VIDEO PCB	C413		00MOA10605020	00MOA10605020	C,ELECT GE 85C	10UF-M/50V,5*11-5RE.SY	D040100087070S
VIDEO PCB	C414		00D9639004698	00D9639004698	C,CERAMIC CHIP HIK	X7R0.01UF-K/50V-1608REEL	D011103777160S
VIDEO PCB	C415		00D9639004698	00D9639004698	C,CERAMIC CHIP HIK	X7R0.01UF-K/50V-1608REEL	D011103777160S
VIDEO PCB	C416		00MOA10605020	00MOA10605020	C,ELECT GE 85C	10UF-M/50V,5*11-5RE.SY	D040100087070S
VIDEO PCB	C419		00MOA10605020	00MOA10605020	C,ELECT GE 85C	10UF-M/50V,5*11-5RE.SY	D040100087070S
VIDEO PCB	C420		00D9639006528	00D9639006528	C,CERAMIC CHIP T.C	COG20PF-J/50V-1608REEL	D010200167160S
VIDEO PCB	C421		00D9630234001	00D9630234001	C,CERAMIC CHIP HIK	Y5V0.047UF-Z/50V-1608REEL	D011473597160S
VIDEO PCB	C422		00MOA10701620	00MOA10701620	C,ELECT GE 85C	100UF-M/16V,6.3*11-5RE,SMS SY	D040101083070S
VIDEO PCB	C423		00D9639004698	00D9639004698	C,CERAMIC CHIP HIK	X7R0.01UF-K/50V-1608REEL	D011103777160S
VIDEO PCB	C424		00MOA10505020	00MOA10505020	C,ELECT GE 85C	1UF-M/50V,5*11-5RE.SY (Pb Free)	D040010087150S
VIDEO PCB	C425		00D9639006528	00D9639006528	C,CERAMIC CHIP T.C	COG20PF-J/50V-1608REEL	D010200167160S
VIDEO PCB	C426		00MDD95240300	00MDD95240300	C,CERAMIC CHIP T.C	COG24PF-J/50V-1608REEL	D010240167160S
VIDEO PCB	C427		00D9630234001	00D9630234001	C,CERAMIC CHIP HIK	Y5V0.047UF-Z/50V-1608REEL	D011473597160S
VIDEO PCB	C428		00MDD95240300	00MDD95240300	C,CERAMIC CHIP T.C	COG24PF-J/50V-1608REEL	D010240167160S
VIDEO PCB	C429		00D9639004698	00D9639004698	C,CERAMIC CHIP HIK	X7R0.01UF-K/50V-1608REEL	D011103777160S
VIDEO PCB	C430		00MOA10505020	00MOA10505020	C,ELECT GE 85C	1UF-M/50V,5*11-5RE.SY (Pb Free)	D040010087150S
VIDEO PCB	C431		00D9639004698	00D9639004698	C,CERAMIC CHIP HIK	X7R0.01UF-K/50V-1608REEL	D011103777160S
VIDEO PCB	C432		00D9630234001	00D9630234001	C,CERAMIC CHIP HIK	Y5V0.047UF-Z/50V-1608REEL	D011473597160S
VIDEO PCB	C433		00MDK96221300	00MDK96221300	C,CERAMIC CHIP T.C	COG220PF-J/50V-1608REEL	D010221167160S
VIDEO PCB	C434		00D9639004698	00D9639004698	C,CERAMIC CHIP HIK	X7R0.01UF-K/50V-1608REEL	D011103777160S
VIDEO PCB	C435		00D9630223601	00D9630223601	C,CERAMIC CHIP T.C	COG100PF-J/50V-1608REEL	D010101167160S

NOTE : *nsp* PART IS LISTED FOR REFERENCE ONLY, D&M WILL NOT SUPPLY THESE PARTS.

P.C.B. NAME	POS. NO.	VERS. COLOR	PART NO. (FOR EUR)	PART NO. (MZ)	PART NAME	DESCRIPTION	
VIDEO PCB	C436		00MOA10505020	00MOA10505020	C,ELECT GE 85C	1UF-M/50V,5*11-5RE.SY (Pb Free)	D040010087150S
VIDEO PCB	C437		00D9639004591	00D9639004591	C,CERAMIC CHIP T.C	COG22PF-J/50V-1608REEL	D010220167160S
VIDEO PCB	C438		00D9639004591	00D9639004591	C,CERAMIC CHIP T.C	COG22PF-J/50V-1608REEL	D010220167160S
VIDEO PCB	C439		00D9639004591	00D9639004591	C,CERAMIC CHIP T.C	COG22PF-J/50V-1608REEL	D010220167160S
VIDEO PCB	C440		00MOA10505020	00MOA10505020	C,ELECT GE 85C	1UF-M/50V,5*11-5RE.SY (Pb Free)	D040010087150S
VIDEO PCB	C441		00MOA22701620	00MOA22701620	C,ELECT GE 85C	220UF-M/16V,6.3*11-5RE.SHL-SY	D040221083110S
VIDEO PCB	C442		00MOA10505020	00MOA10505020	C,ELECT GE 85C	1UF-M/50V,5*11-5RE.SY (Pb Free)	D040010087150S
VIDEO PCB	C443		00MOA10505020	00MOA10505020	C,ELECT GE 85C	1UF-M/50V,5*11-5RE.SY (Pb Free)	D040010087150S
VIDEO PCB	C444		00MOA10505020	00MOA10505020	C,ELECT GE 85C	1UF-M/50V,5*11-5RE.SY (Pb Free)	D040010087150S
VIDEO PCB	C445		00MOA10505020	00MOA10505020	C,ELECT GE 85C	1UF-M/50V,5*11-5RE.SY (Pb Free)	D040010087150S
VIDEO PCB	C446		00MOA10505020	00MOA10505020	C,ELECT GE 85C	1UF-M/50V,5*11-5RE.SY (Pb Free)	D040010087150S
VIDEO PCB	C447		00MOA10505020	00MOA10505020	C,ELECT GE 85C	1UF-M/50V,5*11-5RE.SY (Pb Free)	D040010087150S
VIDEO PCB	C448		00MOA10505020	00MOA10505020	C,ELECT GE 85C	1UF-M/50V,5*11-5RE.SY (Pb Free)	D040010087150S
VIDEO PCB	C449		00MOA10505020	00MOA10505020	C,ELECT GE 85C	1UF-M/50V,5*11-5RE.SY (Pb Free)	D040010087150S
VIDEO PCB	C450		00MOA10505020	00MOA10505020	C,ELECT GE 85C	1UF-M/50V,5*11-5RE.SY (Pb Free)	D040010087150S
VIDEO PCB	C451		00MOA10505020	00MOA10505020	C,ELECT GE 85C	1UF-M/50V,5*11-5RE.SY (Pb Free)	D040010087150S
VIDEO PCB	C452		00D9639004711	00D9639004711	C,CERAMIC CHIP HIK	Y5V0.1UF-Z/50V-1608REEL	D011104597160S
VIDEO PCB	C453		00MOA10701620	00MOA10701620	C,ELECT GE 85C	100UF-M/16V,6.3*11-5RE.SMS SY	D040101083070S
VIDEO PCB	C454		00MOA10605020	00MOA10605020	C,ELECT GE 85C	10UF-M/50V,5*11-5RE.SY	D040100087070S
VIDEO PCB	C455		00D9639004698	00D9639004698	C,CERAMIC CHIP HIK	X7R0.01UF-K/50V-1608REEL	D011103777160S
VIDEO PCB	C456		00MOA10605020	00MOA10605020	C,ELECT GE 85C	10UF-M/50V,5*11-5RE.SY	D040100087070S
VIDEO PCB	C457		00D9639004698	00D9639004698	C,CERAMIC CHIP HIK	X7R0.01UF-K/50V-1608REEL	D011103777160S
VIDEO PCB	C458		00D9639004698	00D9639004698	C,CERAMIC CHIP HIK	X7R0.01UF-K/50V-1608REEL	D011103777160S
VIDEO PCB	C459		00MOA10605020	00MOA10605020	C,ELECT GE 85C	10UF-M/50V,5*11-5RE.SY	D040100087070S
VIDEO PCB	C460		00MOA10605020	00MOA10605020	C,ELECT GE 85C	10UF-M/50V,5*11-5RE.SY	D040100087070S
VIDEO PCB	C461		00MOA10605020	00MOA10605020	C,ELECT GE 85C	10UF-M/50V,5*11-5RE.SY	D040100087070S
VIDEO PCB	C462		00D9639004698	00D9639004698	C,CERAMIC CHIP HIK	X7R0.01UF-K/50V-1608REEL	D011103777160S
VIDEO PCB	C463		00D9639004698	00D9639004698	C,CERAMIC CHIP HIK	X7R0.01UF-K/50V-1608REEL	D011103777160S
VIDEO PCB	C464		00MOA10505020	00MOA10505020	C,ELECT GE 85C	1UF-M/50V,5*11-5RE.SY (Pb Free)	D040010087150S
VIDEO PCB	C465		nsp	nsp	R,CHIP THICK	0-J,1/16W-1608REEL	C2000006M160S
VIDEO PCB	C466		00D9639004698	00D9639004698	C,CERAMIC CHIP HIK	X7R0.01UF-K/50V-1608REEL	D011103777160S
VIDEO PCB	C467		00MOA22701020	00MOA22701020	C,ELECT GE 85C	220UF-M/10V,6.3*11-5RE.SMS-SY (Pb Free)	D040221082090S
VIDEO PCB	C468		00D9639004698	00D9639004698	C,CERAMIC CHIP HIK	X7R0.01UF-K/50V-1608REEL	D011103777160S
VIDEO PCB	C469		00MOA22701020	00MOA22701020	C,ELECT GE 85C	220UF-M/10V,6.3*11-5RE.SMS-SY (Pb Free)	D040221082090S
VIDEO PCB	C470		00D9639004698	00D9639004698	C,CERAMIC CHIP HIK	X7R0.01UF-K/50V-1608REEL	D011103777160S
VIDEO PCB	C471		00MOA22701020	00MOA22701020	C,ELECT GE 85C	220UF-M/10V,6.3*11-5RE.SMS-SY (Pb Free)	D040221082090S
VIDEO PCB	C472		00MOA47601640	00MOA47601640	C,ELECT GE 85C	47UF-M/16V,5*11-5RE.SMS SY	D040470083080S
VIDEO PCB	C473		00MOA47601640	00MOA47601640	C,ELECT GE 85C	47UF-M/16V,5*11-5RE.SMS SY	D040470083080S
VIDEO PCB	C474		00D9639004698	00D9639004698	C,CERAMIC CHIP HIK	X7R0.01UF-K/50V-1608REEL	D011103777160S
VIDEO PCB	C475		00D9639004698	00D9639004698	C,CERAMIC CHIP HIK	X7R0.01UF-K/50V-1608REEL	D011103777160S
VIDEO PCB	C476		00D9639004698	00D9639004698	C,CERAMIC CHIP HIK	X7R0.01UF-K/50V-1608REEL	D011103777160S
VIDEO PCB	C477		00D9639004698	00D9639004698	C,CERAMIC CHIP HIK	X7R0.01UF-K/50V-1608REEL	D011103777160S
VIDEO PCB	C478		00D9639004698	00D9639004698	C,CERAMIC CHIP HIK	X7R0.01UF-K/50V-1608REEL	D011103777160S
VIDEO PCB	C479		00D9639004698	00D9639004698	C,CERAMIC CHIP HIK	X7R0.01UF-K/50V-1608REEL	D011103777160S
VIDEO PCB	C480		00D9639004698	00D9639004698	C,CERAMIC CHIP HIK	X7R0.01UF-K/50V-1608REEL	D011103777160S
VIDEO PCB	C481		00D9639004698	00D9639004698	C,CERAMIC CHIP HIK	X7R0.01UF-K/50V-1608REEL	D011103777160S
VIDEO PCB	C482		00D9639004698	00D9639004698	C,CERAMIC CHIP HIK	X7R0.01UF-K/50V-1608REEL	D011103777160S
VIDEO PCB	C483		00D9639004698	00D9639004698	C,CERAMIC CHIP HIK	X7R0.01UF-K/50V-1608REEL	D011103777160S
VIDEO PCB	C484		00D9639004698	00D9639004698	C,CERAMIC CHIP HIK	X7R0.01UF-K/50V-1608REEL	D011103777160S
VIDEO PCB	C485		00D9639004698	00D9639004698	C,CERAMIC CHIP HIK	X7R0.01UF-K/50V-1608REEL	D011103777160S
VIDEO PCB	C486		00MDK96221300	00MDK96221300	C,CERAMIC CHIP T.C	COG220PF-J/50V-1608REEL	D01022167160S
VIDEO PCB	CN401		00D9630086505	00D9630086505	CN.WAFER 2.0MM	TUC-P07X-B1 BD-TO-BD 7P HOUSING ST (35237-07)	L101100030710S
VIDEO PCB	CN402		00D9630236902	00D9630236902	CN.WAFER 2.0MM	TUC-P12X-B1 BD-TO-BD 12P HOUSING ST (35237-12)	L101100031210S
VIDEO PCB	D403		90M-HZ200220R	90M-HZ200220R	D,SWITCHING CHIP	KDS4148U FAST SWITCHING SOD-323(USC)	K005041480030S
VIDEO PCB	D404		90M-HZ200220R	90M-HZ200220R	D,SWITCHING CHIP	KDS4148U FAST SWITCHING SOD-323(USC)	K005041480030S
VIDEO PCB	D405		90M-HZ200220R	90M-HZ200220R	D,SWITCHING CHIP	KDS4148U FAST SWITCHING SOD-323(USC)	K005041480030S
VIDEO PCB	D406		90M-HZ200220R	90M-HZ200220R	D,SWITCHING CHIP	KDS4148U FAST SWITCHING SOD-323(USC)	K005041480030S
VIDEO PCB	IC401		232810005504S	232810005504S	IC,LINEAR-DRIVER	BD7628F-E2 2CH VIDEO AMP SOP8P	J127762800010S
VIDEO PCB	IC402		00D2622871000	00D2622871000	IC,LOGIC	MM74HC4052-TSSOP 16P	J040744052040S
VIDEO PCB	IC403		232810005504S	232810005504S	IC,LINEAR-DRIVER	BD7628F-E2 2CH VIDEO AMP SOP8P	J127762800010S
VIDEO PCB	IC404		00D2623551002	00D2623551002	IC,MONITOR SW	NJW1321FP1 4IN 2OUT 6dB VIDEO SWITCH I2C BUS QFP48	J171132100010S
VIDEO PCB	IC405		00D9630116307	00D9630116307	IC,MONITOR	LC74781-9013-E OSD CONTROLLER LSI DIP24P	J170747810010S
VIDEO PCB	IC406		00D2631099006	00D2631099006	IC,LINEAR-REGULATOR	KIA7905PI,20W-TO220IS MOLD	J126790500070S
VIDEO PCB	IC407,70		00D9600159501	00D9600159501	IC,LINEAR-REGULATOR	KIA7805API,20W-TO220IS MOLD	J126780500110S
VIDEO PCB	IC408		963239007890M	963239007890M	IC,LOGIC	SN74HCT244PWR TSSOP 20P/OCTAL BUFFER/DRIVER 3STATE	J040742440220S
VIDEO PCB	IC409		00D9630327604	00D9630327604	IC,LINEAR-DRIVER	NJM2581M 3CH 6dB VIDEO AMPLIFIER DUAL SUPPLY SOP14	J127258100010S
VIDEO PCB	IC410		90M-HC400070R	90M-HC400070R	IC,LOGIC	BU4053BCFV-E2 ANALOG MULTIPLEXER/ DEMULTI SSOP16	J040405300160S
VIDEO PCB	J401	U1B	nsp	nsp	R,CHIP THICK	0-J,1/16W-1608REEL	C2000006M160S
VIDEO PCB	J401	F	nsp	nsp	R,CHIP THICK	0-J,1/16W-1608REEL	C2000006M160S
VIDEO PCB	J405		nsp	nsp	CN,WIRE 1P	JUMPER (0.6/52MM)	L045084006040S
VIDEO PCB	J406		nsp	nsp	CN,WIRE 1P	JUMPER (0.6/52MM)	L045084006040S

NOTE : "nsp" PART IS LISTED FOR REFERENCE ONLY, D&M WILL NOT SUPPLY THESE PARTS.

P.C.B. NAME	POS. NO.	VERS. COLOR	PART NO. (FOR EUR)	PART NO. (MZ)	PART NAME	DESCRIPTION	
VIDEO PCB	J407		nsp	nsp	CN,WIRE 1P	JUMPER (0.6/52MM)	L045084006040S
VIDEO PCB	J409		nsp	nsp	CN,WIRE 1P	JUMPER (0.6/52MM)	L045084006040S
VIDEO PCB	J410		nsp	nsp	CN,WIRE 1P	JUMPER (0.6/52MM)	L045084006040S
VIDEO PCB	J411		nsp	nsp	CN,WIRE 1P	JUMPER (0.6/52MM)	L045084006040S
VIDEO PCB	J412		nsp	nsp	CN,WIRE 1P	JUMPER (0.6/52MM)	L045084006040S
VIDEO PCB	J413		nsp	nsp	CN,WIRE 1P	JUMPER (0.6/52MM)	L045084006040S
VIDEO PCB	J414		nsp	nsp	CN,WIRE 1P	JUMPER (0.6/52MM)	L045084006040S
VIDEO PCB	J415		nsp	nsp	CN,WIRE 1P	JUMPER (0.6/52MM)	L045084006040S
VIDEO PCB	J416		nsp	nsp	CN,WIRE 1P	JUMPER (0.6/52MM)	L045084006040S
VIDEO PCB	J417		nsp	nsp	CN,WIRE 1P	JUMPER (0.6/52MM)	L045084006040S
VIDEO PCB	J418		nsp	nsp	CN,WIRE 1P	JUMPER (0.6/52MM)	L045084006040S
VIDEO PCB	J419		nsp	nsp	CN,WIRE 1P	JUMPER (0.6/52MM)	L045084006040S
VIDEO PCB	J421		nsp	nsp	CN,WIRE 1P	JUMPER (0.6/52MM)	L045084006040S
VIDEO PCB	J423		nsp	nsp	CN,WIRE 1P	JUMPER (0.6/52MM)	L045084006040S
VIDEO PCB	J424		nsp	nsp	CN,WIRE 1P	JUMPER (0.6/52MM)	L045084006040S
VIDEO PCB	J425		nsp	nsp	CN,WIRE 1P	JUMPER (0.6/52MM)	L045084006040S
VIDEO PCB	J426		nsp	nsp	CN,WIRE 1P	JUMPER (0.6/52MM)	L045084006040S
VIDEO PCB	J427		nsp	nsp	CN,WIRE 1P	JUMPER (0.6/52MM)	L045084006040S
VIDEO PCB	J429		nsp	nsp	CN,WIRE 1P	JUMPER (0.6/52MM)	L045084006040S
VIDEO PCB	J432		nsp	nsp	CN,WIRE 1P	JUMPER (0.6/52MM)	L045084006040S
VIDEO PCB	J433		nsp	nsp	CN,WIRE 1P	JUMPER (0.6/52MM)	L045084006040S
VIDEO PCB	J434		nsp	nsp	CN,WIRE 1P	JUMPER (0.6/52MM)	L045084006040S
VIDEO PCB	J435		nsp	nsp	CN,WIRE 1P	JUMPER (0.6/52MM)	L045084006040S
VIDEO PCB	J436		nsp	nsp	CN,WIRE 1P	JUMPER (0.6/52MM)	L045084006040S
VIDEO PCB	J437		nsp	nsp	CN,WIRE 1P	JUMPER (0.6/52MM)	L045084006040S
VIDEO PCB	J438		nsp	nsp	CN,WIRE 1P	JUMPER (0.6/52MM)	L045084006040S
VIDEO PCB	J439		nsp	nsp	CN,WIRE 1P	JUMPER (0.6/52MM)	L045084006040S
VIDEO PCB	J440		nsp	nsp	CN,WIRE 1P	JUMPER (0.6/52MM)	L045084006040S
VIDEO PCB	J441		nsp	nsp	CN,WIRE 1P	JUMPER (0.6/52MM)	L045084006040S
VIDEO PCB	JACK401,61,63,64		963646007910M	963646007910M	TER,RCA 5PIN	RCA-603(1)B-46(ALL YELLOW)	G6056031B460YS
VIDEO PCB	JACK402,60		00D9630146306	00D9630146306	TER,RCA 6PIN	RCA-603B-26(GN,BL,RD,GN,BL,RD)	G603603B2600YS
VIDEO PCB	JACK403,60		00D9630146306	00D9630146306	TER,RCA 6PIN	RCA-603B-26(GN,BL,RD,GN,BL,RD)	G603603B2600YS
VIDEO PCB	L401		00D9630115609	00D9630115609	COIL,FILTER-INDUCTOR	33UH-Q40/14M-R4.7-52RE	D330330700520S
VIDEO PCB	Q404	N1	90M-BA001230R	90M-BA001230R	SEMI,CHIP TR/PNP 2SA	KRA102S(PB) 0.2W/SOT-23 REEL	J520010200210S
VIDEO PCB	Q404	K1SG	nsp	90M-BA001230R	SEMI,CHIP TR/PNP 2SA	KRA102S(PB) 0.2W/SOT-23 REEL	J520010200210S
VIDEO PCB	Q405	N1	00D9600196603	00D9600196603	SEMI,TR/GE NPN 2SC	KTC2874B TO92-REEL	J502287400010S
VIDEO PCB	Q405	K1SG	nsp	00D9600196603	SEMI,TR/GE NPN 2SC	KTC2874B TO92-REEL	J502287400010S
VIDEO PCB	Q406	N1	00D9630159102	00D9630159102	SEMI,CHIP TR/NPN 2SC	KRC111S (NM) 0.2W/SOT-23 REEL	J522011100210S
VIDEO PCB	Q406	K1SG	nsp	00D9630159102	SEMI,CHIP TR/NPN 2SC	KRC111S (NM) 0.2W/SOT-23 REEL	J522011100210S
VIDEO PCB	Q407		90M-BA001560R	90M-BA001560R	SEMI,CHIP TR/NPN 2SC	KRC102S (NB) 0.2W/SOT-23 REEL	J522010200210S
VIDEO PCB	Q408		00D9630148508	00D9630148508	SEMI,CHIP TR/PNP 2SA	KTA1504S 0.15W SOT-23 REEL	J520015040150S
VIDEO PCB	Q409		00D2730485906	00D2730485906	SEMI,CHIP TR/NPN 2SC	KRC107S (NH)/SOT-23 REEL	J522107S00210S
VIDEO PCB	Q410		00D9630102803	00D9630102803	SEMI,TR/GE PNP 2SA	2SA933S,0.3W/TO92M-REEL	J5000933S0050S
VIDEO PCB	R401		nsp	nsp	R,CHIP THICK	100-J,1/16W-1608REEL	C20001016M160S
VIDEO PCB	R402		nsp	nsp	R,CHIP THICK	47K-J,1/16W-1608REEL	C20004736M160S
VIDEO PCB	R403		nsp	nsp	R,CHIP THICK	2K-J,1/16W-1608REEL	C20002026M160S
VIDEO PCB	R404		nsp	nsp	R,CHIP THICK	2K-J,1/16W-1608REEL	C20002026M160S
VIDEO PCB	R405		nsp	nsp	R,CHIP THICK	100-J,1/16W-1608REEL	C20001016M160S
VIDEO PCB	R406		nsp	nsp	R,CHIP THICK	150-J,1/16W-1608REEL	C20001516M160S
VIDEO PCB	R407		nsp	nsp	R,CHIP THICK	47K-J,1/16W-1608REEL	C20004736M160S
VIDEO PCB	R408		nsp	nsp	R,CHIP THICK	150-J,1/16W-1608REEL	C20001516M160S
VIDEO PCB	R409		nsp	nsp	R,CHIP THICK	2K-J,1/16W-1608REEL	C20002026M160S
VIDEO PCB	R410		nsp	nsp	R,CHIP THICK	2K-J,1/16W-1608REEL	C20002026M160S
VIDEO PCB	R411		nsp	nsp	R,CHIP THICK	10K-J,1/16W-1608REEL	C20001036M160S
VIDEO PCB	R412		nsp	nsp	R,CHIP THICK	2K-J,1/16W-1608REEL	C20002026M160S
VIDEO PCB	R413		nsp	nsp	R,CHIP THICK	2K-J,1/16W-1608REEL	C20002026M160S
VIDEO PCB	R414		nsp	nsp	R,CHIP THICK	150-J,1/16W-1608REEL	C20001516M160S
VIDEO PCB	R415		nsp	nsp	R,CHIP THICK	47K-J,1/16W-1608REEL	C20004736M160S
VIDEO PCB	R416		nsp	nsp	R,CARBON FILM	100-J,1/5W-52RE-AX	C00001016P520S
VIDEO PCB	R418		nsp	nsp	R,CHIP THICK	75-J,1/16W-1608REEL	C20007506M160S
VIDEO PCB	R419		nsp	nsp	R,CHIP THICK	150-J,1/16W-1608REEL	C20001516M160S
VIDEO PCB	R420		nsp	nsp	R,CHIP THICK	10K-J,1/16W-1608REEL	C20001036M160S
VIDEO PCB	R425		nsp	nsp	R,CHIP THICK	75-J,1/16W-1608REEL	C20007506M160S
VIDEO PCB	R429		nsp	nsp	R,CHIP THICK	75-J,1/16W-1608REEL	C20007506M160S
VIDEO PCB	R431		nsp	nsp	R,CHIP THICK	75-J,1/16W-1608REEL	C20007506M160S
VIDEO PCB	R433		nsp	nsp	R,CHIP THICK	75-J,1/16W-1608REEL	C20007506M160S
VIDEO PCB	R434		nsp	nsp	R,CHIP THICK	75-J,1/16W-1608REEL	C20007506M160S
VIDEO PCB	R435		nsp	nsp	R,CHIP THICK	0-J,1/16W-1608REEL	C20000006M160S
VIDEO PCB	R436		nsp	nsp	R,CHIP THICK	1.2K-J,1/16W-1608REEL	C20001226M160S
VIDEO PCB	R437	N1	nsp	nsp	R,CHIP THICK	10K-J,1/16W-1608REEL	C20001036M160S
VIDEO PCB	R437	K1SG	nsp	nsp	R,CHIP THICK	10K-J,1/16W-1608REEL	C20001036M160S
VIDEO PCB	R438		nsp	nsp	R,CHIP THICK	510-J,1/16W-1608REEL	C20005116M160S
VIDEO PCB	R439		nsp	nsp	R,CHIP THICK	510-J,1/16W-1608REEL	C20005116M160S
VIDEO PCB	R440		nsp	nsp	R,CHIP THICK	0-J,1/16W-1608REEL	C20000006M160S
VIDEO PCB	R441		nsp	nsp	R,CHIP THICK	1M-J,1/16W-1608REEL	C20001056M160S

NOTE : *nsp* PART IS LISTED FOR REFERENCE ONLY, D&M WILL NOT SUPPLY THESE PARTS.

P.C.B. NAME	POS. NO.	VERS. COLOR	PART NO. (FOR EUR)	PART NO. (MZ)	PART NAME	DESCRIPTION	
VIDEO PCB	R442		nsp	nsp	R,CHIP THICK	4.7K-J,1/16W-1608REEL	C20004726M160S
VIDEO PCB	R443		nsp	nsp	R,CARBON FILM	1K-J,1/5W-52RE-AX	C00001026P520S
VIDEO PCB	R444		nsp	nsp	R,CHIP THICK	4.7K-J,1/16W-1608REEL	C20004726M160S
VIDEO PCB	R445		nsp	nsp	R,CHIP THICK	1K-J,1/16W-1608REEL	C20001026M160S
VIDEO PCB	R446		nsp	nsp	R,CARBON FILM	75-J,1/5W-52RE-AX	C00007506P520S
VIDEO PCB	R447		nsp	nsp	R,CHIP THICK	75-J,1/16W-1608REEL	C20007506M160S
VIDEO PCB	R448		nsp	nsp	R,CHIP THICK	150-J,1/16W-1608REEL	C20001516M160S
VIDEO PCB	R449		nsp	nsp	R,CARBON FILM	470-J,1/5W-52RE-AX	C00004716P520S
VIDEO PCB	R450		nsp	nsp	R,CHIP THICK	150-J,1/16W-1608REEL	C20001516M160S
VIDEO PCB	R451		nsp	nsp	R,CHIP THICK	47K-J,1/16W-1608REEL	C20004736M160S
VIDEO PCB	R452		nsp	nsp	R,CARBON FILM	470-J,1/5W-52RE-AX	C00004716P520S
VIDEO PCB	R453		nsp	nsp	R,CHIP THICK	150-J,1/16W-1608REEL	C20001516M160S
VIDEO PCB	R454		nsp	nsp	R,CARBON FILM	470-J,1/5W-52RE-AX	C00004716P520S
VIDEO PCB	R455		nsp	nsp	R,CHIP THICK	8.2K-J,1/16W-1608REEL	C20008226M160S
VIDEO PCB	R456		nsp	nsp	R,CHIP THICK	10K-J,1/16W-1608REEL	C20001036M160S
VIDEO PCB	R457		nsp	nsp	R,CHIP THICK	10K-J,1/16W-1608REEL	C20001036M160S
VIDEO PCB	R458		nsp	nsp	R,CHIP THICK	10K-J,1/16W-1608REEL	C20001036M160S
VIDEO PCB	R459		nsp	nsp	R,CHIP THICK	10K-J,1/16W-1608REEL	C20001036M160S
VIDEO PCB	R460		nsp	nsp	R,CHIP THICK	200-J,1/16W-1608REEL	C20002016M160S
VIDEO PCB	R461		nsp	nsp	R,CHIP THICK	75-J,1/16W-1608REEL	C20007506M160S
VIDEO PCB	R462		nsp	nsp	R,CHIP THICK	75-J,1/16W-1608REEL	C20007506M160S
VIDEO PCB	R463		nsp	nsp	R,CHIP THICK	75-J,1/16W-1608REEL	C20007506M160S
VIDEO PCB	R464		nsp	nsp	R,CHIP THICK	75-J,1/16W-1608REEL	C20007506M160S
VIDEO PCB	R465		nsp	nsp	R,CHIP THICK	75-J,1/16W-1608REEL	C20007506M160S
VIDEO PCB	R466		nsp	nsp	R,CHIP THICK	75-J,1/16W-1608REEL	C20007506M160S
VIDEO PCB	R467		nsp	nsp	R,CHIP THICK	0-J,1/16W-1608REEL	C20000006M160S
VIDEO PCB	R472		nsp	nsp	R,CHIP THICK	75-J,1/16W-1608REEL	C20007506M160S
VIDEO PCB	R473		nsp	nsp	R,CHIP THICK	75-J,1/16W-1608REEL	C20007506M160S
VIDEO PCB	R474		nsp	nsp	R,CHIP THICK	75-J,1/16W-1608REEL	C20007506M160S
VIDEO PCB	R475		nsp	nsp	R,CHIP THICK	75-J,1/16W-1608REEL	C20007506M160S
VIDEO PCB	R476		nsp	nsp	R,CHIP THICK	75-J,1/16W-1608REEL	C20007506M160S
VIDEO PCB	R477		nsp	nsp	R,CHIP THICK	75-J,1/16W-1608REEL	C20007506M160S
VIDEO PCB	R478		nsp	nsp	R,CHIP THICK	5.1K-J,1/16W-1608REEL	C20005126M160S
VIDEO PCB	R479		nsp	nsp	R,CHIP THICK	5.1K-J,1/16W-1608REEL	C20005126M160S
VIDEO PCB	R480		nsp	nsp	R,CHIP THICK	5.1K-J,1/16W-1608REEL	C20005126M160S
VIDEO PCB	R481		nsp	nsp	R,CHIP THICK	1.5K-J,1/16W-1608REEL	C20001526M160S
VIDEO PCB	R482		nsp	nsp	R,CHIP THICK	1.5K-J,1/16W-1608REEL	C20001526M160S
VIDEO PCB	R483		nsp	nsp	R,CHIP THICK	1.5K-J,1/16W-1608REEL	C20001526M160S
VIDEO PCB	XTAL401	N1	963141007920M	963141007920M	CRYSTAL	8.867238MHZ CL=18PF HC-49U 30PPM	E8008R8672380S
VIDEO PCB	XTAL401	K1SG	nsp	963141007920M	CRYSTAL	8.867238MHZ CL=18PF HC-49U 30PPM	E8008R8672380S
VIDEO PCB	XTAL402		00D9630217400	00D9630217400	CRYSTAL	14.31818MHZ, HC-49S CL;18PF STRIGHT LEAD	E80014R318080S

NOTE : "nsp" PART IS LISTED FOR REFERENCE ONLY, D&M WILL NOT SUPPLY THESE PARTS.