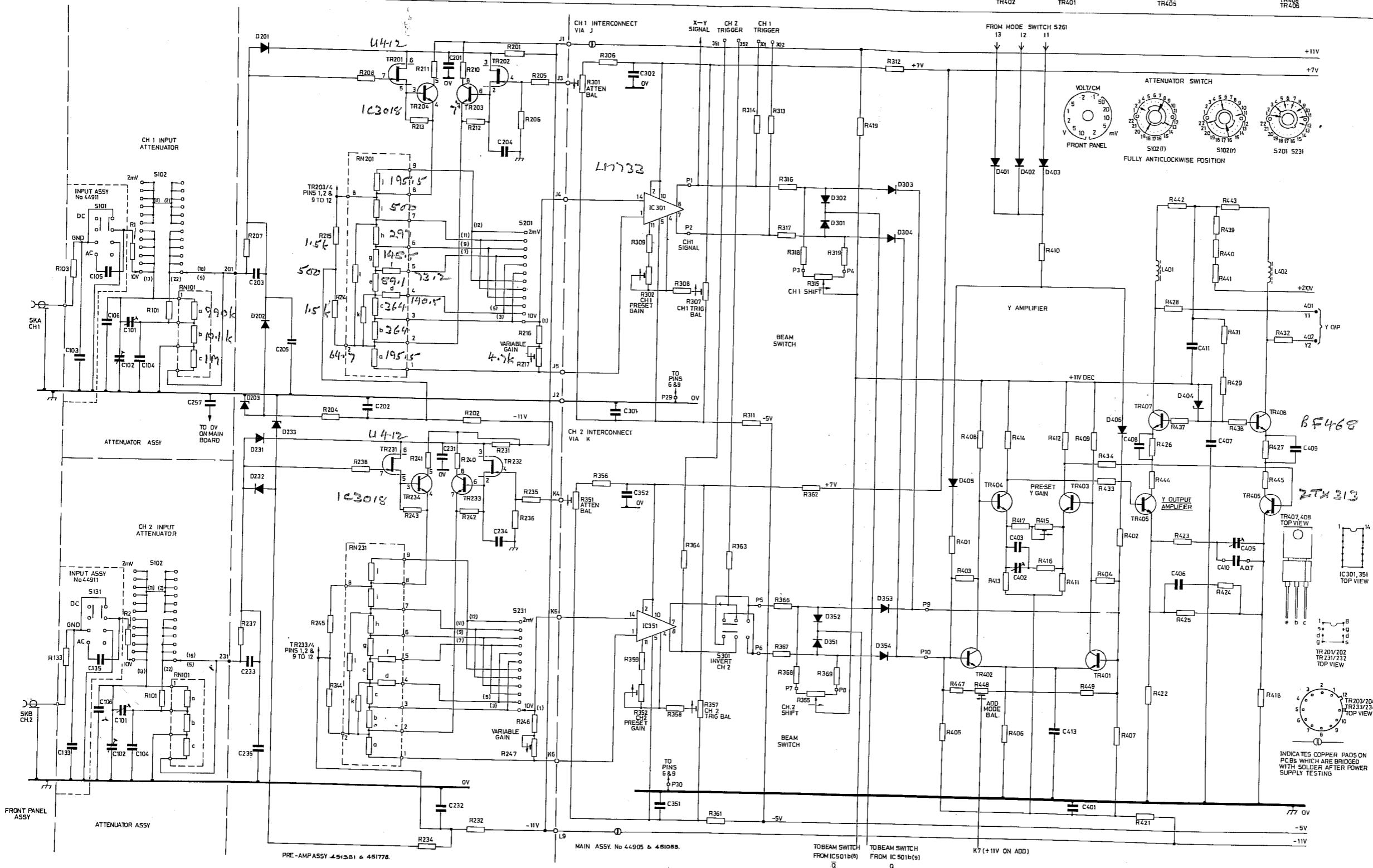


| | | | | | | | | | | | | | | | | | | | | | | | | | | | | | | | | | | | |
|-------|-----------|-----------|-----------------|---------------------|--------------------------|---------------------|-------------|---------------------|--------------------------|----------------|-------------|---------------------|---------------------|---------------------|---------------------|--------------------------|-------------|-----------|------------------|----------------|------------------|-----------|----------------|----------------|----------------|---------------------|----------------|-----------|---------------------|----------------|-----------|---------------------|----------------|-----------|------|
| RESIS | R103 R133 | R1 | R101 RN101a,b,c | R207 R237 | R216 R214 R204 R245 R244 | RN201-a-1 RN231-a-1 | R208 R238 | R211 R213 R241 R243 | R212 R217 R242 R243 R240 | R201 R231 | R205 R206 | R216 R217 R246 R247 | R301 R351 | R306 R356 | R309 R302 R359 R352 | R308 R307 R354 R358 R357 | R363 R361 | R311 R313 | R316 R317 | R318 R356 R367 | R315 R319 R419 | R312 R369 | R401 R403 R406 | R408 R413 R406 | R414 R410 R416 | R412 R415 R411 R407 | R409 R404 R422 | R402 R421 | R426 R423 R437 R425 | R428 R437 R424 | R442 R441 | R443 R439 R440 R441 | R431 R429 R418 | R432 R427 | R445 |
| CAP | C103 C133 | C105 C106 | C102 C101 C104 | C257 | C203 C233 C235 | C205 | C202 | C201 C231 C232 | C204 C234 | C302 C301 C352 | C351 | C403 C402 | C401 | C408 | C411 | C407 C406 | C405 C410 | C409 | | | | | | | | | | | | | | | | | |
| MISC | SKA SKB | S101 S131 | S102 | D203 D202 D232 D201 | D233 | TR201 TR231 | TR204 TR234 | TR203 TR233 | TR202 TR232 S231 | J | IC301 IC351 | S301 | D302 D352 D301 D351 | D303 D353 D304 D354 | D405 | D401 D402 D403 | TR403 TR401 | D406 | L401 TR407 TR405 | D404 | L402 TR408 TR406 | | | | | | | | | | | | | | |



Eclair OS 300 Y Amplifier
 OS 300 OS 255
 RN101 - P-No A3/43194
 RA201 - A3/44651
 RN201 A3/39281
 RN231 A3/40388
 OS 250 uses separate resistors, value given

Fig. 4 Y Amplifier Circuit Diagram

| | | | | | | | | | | | | | | | | | | | | | | | | | | | | | | | | | | | | | | | | | | | | | | | | | | | | |
|--------|------|------|------|------|------|------|------|------|------|------|------|-------|-------|------|-------|-------|------|------|-------|------|------|-------|--------|------|--------|-------|-------|-------|------|-------|-------|-------|-------|------|--------|-------|-------|-------|------|------|------|------|-------|------|-------|------|-------|-------|------|------|-------|------|
| RESIS. | R151 | R630 | R636 | R619 | R618 | R613 | R639 | R644 | R584 | R606 | R640 | R605 | R601 | R624 | R522 | R512 | R516 | R517 | R511 | R503 | R526 | R527 | R523 | R536 | R520 | R532 | R507 | R509 | R263 | R573 | R266 | R265 | R267 | R268 | R504 | R506 | R513 | R570 | R551 | R553 | R560 | R537 | R555 | R576 | R642 | R561 | R558 | | | | | |
| CAP. | C151 | C610 | C601 | C602 | C604 | C603 | C620 | C619 | C614 | C623 | C606 | C605 | C622 | C611 | C616 | C612 | C613 | C501 | C507 | C502 | C615 | C506 | C508 | C518 | C505 | C520 | C268 | C510 | C507 | C264 | C263 | C267 | C265 | C266 | C503 | C515 | C513 | C516 | C509 | C514 | C511 | C512 | | | | | | | | | | |
| MISC. | S261 | S501 | S502 | S503 | S504 | S505 | S507 | D602 | D604 | D608 | D611 | TR602 | TR601 | D609 | IC602 | TR504 | D509 | D505 | TR502 | D503 | D507 | TR501 | IC501a | D508 | IC601c | TR503 | IC552 | TR261 | D501 | TR262 | S262b | TR264 | TR505 | D512 | IC501b | TR263 | IC261 | S262c | S506 | D516 | D517 | D515 | TR512 | D519 | TR509 | D521 | TR515 | TR513 | D518 | D511 | TR514 | D510 |

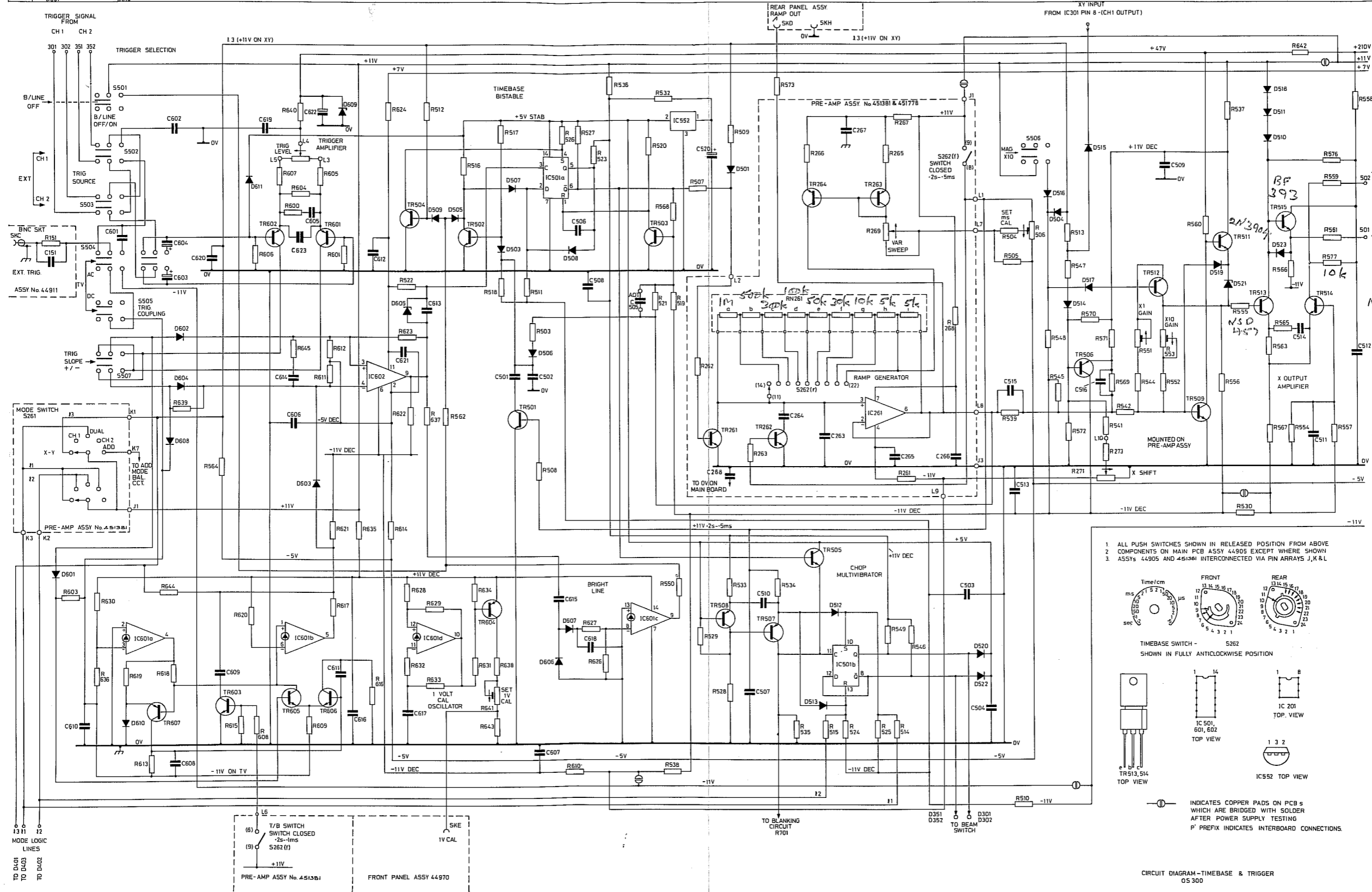


Fig. 5 Timebase and Trigger Circuit Diagram

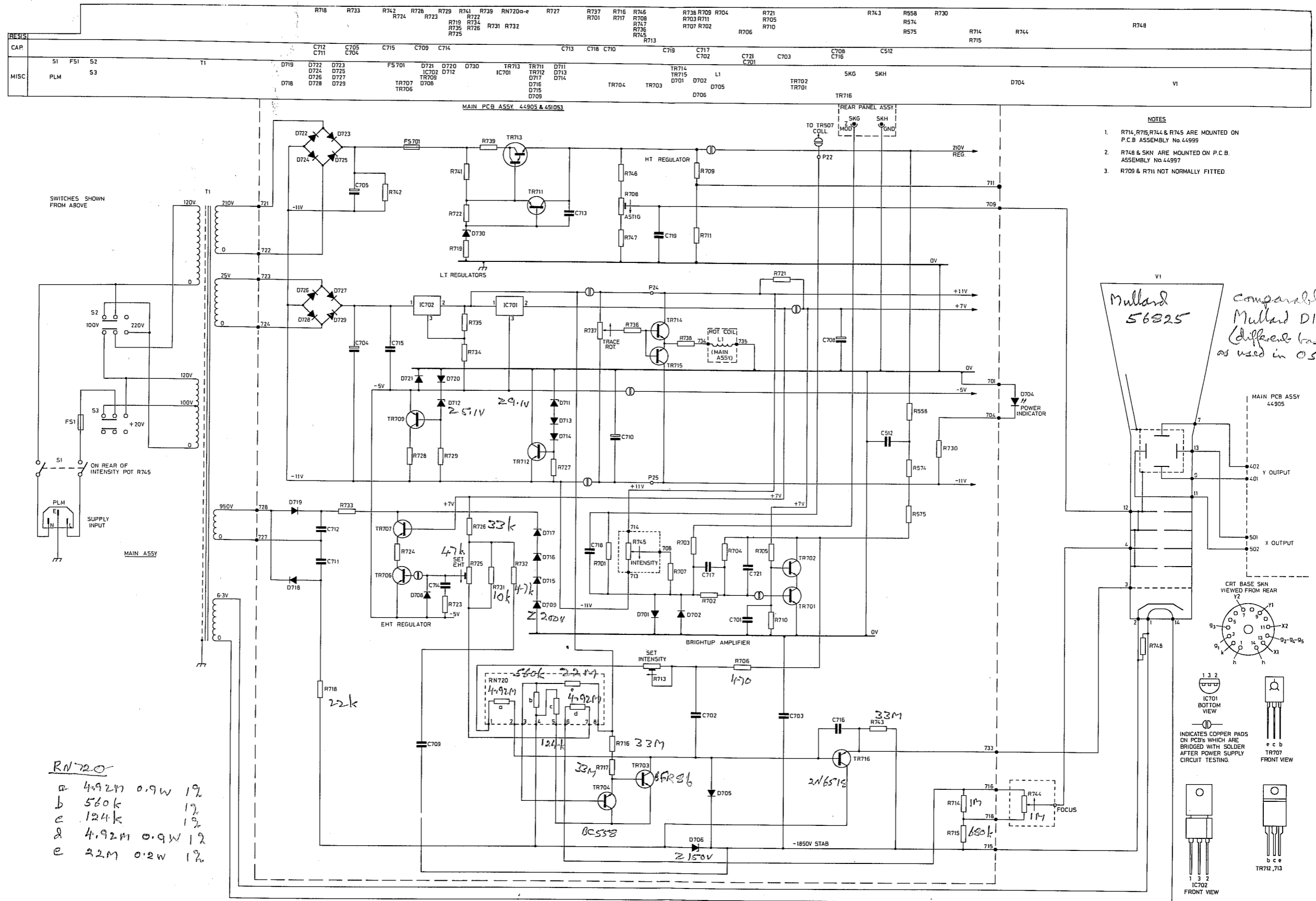


Fig. 6 Power Supply and C.R.T. Circuit Diagrams