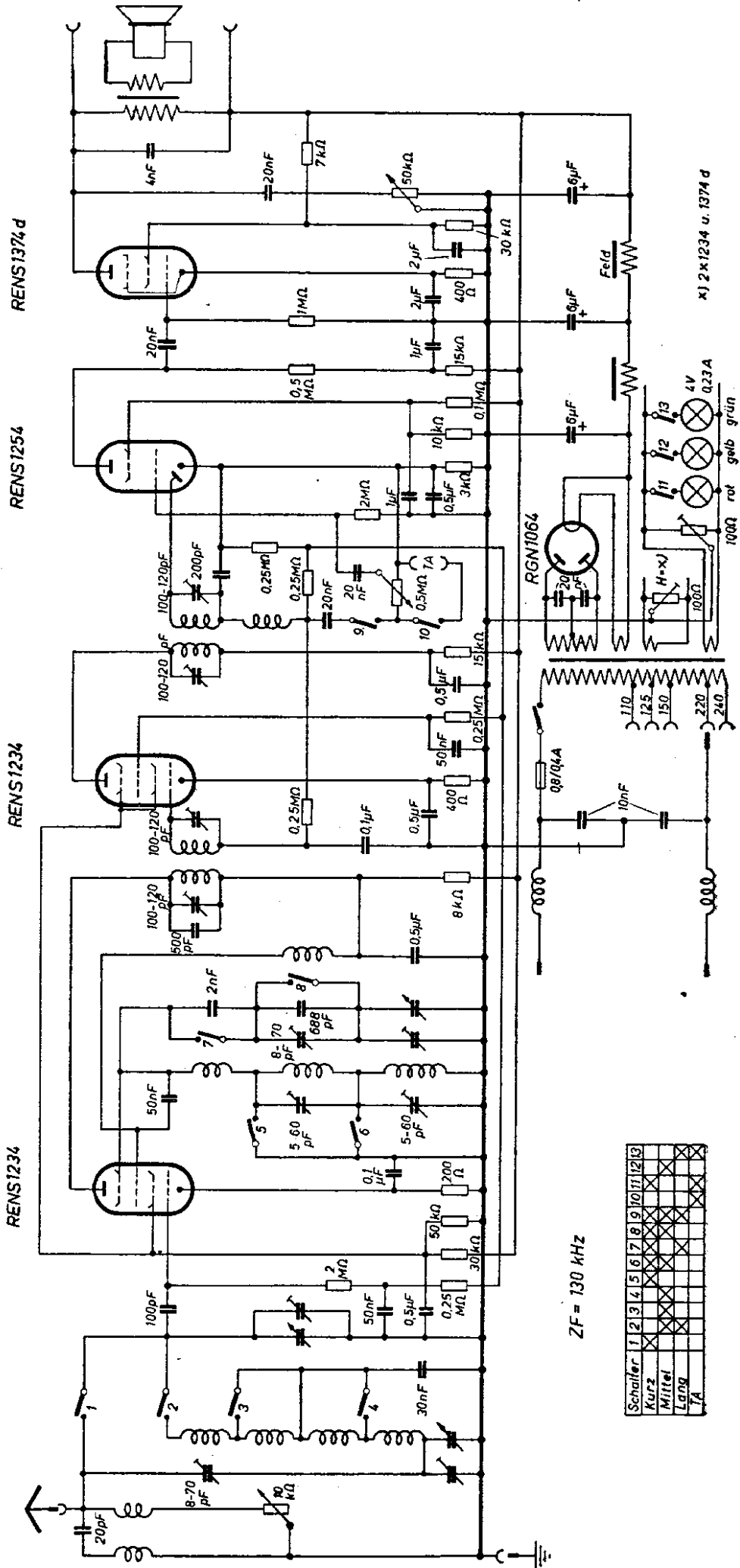


# Lorenz Supercelohet 33 W



Schalter	1	2	3	4	5	6	7	8	9	10	11	12	13
Kurz	X	X	X	X	X	X	X	X	X	X	X	X	X
Mittel	X	X	X	X	X	X	X	X	X	X	X	X	X
Lang	X	X	X	X	X	X	X	X	X	X	X	X	X
TA	X	X	X	X	X	X	X	X	X	X	X	X	X