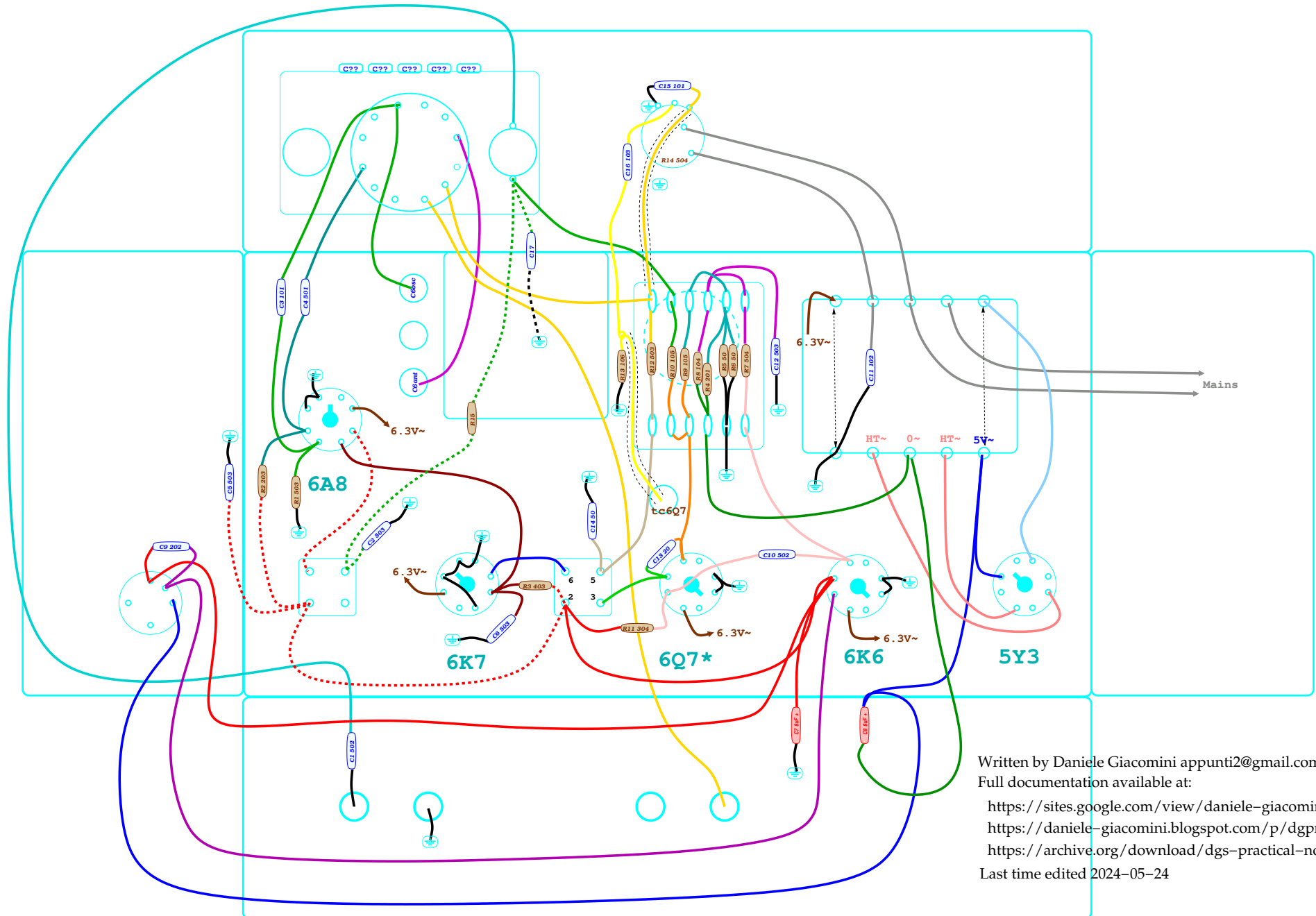


Hertz radio Torino 510, 1949

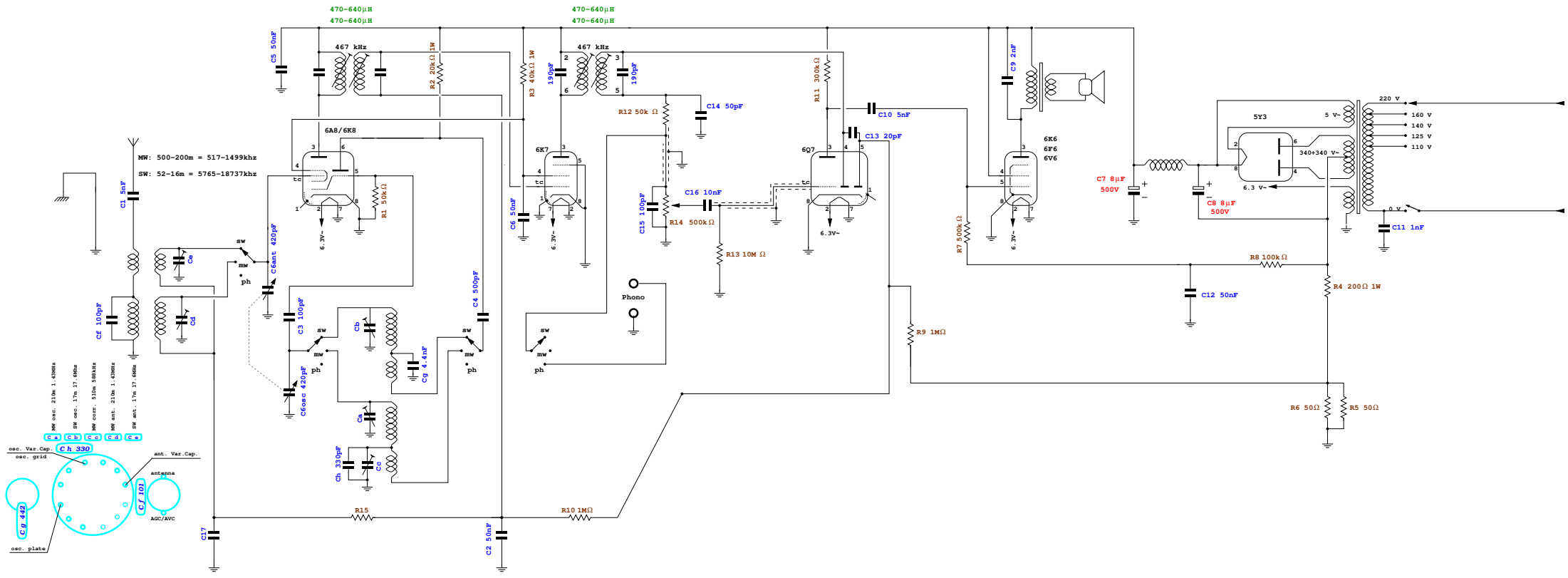
original component and wiring arrangement under the chassis



Written by Daniele Giacomini appunti2@gmail.com
Full documentation available at:
<https://sites.google.com/view/daniele-giacomini/dgpn>
<https://daniele-giacomini.blogspot.com/p/dgpn.html>
<https://archive.org/download/dgs-practical-notes>
Last time edited 2024-05-24

Hertz radio Torino 510, 1949

original schematic diagram



Written by Daniele Giacomini appunti2@gmail.com
Full documentation available at:
<https://sites.google.com/view/daniele-giacomini/dgpn>
<https://daniele-giacomini.blogspot.com/p/dgpn.html>
<https://archive.org/download/dgs-practical-notes>
Last time edited 2024-05-24