

PRIOR
RADIO

Prior Radiofabrikk A/S

Prior P 17v Cortina

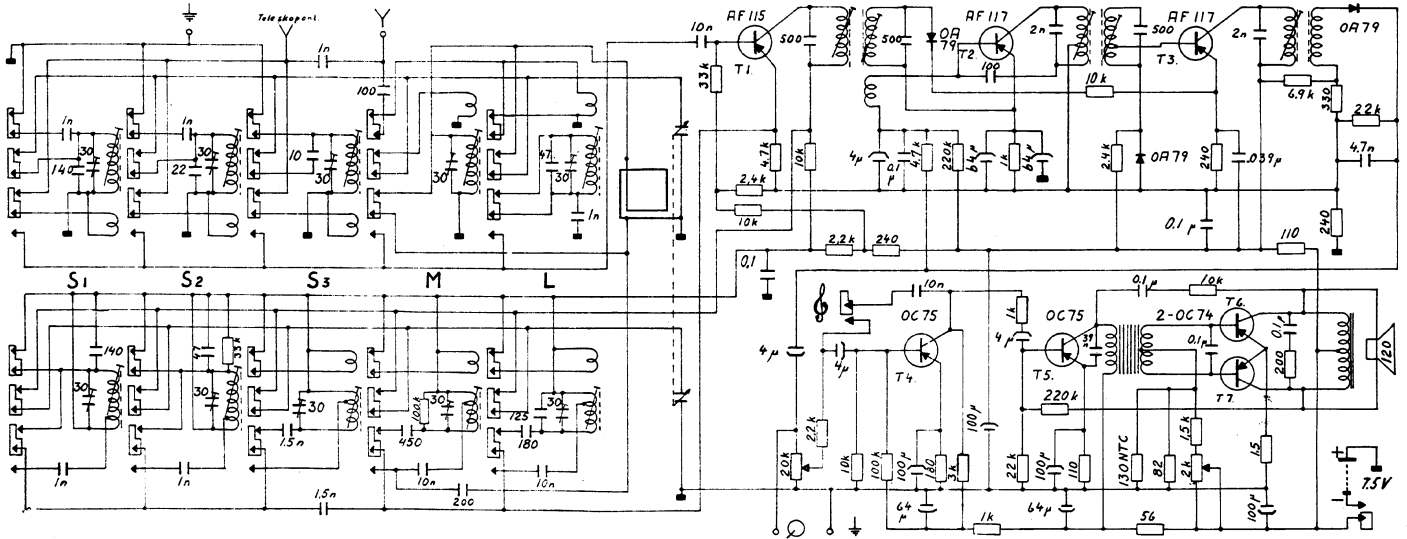
"Transa de Luxe"

Byggeår	1960
Transistorer	AF115, 2xAF117, 2xOC75, 2xOC74
Bølgelengder	L(150 - 320 kHz) M(550 - 1650 kHz) K1(13 - 23MHz) K2(6 - 12.5MHz), K3(1.7 - 5.8 MHz)
Høytaler	Permanentdynamisk, 13 x 19 cm (5 x 7.5")
Kabinett/treverk	Finér trukket med shirting i rødt og beige, lys plast front
Spenninger	5 x 1.5 volt batterier
Fysiske mål	B(33) x H(22.5) x D(12) cm
Pris	kr 458,-
Merknader	Denne utgaven her en egen vender for bilantenne.



12-97
Copyright NRHF©

60 NK 1 S



Note that the transistors are very sensitive. Be careful when using measuring instruments.

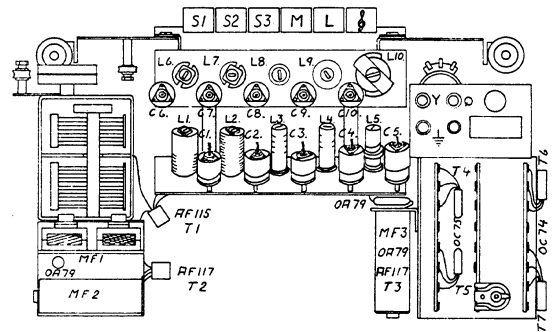
The output transistors can be overheated and destroyed in a few seconds if base by an accident is put to minus.

Intermediate frequency (IF) 455 kHz must be aligned in the medium wave position.

The position of the pointer by maximum capacity is behind

The - down points:

Oscillator	LW	160 kHz	L5	300 kHz	C5
	MW	600 kHz	L4	1500 kHz	C4
	S3	1,9 MHz	L3	5,0 MHz	C3
	S2	6,5 MHz	L2	12,0 MHz	C2
	S1	14,0 MHz	L1	22,0 MHz	C1
Signal	LW	160 kHz	L10	300 kHz	C10
	MW	600 kHz	L9	1500 kHz	C9
	S3	1,9 MHz	L8	5,0 MHz	C8
	S2	6,5 MHz	L7	12,0 MHz	C7
	S1	14,0 MHz	L6	22,0 MHz	C6



MW