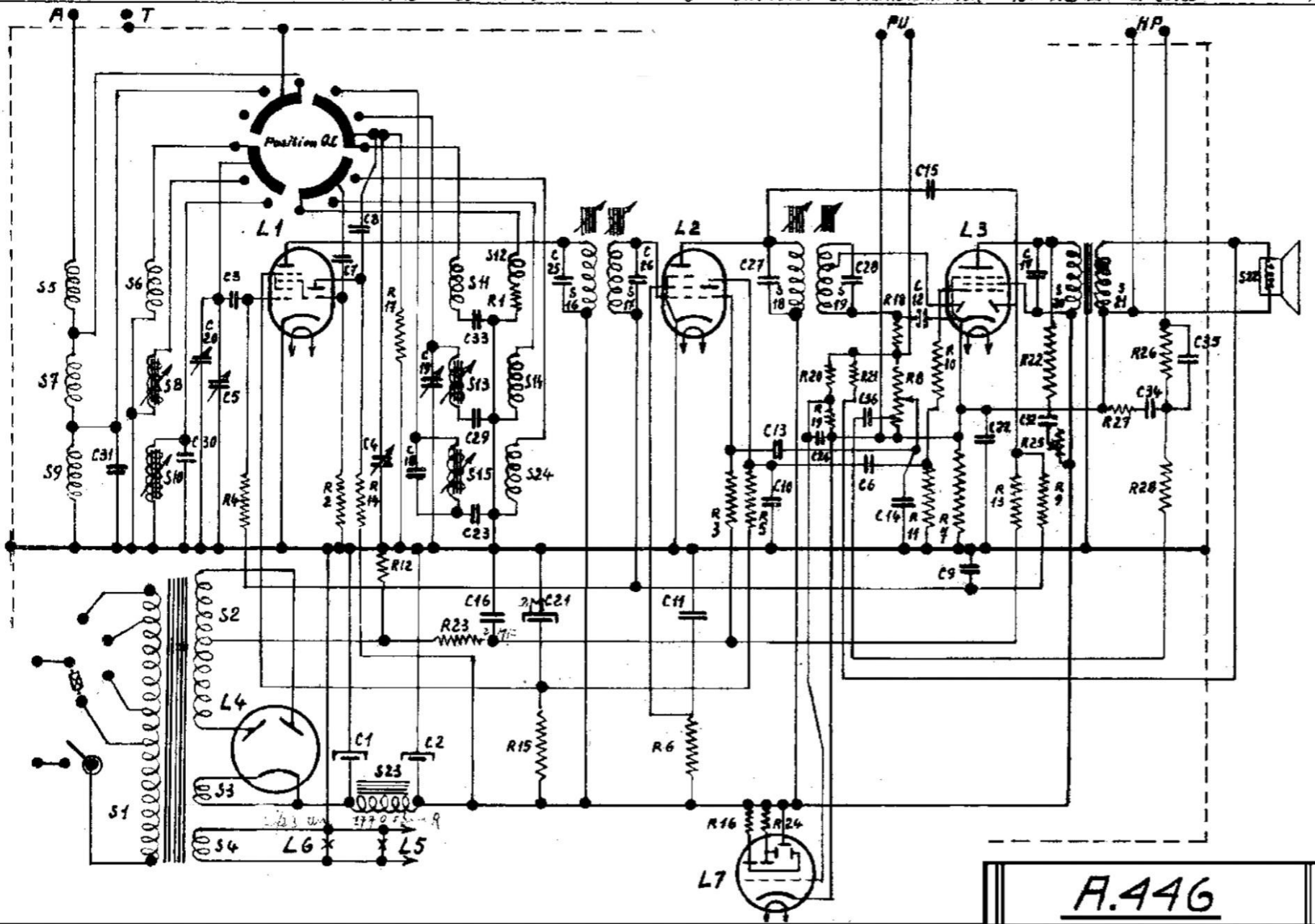
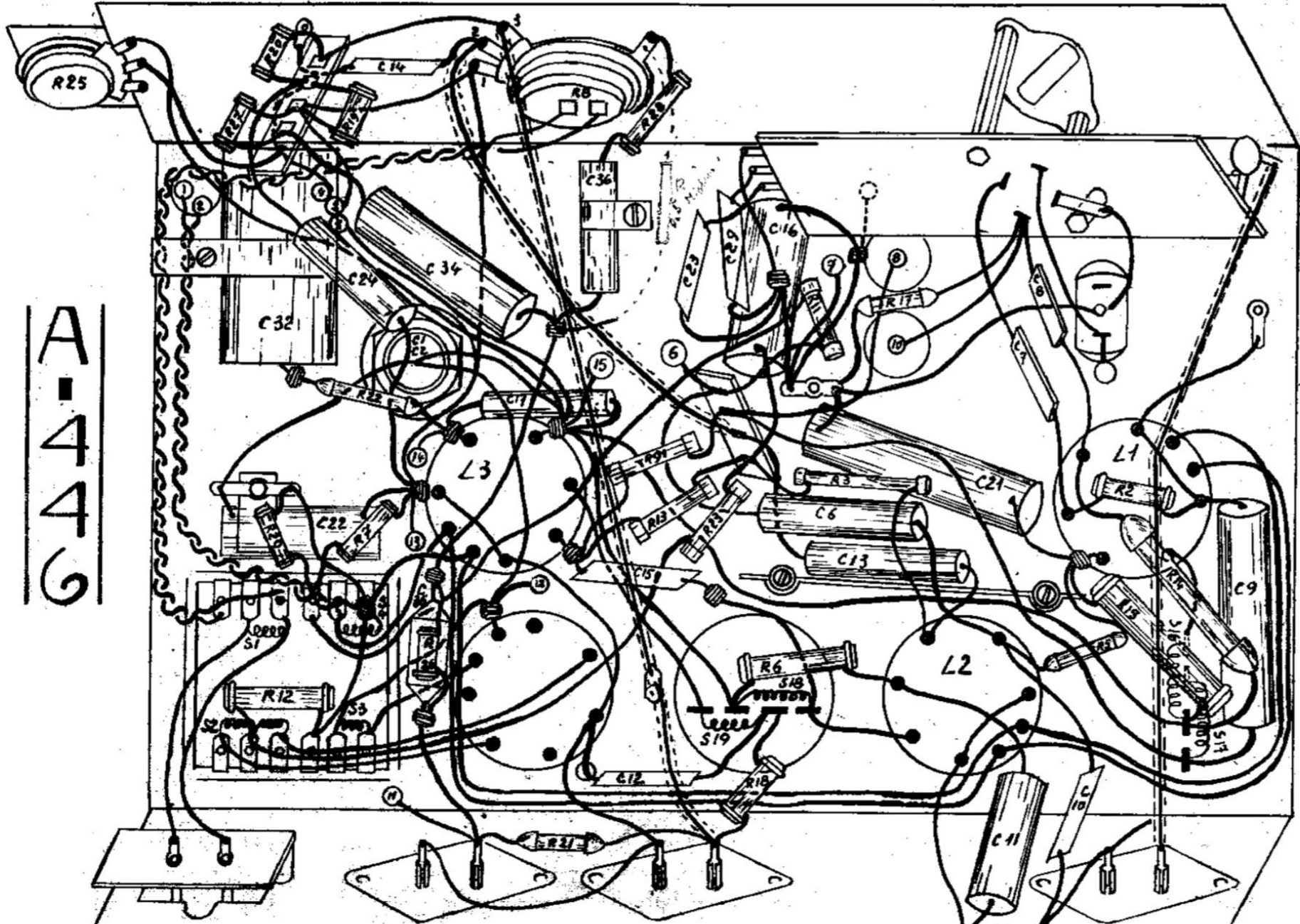


S	5,7,9	1,6,8,10,2,3,4	23	11,13,15,12,16,24,18,17	18,19	20,21	22	5
C	31	30,20,5,3	7,8,1,2,4,10,19,29,33,23,16,21,25	26,11	27,10,13	24,28,36,6,14,12,15,9,22,17,32	34,35	C
R		4	2,14,17,12	23	1,15	6	3,16,5,24	20,19,21,18,8,11,10,7
							15,9,25,22	27,26,28



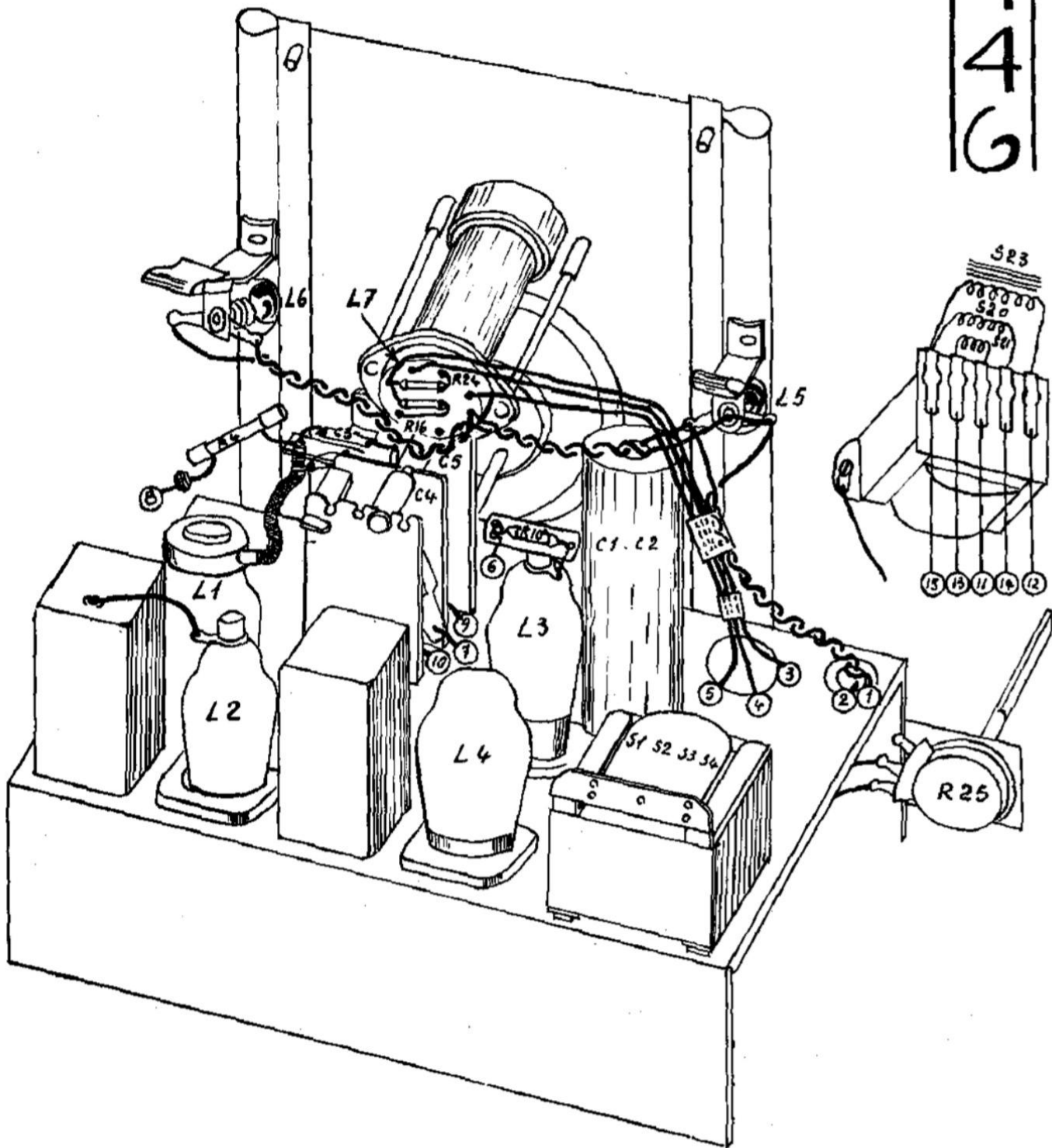
A.446

3	1	2	4							19	18					16.1P	3
25	22	24	16.12.25	26	17	36	15.12.23	27	16	6	13	21	9.8.11	10	9	5	6
	27	30.29	12.19.22.7	26		21	28	9.15.23	18.11.6	3	17			5.2.15	14		8



A-446

A-446



RESISTANCES

N°	VALEUR	N° DE CODE
R.1	50 ohms	FC.14 0051
R.2	50000 "	FC.14 0054
R.3	1 Mégohm	FC.14 0016
R.4	1 "	FC.14 0016
R.5	30000 ohms	FC.12 0034
R.6	90000 "	FC.12 0094
R.7	150 "	FC.12 0151
R.8-R ⁸	0,64-0,06 Mégohm	FK.501.090
R.9	1 "	FC.14 0016
R.10	10000 ohms	FC.14 0014
R.11	0,5 Mégohm	FC.14 0055
R.12	40 ohms	FC.12 0041
R.13	0,5 Mégohm	FC.14 0055
R.14	25000 ohms	FC.01 0253
R.15	40000 "	FC.01 0044
R.16	1,5 Mégohm	FC.14 0155
R.17	10000 ohms	FC.14 0014
R.18	100000 "	FC.14 0015
R.19	2,5 Mégohm	FC.14 0255
R.20	2,5 "	FC.14 0255
R.21	800000 ohms	FC.14 0085
R.22	100 "	FC.14 0012
R.23	500000 "	FC.14 0055
R.24	1,5 Mégohm	FC.14 0155
R.25	50000 ohms	FK.501.110
R.26	600 "	FC.14 0062
R.27	250 "	FC.14 0251
R.28	16000 "	FC.140163
R.29	200 "	FC.12 0022

potentiomètre

potentiomètre

C O N D E N S A T E U R S

N°	V A L E U R	N° DE CODE
C.1-C.2	2 x 12 uF	FEN 40126
C.3	100 uuF	FEL 40012
C.4-C.5	2 x 512 uuF	FK.500.280
C.6	10000 uuF	FPQ 40014
C.7	50 uuF	FML 40051
C.8	500 uuF	FEL 40052
C.9	100000 uuF	FPP 40015
C.10	100 uuF	FEL 40012
C.11	50.000 uuF	FPQ 40054
C.12	80 uuF	FEL 40081
C.13	10000 uuF	FPP 40014
C.14	100 uuF	FML 40012
C.15	2 uuF	28.206.61
C.16	2 uF	FEN 40026
C.17	2000 uuF	FPT 40023
C.18	122 uuF	FEL 11220
C.19	30 uuF	28.212.45
C.20	30 uuF	28.212.45
C.21	2 uF	FEN 40026
C.22	50 uF	FED 40057
C.23	188 uuF	FML 11880
C.24	100000 uuF	FPP 40016
C.25	100 uuF	FML 20012
C.26	100 uuF	FML 20012
C.27	100 uuF	FML 20012
C.28	110 uuF	FML 20111
C.29	470 uuF	FML 10471
C.30	50 uuF	FML 10051
C.31	50 uuF	FML 30051
C.32	0,2 uF	FPT 40025
C.33	4000 uuF	FML 30043
C.34	150000 uuF	FPP 40154
C.35	15000 uuF	FPP 40153
C.36	27000 uuF	FPP 40273