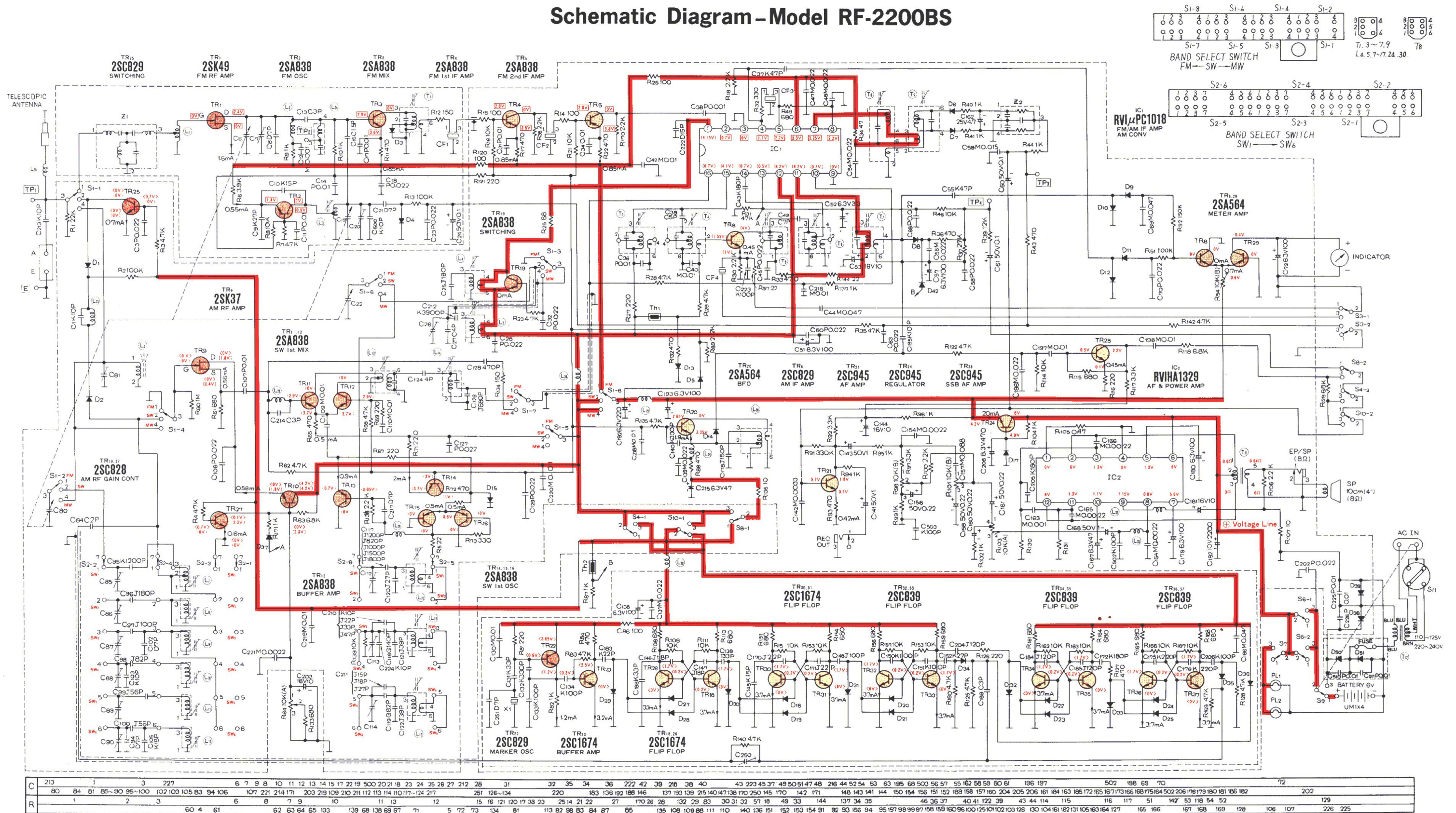


Schematic Diagram - Model RF-2200BS



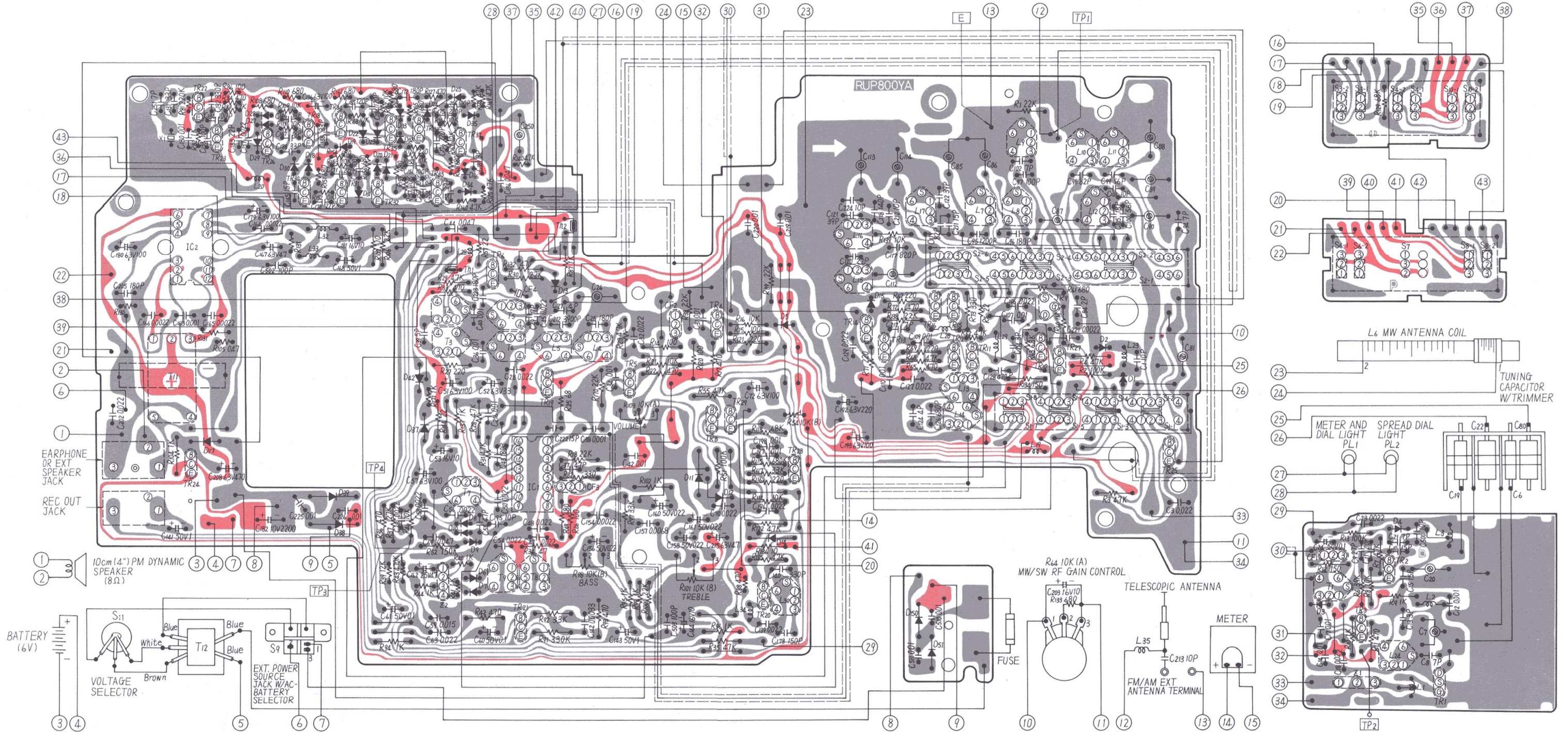
- Notes:**
- S1-1~S1-8: Band switch in "FM" position.
 - S2-1~S2-6: SW band switch in "SW1" position.
 - S3-1, S3-2: FM AFC/BAND WIDTH switch in "OFF" "NARROW" position.
 - S4-1, S4-2: X-TAL MARKER/125 kHz switch in "OFF" position.
 - S6-1, S6-2: Power switch in "OFF" position.
 - S7: Dial Light switch in "OFF" position.

- S8-1, S8-2: BFO switch in "OFF" position.
- S9: AC-BATTERY switch in "BATTERY" position.
- S10-1, S10-2: X-TAL MARKER/500 kHz switch in "OFF" position.
- S11: Voltage selector in "110~125V" position
- DC voltage measurements are taken with circuit tester 10kΩ/V from negative side of batteries.
- ...FM position []...MW & SW position ()...SW position < >...CAL-ON position TR20...BFO-ON position
- 1) IC2 with B rank without R130, R131.
- 2) IC2 with C rank R130, R131.....22 kΩ.
- 3) IC2 with D rank R130, R131.....15 kΩ.
- Battery current: No signal 60mA
Maximum output650mA

IMPORTANT SAFETY NOTICE
THE SHADED AREA ON THIS SCHEMATIC DIAGRAM INCORPORATES SPECIAL FEATURES IMPORTANT FOR SAFETY. WHEN SERVICING IT IS ESSENTIAL THAT ONLY MANUFACTURER'S SPECIFIED PARTS BE USED FOR THE CRITICAL COMPONENTS IN THE SHADED AREAS OF THE SCHEMATIC.

D1, 2	RVDS113	SWITCHING	D14	RVD1K110	SSB DET
D3	RVD1K110	FM AGC	D15	RVDVD125L	AOC
D4	RVDS113	FM AFC	D17	RVDMZA205	ZENER
D5, 13	RVDVD1250M	AOC	D18~25	MA150	TRIGGER
D6, 7	2-OA90	FM DET	D27~33	MA150	TRIGGER
D8	OA90	AM DET	D34, 35	OA90	DET
D9, 10	OA90	AM METER RECT	D36, 37, 42	MA150	SWITCHING
D11, 12	OA90	FM METER RECT	D38, 39	RVD10E1LF	RECT

Circuit Board Wiring View-Model RF-2200BS



TR, D & IC	IC2	TR22	TR23	D28	D27	D29	TR26	D30	TR30	D18	TR31	D19	TR34	D41	D22	D20	D32	TR32	D21	TR35	D39	TR36	D24	TR33	D25	TR37	D34	D35	TR5	D11	D12	TR8	TR4	TR29	TR20	D14	D5	TR28	TR14	D15	TR13	TR16	TR15	TR12	TR11	D50	D51	TR10	TR9	TR27	D2	D1	D3	TR3	TR2	D4	TR1
T & L	T11	T12	L20	D39	D38	D42	D37	D8	D10	D6	D7	TR21	IC1	TR19	D13	L4	L3	L28	T7	T5	T6	T9	T8	L5	L4	L34	L30	L16	L15	L17	L26	L13	L14	L7	L29	L8	L9	L19	L10	L12	L11	L23	L35	T1	L6	L24	L1	L3									

TR1	TR2	TR3	TR4	TR5	TR6	TR8	TR9	TR10	TR11	TR12	TR13	TR14	TR15	TR16	TR18	TR19	TR20	
FM	FM	FM	FM	FM	MW&SW	C 0V	MW&SW OAL-ON	MW&SW OAL-ON	SW	SW	SW	SW	SW	SW	OAL-ON	C ---	BFO-ON	
S 0V	C 0V	O 0V	C 0V	C 0V	C 4V	B 0V	S 0.4V 0V	C 4.2V 4.2V	O 0V	C 0V	O 0V	O 1V	O 0V	O 0V	O 1.7V	B ---	O 0V	
O 0V	B 0.9V	B 2.0V	B 2.8V	B 2.8V	O 1.55V	E 0.6V	O 0V 0V	B 2.3V 0V	B 2.9V	B 2.9V	B 0.05V	B 3V	B 0V	B 0V	B 0.2V	E ---	B 2.85V	
D 2.4V	E 1.4V	E 3.6V	E 3.8V	E 3.8V	E 1V	Ic 0mA	D 1.8V 0V	E 1.8V 0V	E 3.7V	E 3.7V	E 0.7V	E 3.7V	E 0.6V	E 0.6V	E 0V	Ic ---	E 3.25V	
Ic 1.6mA	Ic 0.85mA	Ic 0.85mA	Ic 0.85mA	Ic 0.85mA	Ic 0.45mA		Ic 0.56mA 0mA	Ic 0.56mA 0mA	Ic 0.5mA	Ic 0.5mA	Ic 0.9mA	Ic 2mA	Ic 0.5mA	Ic 0.5mA	Ic 3.7mA		Ic 1.9mA	
TR21	TR22	TR23	TR24	TR25	TR26	TR27	TR28	TR29	TR30-37	IC1	IC2							
O 1.8V	OAL-ON	OAL-ON	C 6V	SW OAL-ON	OAL-ON	SW OAL-ON	C 2.2V	C 0.4V	OAL-ON	FM	MW&SW	1 0V 7 5.6V						
B 0.7V	C 3.65V	C 2.5V	B 4.9V	C 0V 0V	O 1.7V	O 2.3V 0.1V	C 0.5V	B 0V	C 1.7V	2 0.7V 1 4.15V	2 6V 8 0.8V							
E 0.2V	B 0.9V	B 0.3V	B 4.2V	B 0V 0.7V	B 0.2V	B 0V 0.7V	E 0.1V	E 0.6V	B 0.2V	3 0V 9 0V	3 1.3V 9 1.15V							
Ic 0.42mA	E 1.2V	E 0V	Ic 20mA	E 0V 0V	E 0V	E 0V -0V	Ic 0.45mA	Ic 0.75mA	E 0V	4 1.7V 10 0.7V	4 0V 10 1.1V							
	Ic 1.2mA	Ic 3.2mA		Ic 0mA 0.7mA	Ic 3.7mA	Ic 0mA 0.6mA				5 2.2V 11 4.2V	5 1.3V 11 1.3V							
										6 3.3V 12 4.2V	6 6V 12 6V							
										7 3.25V 13 0.5V								
										8 2.2V 14 0.7V								
										15 4.1V								
										16 0.7V								

