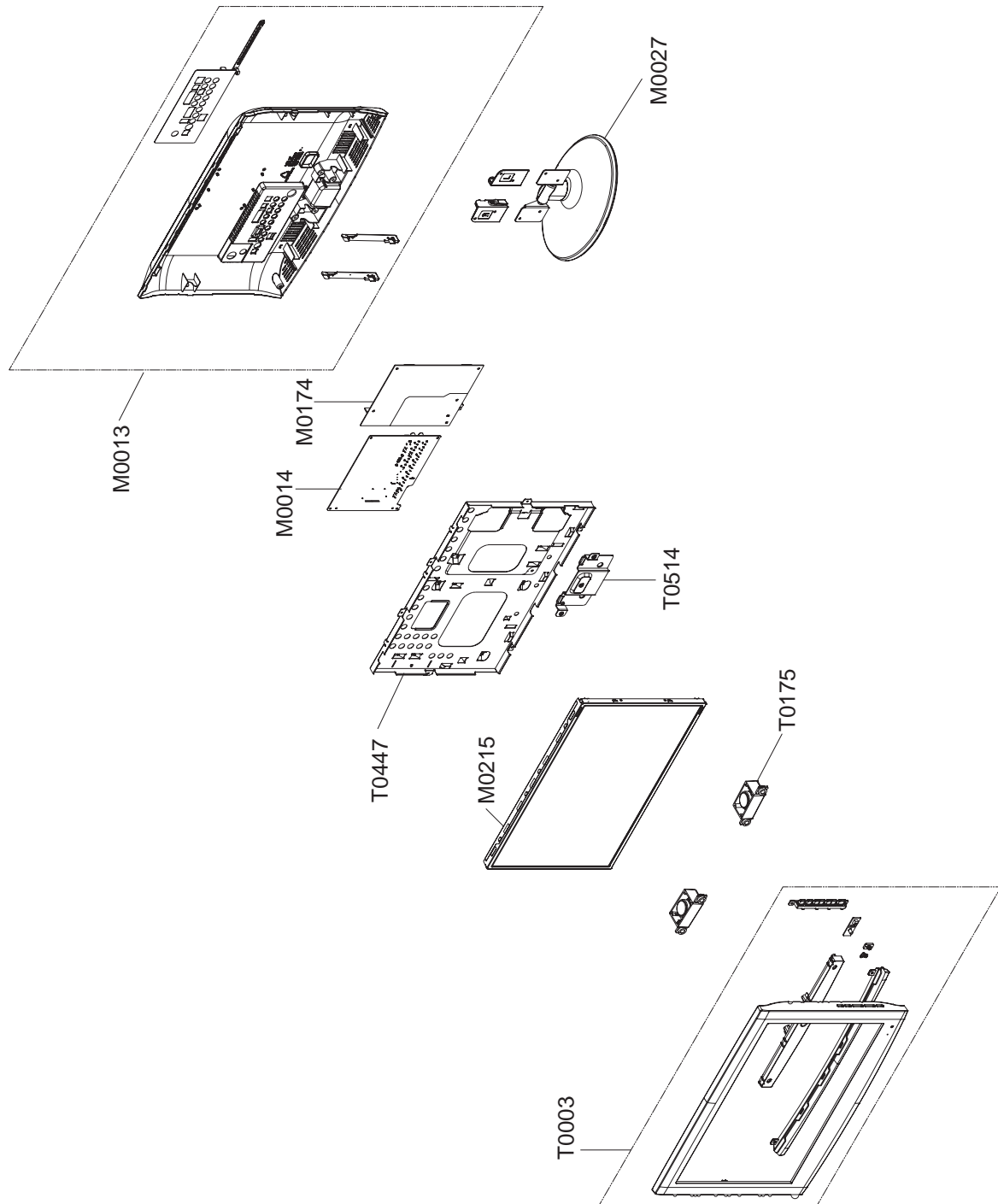


## 5. Exploded View & Part List

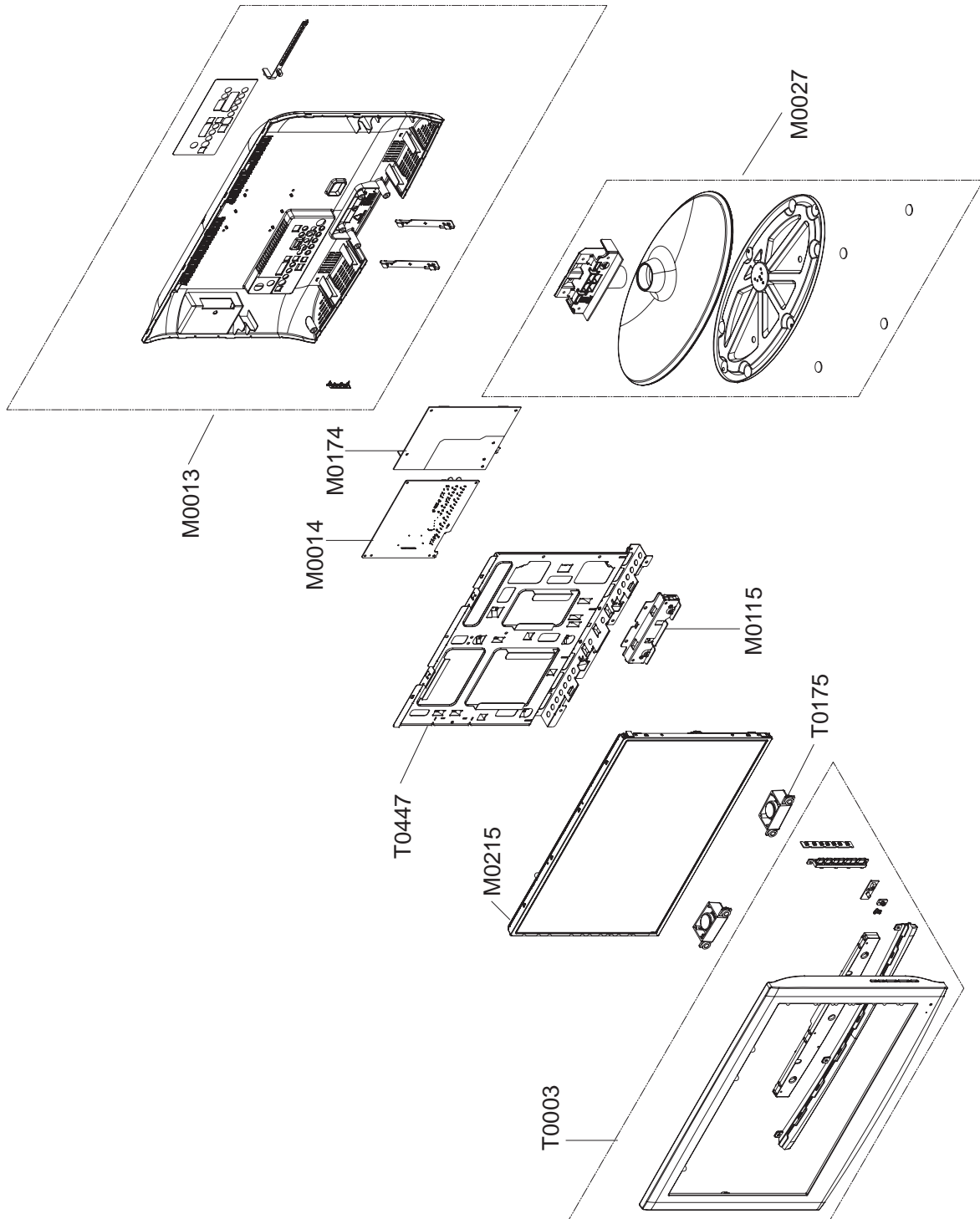
### 5-1. LE19B45\*\*\* Exploded View



**5-1-1. LE19B45\*\*\* Parts List**

Location No.	Code No.	Description & Specification	Q'ty	S.A/S.N.A	Remark
T0003	BN96-10014B	ASSY COVER P-FRONT;LB450 19,EO,ABS+PMMA,	1	S.A	
M0013	BN96-10018A	ASSY COVER P-REAR;LB450 19,EO,HIPS,HB,BK	1	S.A	
M0215	BN07-00623A	LCD-PANEL;CLAA185WA03	1	S.A	
M0215	BN07-00703A	LCD-PANEL ; LTM185AT01	1	S.A	
M0014	BN94-02690A	ASSY PCB MAIN;LE19B450C4WXXC	1	S.A	
T0447	BN96-10032B	ASSY BRACKET P-PANEL;LB450 19,CPT,SECC,T	1	S.A	
T0514	BN61-04796A	BRACKET-SUPPORT;B450 19inch,SECC,T 1.6	1	S.N.A	
M0174	BN44-00231B	IP BOARD;PWI1902ST(A),L450 18.5"(2Lamp),	1	S.A	
T0175	BN96-06823E	ASSY SPEAKER P;16ohm,4pin,3W,R:400 / L:2	1	S.A	
M0027	BN96-04794A	ASSY STAND P-BASE;19R81,,ABS+PMMA,HB,BK2	1	S.A	

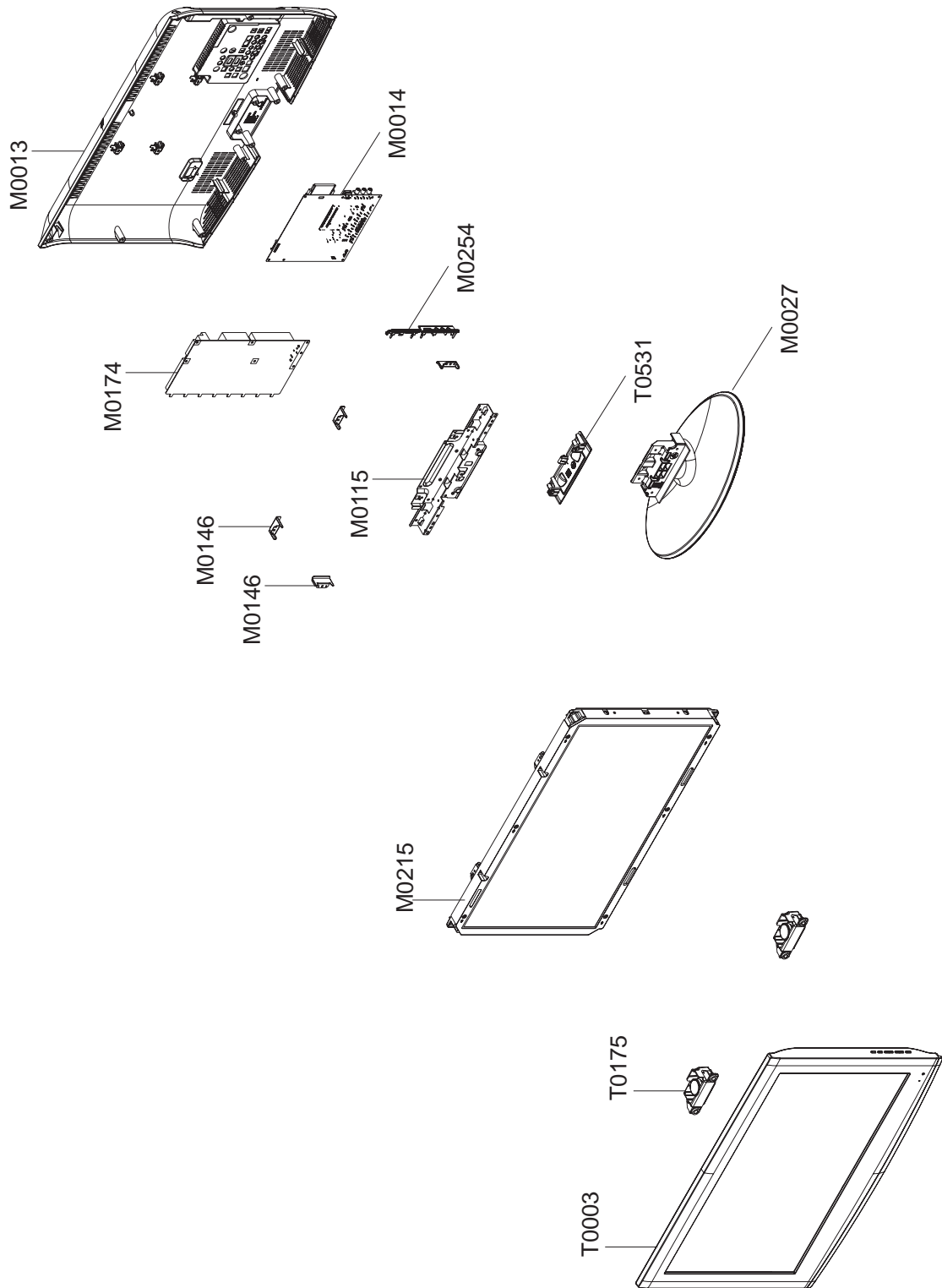
### 5-2. LE22B45\*\*\* Exploded View



**5-2-1. LE22B45\*\*\* Parts List**

Location No.	Code No.	Description & Specification	Q'ty	S.A/S.N.A	Remark
T0003	BN96-11197A	ASSY COVER P-FRONT;22L450,EO(HOTEL),PC,V	1	S.A	
M0013	BN96-10023C	ASSY COVER P-REAR;LB457 22,EO(HOTEL),HIP	1	S.A	
M0215	BN07-00620A	LCD-PANEL;V216B1-L02	1	S.A	
M0174	BN44-00232A	IP BOARD;IP-54135T,L650,1.4~2.8mA,6.8~8.	1	S.A	
T0447	BN96-10033A	ASSY BRACKET P-PANEL;LB450 22,EO,CMO,SEC	1	S.N.A	
M0014	BN94-02889C	ASSY PCB MAIN;LE22B450C4HXXC	1	S.A	
T0175	BN96-06823E	ASSY SPEAKER P;16ohm,4pin,3W,R:400 / L:2	1	S.A	
M0115	BN61-02947A	BRACKET-STAND LINK;JASMINE 32",SECC,T1.6	1	S.N.A	
M0027	BN96-06463F	ASSY STAND P-BASE;22,26L450,ABS+PMMA,HB,	1	S.A	

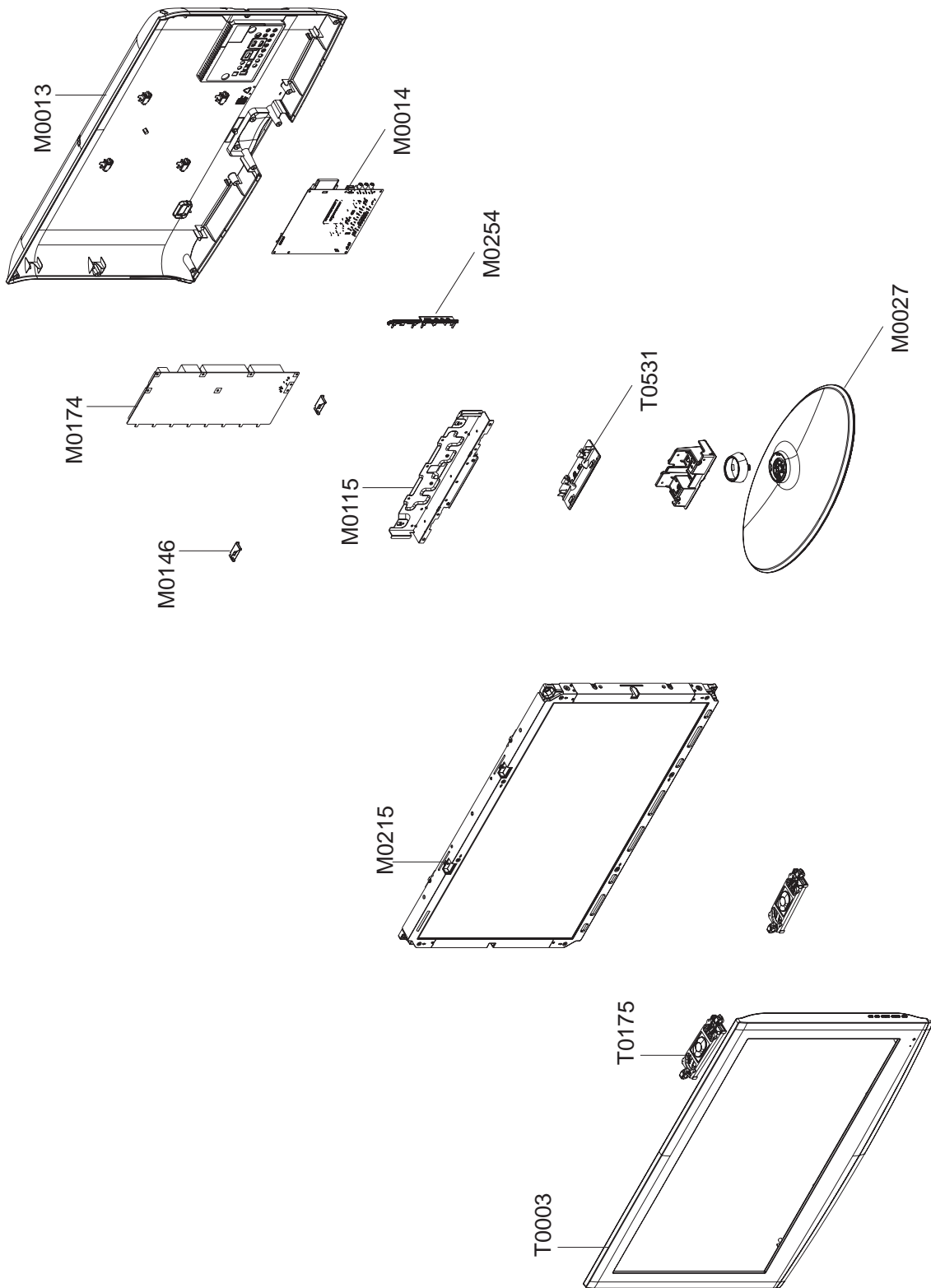
### 5-3. LE26B45\*\*\* Exploded View



**5-3-1. LE26B45\*\*\* Parts List**

Location No.	Code No.	Description & Specification	Q'ty	S.A/S.N.A	Remark
T0003	BN96-10017B	ASSY COVER P-FRONT;LB450 26,EO,ABS+PMMA,	1	S.A	
M0013	BN96-10025A	ASSY COVER P-REAR;LB450 26,EO,HIPS,HB,BK	1	S.A	
M0215	BN07-00638A BN07-00656A	LCD-PANEL;T260XW02 VS V260B3-L02,CM26B32	1	S.A	
M0174	BN44-00259B	IP BOARD-IP;B109-701GP,H26HD_9DF,0.12mA,	1	S.N.A	
M0146	BN61-05176A	BRACKET-PANEL TOP;26inch,SECC,T1.2	2	S.N.A	
M0146	BN61-05177A	BRACKET-PANEL SIDE;26inch,SECC,T1.2	2	S.N.A	
M0014	BN94-02690D	ASSY PCB MAIN;LE26B450C4WXXC	1	S.A	
M0254	BN61-04799A	HOLDER-SIDE AV;B450/B530,HIPS,HB,BK500,1	1	S.N.A	
T0175	BN96-06822H	ASSY SPEAKER P;16ohm,4pin,5W,R:150 / L:3	1	S.A	
T0531	BN63-04269B	COVER-BOTTOM;22,26,32L450,HIPS,HB,BK500	1	S.A	
M0115	BN61-04772A	BRACKET-STAND LINK;B450 26inch,SECC	1	S.N.A	
M0027	BN96-06463F	ASSY STAND P-BASE;22,26L450,ABS+PMMA,HB,	1	S.A	

### 5-4. LE32B45\*\*\* Exploded View



**5-4-1. LE32B45\*\*\* Parts List**

Location No.	Code No.	Description & Specification	Q'ty	S.A/S.N.A	Remark
T0003	BN96-10019B	ASSY COVER P-FRONT;LB450 32,EO,ABS+PMMA,	1	S.A	
M0013	BN96-10027A	ASSY COVER P-REAR;LB450 32,EO,HIPS,HB,BK	1	S.A	
M0215	BN07-00674A BN07-00639A BN07-00657A	LCD-PANEL;LTF320AP03	1	S.A	
M0174	BN44-00260C	IP BOARD;FSP118_3PI01,H32HD_9FS,0.12mA,1	1	S.A	
M0146	BN61-04980A	BRACKET-PANEL TOP;B550-3 32,SECC,T1.2	2	S.N.A	
M0014	BN94-02690C	ASSY PCB MAIN;LE32B450C4WXXC	1	S.A	
M0254	BN61-04799A	HOLDER-SIDE AV;B450/B530,HIPS,HB,BK500,1	1	S.N.A	
T0175	BN96-09463A	ASSY SPEAKER P;8ohm,4pin,10W,R:200 / L:4	1	S.A	
T0531	BN63-05326B	COVER-BOTTOM;LB450 32,HIPS,HB,BK500	1	S.A	
M0115	BN61-04820A	BRACKET-STAND LINK;B650-32,SECC,T1.2	1	S.N.A	
M0027	BN96-06464A	ASSY STAND P-BASE;32L450,,ABS+PMMA,HB,BK	1	S.A	



## 5-5. LE19B45\*\*\* Parts List

Level	Location No.	Code No.	Description & Specification	Q'ty	SA/SNA	Remark
		LE19B45C4WXXE	LE19B45C4W,N65B/19AC4-G4C,19,LCD-TV,SWE			
0.1	M0216	BN90-01509A	ASSY STAND;19L450,UO,,,	1	S.N.A	
..2	M0027	BN96-04794A	ASSY STAND P-BASE;19R81,,ABS+PMMA,HB,BK2	1	S.A	
...3	M0081	6003-001001	SCREW-TAPTITE;FH,+,B,M3,L8,ZPC(BLK),SWRC	4	S.N.A	
...3	M0081	6003-001003	SCREW-TAPTITE;BH,+,B,M4,L12,ZPC(BLK),SWR	1	S.N.A	
...3	M0081	6003-001003	SCREW-TAPTITE;BH,+,B,M4,L12,ZPC(BLK),SWR	3	S.N.A	
...3	M0081	6003-001003	SCREW-TAPTITE;BH,+,B,M4,L12,ZPC(BLK),SWR	1	S.N.A	
...3		BN61-03053A	BRACKET-STAND BOTTOM;19R8,SECC,T1.0	1	S.N.A	
...3	CCM1	BN63-02183A	COVER-SHEET;ROME,PE Vinyl,T0.05,100mm,20	0.1	S.N.A	
...3	CCM1	BN63-02183C	COVER-SHEET;Rhcm,PE Vinyl,T0.05,200mm,20	0.6	S.N.A	
...3	CCM1	BN63-02183C	COVER-SHEET;Rhcm,PE Vinyl,T0.05,200mm,20	0.2	S.N.A	
...3	CCM1	BN63-02183C	COVER-SHEET;Rhcm,PE Vinyl,T0.05,200mm,20	0.2	S.N.A	
...3	T0004	BN63-03218A	COVER-STAND BASE;19R81,ABS+PMMA,-,-,HB	1	S.N.A	
...3		BN63-03219A	COVER-STAND FRONT;19R81,ABS+PMMA,-,-,H	1	S.N.A	
...3		BN63-03220A	COVER-STAND REAR;19R81,ABS+PMMA,-,-,HB	1	S.N.A	
...3		BN64-00600A	KNOB-LOCKING;19R81,ABS+PMMA,-,-,HB,BK2	1	S.N.A	
...3	T0132	BN73-00077A	RUBBER FOOT;MATISSE,BUMPON,##13.5,T2.0,6	4	S.N.A	
...3	T0054	BN96-04798A	ASSY HINGE P;19R81,SECC,T2.0	1	S.N.A	
0.1	M0001	BN90-02020B	ASSY COVER FRONT;LB450 19,EO	1	S.N.A	
..2	T0175	BN96-06823E	ASSY SPEAKER P;16ohm,4pin,3W,R:400 / L:2	1	S.A	
..2	T0003	BN96-10014B	ASSY COVER P-FRONT;LB450 19,EO,ABS+PMMA,	1	S.A	
...3	M0081	6003-001188	SCREW-TAPTITE;BH,+,B,M4,L10,ZPC(WHT),S	1	S.N.A	
...3	M0081	6003-001188	SCREW-TAPTITE;BH,+,B,M4,L10,ZPC(WHT),S	2	S.N.A	
...3	M0279	AA63-01637A	FELT;50P9,FELT,0.5,10,80	1	S.N.A	
...3		BN61-03261B	BOSS-TAPE;Tulip,ACRYL,T1.1,W20mm,GRAY,TA	0.3	S.N.A	
...3		BN61-03751A	HOLDER-BOSS BOTTOM;19L450,UO,HIPS,V0,-,-	1	S.N.A	
...3		BN61-04692A	BOSS-PRIMER;#94,clear,35cps	0.001	S.N.A	
...3	BOSS	BN61-04692A	BOSS-PRIMER;#94,clear,35cps	0.001	S.N.A	
...3	CCM1	BN63-02183D	COVER-SHEET;Rhcm,PE Vinyl,T0.05,680mm,20	0.6	S.N.A	
...3	M0112	BN63-05233B	COVER-FRONT;LB450 19,EO,ABS+PMMA,HB,BK23	1	S.N.A	
...3	T0059	BN64-00379A	INDICATOR LED;ROME-II,23,PC,CLEAR	1	S.N.A	
...3	T0061	BN64-00453A	WINDOW-REMOCON;32R71,PC,VIOLET	1	S.N.A	
...3	T0022	BN64-00755A	KNOB-CONTROL;32L450,ABS,V0,BK07	1	S.N.A	
...3		BN64-00985A	DECORATION-BOTTOM;19,LB450,PC CLEAR,GRAY	1	S.N.A	
...3	M0145	BN96-07269A	ASSY BOARD P-FUNCTION;LN40A450C1D,CT5000	1	S.A	
...3	T0714	BN96-10362B	ASSY BOARD P-IR;LE46B530,1299-01201-02,F	1	S.A	
0.1	M0002	BN90-02027A	ASSY COVER REAR;LB450 19,EO	1	S.N.A	
..2	T0081	6002-001294	SCREW-TAPPING;BH,+,M4,L16,ZPC(BLK)	2	S.N.A	
..2	T0081	6002-001294	SCREW-TAPPING;BH,+,M4,L16,ZPC(BLK)	4	S.N.A	
..2	M0013	BN96-10018A	ASSY COVER P-REAR;LB450 19,EO,HIPS,HB,BK	1	S.A	
...3	M0113	BN61-01581A	BRACKET-VESA;BI17/19BS,SECC,T1.0	2	S.N.A	
...3	M0006	BN63-05357A	COVER-REAR;19,LB450,PS,HB,BK500	1	S.N.A	
...3	T0071	BN64-00984A	INLAY-TERMINAL;B450,650 19/22,EO,PS SHEE	1	S.N.A	
...3	T0064	BN65-00002A	CLAMPER CORE;BORDEAUX,LDPE,-,-,BLK,-	1	S.N.A	
...3	T0069	AA63-00099E	SPACER-FELT;L6,FELT,10,BLK,T0.5,20	4	S.N.A	

5. Exploded View & Part List

Level	Location No.	Code No.	Description & Specification	Q'ty	SA/SNA	Remark
...3	T0069	AA60-00091M	SPACER-FELT;-;FELT,35X10,-,-,BLK,T0.5,-,	4	S.N.A	
0.1		BN91-03828A	ASSY LCD-CPT;LE19B450C4WXXC	1	S.N.A	
..2	M0215	BN07-00623A	LCD-PANEL;CLAA185WA03	1	S.A	
0.1	M0017	BN91-03830A	ASSY CHASSIS;LE19B450C4WXXC	1	S.N.A	
..2	M0014	BN94-02690A	ASSY PCB MAIN;LE19B450C4WXXC	1	S.A	
...3		0202-001557	SOLDER-CREAM;LST57-A,D38-63,42SN/57BI/1A	11	S.N.A	
...3	T0245	0202-001608	SOLDER-WIRE FLUX;LFC7-107,D0.8,99.3Sn/0.	0.25	S.N.A	
...3	CN5001	3701-001480	CONNECTOR-DSUB;15P,3R,FEMALE,STAMPED PIN	1	S.A	
...3	CN906	3707-001081	CONNECTOR-OPTICAL;STRAIGHT,SPDIF	1	S.A	
...3	CN330	3711-004379	HEADER-BOARD TO CABLE;BOX,4P,1R,2mm,STRA	1	S.A	
...3	CN330	3711-004531	HEADER-BOARD TO CABLE;BOX,10P,1R,2mm,ANG	1	S.A	
...3	CN330	3711-004712	HEADER-BOARD TO CABLE;BOX,9P,1R,2mm,STRA	1	S.N.A	
...3	CN330	3711-006715	HEADER-BOARD TO CABLE;BOX,4P,1R,2.5mm,AN	1	S.N.A	
...3	JA3201_EU	3722-000498	JACK-SCART;21P,SN,BLK	1	S.A	
...3	JA330	3722-001061	JACK-PHONE;1P,3.6PI,AG,BLK,N	1	S.A	
...3	JA330	3722-001061	JACK-PHONE;1P,3.6PI,AG,BLK,N	1	S.A	
...3	CN6001	3722-002516	JACK-USB;4P/1C,AU30U,BLK,STRAIGHT,A TYPE	1	S.A	
...3	JA333	3722-002691	JACK-PIN;2P,Ni,WHT/RED,STRAIGHT	1	S.A	
...3	JA333	3722-002699	JACK-PIN;3P,Ni,YEL/WHT/RED,STRAIGHT	1	S.A	
...3	JA333	3722-002703	JACK-PIN;3P,Ni,GRN/BLU/RED,STRAIGHT	1	S.A	
...3	CIS3	BN40-00137A	TUNER;DNOQ403SH151A(S),DNOQ403SH151A(S),	1	S.A	
...3	HDCP	BN97-00688A	ASSY HDCP;BN46-00018A,PS-42V6S,D73A,GENE	1	S.N.A	
...4		BN46-00018A	KEY CODE-CERTIFICATE;(HDCP KEY)PPM42M5S,	1	S.N.A	
...3	T0174	BN97-03239A	ASSY SMD;LE19B450C4WXXC	1	S.N.A	
...4	D3244	0401-000133	DIODE-SWITCHING;RLS4148,75V,150mA,LL-34,	1	S.A	
...4	D9006	0401-000133	DIODE-SWITCHING;RLS4148,75V,150mA,LL-34,	1	S.A	
...4	D5002	0401-001056	DIODE-SWITCHING;MMBD4148SE,100V,200mA,SO	1	S.A	
...4	D5005	0401-001056	DIODE-SWITCHING;MMBD4148SE,100V,200mA,SO	1	S.A	
...4	D5010	0401-001056	DIODE-SWITCHING;MMBD4148SE,100V,200mA,SO	1	S.A	
...4	D6009	0401-001056	DIODE-SWITCHING;MMBD4148SE,100V,200mA,SO	1	S.A	
...4	D6011	0401-001056	DIODE-SWITCHING;MMBD4148SE,100V,200mA,SO	1	S.A	
...4	D7028	0401-001056	DIODE-SWITCHING;MMBD4148SE,100V,200mA,SO	1	S.A	
...4	D7030	0401-001056	DIODE-SWITCHING;MMBD4148SE,100V,200mA,SO	1	S.A	
...4	D7031	0401-001056	DIODE-SWITCHING;MMBD4148SE,100V,200mA,SO	1	S.A	
...4	D7032	0401-001056	DIODE-SWITCHING;MMBD4148SE,100V,200mA,SO	1	S.A	
...4	D6100	0401-001099	DIODE-SWITCHING;1N4148WS,75V,150mA,SOD-3	1	S.N.A	
...4	D9001	0401-001099	DIODE-SWITCHING;1N4148WS,75V,150mA,SOD-3	1	S.N.A	
...4	D9002	0401-001099	DIODE-SWITCHING;1N4148WS,75V,150mA,SOD-3	1	S.N.A	
...4	D9004	0401-001099	DIODE-SWITCHING;1N4148WS,75V,150mA,SOD-3	1	S.N.A	
...4	D9005	0401-001099	DIODE-SWITCHING;1N4148WS,75V,150mA,SOD-3	1	S.N.A	
...4	D9015	0401-001099	DIODE-SWITCHING;1N4148WS,75V,150mA,SOD-3	1	S.N.A	
...4	D9016	0401-001099	DIODE-SWITCHING;1N4148WS,75V,150mA,SOD-3	1	S.N.A	
...4	D0254	0402-000553	DIODE-SCHOTTKY;SS24/B240,40V,2000mA,DO-2	1	S.A	
...4	D0254	0402-000553	DIODE-SCHOTTKY;SS24/B240,40V,2000mA,DO-2	1	S.A	
...4	D10001	0403-000771	DIODE-ZENER;VLZ6V2B,5.96-6.27V,500mW,SOD	1	S.A	
...4	D4001	0403-000771	DIODE-ZENER;VLZ6V2B,5.96-6.27V,500mW,SOD	1	S.A	
...4	D5001	0403-000771	DIODE-ZENER;VLZ6V2B,5.96-6.27V,500mW,SOD	1	S.A	
...4	D5003	0403-000771	DIODE-ZENER;VLZ6V2B,5.96-6.27V,500mW,SOD	1	S.A	
...4	D5004	0403-000771	DIODE-ZENER;VLZ6V2B,5.96-6.27V,500mW,SOD	1	S.A	

## 5. Exploded View &amp; Part List

Level	Location No.	Code No.	Description & Specification	Q'ty	SA/SNA	Remark
...4	D5006	0403-000771	DIODE-ZENER;VLZ6V2B,5.96-6.27V,500mW,SOD	1	S.A	
...4	D5007	0403-000771	DIODE-ZENER;VLZ6V2B,5.96-6.27V,500mW,SOD	1	S.A	
...4	D5008	0403-000771	DIODE-ZENER;VLZ6V2B,5.96-6.27V,500mW,SOD	1	S.A	
...4	D5009	0403-000771	DIODE-ZENER;VLZ6V2B,5.96-6.27V,500mW,SOD	1	S.A	
...4	D5011	0403-000771	DIODE-ZENER;VLZ6V2B,5.96-6.27V,500mW,SOD	1	S.A	
...4	D5012	0403-000771	DIODE-ZENER;VLZ6V2B,5.96-6.27V,500mW,SOD	1	S.A	
...4	D5013	0403-000771	DIODE-ZENER;VLZ6V2B,5.96-6.27V,500mW,SOD	1	S.A	
...4	D5014	0403-000771	DIODE-ZENER;VLZ6V2B,5.96-6.27V,500mW,SOD	1	S.A	
...4	D5016	0403-000771	DIODE-ZENER;VLZ6V2B,5.96-6.27V,500mW,SOD	1	S.A	
...4	D5017	0403-000771	DIODE-ZENER;VLZ6V2B,5.96-6.27V,500mW,SOD	1	S.A	
...4	D5100_FA	0403-000771	DIODE-ZENER;VLZ6V2B,5.96-6.27V,500mW,SOD	1	S.A	
...4	D5101_FA	0403-000771	DIODE-ZENER;VLZ6V2B,5.96-6.27V,500mW,SOD	1	S.A	
...4	D6001	0403-000771	DIODE-ZENER;VLZ6V2B,5.96-6.27V,500mW,SOD	1	S.A	
...4	D6002	0403-000771	DIODE-ZENER;VLZ6V2B,5.96-6.27V,500mW,SOD	1	S.A	
...4	D6631	0403-000771	DIODE-ZENER;VLZ6V2B,5.96-6.27V,500mW,SOD	1	S.A	
...4	D7004	0403-000771	DIODE-ZENER;VLZ6V2B,5.96-6.27V,500mW,SOD	1	S.A	
...4	D7008	0403-000771	DIODE-ZENER;VLZ6V2B,5.96-6.27V,500mW,SOD	1	S.A	
...4	D7009	0403-000771	DIODE-ZENER;VLZ6V2B,5.96-6.27V,500mW,SOD	1	S.A	
...4	D7012	0403-000771	DIODE-ZENER;VLZ6V2B,5.96-6.27V,500mW,SOD	1	S.A	
...4	D7014	0403-000771	DIODE-ZENER;VLZ6V2B,5.96-6.27V,500mW,SOD	1	S.A	
...4	D7016	0403-000771	DIODE-ZENER;VLZ6V2B,5.96-6.27V,500mW,SOD	1	S.A	
...4	D7100_EU	0403-000771	DIODE-ZENER;VLZ6V2B,5.96-6.27V,500mW,SOD	1	S.A	
...4	D7101_EU	0403-000771	DIODE-ZENER;VLZ6V2B,5.96-6.27V,500mW,SOD	1	S.A	
...4	D7102_EU	0403-000771	DIODE-ZENER;VLZ6V2B,5.96-6.27V,500mW,SOD	1	S.A	
...4	D7103_EU	0403-000771	DIODE-ZENER;VLZ6V2B,5.96-6.27V,500mW,SOD	1	S.A	
...4	D7105	0403-000771	DIODE-ZENER;VLZ6V2B,5.96-6.27V,500mW,SOD	1	S.A	
...4	D7106	0403-000771	DIODE-ZENER;VLZ6V2B,5.96-6.27V,500mW,SOD	1	S.A	
...4	D7116	0403-000771	DIODE-ZENER;VLZ6V2B,5.96-6.27V,500mW,SOD	1	S.A	
...4	D7117_EU	0403-000771	DIODE-ZENER;VLZ6V2B,5.96-6.27V,500mW,SOD	1	S.A	
...4	D7118_EU	0403-000771	DIODE-ZENER;VLZ6V2B,5.96-6.27V,500mW,SOD	1	S.A	
...4	D7202	0403-000771	DIODE-ZENER;VLZ6V2B,5.96-6.27V,500mW,SOD	1	S.A	
...4	D9003	0403-000771	DIODE-ZENER;VLZ6V2B,5.96-6.27V,500mW,SOD	1	S.A	
...4	D0254	0404-001271	DIODE-SCHOTTKY;SSA34,40V,3000mA,SMA,TP	1	S.A	
...4	D6030	0406-001200	DIODE-TVS;RCLAMP0504F,6/-V,150W,SC-70	1	S.A	
...4	D6005	0406-001299	DIODE-TVS;CM1224-04MR,MSOP-10	1	S.A	
...4	D6007	0406-001299	DIODE-TVS;CM1224-04MR,MSOP-10	1	S.A	
...4	Q1004	0501-000445	TR-SMALL SIGNAL;KTC3875S-Y,NPN,150mW,SOT	1	S.A	
...4	Q1005	0501-000445	TR-SMALL SIGNAL;KTC3875S-Y,NPN,150mW,SOT	1	S.A	
...4	Q1010	0501-000445	TR-SMALL SIGNAL;KTC3875S-Y,NPN,150mW,SOT	1	S.A	
...4	Q1011	0501-000445	TR-SMALL SIGNAL;KTC3875S-Y,NPN,150mW,SOT	1	S.A	
...4	Q1012	0501-000445	TR-SMALL SIGNAL;KTC3875S-Y,NPN,150mW,SOT	1	S.A	
...4	Q1013	0501-000445	TR-SMALL SIGNAL;KTC3875S-Y,NPN,150mW,SOT	1	S.A	
...4	Q3002	0501-000445	TR-SMALL SIGNAL;KTC3875S-Y,NPN,150mW,SOT	1	S.A	
...4	Q3109	0501-000445	TR-SMALL SIGNAL;KTC3875S-Y,NPN,150mW,SOT	1	S.A	
...4	Q4002_PWM	0501-000445	TR-SMALL SIGNAL;KTC3875S-Y,NPN,150mW,SOT	1	S.A	
...4	Q6003	0501-000445	TR-SMALL SIGNAL;KTC3875S-Y,NPN,150mW,SOT	1	S.A	
...4	Q7003	0501-000445	TR-SMALL SIGNAL;KTC3875S-Y,NPN,150mW,SOT	1	S.A	
...4	Q7006	0501-000445	TR-SMALL SIGNAL;KTC3875S-Y,NPN,150mW,SOT	1	S.A	
...4	Q7008	0501-000445	TR-SMALL SIGNAL;KTC3875S-Y,NPN,150mW,SOT	1	S.A	
...4	Q9005	0501-000445	TR-SMALL SIGNAL;KTC3875S-Y,NPN,150mW,SOT	1	S.A	
...4	Q7005	0501-000669	TR-SMALL SIGNAL;KTA1505Y,PNP,150mW,SOT-2	1	S.A	

5. Exploded View & Part List

Level	Location No.	Code No.	Description & Specification	Q'ty	SA/SNA	Remark
...4	Q409	0505-000110	FET-SILICON;2N7002,N,60V,115mA,7.5ohm,0.	1	S.A	
...4	Q409	0505-000110	FET-SILICON;2N7002,N,60V,115mA,7.5ohm,0.	1	S.A	
...4	Q409	0505-001170	FET-SILICON;SI9933ADY-T1,P,-20V,3.4A,0.0	1	S.A	
...4	Q409	0505-001170	FET-SILICON;SI9933ADY-T1,P,-20V,3.4A,0.0	1	S.A	
...4	IC104	0801-002198	IC-CMOS LOGIC;74LVC14,INVERTER,SOP,14P,1	1	S.A	
...4	IC104	0801-002779	IC-CMOS LOGIC;74LVC1G125,BUS BUFFER,SOT-	1	S.N.A	
...4	IC8002_DE	1006-001266	IC-LINE TRANSCEIVER;SP3232EEY,TSSOP,16P,	1	S.A	
...4	IC112	1103-000129	IC-EEPROM;24C02,2Kbit,256x8Bit,SOP,8P,5x	1	S.A	
...4	IC112	1103-000129	IC-EEPROM;24C02,2Kbit,256x8Bit,SOP,8P,5x	1	S.A	
...4	IC112	1103-001441	IC-EEPROM;24C1024,1Mbit,128Kx8,SOP,8P,4.	1	S.A	
...4	IC8005	1105-001931	IC-DDR2 SDRAM;K4T51163Q,DDR2-800,512Mbit	1	S.N.A	
...4	IC8006	1105-001931	IC-DDR2 SDRAM;K4T51163Q,DDR2-800,512Mbit	1	S.N.A	
...4	IC115	1107-001777	IC-FLASH MEMORY;MX25L6405DMI-12G,64Mbit,	1	S.A	
...4	T0085	1201-002487	IC-AUDIO AMP;MAX9728A,QFN,12P,3x3mm,DUAL	1	S.A	
...4	T0124	1201-002797	IC-POWER AMP;NTP-3200,QFN,56P,8x8mm,DUAL	1	S.A	
...4	T0085	1201-002849	IC-AUDIO AMP;DRV603,TSSOP,14P,5x4.4mm,DU	1	S.A	
...4	T0087	1203-001815	IC-POSI.FIXED REG.;78M09,TO-252,3P,-,PLA	1	S.A	
...4	T0087	1203-002842	IC-POSI.FIXED REG.;AP1117D-33A,TO-252,3P	1	S.A	
...4	IC012	1203-002995	IC-POSI.ADJUST REG.;AP1117D-A,TO-252,3P,	1	S.A	
...4	IC012	1203-002995	IC-POSI.ADJUST REG.;AP1117D-A,TO-252,3P,	1	S.A	
...4	IC3002	1203-004363	IC-VOL. DETECTOR;RT9818C-29PV,SOT-23,3P,	1	S.A	
...4	IC9003	1203-004364	IC-VOL. DETECTOR;RT9818C-42PV,SOT-23,3P,	1	S.A	
...4	IC150	1203-005113	IC-SWITCH REG.;SPN030039Y,MSOP,10P,3x3mm	1	S.A	
...4	IC150	1203-005113	IC-SWITCH REG.;SPN030039Y,MSOP,10P,3x3mm	1	S.A	
...4	T0170	1203-005463	IC-SWITCH VOL. REG.;MIC2605YML,MLF,8P,2x	1	S.A	
...4	IC4010	1204-002999	IC-DECODER;SEMS12-LF,LFBGA,375P,21x21mm,	1	S.A	
...4	IC1002	1205-003479	IC-SWITCH;TPS2051BDBVR,SOT-23,5P,2.9x1.6	1	S.A	
...4	IC6500	1205-003479	IC-SWITCH;TPS2051BDBVR,SOT-23,5P,2.9x1.6	1	S.A	
...4	D3236	1405-001233	VARISTOR;30Vdc,5A,1.6x0.8x0.8mm,TP	1	S.A	
...4	D3237	1405-001233	VARISTOR;30Vdc,5A,1.6x0.8x0.8mm,TP	1	S.A	
...4	D3238	1405-001233	VARISTOR;30Vdc,5A,1.6x0.8x0.8mm,TP	1	S.A	
...4	D5015	1405-001233	VARISTOR;30Vdc,5A,1.6x0.8x0.8mm,TP	1	S.A	
...4	D5018	1405-001233	VARISTOR;30Vdc,5A,1.6x0.8x0.8mm,TP	1	S.A	
...4	D5019	1405-001233	VARISTOR;30Vdc,5A,1.6x0.8x0.8mm,TP	1	S.A	
...4	D5020	1405-001233	VARISTOR;30Vdc,5A,1.6x0.8x0.8mm,TP	1	S.A	
...4	D7003_EU	1405-001233	VARISTOR;30Vdc,5A,1.6x0.8x0.8mm,TP	1	S.A	
...4	D7007	1405-001233	VARISTOR;30Vdc,5A,1.6x0.8x0.8mm,TP	1	S.A	
...4	D7010_EU	1405-001233	VARISTOR;30Vdc,5A,1.6x0.8x0.8mm,TP	1	S.A	
...4	D7013	1405-001233	VARISTOR;30Vdc,5A,1.6x0.8x0.8mm,TP	1	S.A	
...4	D7022	1405-001233	VARISTOR;30Vdc,5A,1.6x0.8x0.8mm,TP	1	S.A	
...4	D7024	1405-001233	VARISTOR;30Vdc,5A,1.6x0.8x0.8mm,TP	1	S.A	
...4	D7025	1405-001233	VARISTOR;30Vdc,5A,1.6x0.8x0.8mm,TP	1	S.A	
...4	R1072	2007-000084	R-CHIP;4.7Kohm,5%,1/10W,TP,1608	1	S.A	
...4	R1073	2007-000084	R-CHIP;4.7Kohm,5%,1/10W,TP,1608	1	S.A	
...4	R1011	2007-000090	R-CHIP;10Kohm,5%,1/10W,TP,1608	1	S.A	
...4	R1012	2007-000090	R-CHIP;10Kohm,5%,1/10W,TP,1608	1	S.A	
...4	R1014	2007-000090	R-CHIP;10Kohm,5%,1/10W,TP,1608	1	S.A	
...4	R1055	2007-000090	R-CHIP;10Kohm,5%,1/10W,TP,1608	1	S.A	
...4	R1060	2007-000090	R-CHIP;10Kohm,5%,1/10W,TP,1608	1	S.A	
...4	R1063	2007-000090	R-CHIP;10Kohm,5%,1/10W,TP,1608	1	S.A	
...4	R1081	2007-000090	R-CHIP;10Kohm,5%,1/10W,TP,1608	1	S.A	

Level	Location No.	Code No.	Description & Specification	Q'ty	SA/SNA	Remark
...4	R1201	2007-000090	R-CHIP;10Kohm,5%,1/10W,TP,1608	1	S.A	
...4	R3500	2007-000090	R-CHIP;10Kohm,5%,1/10W,TP,1608	1	S.A	
...4	R3501	2007-000090	R-CHIP;10Kohm,5%,1/10W,TP,1608	1	S.A	
...4	R6800	2007-000090	R-CHIP;10Kohm,5%,1/10W,TP,1608	1	S.A	
...4	R1200	2007-000097	R-CHIP;47Kohm,5%,1/10W,TP,1608	1	S.A	
...4	R4592	2007-000121	R-CHIP;820ohm,5%,1/10W,TP,1608	1	S.N.A	
...4	R1302	2007-000122	R-CHIP;1.2Kohm,5%,1/10W,TP,1608	1	S.N.A	
...4	R1303	2007-000122	R-CHIP;1.2Kohm,5%,1/10W,TP,1608	1	S.N.A	
...4	R10003_EU	2007-000138	R-CHIP;100ohm,5%,1/16W,TP,1005	1	S.N.A	
...4	R10134_EU	2007-000138	R-CHIP;100ohm,5%,1/16W,TP,1005	1	S.N.A	
...4	R3010	2007-000138	R-CHIP;100ohm,5%,1/16W,TP,1005	1	S.N.A	
...4	R3018	2007-000138	R-CHIP;100ohm,5%,1/16W,TP,1005	1	S.N.A	
...4	R3021	2007-000138	R-CHIP;100ohm,5%,1/16W,TP,1005	1	S.N.A	
...4	R3046	2007-000138	R-CHIP;100ohm,5%,1/16W,TP,1005	1	S.N.A	
...4	R3210	2007-000138	R-CHIP;100ohm,5%,1/16W,TP,1005	1	S.N.A	
...4	R3292	2007-000138	R-CHIP;100ohm,5%,1/16W,TP,1005	1	S.N.A	
...4	R4036	2007-000138	R-CHIP;100ohm,5%,1/16W,TP,1005	1	S.N.A	
...4	R4050_EU	2007-000138	R-CHIP;100ohm,5%,1/16W,TP,1005	1	S.N.A	
...4	R4051_EU	2007-000138	R-CHIP;100ohm,5%,1/16W,TP,1005	1	S.N.A	
...4	R4096_PWM	2007-000138	R-CHIP;100ohm,5%,1/16W,TP,1005	1	S.N.A	
...4	R4301	2007-000138	R-CHIP;100ohm,5%,1/16W,TP,1005	1	S.N.A	
...4	R4302	2007-000138	R-CHIP;100ohm,5%,1/16W,TP,1005	1	S.N.A	
...4	R4640_NON_	2007-000138	R-CHIP;100ohm,5%,1/16W,TP,1005	1	S.N.A	
...4	R5003	2007-000138	R-CHIP;100ohm,5%,1/16W,TP,1005	1	S.N.A	
...4	R5005	2007-000138	R-CHIP;100ohm,5%,1/16W,TP,1005	1	S.N.A	
...4	R5006	2007-000138	R-CHIP;100ohm,5%,1/16W,TP,1005	1	S.N.A	
...4	R5022	2007-000138	R-CHIP;100ohm,5%,1/16W,TP,1005	1	S.N.A	
...4	R5023	2007-000138	R-CHIP;100ohm,5%,1/16W,TP,1005	1	S.N.A	
...4	R5042	2007-000138	R-CHIP;100ohm,5%,1/16W,TP,1005	1	S.N.A	
...4	R7022_EU	2007-000138	R-CHIP;100ohm,5%,1/16W,TP,1005	1	S.N.A	
...4	R7024_EU	2007-000138	R-CHIP;100ohm,5%,1/16W,TP,1005	1	S.N.A	
...4	R8036_DE	2007-000138	R-CHIP;100ohm,5%,1/16W,TP,1005	1	S.N.A	
...4	R8037_DE	2007-000138	R-CHIP;100ohm,5%,1/16W,TP,1005	1	S.N.A	
...4	R9177	2007-000138	R-CHIP;100ohm,5%,1/16W,TP,1005	1	S.N.A	
...4	R3110	2007-000140	R-CHIP;1Kohm,5%,1/16W,TP,1005	1	S.N.A	
...4	R3293	2007-000140	R-CHIP;1Kohm,5%,1/16W,TP,1005	1	S.N.A	
...4	R3294	2007-000140	R-CHIP;1Kohm,5%,1/16W,TP,1005	1	S.N.A	
...4	R6012	2007-000140	R-CHIP;1Kohm,5%,1/16W,TP,1005	1	S.N.A	
...4	R3100	2007-000141	R-CHIP;2.2Kohm,5%,1/16W,TP,1005	1	S.N.A	
...4	R4076	2007-000141	R-CHIP;2.2Kohm,5%,1/16W,TP,1005	1	S.N.A	
...4	R4082	2007-000141	R-CHIP;2.2Kohm,5%,1/16W,TP,1005	1	S.N.A	
...4	R5019	2007-000141	R-CHIP;2.2Kohm,5%,1/16W,TP,1005	1	S.N.A	
...4	R5020	2007-000141	R-CHIP;2.2Kohm,5%,1/16W,TP,1005	1	S.N.A	
...4	R1057	2007-000143	R-CHIP;4.7Kohm,5%,1/16W,TP,1005	1	S.N.A	
...4	R3052	2007-000143	R-CHIP;4.7Kohm,5%,1/16W,TP,1005	1	S.N.A	
...4	R3101	2007-000143	R-CHIP;4.7Kohm,5%,1/16W,TP,1005	1	S.N.A	
...4	R3102	2007-000143	R-CHIP;4.7Kohm,5%,1/16W,TP,1005	1	S.N.A	
...4	R3103	2007-000143	R-CHIP;4.7Kohm,5%,1/16W,TP,1005	1	S.N.A	
...4	R3108	2007-000143	R-CHIP;4.7Kohm,5%,1/16W,TP,1005	1	S.N.A	
...4	R4666_HD	2007-000143	R-CHIP;4.7Kohm,5%,1/16W,TP,1005	1	S.N.A	
...4	R4668_2DDR	2007-000143	R-CHIP;4.7Kohm,5%,1/16W,TP,1005	1	S.N.A	

5. Exploded View & Part List

Level	Location No.	Code No.	Description & Specification	Q'ty	SA/SNA	Remark
...4	R5090	2007-000143	R-CHIP;4.7Kohm,5%,1/16W,TP,1005	1	S.N.A	
...4	R6017	2007-000143	R-CHIP;4.7Kohm,5%,1/16W,TP,1005	1	S.N.A	
...4	R6064	2007-000143	R-CHIP;4.7Kohm,5%,1/16W,TP,1005	1	S.N.A	
...4	R7079	2007-000143	R-CHIP;4.7Kohm,5%,1/16W,TP,1005	1	S.N.A	
...4	R7086	2007-000143	R-CHIP;4.7Kohm,5%,1/16W,TP,1005	1	S.N.A	
...4	R9028	2007-000143	R-CHIP;4.7Kohm,5%,1/16W,TP,1005	1	S.N.A	
...4	R9030	2007-000143	R-CHIP;4.7Kohm,5%,1/16W,TP,1005	1	S.N.A	
...4	R9031	2007-000143	R-CHIP;4.7Kohm,5%,1/16W,TP,1005	1	S.N.A	
...4	R9032	2007-000143	R-CHIP;4.7Kohm,5%,1/16W,TP,1005	1	S.N.A	
...4	R9033	2007-000143	R-CHIP;4.7Kohm,5%,1/16W,TP,1005	1	S.N.A	
...4	R7019	2007-000146	R-CHIP;6.8Kohm,5%,1/16W,TP,1005	1	S.N.A	
...4	R10007_EU	2007-000148	R-CHIP;10Kohm,5%,1/16W,TP,1005	1	S.N.A	
...4	R10008_EU	2007-000148	R-CHIP;10Kohm,5%,1/16W,TP,1005	1	S.N.A	
...4	R10031_EU	2007-000148	R-CHIP;10Kohm,5%,1/16W,TP,1005	1	S.N.A	
...4	R10032_EU	2007-000148	R-CHIP;10Kohm,5%,1/16W,TP,1005	1	S.N.A	
...4	R10101_EU	2007-000148	R-CHIP;10Kohm,5%,1/16W,TP,1005	1	S.N.A	
...4	R10121_EU	2007-000148	R-CHIP;10Kohm,5%,1/16W,TP,1005	1	S.N.A	
...4	R10122_EU	2007-000148	R-CHIP;10Kohm,5%,1/16W,TP,1005	1	S.N.A	
...4	R10135_EU	2007-000148	R-CHIP;10Kohm,5%,1/16W,TP,1005	1	S.N.A	
...4	R10136	2007-000148	R-CHIP;10Kohm,5%,1/16W,TP,1005	1	S.N.A	
...4	R10200	2007-000148	R-CHIP;10Kohm,5%,1/16W,TP,1005	1	S.N.A	
...4	R11089	2007-000148	R-CHIP;10Kohm,5%,1/16W,TP,1005	1	S.N.A	
...4	R3014	2007-000148	R-CHIP;10Kohm,5%,1/16W,TP,1005	1	S.N.A	
...4	R3015	2007-000148	R-CHIP;10Kohm,5%,1/16W,TP,1005	1	S.N.A	
...4	R3051	2007-000148	R-CHIP;10Kohm,5%,1/16W,TP,1005	1	S.N.A	
...4	R3059	2007-000148	R-CHIP;10Kohm,5%,1/16W,TP,1005	1	S.N.A	
...4	R3060	2007-000148	R-CHIP;10Kohm,5%,1/16W,TP,1005	1	S.N.A	
...4	R3066	2007-000148	R-CHIP;10Kohm,5%,1/16W,TP,1005	1	S.N.A	
...4	R3160	2007-000148	R-CHIP;10Kohm,5%,1/16W,TP,1005	1	S.N.A	
...4	R3410	2007-000148	R-CHIP;10Kohm,5%,1/16W,TP,1005	1	S.N.A	
...4	R4079_PWM	2007-000148	R-CHIP;10Kohm,5%,1/16W,TP,1005	1	S.N.A	
...4	R4081	2007-000148	R-CHIP;10Kohm,5%,1/16W,TP,1005	1	S.N.A	
...4	R4130	2007-000148	R-CHIP;10Kohm,5%,1/16W,TP,1005	1	S.N.A	
...4	R4140	2007-000148	R-CHIP;10Kohm,5%,1/16W,TP,1005	1	S.N.A	
...4	R4201_PWM	2007-000148	R-CHIP;10Kohm,5%,1/16W,TP,1005	1	S.N.A	
...4	R4475	2007-000148	R-CHIP;10Kohm,5%,1/16W,TP,1005	1	S.N.A	
...4	R4484	2007-000148	R-CHIP;10Kohm,5%,1/16W,TP,1005	1	S.N.A	
...4	R4489	2007-000148	R-CHIP;10Kohm,5%,1/16W,TP,1005	1	S.N.A	
...4	R4490	2007-000148	R-CHIP;10Kohm,5%,1/16W,TP,1005	1	S.N.A	
...4	R4491	2007-000148	R-CHIP;10Kohm,5%,1/16W,TP,1005	1	S.N.A	
...4	R4541	2007-000148	R-CHIP;10Kohm,5%,1/16W,TP,1005	1	S.N.A	
...4	R4544	2007-000148	R-CHIP;10Kohm,5%,1/16W,TP,1005	1	S.N.A	
...4	R4626	2007-000148	R-CHIP;10Kohm,5%,1/16W,TP,1005	1	S.N.A	
...4	R4627	2007-000148	R-CHIP;10Kohm,5%,1/16W,TP,1005	1	S.N.A	
...4	R5013	2007-000148	R-CHIP;10Kohm,5%,1/16W,TP,1005	1	S.N.A	
...4	R5014	2007-000148	R-CHIP;10Kohm,5%,1/16W,TP,1005	1	S.N.A	
...4	R5017	2007-000148	R-CHIP;10Kohm,5%,1/16W,TP,1005	1	S.N.A	
...4	R5018	2007-000148	R-CHIP;10Kohm,5%,1/16W,TP,1005	1	S.N.A	
...4	R5024	2007-000148	R-CHIP;10Kohm,5%,1/16W,TP,1005	1	S.N.A	
...4	R5025	2007-000148	R-CHIP;10Kohm,5%,1/16W,TP,1005	1	S.N.A	
...4	R5068	2007-000148	R-CHIP;10Kohm,5%,1/16W,TP,1005	1	S.N.A	

## 5. Exploded View &amp; Part List

Level	Location No.	Code No.	Description & Specification	Q'ty	SA/SNA	Remark
...4	R6026	2007-000148	R-CHIP;10Kohm,5%,1/16W,TP,1005	1	S.N.A	
...4	R6028	2007-000148	R-CHIP;10Kohm,5%,1/16W,TP,1005	1	S.N.A	
...4	R6029	2007-000148	R-CHIP;10Kohm,5%,1/16W,TP,1005	1	S.N.A	
...4	R6065	2007-000148	R-CHIP;10Kohm,5%,1/16W,TP,1005	1	S.N.A	
...4	R7023	2007-000148	R-CHIP;10Kohm,5%,1/16W,TP,1005	1	S.N.A	
...4	R7025	2007-000148	R-CHIP;10Kohm,5%,1/16W,TP,1005	1	S.N.A	
...4	R7039	2007-000148	R-CHIP;10Kohm,5%,1/16W,TP,1005	1	S.N.A	
...4	R7063	2007-000148	R-CHIP;10Kohm,5%,1/16W,TP,1005	1	S.N.A	
...4	R7064	2007-000148	R-CHIP;10Kohm,5%,1/16W,TP,1005	1	S.N.A	
...4	R9019	2007-000148	R-CHIP;10Kohm,5%,1/16W,TP,1005	1	S.N.A	
...4	R9025	2007-000148	R-CHIP;10Kohm,5%,1/16W,TP,1005	1	S.N.A	
...4	R9216_EU	2007-000148	R-CHIP;10Kohm,5%,1/16W,TP,1005	1	S.N.A	
...4	R9217_EU	2007-000148	R-CHIP;10Kohm,5%,1/16W,TP,1005	1	S.N.A	
...4	R9001	2007-000149	R-CHIP;12Kohm,5%,1/16W,TP,1005	1	S.A	
...4	R9002	2007-000149	R-CHIP;12Kohm,5%,1/16W,TP,1005	1	S.A	
...4	R1051	2007-000153	R-CHIP;22Kohm,5%,1/16W,TP,1005	1	S.N.A	
...4	R1052	2007-000153	R-CHIP;22Kohm,5%,1/16W,TP,1005	1	S.N.A	
...4	R1056	2007-000153	R-CHIP;22Kohm,5%,1/16W,TP,1005	1	S.N.A	
...4	R1061	2007-000153	R-CHIP;22Kohm,5%,1/16W,TP,1005	1	S.N.A	
...4	R4202_PWM	2007-000153	R-CHIP;22Kohm,5%,1/16W,TP,1005	1	S.N.A	
...4	R4477_EU	2007-000153	R-CHIP;22Kohm,5%,1/16W,TP,1005	1	S.N.A	
...4	R4555	2007-000153	R-CHIP;22Kohm,5%,1/16W,TP,1005	1	S.N.A	
...4	R4556	2007-000153	R-CHIP;22Kohm,5%,1/16W,TP,1005	1	S.N.A	
...4	R4568_EU	2007-000153	R-CHIP;22Kohm,5%,1/16W,TP,1005	1	S.N.A	
...4	R7057	2007-000153	R-CHIP;22Kohm,5%,1/16W,TP,1005	1	S.N.A	
...4	R1010	2007-000157	R-CHIP;47Kohm,5%,1/16W,TP,1005	1	S.N.A	
...4	R1064	2007-000157	R-CHIP;47Kohm,5%,1/16W,TP,1005	1	S.N.A	
...4	R7007_EU	2007-000157	R-CHIP;47Kohm,5%,1/16W,TP,1005	1	S.N.A	
...4	R7009_EU	2007-000157	R-CHIP;47Kohm,5%,1/16W,TP,1005	1	S.N.A	
...4	R4045	2007-000170	R-CHIP;1Mohm,5%,1/16W,TP,1005	1	S.N.A	
...4	R1074_19	2007-000171	R-CHIP;0ohm,5%,1/16W,TP,1005	1	S.N.A	
...4	R11118_JEI	2007-000171	R-CHIP;0ohm,5%,1/16W,TP,1005	1	S.N.A	
...4	R11126	2007-000171	R-CHIP;0ohm,5%,1/16W,TP,1005	1	S.N.A	
...4	R11127	2007-000171	R-CHIP;0ohm,5%,1/16W,TP,1005	1	S.N.A	
...4	R1300_PWM	2007-000171	R-CHIP;0ohm,5%,1/16W,TP,1005	1	S.N.A	
...4	R4700	2007-000171	R-CHIP;0ohm,5%,1/16W,TP,1005	1	S.N.A	
...4	R4701	2007-000171	R-CHIP;0ohm,5%,1/16W,TP,1005	1	S.N.A	
...4	R4702	2007-000171	R-CHIP;0ohm,5%,1/16W,TP,1005	1	S.N.A	
...4	R4703	2007-000171	R-CHIP;0ohm,5%,1/16W,TP,1005	1	S.N.A	
...4	R5910_FA	2007-000171	R-CHIP;0ohm,5%,1/16W,TP,1005	1	S.N.A	
...4	R5911_FA	2007-000171	R-CHIP;0ohm,5%,1/16W,TP,1005	1	S.N.A	
...4	R7110_450	2007-000171	R-CHIP;0ohm,5%,1/16W,TP,1005	1	S.N.A	
...4	R6016	2007-000172	R-CHIP;10ohm,5%,1/16W,TP,1005	1	S.N.A	
...4	R8306	2007-000173	R-CHIP;22ohm,5%,1/16W,TP,1005	1	S.N.A	
...4	R8307	2007-000173	R-CHIP;22ohm,5%,1/16W,TP,1005	1	S.N.A	
...4	R8323	2007-000173	R-CHIP;22ohm,5%,1/16W,TP,1005	1	S.N.A	
...4	R8325	2007-000173	R-CHIP;22ohm,5%,1/16W,TP,1005	1	S.N.A	
...4	R8326	2007-000173	R-CHIP;22ohm,5%,1/16W,TP,1005	1	S.N.A	
...4	R8333	2007-000173	R-CHIP;22ohm,5%,1/16W,TP,1005	1	S.N.A	
...4	R8335	2007-000173	R-CHIP;22ohm,5%,1/16W,TP,1005	1	S.N.A	
...4	R8336	2007-000173	R-CHIP;22ohm,5%,1/16W,TP,1005	1	S.N.A	

5. Exploded View & Part List

Level	Location No.	Code No.	Description & Specification	Q'ty	SA/SNA	Remark
...4	R8349	2007-000173	R-CHIP;22ohm,5%,1/16W,TP,1005	1	S.N.A	
...4	R8355	2007-000173	R-CHIP;22ohm,5%,1/16W,TP,1005	1	S.N.A	
...4	R8357	2007-000173	R-CHIP;22ohm,5%,1/16W,TP,1005	1	S.N.A	
...4	R8358	2007-000173	R-CHIP;22ohm,5%,1/16W,TP,1005	1	S.N.A	
...4	R8404	2007-000173	R-CHIP;22ohm,5%,1/16W,TP,1005	1	S.N.A	
...4	R8430	2007-000173	R-CHIP;22ohm,5%,1/16W,TP,1005	1	S.N.A	
...4	R8438	2007-000173	R-CHIP;22ohm,5%,1/16W,TP,1005	1	S.N.A	
...4	R8496	2007-000173	R-CHIP;22ohm,5%,1/16W,TP,1005	1	S.N.A	
...4	R8638	2007-000173	R-CHIP;22ohm,5%,1/16W,TP,1005	1	S.N.A	
...4	R3290	2007-000174	R-CHIP;47ohm,5%,1/16W,TP,1005	1	S.N.A	
...4	R3291	2007-000174	R-CHIP;47ohm,5%,1/16W,TP,1005	1	S.N.A	
...4	R3402	2007-000174	R-CHIP;47ohm,5%,1/16W,TP,1005	1	S.N.A	
...4	R3403	2007-000174	R-CHIP;47ohm,5%,1/16W,TP,1005	1	S.N.A	
...4	R4005	2007-000174	R-CHIP;47ohm,5%,1/16W,TP,1005	1	S.N.A	
...4	R4006	2007-000174	R-CHIP;47ohm,5%,1/16W,TP,1005	1	S.N.A	
...4	R4017	2007-000174	R-CHIP;47ohm,5%,1/16W,TP,1005	1	S.N.A	
...4	R4021	2007-000174	R-CHIP;47ohm,5%,1/16W,TP,1005	1	S.N.A	
...4	R4022	2007-000174	R-CHIP;47ohm,5%,1/16W,TP,1005	1	S.N.A	
...4	R4590	2007-000174	R-CHIP;47ohm,5%,1/16W,TP,1005	1	S.N.A	
...4	R4591	2007-000174	R-CHIP;47ohm,5%,1/16W,TP,1005	1	S.N.A	
...4	R5015	2007-000174	R-CHIP;47ohm,5%,1/16W,TP,1005	1	S.N.A	
...4	R5016	2007-000174	R-CHIP;47ohm,5%,1/16W,TP,1005	1	S.N.A	
...4	R5028	2007-000174	R-CHIP;47ohm,5%,1/16W,TP,1005	1	S.N.A	
...4	R5029	2007-000174	R-CHIP;47ohm,5%,1/16W,TP,1005	1	S.N.A	
...4	R5031	2007-000174	R-CHIP;47ohm,5%,1/16W,TP,1005	1	S.N.A	
...4	R5055	2007-000174	R-CHIP;47ohm,5%,1/16W,TP,1005	1	S.N.A	
...4	R5056	2007-000174	R-CHIP;47ohm,5%,1/16W,TP,1005	1	S.N.A	
...4	R6034	2007-000174	R-CHIP;47ohm,5%,1/16W,TP,1005	1	S.N.A	
...4	R6035	2007-000174	R-CHIP;47ohm,5%,1/16W,TP,1005	1	S.N.A	
...4	R7034	2007-000174	R-CHIP;47ohm,5%,1/16W,TP,1005	1	S.N.A	
...4	R7035	2007-000174	R-CHIP;47ohm,5%,1/16W,TP,1005	1	S.N.A	
...4	R7036	2007-000174	R-CHIP;47ohm,5%,1/16W,TP,1005	1	S.N.A	
...4	R5064	2007-000640	R-CHIP;270ohm,1%,1/10W,TP,1608	1	S.A	
...4	R5067	2007-000640	R-CHIP;270ohm,1%,1/10W,TP,1608	1	S.A	
...4	R1083	2007-000695	R-CHIP;3.3ohm,5%,1/10W,TP,1608	1	S.A	
...4	R1203	2007-000695	R-CHIP;3.3ohm,5%,1/10W,TP,1608	1	S.A	
...4	R9020	2007-000695	R-CHIP;3.3ohm,5%,1/10W,TP,1608	1	S.A	
...4	R9021	2007-000695	R-CHIP;3.3ohm,5%,1/10W,TP,1608	1	S.A	
...4	R9022	2007-000695	R-CHIP;3.3ohm,5%,1/10W,TP,1608	1	S.A	
...4	R9023	2007-000695	R-CHIP;3.3ohm,5%,1/10W,TP,1608	1	S.A	
...4	R5571	2007-000763	R-CHIP;330ohm,1%,1/10W,TP,1608	1	S.N.A	
...4	R4587	2007-000821	R-CHIP;390ohm,1%,1/10W,TP,1608	1	S.N.A	
...4	R1013	2007-000869	R-CHIP;4.7Kohm,1%,1/10W,TP,1608	1	S.N.A	
...4	R5087	2007-000932	R-CHIP;470ohm,5%,1/16W,TP,1005	1	S.N.A	
...4	R7043	2007-000932	R-CHIP;470ohm,5%,1/16W,TP,1005	1	S.N.A	
...4	R7077	2007-000932	R-CHIP;470ohm,5%,1/16W,TP,1005	1	S.N.A	
...4	R9080	2007-000932	R-CHIP;470ohm,5%,1/16W,TP,1005	1	S.N.A	
...4	R9931_EU	2007-000932	R-CHIP;470ohm,5%,1/16W,TP,1005	1	S.N.A	
...4	R9932_EU	2007-000932	R-CHIP;470ohm,5%,1/16W,TP,1005	1	S.N.A	
...4	R7054	2007-001217	R-CHIP;82ohm,5%,1/16W,TP,1005	1	S.N.A	
...4	R6055	2007-001285	R-CHIP;5.6ohm,5%,1/16W,TP,1005	1	S.A	



## 5. Exploded View &amp; Part List

Level	Location No.	Code No.	Description & Specification	Q'ty	SA/SNA	Remark
...4	R6056	2007-001285	R-CHIP;5.6ohm,5%,1/16W,TP,1005	1	S.A	
...4	R4132	2007-001292	R-CHIP;33ohm,5%,1/16W,TP,1005	1	S.N.A	
...4	R4133	2007-001292	R-CHIP;33ohm,5%,1/16W,TP,1005	1	S.N.A	
...4	R4134	2007-001292	R-CHIP;33ohm,5%,1/16W,TP,1005	1	S.N.A	
...4	R4142	2007-001292	R-CHIP;33ohm,5%,1/16W,TP,1005	1	S.N.A	
...4	R4143	2007-001292	R-CHIP;33ohm,5%,1/16W,TP,1005	1	S.N.A	
...4	R4144	2007-001292	R-CHIP;33ohm,5%,1/16W,TP,1005	1	S.N.A	
...4	R4401	2007-001292	R-CHIP;33ohm,5%,1/16W,TP,1005	1	S.N.A	
...4	R4402	2007-001292	R-CHIP;33ohm,5%,1/16W,TP,1005	1	S.N.A	
...4	R4403	2007-001292	R-CHIP;33ohm,5%,1/16W,TP,1005	1	S.N.A	
...4	R4404	2007-001292	R-CHIP;33ohm,5%,1/16W,TP,1005	1	S.N.A	
...4	R4405	2007-001292	R-CHIP;33ohm,5%,1/16W,TP,1005	1	S.N.A	
...4	R4406	2007-001292	R-CHIP;33ohm,5%,1/16W,TP,1005	1	S.N.A	
...4	R4407	2007-001292	R-CHIP;33ohm,5%,1/16W,TP,1005	1	S.N.A	
...4	R4408	2007-001292	R-CHIP;33ohm,5%,1/16W,TP,1005	1	S.N.A	
...4	R4409	2007-001292	R-CHIP;33ohm,5%,1/16W,TP,1005	1	S.N.A	
...4	R4410	2007-001292	R-CHIP;33ohm,5%,1/16W,TP,1005	1	S.N.A	
...4	R4411	2007-001292	R-CHIP;33ohm,5%,1/16W,TP,1005	1	S.N.A	
...4	R4412	2007-001292	R-CHIP;33ohm,5%,1/16W,TP,1005	1	S.N.A	
...4	R7055	2007-001298	R-CHIP;51ohm,5%,1/16W,TP,1005	1	S.N.A	
...4	R8017	2007-001306	R-CHIP;150ohm,5%,1/16W,TP,1005	1	S.A	
...4	R8117	2007-001306	R-CHIP;150ohm,5%,1/16W,TP,1005	1	S.A	
...4	R7052	2007-001307	R-CHIP;180ohm,5%,1/16W,TP,1005	1	S.N.A	
...4	R4093_PWM	2007-001325	R-CHIP;3.3Kohm,5%,1/16W,TP,1005	1	S.N.A	
...4	R9079	2007-001325	R-CHIP;3.3Kohm,5%,1/16W,TP,1005	1	S.N.A	
...4	R5021	2007-001333	R-CHIP;18Kohm,5%,1/16W,TP,1005	1	S.N.A	
...4	R5026	2007-001333	R-CHIP;18Kohm,5%,1/16W,TP,1005	1	S.N.A	
...4	R5027	2007-001333	R-CHIP;18Kohm,5%,1/16W,TP,1005	1	S.N.A	
...4	R5034	2007-001333	R-CHIP;18Kohm,5%,1/16W,TP,1005	1	S.N.A	
...4	R7011_EU	2007-001333	R-CHIP;18Kohm,5%,1/16W,TP,1005	1	S.N.A	
...4	R7030	2007-001333	R-CHIP;18Kohm,5%,1/16W,TP,1005	1	S.N.A	
...4	R7032	2007-001333	R-CHIP;18Kohm,5%,1/16W,TP,1005	1	S.N.A	
...4	R7067	2007-001333	R-CHIP;18Kohm,5%,1/16W,TP,1005	1	S.N.A	
...4	R7068	2007-001333	R-CHIP;18Kohm,5%,1/16W,TP,1005	1	S.N.A	
...4	R1022	2007-002425	R-CHIP;1ohm,5%,1/10W,TP,1608	1	S.N.A	
...4	R1015	2007-002899	R-CHIP;10ohm,1%,1/10W,TP,1608	1	S.A	
...4	R1202	2007-002899	R-CHIP;10ohm,1%,1/10W,TP,1608	1	S.A	
...4	R1082	2007-002900	R-CHIP;11Kohm,1%,1/10W,TP,1608	1	S.A	
...4	R5043	2007-002906	R-CHIP;200Kohm,1%,1/10W,TP,1608	1	S.A	
...4	R6001	2007-002906	R-CHIP;200Kohm,1%,1/10W,TP,1608	1	S.A	
...4	R10011_EU	2007-007009	R-CHIP;75ohm,5%,1/16W,TP,1005	1	S.N.A	
...4	R10012_EU	2007-007009	R-CHIP;75ohm,5%,1/16W,TP,1005	1	S.N.A	
...4	R10013_EU	2007-007009	R-CHIP;75ohm,5%,1/16W,TP,1005	1	S.N.A	
...4	R10123_EU	2007-007009	R-CHIP;75ohm,5%,1/16W,TP,1005	1	S.N.A	
...4	R10124_EU	2007-007009	R-CHIP;75ohm,5%,1/16W,TP,1005	1	S.N.A	
...4	R10125_EU	2007-007009	R-CHIP;75ohm,5%,1/16W,TP,1005	1	S.N.A	
...4	R5004	2007-007009	R-CHIP;75ohm,5%,1/16W,TP,1005	1	S.N.A	
...4	R5008	2007-007009	R-CHIP;75ohm,5%,1/16W,TP,1005	1	S.N.A	
...4	R5009	2007-007009	R-CHIP;75ohm,5%,1/16W,TP,1005	1	S.N.A	
...4	R5010	2007-007009	R-CHIP;75ohm,5%,1/16W,TP,1005	1	S.N.A	
...4	R5011	2007-007009	R-CHIP;75ohm,5%,1/16W,TP,1005	1	S.N.A	

5. Exploded View & Part List

Level	Location No.	Code No.	Description & Specification	Q'ty	SA/SNA	Remark
...4	R5012	2007-007009	R-CHIP;75ohm,5%,1/16W,TP,1005	1	S.N.A	
...4	R5044	2007-007009	R-CHIP;75ohm,5%,1/16W,TP,1005	1	S.N.A	
...4	R7001_EU	2007-007009	R-CHIP;75ohm,5%,1/16W,TP,1005	1	S.N.A	
...4	R7010	2007-007009	R-CHIP;75ohm,5%,1/16W,TP,1005	1	S.N.A	
...4	R7012_EU	2007-007009	R-CHIP;75ohm,5%,1/16W,TP,1005	1	S.N.A	
...4	R7014	2007-007009	R-CHIP;75ohm,5%,1/16W,TP,1005	1	S.N.A	
...4	R7015	2007-007009	R-CHIP;75ohm,5%,1/16W,TP,1005	1	S.N.A	
...4	R7020_EU	2007-007009	R-CHIP;75ohm,5%,1/16W,TP,1005	1	S.N.A	
...4	R7056	2007-007009	R-CHIP;75ohm,5%,1/16W,TP,1005	1	S.N.A	
...4	R4594	2007-007107	R-CHIP;100Kohm,1%,1/16W,TP,1005	1	S.N.A	
...4	R5046	2007-007107	R-CHIP;100Kohm,1%,1/16W,TP,1005	1	S.N.A	
...4	R9016	2007-007107	R-CHIP;100Kohm,1%,1/16W,TP,1005	1	S.N.A	
...4	R9017	2007-007107	R-CHIP;100Kohm,1%,1/16W,TP,1005	1	S.N.A	
...4	R9930_EU	2007-007107	R-CHIP;100Kohm,1%,1/16W,TP,1005	1	S.N.A	
...4	R9933_EU	2007-007107	R-CHIP;100Kohm,1%,1/16W,TP,1005	1	S.N.A	
...4	R1204	2007-007142	R-CHIP;10Kohm,1%,1/16W,TP,1005	1	S.N.A	
...4	R2016	2007-007142	R-CHIP;10Kohm,1%,1/16W,TP,1005	1	S.N.A	
...4	R4095	2007-007142	R-CHIP;10Kohm,1%,1/16W,TP,1005	1	S.N.A	
...4	R4352	2007-007142	R-CHIP;10Kohm,1%,1/16W,TP,1005	1	S.N.A	
...4	R2037	2007-007156	R-CHIP;1ohm,5%,1/16W,TP,1005	1	S.N.A	
...4	R5899	2007-007156	R-CHIP;1ohm,5%,1/16W,TP,1005	1	S.N.A	
...4	R5570	2007-007297	R-CHIP;110ohm,1%,1/10W,TP,1608	1	S.A	
...4	R4316	2007-007318	R-CHIP;1Kohm,1%,1/16W,TP,1005	1	S.N.A	
...4	R5900	2007-007318	R-CHIP;1Kohm,1%,1/16W,TP,1005	1	S.N.A	
...4	R8329	2007-007318	R-CHIP;1Kohm,1%,1/16W,TP,1005	1	S.N.A	
...4	R8330	2007-007318	R-CHIP;1Kohm,1%,1/16W,TP,1005	1	S.N.A	
...4	R8363	2007-007318	R-CHIP;1Kohm,1%,1/16W,TP,1005	1	S.N.A	
...4	R8364	2007-007318	R-CHIP;1Kohm,1%,1/16W,TP,1005	1	S.N.A	
...4	R9190	2007-007318	R-CHIP;1Kohm,1%,1/16W,TP,1005	1	S.N.A	
...4	R2022	2007-007319	R-CHIP;390ohm,1%,1/16W,TP,1005	1	S.N.A	
...4	R2027	2007-007650	R-CHIP;274ohm,1%,1/10W,TP,1608	1	S.A	
...4	R2026	2007-007721	R-CHIP;560ohm,1%,1/10W,TP,1608	1	S.A	
...4	R4094	2007-007791	R-CHIP;9.1Kohm,1%,1/16W,TP,1005	1	S.N.A	
...4	R4351	2007-007791	R-CHIP;9.1Kohm,1%,1/16W,TP,1005	1	S.N.A	
...4	RA3007	2011-000515	R-NETWORK;4.7Kohm,5%,1/16W,L,CHIP,8P,TP,	1	S.N.A	
...4	RA4004	2011-000651	R-NETWORK;10ohm,5%,1/16W,L,CHIP,8P,TP,32	1	S.N.A	
...4	RA4005	2011-000651	R-NETWORK;10ohm,5%,1/16W,L,CHIP,8P,TP,32	1	S.N.A	
...4	RA1100	2011-001001	R-NETWORK;0ohm,5%,1/16W,L,CHIP,8P,TP,3.2	1	S.A	
...4	RA1101	2011-001001	R-NETWORK;0ohm,5%,1/16W,L,CHIP,8P,TP,3.2	1	S.A	
...4	RA3001	2011-001011	R-NETWORK;10Kohm,5%,1/16W,L,CHIP,8P,TP,3	1	S.A	
...4	RA4102	2011-001011	R-NETWORK;10Kohm,5%,1/16W,L,CHIP,8P,TP,3	1	S.A	
...4	R10004_EU	2011-001087	R-NETWORK;75ohm,5%,1/16W,L,CHIP,8P,TP,3.	1	S.A	
...4	R10010_EU	2011-001087	R-NETWORK;75ohm,5%,1/16W,L,CHIP,8P,TP,3.	1	S.A	
...4	R10126_EU	2011-001087	R-NETWORK;75ohm,5%,1/16W,L,CHIP,8P,TP,3.	1	S.A	
...4	R10127_EU	2011-001087	R-NETWORK;75ohm,5%,1/16W,L,CHIP,8P,TP,3.	1	S.A	
...4	R3024	2011-001093	R-NETWORK;100ohm,5%,1/16W,L,CHIP,8P,TP,3	1	S.A	
...4	R3025	2011-001093	R-NETWORK;100ohm,5%,1/16W,L,CHIP,8P,TP,3	1	S.A	
...4	RA3002	2011-001093	R-NETWORK;100ohm,5%,1/16W,L,CHIP,8P,TP,3	1	S.A	
...4	RA3003	2011-001093	R-NETWORK;100ohm,5%,1/16W,L,CHIP,8P,TP,3	1	S.A	
...4	RA3004	2011-001093	R-NETWORK;100ohm,5%,1/16W,L,CHIP,8P,TP,3	1	S.A	
...4	RA3005	2011-001093	R-NETWORK;100ohm,5%,1/16W,L,CHIP,8P,TP,3	1	S.A	

## 5. Exploded View &amp; Part List

Level	Location No.	Code No.	Description & Specification	Q'ty	SA/SNA	Remark
...4	RA3006	2011-001093	R-NETWORK;100ohm,5%,1/16W,L,CHIP,8P,TP,3	1	S.A	
...4	RA4101	2011-001093	R-NETWORK;100ohm,5%,1/16W,L,CHIP,8P,TP,3	1	S.A	
...4	RA4014	2011-001261	R-NETWORK;33ohm,5%,1/16W,L,CHIP,8P,TP,2.	1	S.A	
...4	R8321	2011-001262	R-NETWORK;22ohm,5%,1/16W,L,CHIP,8P,TP,2.	1	S.A	
...4	R8322	2011-001262	R-NETWORK;22ohm,5%,1/16W,L,CHIP,8P,TP,2.	1	S.A	
...4	R8324	2011-001262	R-NETWORK;22ohm,5%,1/16W,L,CHIP,8P,TP,2.	1	S.A	
...4	R8327	2011-001262	R-NETWORK;22ohm,5%,1/16W,L,CHIP,8P,TP,2.	1	S.A	
...4	R8401	2011-001262	R-NETWORK;22ohm,5%,1/16W,L,CHIP,8P,TP,2.	1	S.A	
...4	R8402	2011-001262	R-NETWORK;22ohm,5%,1/16W,L,CHIP,8P,TP,2.	1	S.A	
...4	R8403	2011-001262	R-NETWORK;22ohm,5%,1/16W,L,CHIP,8P,TP,2.	1	S.A	
...4	R8405	2011-001262	R-NETWORK;22ohm,5%,1/16W,L,CHIP,8P,TP,2.	1	S.A	
...4	R8406	2011-001262	R-NETWORK;22ohm,5%,1/16W,L,CHIP,8P,TP,2.	1	S.A	
...4	R8407	2011-001262	R-NETWORK;22ohm,5%,1/16W,L,CHIP,8P,TP,2.	1	S.A	
...4	R8408	2011-001262	R-NETWORK;22ohm,5%,1/16W,L,CHIP,8P,TP,2.	1	S.A	
...4	R8409	2011-001262	R-NETWORK;22ohm,5%,1/16W,L,CHIP,8P,TP,2.	1	S.A	
...4	R8410	2011-001262	R-NETWORK;22ohm,5%,1/16W,L,CHIP,8P,TP,2.	1	S.A	
...4	R8433	2011-001262	R-NETWORK;22ohm,5%,1/16W,L,CHIP,8P,TP,2.	1	S.A	
...4	R8434	2011-001262	R-NETWORK;22ohm,5%,1/16W,L,CHIP,8P,TP,2.	1	S.A	
...4	R8435	2011-001262	R-NETWORK;22ohm,5%,1/16W,L,CHIP,8P,TP,2.	1	S.A	
...4	R8436	2011-001262	R-NETWORK;22ohm,5%,1/16W,L,CHIP,8P,TP,2.	1	S.A	
...4	R8437	2011-001262	R-NETWORK;22ohm,5%,1/16W,L,CHIP,8P,TP,2.	1	S.A	
...4	R8504	2011-001262	R-NETWORK;22ohm,5%,1/16W,L,CHIP,8P,TP,2.	1	S.A	
...4	RA9000	2011-001262	R-NETWORK;22ohm,5%,1/16W,L,CHIP,8P,TP,2.	1	S.A	
...4	C9047	2203-000125	C-CER,CHIP;1.2nF,10%,50V,X7R,TP,1608,-	1	S.A	
...4	C9048	2203-000125	C-CER,CHIP;1.2nF,10%,50V,X7R,TP,1608,-	1	S.A	
...4	C9049	2203-000125	C-CER,CHIP;1.2nF,10%,50V,X7R,TP,1608,-	1	S.A	
...4	C9050	2203-000125	C-CER,CHIP;1.2nF,10%,50V,X7R,TP,1608,-	1	S.A	
...4	C5027	2203-000221	C-CER,CHIP;100nF,20%,50V,Y5V,TP,3216	1	S.A	
...4	C7003	2203-000233	C-CER,CHIP;0.1nF,5%,50V,C0G,1005	1	S.A	
...4	C7009_EU	2203-000233	C-CER,CHIP;0.1nF,5%,50V,C0G,1005	1	S.A	
...4	C9096	2203-000233	C-CER,CHIP;0.1nF,5%,50V,C0G,1005	1	S.A	
...4	C9930_EU	2203-000233	C-CER,CHIP;0.1nF,5%,50V,C0G,1005	1	S.A	
...4	C9933_EU	2203-000233	C-CER,CHIP;0.1nF,5%,50V,C0G,1005	1	S.A	
...4	C3006	2203-000438	C-CER,CHIP;1nF,10%,50V,X7R,1005	1	S.A	
...4	C4041	2203-000438	C-CER,CHIP;1nF,10%,50V,X7R,1005	1	S.A	
...4	C4100_PWM	2203-000438	C-CER,CHIP;1nF,10%,50V,X7R,1005	1	S.A	
...4	C4322	2203-000438	C-CER,CHIP;1nF,10%,50V,X7R,1005	1	S.A	
...4	C4353	2203-000438	C-CER,CHIP;1nF,10%,50V,X7R,1005	1	S.A	
...4	C4422	2203-000438	C-CER,CHIP;1nF,10%,50V,X7R,1005	1	S.A	
...4	C8023_DE	2203-000438	C-CER,CHIP;1nF,10%,50V,X7R,1005	1	S.A	
...4	C8024_DE	2203-000438	C-CER,CHIP;1nF,10%,50V,X7R,1005	1	S.A	
...4	C8332	2203-000438	C-CER,CHIP;1nF,10%,50V,X7R,1005	1	S.A	
...4	C8367	2203-000438	C-CER,CHIP;1nF,10%,50V,X7R,1005	1	S.A	
...4	C9075	2203-000438	C-CER,CHIP;1nF,10%,50V,X7R,1005	1	S.A	
...4	C9400	2203-000438	C-CER,CHIP;1nF,10%,50V,X7R,1005	1	S.A	
...4	C4456	2203-000491	C-CER,CHIP;2.2nF,10%,50V,X7R,1608	1	S.A	
...4	C4457	2203-000491	C-CER,CHIP;2.2nF,10%,50V,X7R,1608	1	S.A	
...4	C4478_EU	2203-000491	C-CER,CHIP;2.2nF,10%,50V,X7R,1608	1	S.A	
...4	C4479_EU	2203-000491	C-CER,CHIP;2.2nF,10%,50V,X7R,1608	1	S.A	
...4	C3010	2203-000626	C-CER,CHIP;0.022nF,5%,50V,C0G,1608	1	S.N.A	
...4	C3011	2203-000626	C-CER,CHIP;0.022nF,5%,50V,C0G,1608	1	S.N.A	

5. Exploded View & Part List

Level	Location No.	Code No.	Description & Specification	Q'ty	SA/SNA	Remark
...4	C9033	2203-000838	C-CER,CHIP;0.39NF,5%,50V,C0G,TP,1608	1	S.A	
...4	C9034	2203-000838	C-CER,CHIP;0.39NF,5%,50V,C0G,TP,1608	1	S.A	
...4	C9035	2203-000838	C-CER,CHIP;0.39NF,5%,50V,C0G,TP,1608	1	S.A	
...4	C9036	2203-000838	C-CER,CHIP;0.39NF,5%,50V,C0G,TP,1608	1	S.A	
...4	C9010	2203-000995	C-CER,CHIP;0.047nF,5%,50V,C0G,1005	1	S.A	
...4	C9014	2203-000995	C-CER,CHIP;0.047nF,5%,50V,C0G,1005	1	S.A	
...4	C1015	2203-001126	C-CER,CHIP;0.68nF,10%,50V,X7R,1608	1	S.N.A	
...4	C1103	2203-001126	C-CER,CHIP;0.68nF,10%,50V,X7R,1608	1	S.N.A	
...4	C1036	2203-001242	C-CER,CHIP;0.082nF,5%,50V,NP0,1608	1	S.A	
...4	C1104	2203-001242	C-CER,CHIP;0.082nF,5%,50V,NP0,1608	1	S.A	
...4	C4038	2203-001412	C-CER,CHIP;0.03nF,5%,50V,NP0,TP,1005	1	S.N.A	
...4	C4039	2203-001412	C-CER,CHIP;0.03nF,5%,50V,NP0,TP,1005	1	S.N.A	
...4	C4492	2203-001412	C-CER,CHIP;0.03nF,5%,50V,NP0,TP,1005	1	S.N.A	
...4	C5001	2203-001412	C-CER,CHIP;0.03nF,5%,50V,NP0,TP,1005	1	S.N.A	
...4	C5005	2203-001412	C-CER,CHIP;0.03nF,5%,50V,NP0,TP,1005	1	S.N.A	
...4	C5007	2203-001412	C-CER,CHIP;0.03nF,5%,50V,NP0,TP,1005	1	S.N.A	
...4	C5009	2203-001412	C-CER,CHIP;0.03nF,5%,50V,NP0,TP,1005	1	S.N.A	
...4	C5010	2203-001412	C-CER,CHIP;0.03nF,5%,50V,NP0,TP,1005	1	S.N.A	
...4	C7004_EU	2203-001412	C-CER,CHIP;0.03nF,5%,50V,NP0,TP,1005	1	S.N.A	
...4	C7025	2203-001412	C-CER,CHIP;0.03nF,5%,50V,NP0,TP,1005	1	S.N.A	
...4	C7035	2203-001412	C-CER,CHIP;0.03nF,5%,50V,NP0,TP,1005	1	S.N.A	
...4	C2015	2203-001596	C-CER,CHIP;2200nF,+80-20%,50V,Y5V,2012	1	S.A	
...4	C2020	2203-001596	C-CER,CHIP;2200nF,+80-20%,50V,Y5V,2012	1	S.A	
...4	C4025	2203-001598	C-CER,CHIP;2200nF,+80-20%,16V,Y5V,2012	1	S.N.A	
...4	C4026	2203-001598	C-CER,CHIP;2200nF,+80-20%,16V,Y5V,2012	1	S.N.A	
...4	C4029	2203-001598	C-CER,CHIP;2200nF,+80-20%,16V,Y5V,2012	1	S.N.A	
...4	C4030	2203-001598	C-CER,CHIP;2200nF,+80-20%,16V,Y5V,2012	1	S.N.A	
...4	C4031	2203-001598	C-CER,CHIP;2200nF,+80-20%,16V,Y5V,2012	1	S.N.A	
...4	C4032	2203-001598	C-CER,CHIP;2200nF,+80-20%,16V,Y5V,2012	1	S.N.A	
...4	C4034	2203-001598	C-CER,CHIP;2200nF,+80-20%,16V,Y5V,2012	1	S.N.A	
...4	C4046	2203-001598	C-CER,CHIP;2200nF,+80-20%,16V,Y5V,2012	1	S.N.A	
...4	C4047	2203-001598	C-CER,CHIP;2200nF,+80-20%,16V,Y5V,2012	1	S.N.A	
...4	C10009_EU	2203-002285	C-CER,CHIP;10nF,10%,50V,X7R,1005	1	S.N.A	
...4	C10034_EU	2203-002285	C-CER,CHIP;10nF,10%,50V,X7R,1005	1	S.N.A	
...4	C3005	2203-002285	C-CER,CHIP;10nF,10%,50V,X7R,1005	1	S.N.A	
...4	C7036	2203-002285	C-CER,CHIP;10nF,10%,50V,X7R,1005	1	S.N.A	
...4	C7037	2203-002285	C-CER,CHIP;10nF,10%,50V,X7R,1005	1	S.N.A	
...4	C7040	2203-002285	C-CER,CHIP;10nF,10%,50V,X7R,1005	1	S.N.A	
...4	C7041	2203-002285	C-CER,CHIP;10nF,10%,50V,X7R,1005	1	S.N.A	
...4	C5008	2203-002525	C-CER,CHIP;0.56nF,10%,50V,X7R,TP,1005	1	S.N.A	
...4	C5012	2203-002525	C-CER,CHIP;0.56nF,10%,50V,X7R,TP,1005	1	S.N.A	
...4	C5013	2203-002525	C-CER,CHIP;0.56nF,10%,50V,X7R,TP,1005	1	S.N.A	
...4	C5015	2203-002525	C-CER,CHIP;0.56nF,10%,50V,X7R,TP,1005	1	S.N.A	
...4	C7002_EU	2203-002525	C-CER,CHIP;0.56nF,10%,50V,X7R,TP,1005	1	S.N.A	
...4	C7006_EU	2203-002525	C-CER,CHIP;0.56nF,10%,50V,X7R,TP,1005	1	S.N.A	
...4	C7011	2203-002525	C-CER,CHIP;0.56nF,10%,50V,X7R,TP,1005	1	S.N.A	
...4	C7013	2203-002525	C-CER,CHIP;0.56nF,10%,50V,X7R,TP,1005	1	S.N.A	
...4	C7026	2203-002525	C-CER,CHIP;0.56nF,10%,50V,X7R,TP,1005	1	S.N.A	
...4	C7027	2203-002525	C-CER,CHIP;0.56nF,10%,50V,X7R,TP,1005	1	S.N.A	
...4	C11050	2203-002720	C-CER,CHIP;10nF,10%,25V,X7R,1005	1	S.N.A	
...4	C9023	2203-005065	C-CER,CHIP;1000nF,+80-20%,10V,Y5V,1608	1	S.N.A	

## 5. Exploded View &amp; Part List

Level	Location No.	Code No.	Description & Specification	Q'ty	SA/SNA	Remark
....4	C9027	2203-005065	C-CER,CHIP;1000nF,+80-20%,10V,Y5V,1608	1	S.N.A	
....4	C9028	2203-005065	C-CER,CHIP;1000nF,+80-20%,10V,Y5V,1608	1	S.N.A	
....4	C9029	2203-005065	C-CER,CHIP;1000nF,+80-20%,10V,Y5V,1608	1	S.N.A	
....4	C9018	2203-005249	C-CER,CHIP;100nF,10%,50V,X7R,TP,1608	1	S.N.A	
....4	C9025	2203-005249	C-CER,CHIP;100nF,10%,50V,X7R,TP,1608	1	S.N.A	
....4	C9026	2203-005249	C-CER,CHIP;100nF,10%,50V,X7R,TP,1608	1	S.N.A	
....4	C9030	2203-005249	C-CER,CHIP;100nF,10%,50V,X7R,TP,1608	1	S.N.A	
....4	C9039	2203-005249	C-CER,CHIP;100nF,10%,50V,X7R,TP,1608	1	S.N.A	
....4	C9040	2203-005249	C-CER,CHIP;100nF,10%,50V,X7R,TP,1608	1	S.N.A	
....4	C9041	2203-005249	C-CER,CHIP;100nF,10%,50V,X7R,TP,1608	1	S.N.A	
....4	C9042	2203-005249	C-CER,CHIP;100nF,10%,50V,X7R,TP,1608	1	S.N.A	
....4	C9043	2203-005249	C-CER,CHIP;100nF,10%,50V,X7R,TP,1608	1	S.N.A	
....4	C9044	2203-005249	C-CER,CHIP;100nF,10%,50V,X7R,TP,1608	1	S.N.A	
....4	C9045	2203-005249	C-CER,CHIP;100nF,10%,50V,X7R,TP,1608	1	S.N.A	
....4	C9046	2203-005249	C-CER,CHIP;100nF,10%,50V,X7R,TP,1608	1	S.N.A	
....4	C1016	2203-005384	C-CER,CHIP;4700nF,+80-20%,10V,Y5V,TP,201	1	S.N.A	
....4	C1051	2203-005384	C-CER,CHIP;4700nF,+80-20%,10V,Y5V,TP,201	1	S.N.A	
....4	C1105	2203-005384	C-CER,CHIP;4700nF,+80-20%,10V,Y5V,TP,201	1	S.N.A	
....4	C1200	2203-005384	C-CER,CHIP;4700nF,+80-20%,10V,Y5V,TP,201	1	S.N.A	
....4	C1201	2203-005384	C-CER,CHIP;4700nF,+80-20%,10V,Y5V,TP,201	1	S.N.A	
....4	C3500	2203-005384	C-CER,CHIP;4700nF,+80-20%,10V,Y5V,TP,201	1	S.N.A	
....4	C1026	2203-005809	C-CER,CHIP;1000nF,10%,16V,X7R,-,2012	1	S.A	
....4	C1058	2203-005809	C-CER,CHIP;1000nF,10%,16V,X7R,-,2012	1	S.A	
....4	C1065	2203-005809	C-CER,CHIP;1000nF,10%,16V,X7R,-,2012	1	S.A	
....4	C1083	2203-005809	C-CER,CHIP;1000nF,10%,16V,X7R,-,2012	1	S.A	
....4	C1082	2203-005834	C-CER,CHIP;2200nF,+80-20%,10V,Y5V,3216	1	S.A	
....4	C1100	2203-005834	C-CER,CHIP;2200nF,+80-20%,10V,Y5V,3216	1	S.A	
....4	C2509	2203-005834	C-CER,CHIP;2200nF,+80-20%,10V,Y5V,3216	1	S.A	
....4	C2510	2203-005834	C-CER,CHIP;2200nF,+80-20%,10V,Y5V,3216	1	S.A	
....4	C2511	2203-005834	C-CER,CHIP;2200nF,+80-20%,10V,Y5V,3216	1	S.A	
....4	C2590	2203-005834	C-CER,CHIP;2200nF,+80-20%,10V,Y5V,3216	1	S.A	
....4	C5028	2203-005834	C-CER,CHIP;2200nF,+80-20%,10V,Y5V,3216	1	S.A	
....4	C5030	2203-005834	C-CER,CHIP;2200nF,+80-20%,10V,Y5V,3216	1	S.A	
....4	C7028	2203-005834	C-CER,CHIP;2200nF,+80-20%,10V,Y5V,3216	1	S.A	
....4	C7029	2203-005834	C-CER,CHIP;2200nF,+80-20%,10V,Y5V,3216	1	S.A	
....4	C4004	2203-006126	C-CER,CHIP;47NF,10%,16V,X7R,TP,1005	1	S.N.A	
....4	C4005	2203-006126	C-CER,CHIP;47NF,10%,16V,X7R,TP,1005	1	S.N.A	
....4	C4007	2203-006126	C-CER,CHIP;47NF,10%,16V,X7R,TP,1005	1	S.N.A	
....4	C4009	2203-006126	C-CER,CHIP;47NF,10%,16V,X7R,TP,1005	1	S.N.A	
....4	C4014	2203-006126	C-CER,CHIP;47NF,10%,16V,X7R,TP,1005	1	S.N.A	
....4	C4018	2203-006126	C-CER,CHIP;47NF,10%,16V,X7R,TP,1005	1	S.N.A	
....4	C4019	2203-006126	C-CER,CHIP;47NF,10%,16V,X7R,TP,1005	1	S.N.A	
....4	C4021	2203-006126	C-CER,CHIP;47NF,10%,16V,X7R,TP,1005	1	S.N.A	
....4	C4312	2203-006126	C-CER,CHIP;47NF,10%,16V,X7R,TP,1005	1	S.N.A	
....4	C4313	2203-006126	C-CER,CHIP;47NF,10%,16V,X7R,TP,1005	1	S.N.A	
....4	C4319	2203-006126	C-CER,CHIP;47NF,10%,16V,X7R,TP,1005	1	S.N.A	
....4	C4320	2203-006126	C-CER,CHIP;47NF,10%,16V,X7R,TP,1005	1	S.N.A	
....4	C4321	2203-006126	C-CER,CHIP;47NF,10%,16V,X7R,TP,1005	1	S.N.A	
....4	C4323	2203-006126	C-CER,CHIP;47NF,10%,16V,X7R,TP,1005	1	S.N.A	
....4	C3241	2203-006141	C-CER,CHIP;1000nF,10%,16V,X5R,1608	1	S.N.A	
....4	C4035	2203-006141	C-CER,CHIP;1000nF,10%,16V,X5R,1608	1	S.N.A	

5. Exploded View & Part List

Level	Location No.	Code No.	Description & Specification	Q'ty	SA/SNA	Remark
...4	C9003	2203-006141	C-CER,CHIP;1000nF,10%,16V,X5R,1608	1	S.N.A	
...4	C9004	2203-006141	C-CER,CHIP;1000nF,10%,16V,X5R,1608	1	S.N.A	
...4	C9012	2203-006141	C-CER,CHIP;1000nF,10%,16V,X5R,1608	1	S.N.A	
...4	C9077	2203-006141	C-CER,CHIP;1000nF,10%,16V,X5R,1608	1	S.N.A	
...4	C9316_EU	2203-006141	C-CER,CHIP;1000nF,10%,16V,X5R,1608	1	S.N.A	
...4	C9317_EU	2203-006141	C-CER,CHIP;1000nF,10%,16V,X5R,1608	1	S.N.A	
...4	C9318_EU	2203-006141	C-CER,CHIP;1000nF,10%,16V,X5R,1608	1	S.N.A	
...4	C10033	2203-006158	C-CER,CHIP;100nF,10%,16V,X7R,1005	1	S.N.A	
...4	C10035	2203-006158	C-CER,CHIP;100nF,10%,16V,X7R,1005	1	S.N.A	
...4	C10037	2203-006158	C-CER,CHIP;100nF,10%,16V,X7R,1005	1	S.N.A	
...4	C1014	2203-006158	C-CER,CHIP;100nF,10%,16V,X7R,1005	1	S.N.A	
...4	C1102	2203-006158	C-CER,CHIP;100nF,10%,16V,X7R,1005	1	S.N.A	
...4	C2002	2203-006158	C-CER,CHIP;100nF,10%,16V,X7R,1005	1	S.N.A	
...4	C2017	2203-006158	C-CER,CHIP;100nF,10%,16V,X7R,1005	1	S.N.A	
...4	C2019	2203-006158	C-CER,CHIP;100nF,10%,16V,X7R,1005	1	S.N.A	
...4	C2048	2203-006158	C-CER,CHIP;100nF,10%,16V,X7R,1005	1	S.N.A	
...4	C2053	2203-006158	C-CER,CHIP;100nF,10%,16V,X7R,1005	1	S.N.A	
...4	C2070	2203-006158	C-CER,CHIP;100nF,10%,16V,X7R,1005	1	S.N.A	
...4	C2082	2203-006158	C-CER,CHIP;100nF,10%,16V,X7R,1005	1	S.N.A	
...4	C2084	2203-006158	C-CER,CHIP;100nF,10%,16V,X7R,1005	1	S.N.A	
...4	C2086	2203-006158	C-CER,CHIP;100nF,10%,16V,X7R,1005	1	S.N.A	
...4	C2089	2203-006158	C-CER,CHIP;100nF,10%,16V,X7R,1005	1	S.N.A	
...4	C3002	2203-006158	C-CER,CHIP;100nF,10%,16V,X7R,1005	1	S.N.A	
...4	C3007	2203-006158	C-CER,CHIP;100nF,10%,16V,X7R,1005	1	S.N.A	
...4	C3008	2203-006158	C-CER,CHIP;100nF,10%,16V,X7R,1005	1	S.N.A	
...4	C4001	2203-006158	C-CER,CHIP;100nF,10%,16V,X7R,1005	1	S.N.A	
...4	C4002	2203-006158	C-CER,CHIP;100nF,10%,16V,X7R,1005	1	S.N.A	
...4	C4008	2203-006158	C-CER,CHIP;100nF,10%,16V,X7R,1005	1	S.N.A	
...4	C4013	2203-006158	C-CER,CHIP;100nF,10%,16V,X7R,1005	1	S.N.A	
...4	C4020	2203-006158	C-CER,CHIP;100nF,10%,16V,X7R,1005	1	S.N.A	
...4	C4022	2203-006158	C-CER,CHIP;100nF,10%,16V,X7R,1005	1	S.N.A	
...4	C4023	2203-006158	C-CER,CHIP;100nF,10%,16V,X7R,1005	1	S.N.A	
...4	C4024	2203-006158	C-CER,CHIP;100nF,10%,16V,X7R,1005	1	S.N.A	
...4	C4033	2203-006158	C-CER,CHIP;100nF,10%,16V,X7R,1005	1	S.N.A	
...4	C4037	2203-006158	C-CER,CHIP;100nF,10%,16V,X7R,1005	1	S.N.A	
...4	C4040	2203-006158	C-CER,CHIP;100nF,10%,16V,X7R,1005	1	S.N.A	
...4	C4310	2203-006158	C-CER,CHIP;100nF,10%,16V,X7R,1005	1	S.N.A	
...4	C4311	2203-006158	C-CER,CHIP;100nF,10%,16V,X7R,1005	1	S.N.A	
...4	C4314	2203-006158	C-CER,CHIP;100nF,10%,16V,X7R,1005	1	S.N.A	
...4	C4324	2203-006158	C-CER,CHIP;100nF,10%,16V,X7R,1005	1	S.N.A	
...4	C4354	2203-006158	C-CER,CHIP;100nF,10%,16V,X7R,1005	1	S.N.A	
...4	C5014	2203-006158	C-CER,CHIP;100nF,10%,16V,X7R,1005	1	S.N.A	
...4	C5024	2203-006158	C-CER,CHIP;100nF,10%,16V,X7R,1005	1	S.N.A	
...4	C5026	2203-006158	C-CER,CHIP;100nF,10%,16V,X7R,1005	1	S.N.A	
...4	C5029	2203-006158	C-CER,CHIP;100nF,10%,16V,X7R,1005	1	S.N.A	
...4	C5031	2203-006158	C-CER,CHIP;100nF,10%,16V,X7R,1005	1	S.N.A	
...4	C6004	2203-006158	C-CER,CHIP;100nF,10%,16V,X7R,1005	1	S.N.A	
...4	C6113	2203-006158	C-CER,CHIP;100nF,10%,16V,X7R,1005	1	S.N.A	
...4	C6114	2203-006158	C-CER,CHIP;100nF,10%,16V,X7R,1005	1	S.N.A	
...4	C7008	2203-006158	C-CER,CHIP;100nF,10%,16V,X7R,1005	1	S.N.A	
...4	C7017	2203-006158	C-CER,CHIP;100nF,10%,16V,X7R,1005	1	S.N.A	

## 5. Exploded View &amp; Part List

Level	Location No.	Code No.	Description & Specification	Q'ty	SA/SNA	Remark
...4	C7031	2203-006158	C-CER,CHIP;100nF,10%,16V,X7R,1005	1	S.N.A	
...4	C7051	2203-006158	C-CER,CHIP;100nF,10%,16V,X7R,1005	1	S.N.A	
...4	C8016_DE	2203-006158	C-CER,CHIP;100nF,10%,16V,X7R,1005	1	S.N.A	
...4	C8017_DE	2203-006158	C-CER,CHIP;100nF,10%,16V,X7R,1005	1	S.N.A	
...4	C8019_DE	2203-006158	C-CER,CHIP;100nF,10%,16V,X7R,1005	1	S.N.A	
...4	C8020_DE	2203-006158	C-CER,CHIP;100nF,10%,16V,X7R,1005	1	S.N.A	
...4	C8021_DE	2203-006158	C-CER,CHIP;100nF,10%,16V,X7R,1005	1	S.N.A	
...4	C8331	2203-006158	C-CER,CHIP;100nF,10%,16V,X7R,1005	1	S.N.A	
...4	C8365	2203-006158	C-CER,CHIP;100nF,10%,16V,X7R,1005	1	S.N.A	
...4	C8503	2203-006158	C-CER,CHIP;100nF,10%,16V,X7R,1005	1	S.N.A	
...4	C8505	2203-006158	C-CER,CHIP;100nF,10%,16V,X7R,1005	1	S.N.A	
...4	C9006	2203-006158	C-CER,CHIP;100nF,10%,16V,X7R,1005	1	S.N.A	
...4	C9007	2203-006158	C-CER,CHIP;100nF,10%,16V,X7R,1005	1	S.N.A	
...4	C9008	2203-006158	C-CER,CHIP;100nF,10%,16V,X7R,1005	1	S.N.A	
...4	C9009	2203-006158	C-CER,CHIP;100nF,10%,16V,X7R,1005	1	S.N.A	
...4	C9020	2203-006158	C-CER,CHIP;100nF,10%,16V,X7R,1005	1	S.N.A	
...4	C9022	2203-006158	C-CER,CHIP;100nF,10%,16V,X7R,1005	1	S.N.A	
...4	C1048	2203-006336	C-CER,CHIP;10000nF,10%,25V,X5R,3216	1	S.A	
...4	C9019	2203-006336	C-CER,CHIP;10000nF,10%,25V,X5R,3216	1	S.A	
...4	C9024	2203-006336	C-CER,CHIP;10000nF,10%,25V,X5R,3216	1	S.A	
...4	C9031	2203-006336	C-CER,CHIP;10000nF,10%,25V,X5R,3216	1	S.A	
...4	C9032	2203-006336	C-CER,CHIP;10000nF,10%,25V,X5R,3216	1	S.A	
...4	C8022_DE	2203-006361	C-CER,CHIP;10000nF,10%,10V,X5R,TP,2012	1	S.A	
...4	C9005	2203-006361	C-CER,CHIP;10000nF,10%,10V,X5R,TP,2012	1	S.A	
...4	C9078	2203-006361	C-CER,CHIP;10000nF,10%,10V,X5R,TP,2012	1	S.A	
...4	C9001	2203-006399	C-CER,CHIP;1000nF,10%,6.3V,X5R,1005	1	S.A	
...4	C9002	2203-006399	C-CER,CHIP;1000nF,10%,6.3V,X5R,1005	1	S.A	
...4	C3242	2203-006681	C-CER,CHIP;100nF,+80-20%,25V,Y5V,1005	1	S.N.A	
...4	C3243	2203-006681	C-CER,CHIP;100nF,+80-20%,25V,Y5V,1005	1	S.N.A	
...4	C6500	2203-006681	C-CER,CHIP;100nF,+80-20%,25V,Y5V,1005	1	S.N.A	
...4	C1012	2203-007176	C-CER,CHIP;10000nF,10%,16V,X5R,TP,2012 (	1	S.N.A	
...4	C11051	2203-007176	C-CER,CHIP;10000nF,10%,16V,X5R,TP,2012 (	1	S.N.A	
...4	C2042	2203-007176	C-CER,CHIP;10000nF,10%,16V,X5R,TP,2012 (	1	S.N.A	
...4	C2043	2203-007176	C-CER,CHIP;10000nF,10%,16V,X5R,TP,2012 (	1	S.N.A	
...4	C2044	2203-007176	C-CER,CHIP;10000nF,10%,16V,X5R,TP,2012 (	1	S.N.A	
...4	C2045	2203-007176	C-CER,CHIP;10000nF,10%,16V,X5R,TP,2012 (	1	S.N.A	
...4	C2046	2203-007176	C-CER,CHIP;10000nF,10%,16V,X5R,TP,2012 (	1	S.N.A	
...4	C2071	2203-007176	C-CER,CHIP;10000nF,10%,16V,X5R,TP,2012 (	1	S.N.A	
...4	C2081	2203-007176	C-CER,CHIP;10000nF,10%,16V,X5R,TP,2012 (	1	S.N.A	
...4	C2083	2203-007176	C-CER,CHIP;10000nF,10%,16V,X5R,TP,2012 (	1	S.N.A	
...4	C2085	2203-007176	C-CER,CHIP;10000nF,10%,16V,X5R,TP,2012 (	1	S.N.A	
...4	C2088	2203-007176	C-CER,CHIP;10000nF,10%,16V,X5R,TP,2012 (	1	S.N.A	
...4	C2302	2203-007176	C-CER,CHIP;10000nF,10%,16V,X5R,TP,2012 (	1	S.N.A	
...4	C3009	2203-007176	C-CER,CHIP;10000nF,10%,16V,X5R,TP,2012 (	1	S.N.A	
...4	C4036	2203-007176	C-CER,CHIP;10000nF,10%,16V,X5R,TP,2012 (	1	S.N.A	
...4	C5025	2203-007176	C-CER,CHIP;10000nF,10%,16V,X5R,TP,2012 (	1	S.N.A	
...4	C5032	2203-007176	C-CER,CHIP;10000nF,10%,16V,X5R,TP,2012 (	1	S.N.A	
...4	C5040	2203-007176	C-CER,CHIP;10000nF,10%,16V,X5R,TP,2012 (	1	S.N.A	
...4	C7010	2203-007176	C-CER,CHIP;10000nF,10%,16V,X5R,TP,2012 (	1	S.N.A	
...4	C7024	2203-007176	C-CER,CHIP;10000nF,10%,16V,X5R,TP,2012 (	1	S.N.A	
...4	C8502	2203-007176	C-CER,CHIP;10000nF,10%,16V,X5R,TP,2012 (	1	S.N.A	

## 5. Exploded View &amp; Part List

Level	Location No.	Code No.	Description & Specification	Q'ty	SA/SNA	Remark
...4	C8504	2203-007176	C-CER,CHIP;1000nF,10%,16V,X5R,TP,2012 (	1	S.N.A	
...4	C9021	2203-007176	C-CER,CHIP;1000nF,10%,16V,X5R,TP,2012 (	1	S.N.A	
...4	C9314_EU	2203-007176	C-CER,CHIP;1000nF,10%,16V,X5R,TP,2012 (	1	S.N.A	
...4	C9315_EU	2203-007176	C-CER,CHIP;1000nF,10%,16V,X5R,TP,2012 (	1	S.N.A	
...4	C9331_EU	2203-007176	C-CER,CHIP;1000nF,10%,16V,X5R,TP,2012 (	1	S.N.A	
...4	C9332_EU	2203-007176	C-CER,CHIP;1000nF,10%,16V,X5R,TP,2012 (	1	S.N.A	
...4	CA2002	2503-001051	C-NETWORK;100NFX4,20%,16V,-,2012, 4ARRAY	1	S.A	
...4	CA2003	2503-001051	C-NETWORK;100NFX4,20%,16V,-,2012, 4ARRAY	1	S.A	
...4	CA2004	2503-001051	C-NETWORK;100NFX4,20%,16V,-,2012, 4ARRAY	1	S.A	
...4	CA2005	2503-001051	C-NETWORK;100NFX4,20%,16V,-,2012, 4ARRAY	1	S.A	
...4	CA2006	2503-001051	C-NETWORK;100NFX4,20%,16V,-,2012, 4ARRAY	1	S.A	
...4	CA2007	2503-001051	C-NETWORK;100NFX4,20%,16V,-,2012, 4ARRAY	1	S.A	
...4	CA2008	2503-001051	C-NETWORK;100NFX4,20%,16V,-,2012, 4ARRAY	1	S.A	
...4	CA2009	2503-001051	C-NETWORK;100NFX4,20%,16V,-,2012, 4ARRAY	1	S.A	
...4	CA2010	2503-001051	C-NETWORK;100NFX4,20%,16V,-,2012, 4ARRAY	1	S.A	
...4	CA2011	2503-001051	C-NETWORK;100NFX4,20%,16V,-,2012, 4ARRAY	1	S.A	
...4	CA2012	2503-001051	C-NETWORK;100NFX4,20%,16V,-,2012, 4ARRAY	1	S.A	
...4	CA2013	2503-001051	C-NETWORK;100NFX4,20%,16V,-,2012, 4ARRAY	1	S.A	
...4	CA2014	2503-001051	C-NETWORK;100NFX4,20%,16V,-,2012, 4ARRAY	1	S.A	
...4	T0052	2703-000398	INDUCTOR-SMD;10uH,10%,3225	1	S.A	
...4	T0052	2703-000398	INDUCTOR-SMD;10uH,10%,3225	1	S.A	
...4	T0052	2703-000398	INDUCTOR-SMD;10uH,10%,3225	1	S.A	
...4	T0052	2703-000398	INDUCTOR-SMD;10uH,10%,3225	1	S.A	
...4	T0052	2703-000398	INDUCTOR-SMD;10uH,10%,3225	1	S.A	
...4	T0052	2703-001778	INDUCTOR-SMD;3.3uH,20%,3225	1	S.A	
...4	T0052	2703-002809	INDUCTOR-SMD;1.2uH,20%,7070	1	S.A	
...4	T0052	2703-002809	INDUCTOR-SMD;1.2uH,20%,7070	1	S.A	
...4	L9001	2704-000018	INDUCTOR-SMD-ARRAY;15uH,2000mA,2,0.124oh	1	S.N.A	
...4	L9002	2704-000018	INDUCTOR-SMD-ARRAY;15uH,2000mA,2,0.124oh	1	S.N.A	
...4	X202	2801-003326	CRYSTAL-SMD;24MHZ,30PPM,28-ABX,20PF,50OH	1	S.A	
...4	X202	2801-003773	CRYSTAL-SMD;12MHz,30ppm,28-AAN,20pF,50oh	1	S.A	
...4	T0568	3301-000314	BEAD-SMD;120ohm,1.6x0.8x0.8mm,-,-,-	1	S.N.A	
...4	T0568	3301-000314	BEAD-SMD;120ohm,1.6x0.8x0.8mm,-,-,-	1	S.N.A	
...4	T0568	3301-001145	BEAD-SMD;60ohm,4516,TP,70ohm/45MHz,82ohm	1	S.N.A	
...4	T0568	3301-001145	BEAD-SMD;60ohm,4516,TP,70ohm/45MHz,82ohm	1	S.N.A	
...4	T0568	3301-001236	BEAD-SMD;60ohm,1608,-,-,-	1	S.N.A	
...4	T0568	3301-001236	BEAD-SMD;60ohm,1608,-,-,-	1	S.N.A	
...4	T0568	3301-001236	BEAD-SMD;60ohm,1608,-,-,-	1	S.N.A	
...4	T0568	3301-001236	BEAD-SMD;60ohm,1608,-,-,-	1	S.N.A	
...4	T0568	3301-001236	BEAD-SMD;60ohm,1608,-,-,-	1	S.N.A	
...4	T0568	3301-001236	BEAD-SMD;60ohm,1608,-,-,-	1	S.N.A	
...4	T0568	3301-001236	BEAD-SMD;60ohm,1608,-,-,-	1	S.N.A	
...4	T0568	3301-001236	BEAD-SMD;60ohm,1608,-,-,-	1	S.N.A	
...4	T0568	3301-001236	BEAD-SMD;60ohm,1608,-,-,-	1	S.N.A	
...4	T0568	3301-001236	BEAD-SMD;60ohm,1608,-,-,-	1	S.N.A	
...4	T0568	3301-001404	BEAD-SMD;30ohm,2012,TP,15.9OHM/30MHz	1	S.A	
...4	T0568	3301-001404	BEAD-SMD;30ohm,2012,TP,15.9OHM/30MHz	1	S.A	
...4	T0568	3301-001404	BEAD-SMD;30ohm,2012,TP,15.9OHM/30MHz	1	S.A	
...4	T0568	3301-001404	BEAD-SMD;30ohm,2012,TP,15.9OHM/30MHz	1	S.A	
...4	T0568	3301-001404	BEAD-SMD;30ohm,2012,TP,15.9OHM/30MHz	1	S.A	
...4	T0568	3301-001404	BEAD-SMD;30ohm,2012,TP,15.9OHM/30MHz	1	S.A	
...4	T0568	3301-001404	BEAD-SMD;30ohm,2012,TP,15.9OHM/30MHz	1	S.A	
...4	T0568	3301-001404	BEAD-SMD;30ohm,2012,TP,15.9OHM/30MHz	1	S.A	
...4	T0568	3301-001404	BEAD-SMD;30ohm,2012,TP,15.9OHM/30MHz	1	S.A	
...4	T0568	3301-001404	BEAD-SMD;30ohm,2012,TP,15.9OHM/30MHz	1	S.A	
...4	T0568	3301-001404	BEAD-SMD;30ohm,2012,TP,15.9OHM/30MHz	1	S.A	
...4	T0568	3301-001404	BEAD-SMD;30ohm,2012,TP,15.9OHM/30MHz	1	S.A	



## 5. Exploded View &amp; Part List

Level	Location No.	Code No.	Description & Specification	Q'ty	SA/SNA	Remark
...4	T0568	3301-001404	BEAD-SMD;30ohm,2012,TP,15.9OHM/30MHz	1	S.A	
...4	T0568	3301-001404	BEAD-SMD;30ohm,2012,TP,15.9OHM/30MHz	1	S.A	
...4	T0568	3301-001404	BEAD-SMD;30ohm,2012,TP,15.9OHM/30MHz	1	S.A	
...4	T0568	3301-001404	BEAD-SMD;30ohm,2012,TP,15.9OHM/30MHz	1	S.A	
...4	T0568	3301-001404	BEAD-SMD;30ohm,2012,TP,15.9OHM/30MHz	1	S.A	
...4	T0568	3301-001404	BEAD-SMD;30ohm,2012,TP,15.9OHM/30MHz	1	S.A	
...4	T0568	3301-001404	BEAD-SMD;30ohm,2012,TP,15.9OHM/30MHz	1	S.A	
...4	F1001	3601-001376	FUSE-SURFACE MOUNT;32V,3A,FAST-ACTING,Hi	1	S.N.A	
...4	CN6009	3701-001367	CONNECTOR-HDMI;19P,2R,FEMALE,SMD,AU	1	S.A	
...4	M0106	3708-001150	CONNECTOR-FPC/FFC/PIC;30P,1mm,SMD-A,SN,Y	1	S.A	
...4	T0077	BN41-01171A	PCB MAIN;Saturn4 DVB,FR-4,4,1.0,1.2T,192	1	S.N.A	
...4	M0018	BN97-03104A	ASSY MICOM;N65A,2008.11.04,T-CRLPEUS-XXX	1	S.N.A	
....5	IC520	0903-001552	IC-MICROCONTROLLER;WT61P8-RG480WT,LQFP,4	1	S.N.A	
...4	M0018	BN97-03104C	ASSY MICOM;0xB3EA,N65A,2008.11.04,T-CRLP	1	S.N.A	
....5	IC115	1107-001777	IC-FLASH MEMORY;MX25L6405DMI-12G,64Mbit,	1	S.A	
...4	SUB05	0202-001477	SOLDER-CREAM;LST309-M,-,D20~45um,96.5Sn/	1.607	S.N.A	
...4	D6032	0407-000114	DIODE-ARRAY;-80V,100mA,CA2-3,SOT-23,TP	1	S.N.A	
...4	D6034	0407-000114	DIODE-ARRAY;-80V,100mA,CA2-3,SOT-23,TP	1	S.N.A	
...4	R9214_EU	2007-000096	R-CHIP;30Kohm,5%,1/10W,TP,1608	1	S.A	
...4	R9215_EU	2007-000096	R-CHIP;30Kohm,5%,1/10W,TP,1608	1	S.A	
...4	R9218_EU	2007-000096	R-CHIP;30Kohm,5%,1/10W,TP,1608	1	S.A	
...4	R9219_EU	2007-000096	R-CHIP;30Kohm,5%,1/10W,TP,1608	1	S.A	
...4	R7058	2007-000151	R-CHIP;15Kohm,5%,1/16W,TP,1005	1	S.N.A	
...4	R1205	2007-000772	R-CHIP;33Kohm,1%,1/10W,TP,1608	1	S.A	
...4	C5900	2203-000330	C-CER,CHIP;0.012nF,5%,50V,C0G,1005	1	S.A	
...4	C5901	2203-000330	C-CER,CHIP;0.012nF,5%,50V,C0G,1005	1	S.A	
...4	C5902	2203-000330	C-CER,CHIP;0.012nF,5%,50V,C0G,1005	1	S.A	
...4	C9313_EU	2203-000330	C-CER,CHIP;0.012nF,5%,50V,C0G,1005	1	S.A	
...4	C9319_EU	2203-000330	C-CER,CHIP;0.012nF,5%,50V,C0G,1005	1	S.A	
...4	C9037	2203-000575	C-CER,CHIP;220nF,10%,25V,X7R,TP,2012	1	S.N.A	
...4	C9038	2203-000575	C-CER,CHIP;220nF,10%,25V,X7R,TP,2012	1	S.N.A	
...4	IC3007	1205-003201	IC-BUS SWITCH;TC7WB125FK,SSOP,8P,2x2.3mm	1	S.A	
...4	IC5090	1205-003201	IC-BUS SWITCH;TC7WB125FK,SSOP,8P,2x2.3mm	1	S.A	
...4	T0568	3301-001404	BEAD-SMD;30ohm,2012,TP,15.9OHM/30MHz	1	S.A	
...4	T0568	3301-001404	BEAD-SMD;30ohm,2012,TP,15.9OHM/30MHz	1	S.A	
...4	T0568	3301-001404	BEAD-SMD;30ohm,2012,TP,15.9OHM/30MHz	1	S.A	
...3	T0066	BP62-00017A	HEAT SINK-ES;SP-50L2HX,A6063S,T2.0,26.2,	1	S.N.A	
...3	CN1000_EU	3709-001551	CONNECTOR-CARD SLOT;68P,1.27mm,DIP,AU50U	1	S.A	
0.1	M0112	BN91-03831A	ASSY SHIELD;LE19B450C4WXXC	1	S.N.A	
..2	M0081	6003-000275	SCREW-TAPTITE;BH,+,-,B,M3,L10,ZPC(BLK),S	6	S.N.A	
..2	M0081	6003-000275	SCREW-TAPTITE;BH,+,-,B,M3,L10,ZPC(BLK),S	2	S.N.A	
..2	M0081	6003-000275	SCREW-TAPTITE;BH,+,-,B,M3,L10,ZPC(BLK),S	3	S.N.A	
..2	M0081	6003-000275	SCREW-TAPTITE;BH,+,-,B,M3,L10,ZPC(BLK),S	4	S.N.A	
..2	M0081	6003-001439	SCREW-TAPTITE;BH,+,-,S,M4,L8,ZPC(WHT),SW	1	S.N.A	
..2	M0174	BN44-00231B	IP BOARD;PWI1902ST(A),L450 18.5"(2Lamp),	1	S.A	
..2		BN63-05259A	COVER-MAIN;EO,ABS+PMMA,HB,BK23,H/GLOSSY	1	S.N.A	
..2	LVDS	BN81-02422A	A/S-ADHESIVE;TECNOMELT,Q9268H,WHT	0.8	S.N.A	
..2	M0251	BN96-02854N	ASSY CABLE P;Finifarina,FLAT CABLE,-,15	1	S.A	
..2	T0447	BN96-10032B	ASSY BRACKET P-PANEL;LB450 19,CPT,SECC,T	1	S.N.A	
...3		BN61-02428D	STUD-PEM;PNA,M4,D8,L8,ZPC(SIL),SUM24L	1	S.N.A	

5. Exploded View & Part List

Level	Location No.	Code No.	Description & Specification	Q'ty	SA/SNA	Remark
...3	T0212	BN61-04771B	BRACKET-PANEL;B450 19,SECC,T0.8,CPT	1	S.N.A	
...3	T0514	BN61-04796A	BRACKET-SUPPORT;B450 19inch,SECC,T 1.6	1	S.N.A	
0.1	M0003	BN92-04460A	ASSY BOX;LB450 19	1	S.N.A	
..2		BN69-03409A	BOX-SET;B450-19,CB,A-01, SW-50, A,YEL,W5	1	S.N.A	
0.1	M0113	BN92-04466A	ASSY P/MATERIAL;LB450 19	1	S.N.A	
..2	T0524	6902-000857	BAG PE;HDPE/HDPE/NITRON,T0.015/T0.015/T0	1	S.N.A	
..2	T0214	BN74-00008A	TAPE-OPP MASKING;OPP-2,T0.05,W100,L800M,	1.38	S.N.A	
0.1	M0019	BN92-04536A	ASSY LABEL;LE19B450C4WXXC	1	S.N.A	
0.1	M0045	BN92-04539E	ASSY ACCESSORY;LE19B455C4WXXE	1	S.N.A	
..2	M0045	BN96-10167B	ASSY ACCESSORY-CABLE;LE19B450C4WXXC	1	S.A	
...3	T0268	3903-000145	CBF-POWER CORD;DT,EU,FP3/YES,U(IEC C13-R	1	S.A	
...3	T0074	BN59-00865A	REMOCON;DLP,CRT,TM940,EUROPE,39	1	S.A	
...3	M9889	BN63-01798B	CLOTH-CLEAN;cloth,180,200,sea blue,ToC	1	S.N.A	
...3	T0531	BN63-04242C	COVER-BOTTOM;19L450,HIPS,-,-,HB,-,BK50	1	S.N.A	
...3	T0531	BN63-04254C	COVER-BOTTOM;19L450,HIPS,-,-,HB,-,BK50	1	S.N.A	
..2	M0045	BN96-10167G	ASSY ACCESSORY-MANUAL;LE19B455C4WXXE	1	S.A	
...3	T0210	AA68-03242Q	MANUAL FLYER-01,SAFETY GUIDE;comm,Samsun	1	S.N.A	
...3	T0175	BN68-00514E	MANUAL FLYER-01,WARRANTY CARD;comm,Samsu	1	S.N.A	
...3		BN68-00907D	MANUAL FLYER-WEEE BATTERY;COMM,SAMSUNG,2	1	S.N.A	
...3	T0511	BN68-01980B	MANUAL USERS;COMM,SAMSUNG,5Langs,N.EUROP	1	S.N.A	

## 5-6. LE22B45\*\*\* Parts List

Level	Location No.	Code No.	Description & Specification	Q'ty	SA/SNA	Remark
		LE22B450C4HXXC	LE22B450C4H,N65B/22AC4-G4C,22,LCD-TV,SPA			
0.1	M0216	BN90-01510A	ASSY STAND;22L450,UO,,,	1	S.N.A	
..2	M0027	BN96-06463F	ASSY STAND P-BASE;22,26L450,ABS+PMMA,HB,	1	S.A	
...3	T0081	6002-001294	SCREW-TAPPING;BH,+,,M4,L16,ZPC(BLK)	4	S.N.A	
...3	BR/STAND B	6003-001239	SCREW-TAPTYPE;FH,+ ,B,M4,L10,ZPC(WHT),SWR	4	S.N.A	
...3		BN61-02954A	BRACKET-STAND BOTTOM;23,26 BORDEAUX PLUS	1	S.N.A	
...3	T0920	BN61-03680C	GUIDE-STAND;22,26L450,ABS,V0(NT),BLK	1	S.N.A	
...3	CCM1	BN63-02183D	COVER-SHEET;RhcM,PE Vinyl,T0.05,680mm,20	0.4	S.N.A	
...3	T0004	BN63-03122A	COVER-STAND BASE;23,26R81,ABS+PMMA,HB,BK	1	S.N.A	
...3	M0126	BN73-00052C	RUBBER-FOOT;LCD TV,CR RUBBER,T2.0 DIA19,	4	S.N.A	
0.1	M0002	BN90-02029C	ASSY COVER REAR;LB450 22	1	S.N.A	
..2	T0081	6002-001294	SCREW-TAPPING;BH,+,,M4,L16,ZPC(BLK)	3	S.N.A	
..2	M0013	BN96-10023C	ASSY COVER P-REAR;LB457 22,EO(HOTEL),HIP	1	S.N.A	
...3	T0069	AA60-00091M	SPACER-FELT;FELT,35X10,BLK,T0.5	4	S.N.A	
...3	T0069	AA63-00099E	SPACER-FELT;L6,FELT,10,BLK,T0.5,20	4	S.N.A	
...3	M0113	BN61-01581A	BRACKET-VESA;BI17/19BS,SECC,T1.0	2	S.N.A	
...3	M0006	BN63-05358C	COVER-REAR;LB450 22,EO(HOTEL),HIPS,V0,BK	1	S.A	
...3	T0071	BN64-00984C	INLAY-TERMINAL;LB450/457,19,22,EO(HOTEL)	1	S.N.A	
...3	T0064	BN65-00002A	CLAMPER CORE;BORDEAUX,LDPE,BLK	1	S.N.A	
0.1	M0019	BN91-03433B	ASSY LCD;LN22B650T6FXZA	1	S.N.A	
..2	M0215	BN07-00620A	LCD-PANEL;V216B1-L01	1	S.A	
0.1	M0112	BN91-03687E	ASSY SHIELD;LE22B450C4HXXC	1	S.N.A	
..2	IP+PANEL	6003-000275	SCREW-TAPTYPE;BH,+ ,B,M3,L10,ZPC(BLK),SWR	3	S.N.A	
..2	M/PCB+PANE	6003-000275	SCREW-TAPTYPE;BH,+ ,B,M3,L10,ZPC(BLK),SWR	4	S.N.A	
..2	BR+H/BOSS	6003-001188	SCREW-TAPTYPE;BH,+,-,B,M4,L10,ZPC(WHT),S	4	S.N.A	
..2	BR/LINK+BR	6003-001188	SCREW-TAPTYPE;BH,+,-,B,M4,L10,ZPC(WHT),S	2	S.N.A	
..2	BR/LINK+H/	6003-001188	SCREW-TAPTYPE;BH,+,-,B,M4,L10,ZPC(WHT),S	2	S.N.A	
..2	GROUND	6003-001439	SCREW-TAPTYPE;BH,+ ,S,M4,L8,ZPC(WHT),SWRC	1	S.N.A	
..2	M0174	BN44-00232A	IP BOARD;IP-54135T,L650,1.4~2.8mA,6.8~8.	1	S.A	
..2	M0115	BN61-02947A	BRACKET-STAND LINK;JASMINE 32",SECC,T1.6	1	S.N.A	
..2		BN63-05259A	COVER-MAIN;EO,ABS+PMMA,HB,BK23,H/GLOSSY	1	S.N.A	
..2	M0251	BN96-02854N	ASSY CABLE P;Finifarina,FLAT CABLE,-,15	1	S.A	
..2	T0447	BN96-10033A	ASSY BRACKET P-PANEL;LB450 22,EO,CMO,SEC	1	S.N.A	
...3	T0212	BN61-04778A	BRACKET-PANEL;B450 22inch,SECC,T0.8	1	S.N.A	
...3	M0131	AA63-01302A	GASKET;HAYDN,Conductive Fabric,4,15,70,G	2	S.N.A	
...3	M0131	BN63-00995A	GASKET;GY17MS,Conductive Fabric,4MM,15MM	2	S.N.A	
...3	M0131	BN63-04079A	GASKET;LE22S86BDX/XEC,Conductive Fabrics	1	S.N.A	
...3	M0114	BN61-02500A	HOLDER-WIRE;NYLON6.6,NATURAL	3	S.N.A	
..2	T0069	BN60-00142B	SPACER-FELT;FELT,L290,T0.8,W20,22" HOTEL	2	S.N.A	
0.1	M0017	BN91-04145C	ASSY CHASSIS;LE22B450C4HXXC	1	S.N.A	
..2	M0014	BN94-02889C	ASSY PCB MAIN;LE22B450C4HXXC	1	S.A	
...3	SUB02	0202-001557	SOLDER-CREAM;LST57-A,D38-63,42SN/57BI/1A	11	S.N.A	
...3	T0245	0202-001608	SOLDER-WIRE FLUX;LFC7-107,D0.8,99.3Sn/0.	0.25	S.N.A	
...3	CN5001	3701-001480	CONNECTOR-DSUB;15P,3R,FEMALE,STAMPED PIN	1	S.A	

5. Exploded View & Part List

Level	Location No.	Code No.	Description & Specification	Q'ty	SA/SNA	Remark
...3	CN906	3707-001081	CONNECTOR-OPTICAL;STRAIGHT,SPDIF	1	S.A	
...3	CN1000_EU	3709-001551	CONNECTOR-CARD SLOT;68P,1.27mm,DIP,AU50U	1	S.A	
...3	CN330	3711-004379	HEADER-BOARD TO CABLE;BOX,4P,1R,2mm,STRA	1	S.A	
...3	CN330	3711-004531	HEADER-BOARD TO CABLE;BOX,10P,1R,2mm,ANG	1	S.A	
...3	CN330	3711-004712	HEADER-BOARD TO CABLE;BOX,9P,1R,2mm,STRA	1	S.N.A	
...3	CN330	3711-006715	HEADER-BOARD TO CABLE;BOX,4P,1R,2.5mm,AN	1	S.N.A	
...3	JA3201_EU	3722-000498	JACK-SCART;21P,SN,BLK	1	S.A	
...3	JA330	3722-001061	JACK-PHONE;1P,3.6PI,AG,BLK,N	1	S.A	
...3	JA330	3722-001061	JACK-PHONE;1P,3.6PI,AG,BLK,N	1	S.A	
...3	CN6001	3722-002516	JACK-USB;4P/1C,AU30U,BLK,STRAIGHT,A TYPE	1	S.A	
...3	JA333	3722-002691	JACK-PIN;2P,Ni,WHT/RED,STRAIGHT	1	S.A	
...3	CN7101_HT	3722-002694	JACK-MODULAR;8P/6C,N,STRAIGHT,N,AU,1PORT	1	S.A	
...3	JA333	3722-002699	JACK-PIN;3P,Ni,YEL/WHT/RED,STRAIGHT	1	S.A	
...3	JA333	3722-002703	JACK-PIN;3P,Ni,GRN/BLU/RED,STRAIGHT	1	S.A	
...3	CIS3	BN40-00137A	TUNER;DNOQ403SH151A(S),DNOQ403SH151A(S),	1	S.A	
...3	HDCP	BN97-00688A	ASSY HDCP;BN46-00018A,PS-42V6S,D73A,GENE	1	S.N.A	
...4		BN46-00018A	KEY CODE-CERTIFICATE;(HDCP KEY)PPM42M5S,	1	S.N.A	
...3	T0174	BN97-03459C	ASSY SMD;LE22B450C4HXXC,BN94-02889C	1	S.N.A	
...4	SUB05	0202-001477	SOLDER-CREAM;LST309-M,D20~45um,96.5Sn/3A	1.607	S.N.A	
...4	D3244	0401-001049	DIODE-SWITCHING;LS4148,75V,150mA,SOD-80,	1	S.A	
...4	D9006	0401-001049	DIODE-SWITCHING;LS4148,75V,150mA,SOD-80,	1	S.A	
...4	D3003_DE	0401-001056	DIODE-SWITCHING;MMBD4148SE,100V,200mA,SO	1	S.A	
...4	D5002	0401-001056	DIODE-SWITCHING;MMBD4148SE,100V,200mA,SO	1	S.A	
...4	D5005	0401-001056	DIODE-SWITCHING;MMBD4148SE,100V,200mA,SO	1	S.A	
...4	D5010	0401-001056	DIODE-SWITCHING;MMBD4148SE,100V,200mA,SO	1	S.A	
...4	D6009	0401-001056	DIODE-SWITCHING;MMBD4148SE,100V,200mA,SO	1	S.A	
...4	D6011	0401-001056	DIODE-SWITCHING;MMBD4148SE,100V,200mA,SO	1	S.A	
...4	D7028	0401-001056	DIODE-SWITCHING;MMBD4148SE,100V,200mA,SO	1	S.A	
...4	D7030	0401-001056	DIODE-SWITCHING;MMBD4148SE,100V,200mA,SO	1	S.A	
...4	D7031	0401-001056	DIODE-SWITCHING;MMBD4148SE,100V,200mA,SO	1	S.A	
...4	D7032	0401-001056	DIODE-SWITCHING;MMBD4148SE,100V,200mA,SO	1	S.A	
...4	D3100_DE	0401-001099	DIODE-SWITCHING;1N4148WS,75V,150mA,SOD-3	1	S.N.A	
...4	D6100	0401-001099	DIODE-SWITCHING;1N4148WS,75V,150mA,SOD-3	1	S.N.A	
...4	D9001	0401-001099	DIODE-SWITCHING;1N4148WS,75V,150mA,SOD-3	1	S.N.A	
...4	D9002	0401-001099	DIODE-SWITCHING;1N4148WS,75V,150mA,SOD-3	1	S.N.A	
...4	D9004	0401-001099	DIODE-SWITCHING;1N4148WS,75V,150mA,SOD-3	1	S.N.A	
...4	D9005	0401-001099	DIODE-SWITCHING;1N4148WS,75V,150mA,SOD-3	1	S.N.A	
...4	D9015	0401-001099	DIODE-SWITCHING;1N4148WS,75V,150mA,SOD-3	1	S.N.A	
...4	D9016	0401-001099	DIODE-SWITCHING;1N4148WS,75V,150mA,SOD-3	1	S.N.A	
...4	D0254	0402-000553	DIODE-SCHOTTKY;SS24/B240,40V,2000mA,DO-2	1	S.A	
...4	D0254	0402-000553	DIODE-SCHOTTKY;SS24/B240,40V,2000mA,DO-2	1	S.A	
...4	D10001	0403-000771	DIODE-ZENER;VLZ6V2B,5.96-6.27V,500mW,SOD	1	S.A	
...4	D4001	0403-000771	DIODE-ZENER;VLZ6V2B,5.96-6.27V,500mW,SOD	1	S.A	
...4	D5001	0403-000771	DIODE-ZENER;VLZ6V2B,5.96-6.27V,500mW,SOD	1	S.A	
...4	D5003	0403-000771	DIODE-ZENER;VLZ6V2B,5.96-6.27V,500mW,SOD	1	S.A	
...4	D5004	0403-000771	DIODE-ZENER;VLZ6V2B,5.96-6.27V,500mW,SOD	1	S.A	
...4	D5006	0403-000771	DIODE-ZENER;VLZ6V2B,5.96-6.27V,500mW,SOD	1	S.A	
...4	D5007	0403-000771	DIODE-ZENER;VLZ6V2B,5.96-6.27V,500mW,SOD	1	S.A	
...4	D5008	0403-000771	DIODE-ZENER;VLZ6V2B,5.96-6.27V,500mW,SOD	1	S.A	
...4	D5009	0403-000771	DIODE-ZENER;VLZ6V2B,5.96-6.27V,500mW,SOD	1	S.A	

## 5. Exploded View &amp; Part List

Level	Location No.	Code No.	Description & Specification	Q'ty	SA/SNA	Remark
...4	D5011	0403-000771	DIODE-ZENER;VLZ6V2B,5.96-6.27V,500mW,SOD	1	S.A	
...4	D5012	0403-000771	DIODE-ZENER;VLZ6V2B,5.96-6.27V,500mW,SOD	1	S.A	
...4	D5013	0403-000771	DIODE-ZENER;VLZ6V2B,5.96-6.27V,500mW,SOD	1	S.A	
...4	D5014	0403-000771	DIODE-ZENER;VLZ6V2B,5.96-6.27V,500mW,SOD	1	S.A	
...4	D5016	0403-000771	DIODE-ZENER;VLZ6V2B,5.96-6.27V,500mW,SOD	1	S.A	
...4	D5017	0403-000771	DIODE-ZENER;VLZ6V2B,5.96-6.27V,500mW,SOD	1	S.A	
...4	D5100_FA	0403-000771	DIODE-ZENER;VLZ6V2B,5.96-6.27V,500mW,SOD	1	S.A	
...4	D5101_FA	0403-000771	DIODE-ZENER;VLZ6V2B,5.96-6.27V,500mW,SOD	1	S.A	
...4	D6001	0403-000771	DIODE-ZENER;VLZ6V2B,5.96-6.27V,500mW,SOD	1	S.A	
...4	D6002	0403-000771	DIODE-ZENER;VLZ6V2B,5.96-6.27V,500mW,SOD	1	S.A	
...4	D6631	0403-000771	DIODE-ZENER;VLZ6V2B,5.96-6.27V,500mW,SOD	1	S.A	
...4	D7004	0403-000771	DIODE-ZENER;VLZ6V2B,5.96-6.27V,500mW,SOD	1	S.A	
...4	D7008	0403-000771	DIODE-ZENER;VLZ6V2B,5.96-6.27V,500mW,SOD	1	S.A	
...4	D7009	0403-000771	DIODE-ZENER;VLZ6V2B,5.96-6.27V,500mW,SOD	1	S.A	
...4	D7012	0403-000771	DIODE-ZENER;VLZ6V2B,5.96-6.27V,500mW,SOD	1	S.A	
...4	D7014	0403-000771	DIODE-ZENER;VLZ6V2B,5.96-6.27V,500mW,SOD	1	S.A	
...4	D7016	0403-000771	DIODE-ZENER;VLZ6V2B,5.96-6.27V,500mW,SOD	1	S.A	
...4	D7100_EU	0403-000771	DIODE-ZENER;VLZ6V2B,5.96-6.27V,500mW,SOD	1	S.A	
...4	D7101_EU	0403-000771	DIODE-ZENER;VLZ6V2B,5.96-6.27V,500mW,SOD	1	S.A	
...4	D7102_EU	0403-000771	DIODE-ZENER;VLZ6V2B,5.96-6.27V,500mW,SOD	1	S.A	
...4	D7103_EU	0403-000771	DIODE-ZENER;VLZ6V2B,5.96-6.27V,500mW,SOD	1	S.A	
...4	D7105	0403-000771	DIODE-ZENER;VLZ6V2B,5.96-6.27V,500mW,SOD	1	S.A	
...4	D7106	0403-000771	DIODE-ZENER;VLZ6V2B,5.96-6.27V,500mW,SOD	1	S.A	
...4	D7116	0403-000771	DIODE-ZENER;VLZ6V2B,5.96-6.27V,500mW,SOD	1	S.A	
...4	D7117_EU	0403-000771	DIODE-ZENER;VLZ6V2B,5.96-6.27V,500mW,SOD	1	S.A	
...4	D7118_EU	0403-000771	DIODE-ZENER;VLZ6V2B,5.96-6.27V,500mW,SOD	1	S.A	
...4	D7202	0403-000771	DIODE-ZENER;VLZ6V2B,5.96-6.27V,500mW,SOD	1	S.A	
...4	D9003	0403-000771	DIODE-ZENER;VLZ6V2B,5.96-6.27V,500mW,SOD	1	S.A	
...4	D0254	0404-001271	DIODE-SCHOTTKY;SSA34,40V,3000mA,SMA,TP	1	S.A	
...4	D6030	0406-001200	DIODE-TVS;RCLAMP0504F,6/-V,150W,SC-70	1	S.A	
...4	D6005	0406-001299	DIODE-TVS;CM1224-04MR,MSOP-10	1	S.A	
...4	D6007	0406-001299	DIODE-TVS;CM1224-04MR,MSOP-10	1	S.A	
...4	D6032	0407-000114	DIODE-ARRAY;-80V,100mA,CA2-3,SOT-23,TP	1	S.N.A	
...4	D6034	0407-000114	DIODE-ARRAY;-80V,100mA,CA2-3,SOT-23,TP	1	S.N.A	
...4	Q1004	0501-000445	TR-SMALL SIGNAL;KTC3875S-Y,NPN,150mW,SOT	1	S.A	
...4	Q1005	0501-000445	TR-SMALL SIGNAL;KTC3875S-Y,NPN,150mW,SOT	1	S.A	
...4	Q1010	0501-000445	TR-SMALL SIGNAL;KTC3875S-Y,NPN,150mW,SOT	1	S.A	
...4	Q1011	0501-000445	TR-SMALL SIGNAL;KTC3875S-Y,NPN,150mW,SOT	1	S.A	
...4	Q1012	0501-000445	TR-SMALL SIGNAL;KTC3875S-Y,NPN,150mW,SOT	1	S.A	
...4	Q1013	0501-000445	TR-SMALL SIGNAL;KTC3875S-Y,NPN,150mW,SOT	1	S.A	
...4	Q3002	0501-000445	TR-SMALL SIGNAL;KTC3875S-Y,NPN,150mW,SOT	1	S.A	
...4	Q3109	0501-000445	TR-SMALL SIGNAL;KTC3875S-Y,NPN,150mW,SOT	1	S.A	
...4	Q4003_ANA	0501-000445	TR-SMALL SIGNAL;KTC3875S-Y,NPN,150mW,SOT	1	S.A	
...4	Q6003	0501-000445	TR-SMALL SIGNAL;KTC3875S-Y,NPN,150mW,SOT	1	S.A	
...4	Q7003	0501-000445	TR-SMALL SIGNAL;KTC3875S-Y,NPN,150mW,SOT	1	S.A	
...4	Q7006	0501-000445	TR-SMALL SIGNAL;KTC3875S-Y,NPN,150mW,SOT	1	S.A	
...4	Q7008	0501-000445	TR-SMALL SIGNAL;KTC3875S-Y,NPN,150mW,SOT	1	S.A	
...4	Q7101_HT2	0501-000445	TR-SMALL SIGNAL;KTC3875S-Y,NPN,150mW,SOT	1	S.A	
...4	Q9005	0501-000445	TR-SMALL SIGNAL;KTC3875S-Y,NPN,150mW,SOT	1	S.A	
...4	Q7005	0501-000669	TR-SMALL SIGNAL;KTA1505Y,PNP,150mW,SOT-2	1	S.A	
...4	Q409	0505-000110	FET-SILICON;2N7002,N,60V,115mA,7.5ohm,0.	1	S.A	

5. Exploded View & Part List

Level	Location No.	Code No.	Description & Specification	Q'ty	SA/SNA	Remark
...4	Q409	0505-000110	FET-SILICON;2N7002,N,60V,115mA,7.5ohm,0.	1	S.A	
...4	Q409	0505-000110	FET-SILICON;2N7002,N,60V,115mA,7.5ohm,0.	1	S.A	
...4	Q409	0505-001170	FET-SILICON;SI9933ADY-T1,P,-20V,3.4A,0.0	1	S.A	
...4	Q409	0505-001170	FET-SILICON;SI9933ADY-T1,P,-20V,3.4A,0.0	1	S.A	
...4	IC104	0801-002198	IC-CMOS LOGIC;74LVC14,INVERTER,SOP,14P,1	1	S.A	
...4	IC104	0801-002779	IC-CMOS LOGIC;74LVC1G125,BUS BUFFER,SOT-	1	S.N.A	
...4	IC8002_HT	1006-001266	IC-LINE TRANSCEIVER;SP3232EEY,TSSOP,16P,	1	S.A	
...4	IC112	1103-000129	IC-EEPROM;24C02,2Kbit,256x8,SOP,8P,5x4mm	1	S.A	
...4	IC112	1103-000129	IC-EEPROM;24C02,2Kbit,256x8,SOP,8P,5x4mm	1	S.A	
...4	IC112	1103-001441	IC-EEPROM;24C1024,1Mbit,128Kx8,SOP,8P,4.	1	S.A	
...4	IC8005	1105-001931	IC-DDR2 SDRAM;K4T51163Q,DDR2-800,512Mbit	1	S.N.A	
...4	IC8006	1105-001931	IC-DDR2 SDRAM;K4T51163Q,DDR2-800,512Mbit	1	S.N.A	
...4	IC115	1107-001777	IC-FLASH MEMORY;MX25L6405DMI-12G,64Mbit,	1	S.A	
...4	T0085	1201-002487	IC-AUDIO AMP;MAX9728A,QFN,12P,3x3mm,DUAL	1	S.A	
...4	T0124	1201-002797	IC-POWER AMP;NTP-3200,QFN,56P,8x8mm,DUAL	1	S.A	
...4	T0085	1201-002849	IC-AUDIO AMP;DRV603,TSSOP,14P,5x4.4mm,DU	1	S.A	
...4	T0087	1203-001815	IC-POSI.FIXED REG.;78M09,TO-252,3P,PLAST	1	S.A	
...4	T0087	1203-002842	IC-POSI.FIXED REG.;AP1117D-33A,TO-252,3P	1	S.A	
...4	IC012	1203-002995	IC-POSI.ADJUST REG.;AP1117D-A,TO-252,3P,	1	S.A	
...4	IC012	1203-002995	IC-POSI.ADJUST REG.;AP1117D-A,TO-252,3P,	1	S.A	
...4	IC3002	1203-004363	IC-VOL. DETECTOR;RT9818C-29PV,SOT-23,3P,	1	S.A	
...4	IC9003	1203-004364	IC-VOL. DETECTOR;RT9818C-42PV,SOT-23,3P,	1	S.A	
...4	IC150	1203-005113	IC-SWITCH REG.;SPN030039Y,MSOP,10P,3x3mm	1	S.A	
...4	IC150	1203-005113	IC-SWITCH REG.;SPN030039Y,MSOP,10P,3x3mm	1	S.A	
...4	T0170	1203-005463	IC-SWITCH VOL. REG.;MIC2605YML,MLF,8P,2x	1	S.A	
...4	IC4010	1204-002999	IC-DECODER;SEMS12-LF,LFBGA,375P,21x21mm,	1	S.A	
...4	IC3007	1205-003201	IC-BUS SWITCH;TC7WB125FK,SSOP,8P,2x2.3mm	1	S.A	
...4	IC5090	1205-003201	IC-BUS SWITCH;TC7WB125FK,SSOP,8P,2x2.3mm	1	S.A	
...4	IC1002	1205-003479	IC-SWITCH;TPS2051BDBVR,SOT-23,5P,2.9x1.6	1	S.A	
...4	IC6500	1205-003479	IC-SWITCH;TPS2051BDBVR,SOT-23,5P,2.9x1.6	1	S.A	
...4	D3236	1405-001233	VARISTOR;30Vdc,5A,1.6x0.8x0.8mm,TP	1	S.A	
...4	D3237	1405-001233	VARISTOR;30Vdc,5A,1.6x0.8x0.8mm,TP	1	S.A	
...4	D3238	1405-001233	VARISTOR;30Vdc,5A,1.6x0.8x0.8mm,TP	1	S.A	
...4	D5015	1405-001233	VARISTOR;30Vdc,5A,1.6x0.8x0.8mm,TP	1	S.A	
...4	D5018	1405-001233	VARISTOR;30Vdc,5A,1.6x0.8x0.8mm,TP	1	S.A	
...4	D5019	1405-001233	VARISTOR;30Vdc,5A,1.6x0.8x0.8mm,TP	1	S.A	
...4	D5020	1405-001233	VARISTOR;30Vdc,5A,1.6x0.8x0.8mm,TP	1	S.A	
...4	D7003_EU	1405-001233	VARISTOR;30Vdc,5A,1.6x0.8x0.8mm,TP	1	S.A	
...4	D7007	1405-001233	VARISTOR;30Vdc,5A,1.6x0.8x0.8mm,TP	1	S.A	
...4	D7010_EU	1405-001233	VARISTOR;30Vdc,5A,1.6x0.8x0.8mm,TP	1	S.A	
...4	D7013	1405-001233	VARISTOR;30Vdc,5A,1.6x0.8x0.8mm,TP	1	S.A	
...4	D7022	1405-001233	VARISTOR;30Vdc,5A,1.6x0.8x0.8mm,TP	1	S.A	
...4	D7024	1405-001233	VARISTOR;30Vdc,5A,1.6x0.8x0.8mm,TP	1	S.A	
...4	D7025	1405-001233	VARISTOR;30Vdc,5A,1.6x0.8x0.8mm,TP	1	S.A	
...4	D7201_HT	1405-001233	VARISTOR;30Vdc,5A,1.6x0.8x0.8mm,TP	1	S.A	
...4	D7203_HT	1405-001233	VARISTOR;30Vdc,5A,1.6x0.8x0.8mm,TP	1	S.A	
...4	D7204_HT	1405-001233	VARISTOR;30Vdc,5A,1.6x0.8x0.8mm,TP	1	S.A	
...4	R1072	2007-000084	R-CHIP;4.7Kohm,5%,1/10W,TP,1608	1	S.A	
...4	R1073	2007-000084	R-CHIP;4.7Kohm,5%,1/10W,TP,1608	1	S.A	
...4	R1011	2007-000090	R-CHIP;10Kohm,5%,1/10W,TP,1608	1	S.A	
...4	R1012	2007-000090	R-CHIP;10Kohm,5%,1/10W,TP,1608	1	S.A	

Level	Location No.	Code No.	Description & Specification	Q'ty	SA/SNA	Remark
...4	R1014	2007-000090	R-CHIP;10Kohm,5%,1/10W,TP,1608	1	S.A	
...4	R1055	2007-000090	R-CHIP;10Kohm,5%,1/10W,TP,1608	1	S.A	
...4	R1060	2007-000090	R-CHIP;10Kohm,5%,1/10W,TP,1608	1	S.A	
...4	R1063	2007-000090	R-CHIP;10Kohm,5%,1/10W,TP,1608	1	S.A	
...4	R1081	2007-000090	R-CHIP;10Kohm,5%,1/10W,TP,1608	1	S.A	
...4	R1201	2007-000090	R-CHIP;10Kohm,5%,1/10W,TP,1608	1	S.A	
...4	R3500	2007-000090	R-CHIP;10Kohm,5%,1/10W,TP,1608	1	S.A	
...4	R3501	2007-000090	R-CHIP;10Kohm,5%,1/10W,TP,1608	1	S.A	
...4	R6800	2007-000090	R-CHIP;10Kohm,5%,1/10W,TP,1608	1	S.A	
...4	R9214_EU	2007-000096	R-CHIP;30Kohm,5%,1/10W,TP,1608	1	S.A	
...4	R9215_EU	2007-000096	R-CHIP;30Kohm,5%,1/10W,TP,1608	1	S.A	
...4	R9218_EU	2007-000096	R-CHIP;30Kohm,5%,1/10W,TP,1608	1	S.A	
...4	R9219_EU	2007-000096	R-CHIP;30Kohm,5%,1/10W,TP,1608	1	S.A	
...4	R1200	2007-000097	R-CHIP;47Kohm,5%,1/10W,TP,1608	1	S.A	
...4	R4592	2007-000121	R-CHIP;820ohm,5%,1/10W,TP,1608	1	S.N.A	
...4	R1302	2007-000122	R-CHIP;1.2Kohm,5%,1/10W,TP,1608	1	S.N.A	
...4	R1303	2007-000122	R-CHIP;1.2Kohm,5%,1/10W,TP,1608	1	S.N.A	
...4	R10003_EU	2007-000138	R-CHIP;100ohm,5%,1/16W,TP,1005	1	S.N.A	
...4	R10134_EU	2007-000138	R-CHIP;100ohm,5%,1/16W,TP,1005	1	S.N.A	
...4	R3010	2007-000138	R-CHIP;100ohm,5%,1/16W,TP,1005	1	S.N.A	
...4	R3018	2007-000138	R-CHIP;100ohm,5%,1/16W,TP,1005	1	S.N.A	
...4	R3021	2007-000138	R-CHIP;100ohm,5%,1/16W,TP,1005	1	S.N.A	
...4	R3046	2007-000138	R-CHIP;100ohm,5%,1/16W,TP,1005	1	S.N.A	
...4	R3200_DE	2007-000138	R-CHIP;100ohm,5%,1/16W,TP,1005	1	S.N.A	
...4	R3210	2007-000138	R-CHIP;100ohm,5%,1/16W,TP,1005	1	S.N.A	
...4	R3292	2007-000138	R-CHIP;100ohm,5%,1/16W,TP,1005	1	S.N.A	
...4	R4036	2007-000138	R-CHIP;100ohm,5%,1/16W,TP,1005	1	S.N.A	
...4	R4050_EU	2007-000138	R-CHIP;100ohm,5%,1/16W,TP,1005	1	S.N.A	
...4	R4051_EU	2007-000138	R-CHIP;100ohm,5%,1/16W,TP,1005	1	S.N.A	
...4	R4301	2007-000138	R-CHIP;100ohm,5%,1/16W,TP,1005	1	S.N.A	
...4	R4302	2007-000138	R-CHIP;100ohm,5%,1/16W,TP,1005	1	S.N.A	
...4	R4640_NON_	2007-000138	R-CHIP;100ohm,5%,1/16W,TP,1005	1	S.N.A	
...4	R5003	2007-000138	R-CHIP;100ohm,5%,1/16W,TP,1005	1	S.N.A	
...4	R5005	2007-000138	R-CHIP;100ohm,5%,1/16W,TP,1005	1	S.N.A	
...4	R5006	2007-000138	R-CHIP;100ohm,5%,1/16W,TP,1005	1	S.N.A	
...4	R5022	2007-000138	R-CHIP;100ohm,5%,1/16W,TP,1005	1	S.N.A	
...4	R5023	2007-000138	R-CHIP;100ohm,5%,1/16W,TP,1005	1	S.N.A	
...4	R5042	2007-000138	R-CHIP;100ohm,5%,1/16W,TP,1005	1	S.N.A	
...4	R7022_EU	2007-000138	R-CHIP;100ohm,5%,1/16W,TP,1005	1	S.N.A	
...4	R7024_EU	2007-000138	R-CHIP;100ohm,5%,1/16W,TP,1005	1	S.N.A	
...4	R7100_HT	2007-000138	R-CHIP;100ohm,5%,1/16W,TP,1005	1	S.N.A	
...4	R7101_HT	2007-000138	R-CHIP;100ohm,5%,1/16W,TP,1005	1	S.N.A	
...4	R9177	2007-000138	R-CHIP;100ohm,5%,1/16W,TP,1005	1	S.N.A	
...4	R3110	2007-000140	R-CHIP;1Kohm,5%,1/16W,TP,1005	1	S.N.A	
...4	R3293	2007-000140	R-CHIP;1Kohm,5%,1/16W,TP,1005	1	S.N.A	
...4	R3294	2007-000140	R-CHIP;1Kohm,5%,1/16W,TP,1005	1	S.N.A	
...4	R6012	2007-000140	R-CHIP;1Kohm,5%,1/16W,TP,1005	1	S.N.A	
...4	R7104_HT2	2007-000140	R-CHIP;1Kohm,5%,1/16W,TP,1005	1	S.N.A	
...4	R3100	2007-000141	R-CHIP;2.2Kohm,5%,1/16W,TP,1005	1	S.N.A	
...4	R4076	2007-000141	R-CHIP;2.2Kohm,5%,1/16W,TP,1005	1	S.N.A	
...4	R4082	2007-000141	R-CHIP;2.2Kohm,5%,1/16W,TP,1005	1	S.N.A	

5. Exploded View & Part List

Level	Location No.	Code No.	Description & Specification	Q'ty	SA/SNA	Remark
...4	R5019	2007-000141	R-CHIP;2.2Kohm,5%,1/16W,TP,1005	1	S.N.A	
...4	R5020	2007-000141	R-CHIP;2.2Kohm,5%,1/16W,TP,1005	1	S.N.A	
...4	R7103_HT2	2007-000141	R-CHIP;2.2Kohm,5%,1/16W,TP,1005	1	S.N.A	
...4	R1057	2007-000143	R-CHIP;4.7Kohm,5%,1/16W,TP,1005	1	S.N.A	
...4	R1071_22	2007-000143	R-CHIP;4.7Kohm,5%,1/16W,TP,1005	1	S.N.A	
...4	R3052	2007-000143	R-CHIP;4.7Kohm,5%,1/16W,TP,1005	1	S.N.A	
...4	R3101	2007-000143	R-CHIP;4.7Kohm,5%,1/16W,TP,1005	1	S.N.A	
...4	R3102	2007-000143	R-CHIP;4.7Kohm,5%,1/16W,TP,1005	1	S.N.A	
...4	R3103	2007-000143	R-CHIP;4.7Kohm,5%,1/16W,TP,1005	1	S.N.A	
...4	R3108	2007-000143	R-CHIP;4.7Kohm,5%,1/16W,TP,1005	1	S.N.A	
...4	R4666_HD	2007-000143	R-CHIP;4.7Kohm,5%,1/16W,TP,1005	1	S.N.A	
...4	R4668_2DDR	2007-000143	R-CHIP;4.7Kohm,5%,1/16W,TP,1005	1	S.N.A	
...4	R5090	2007-000143	R-CHIP;4.7Kohm,5%,1/16W,TP,1005	1	S.N.A	
...4	R6017	2007-000143	R-CHIP;4.7Kohm,5%,1/16W,TP,1005	1	S.N.A	
...4	R6064	2007-000143	R-CHIP;4.7Kohm,5%,1/16W,TP,1005	1	S.N.A	
...4	R7079	2007-000143	R-CHIP;4.7Kohm,5%,1/16W,TP,1005	1	S.N.A	
...4	R7086	2007-000143	R-CHIP;4.7Kohm,5%,1/16W,TP,1005	1	S.N.A	
...4	R9028	2007-000143	R-CHIP;4.7Kohm,5%,1/16W,TP,1005	1	S.N.A	
...4	R9030	2007-000143	R-CHIP;4.7Kohm,5%,1/16W,TP,1005	1	S.N.A	
...4	R9031	2007-000143	R-CHIP;4.7Kohm,5%,1/16W,TP,1005	1	S.N.A	
...4	R9032	2007-000143	R-CHIP;4.7Kohm,5%,1/16W,TP,1005	1	S.N.A	
...4	R9033	2007-000143	R-CHIP;4.7Kohm,5%,1/16W,TP,1005	1	S.N.A	
...4	R7019	2007-000146	R-CHIP;6.8Kohm,5%,1/16W,TP,1005	1	S.N.A	
...4	R10007_EU	2007-000148	R-CHIP;10Kohm,5%,1/16W,TP,1005	1	S.N.A	
...4	R10008_EU	2007-000148	R-CHIP;10Kohm,5%,1/16W,TP,1005	1	S.N.A	
...4	R10031_EU	2007-000148	R-CHIP;10Kohm,5%,1/16W,TP,1005	1	S.N.A	
...4	R10032_EU	2007-000148	R-CHIP;10Kohm,5%,1/16W,TP,1005	1	S.N.A	
...4	R10101_EU	2007-000148	R-CHIP;10Kohm,5%,1/16W,TP,1005	1	S.N.A	
...4	R10121_EU	2007-000148	R-CHIP;10Kohm,5%,1/16W,TP,1005	1	S.N.A	
...4	R10122_EU	2007-000148	R-CHIP;10Kohm,5%,1/16W,TP,1005	1	S.N.A	
...4	R10135_EU	2007-000148	R-CHIP;10Kohm,5%,1/16W,TP,1005	1	S.N.A	
...4	R10136	2007-000148	R-CHIP;10Kohm,5%,1/16W,TP,1005	1	S.N.A	
...4	R10200	2007-000148	R-CHIP;10Kohm,5%,1/16W,TP,1005	1	S.N.A	
...4	R11089	2007-000148	R-CHIP;10Kohm,5%,1/16W,TP,1005	1	S.N.A	
...4	R3014	2007-000148	R-CHIP;10Kohm,5%,1/16W,TP,1005	1	S.N.A	
...4	R3015	2007-000148	R-CHIP;10Kohm,5%,1/16W,TP,1005	1	S.N.A	
...4	R3051	2007-000148	R-CHIP;10Kohm,5%,1/16W,TP,1005	1	S.N.A	
...4	R3059	2007-000148	R-CHIP;10Kohm,5%,1/16W,TP,1005	1	S.N.A	
...4	R3060	2007-000148	R-CHIP;10Kohm,5%,1/16W,TP,1005	1	S.N.A	
...4	R3066	2007-000148	R-CHIP;10Kohm,5%,1/16W,TP,1005	1	S.N.A	
...4	R3160	2007-000148	R-CHIP;10Kohm,5%,1/16W,TP,1005	1	S.N.A	
...4	R3410	2007-000148	R-CHIP;10Kohm,5%,1/16W,TP,1005	1	S.N.A	
...4	R4081	2007-000148	R-CHIP;10Kohm,5%,1/16W,TP,1005	1	S.N.A	
...4	R4104_ANA	2007-000148	R-CHIP;10Kohm,5%,1/16W,TP,1005	1	S.N.A	
...4	R4106_ANA	2007-000148	R-CHIP;10Kohm,5%,1/16W,TP,1005	1	S.N.A	
...4	R4130	2007-000148	R-CHIP;10Kohm,5%,1/16W,TP,1005	1	S.N.A	
...4	R4140	2007-000148	R-CHIP;10Kohm,5%,1/16W,TP,1005	1	S.N.A	
...4	R4200_ANA	2007-000148	R-CHIP;10Kohm,5%,1/16W,TP,1005	1	S.N.A	
...4	R4475	2007-000148	R-CHIP;10Kohm,5%,1/16W,TP,1005	1	S.N.A	
...4	R4484	2007-000148	R-CHIP;10Kohm,5%,1/16W,TP,1005	1	S.N.A	
...4	R4489	2007-000148	R-CHIP;10Kohm,5%,1/16W,TP,1005	1	S.N.A	



## 5. Exploded View &amp; Part List

Level	Location No.	Code No.	Description & Specification	Q'ty	SA/SNA	Remark
...4	R4490	2007-000148	R-CHIP;10Kohm,5%,1/16W,TP,1005	1	S.N.A	
...4	R4491	2007-000148	R-CHIP;10Kohm,5%,1/16W,TP,1005	1	S.N.A	
...4	R4541	2007-000148	R-CHIP;10Kohm,5%,1/16W,TP,1005	1	S.N.A	
...4	R4544	2007-000148	R-CHIP;10Kohm,5%,1/16W,TP,1005	1	S.N.A	
...4	R4626	2007-000148	R-CHIP;10Kohm,5%,1/16W,TP,1005	1	S.N.A	
...4	R4627	2007-000148	R-CHIP;10Kohm,5%,1/16W,TP,1005	1	S.N.A	
...4	R5017	2007-000148	R-CHIP;10Kohm,5%,1/16W,TP,1005	1	S.N.A	
...4	R5018	2007-000148	R-CHIP;10Kohm,5%,1/16W,TP,1005	1	S.N.A	
...4	R5024	2007-000148	R-CHIP;10Kohm,5%,1/16W,TP,1005	1	S.N.A	
...4	R5025	2007-000148	R-CHIP;10Kohm,5%,1/16W,TP,1005	1	S.N.A	
...4	R5068	2007-000148	R-CHIP;10Kohm,5%,1/16W,TP,1005	1	S.N.A	
...4	R6026	2007-000148	R-CHIP;10Kohm,5%,1/16W,TP,1005	1	S.N.A	
...4	R6028	2007-000148	R-CHIP;10Kohm,5%,1/16W,TP,1005	1	S.N.A	
...4	R6029	2007-000148	R-CHIP;10Kohm,5%,1/16W,TP,1005	1	S.N.A	
...4	R6065	2007-000148	R-CHIP;10Kohm,5%,1/16W,TP,1005	1	S.N.A	
...4	R7023	2007-000148	R-CHIP;10Kohm,5%,1/16W,TP,1005	1	S.N.A	
...4	R7025	2007-000148	R-CHIP;10Kohm,5%,1/16W,TP,1005	1	S.N.A	
...4	R7039	2007-000148	R-CHIP;10Kohm,5%,1/16W,TP,1005	1	S.N.A	
...4	R7063	2007-000148	R-CHIP;10Kohm,5%,1/16W,TP,1005	1	S.N.A	
...4	R7064	2007-000148	R-CHIP;10Kohm,5%,1/16W,TP,1005	1	S.N.A	
...4	R8038_HT	2007-000148	R-CHIP;10Kohm,5%,1/16W,TP,1005	1	S.N.A	
...4	R8039_HT	2007-000148	R-CHIP;10Kohm,5%,1/16W,TP,1005	1	S.N.A	
...4	R9019	2007-000148	R-CHIP;10Kohm,5%,1/16W,TP,1005	1	S.N.A	
...4	R9025	2007-000148	R-CHIP;10Kohm,5%,1/16W,TP,1005	1	S.N.A	
...4	R9216_EU	2007-000148	R-CHIP;10Kohm,5%,1/16W,TP,1005	1	S.N.A	
...4	R9217_EU	2007-000148	R-CHIP;10Kohm,5%,1/16W,TP,1005	1	S.N.A	
...4	R9001	2007-000149	R-CHIP;12Kohm,5%,1/16W,TP,1005	1	S.A	
...4	R9002	2007-000149	R-CHIP;12Kohm,5%,1/16W,TP,1005	1	S.A	
...4	R7058	2007-000151	R-CHIP;15Kohm,5%,1/16W,TP,1005	1	S.N.A	
...4	R1051	2007-000153	R-CHIP;22Kohm,5%,1/16W,TP,1005	1	S.N.A	
...4	R1052	2007-000153	R-CHIP;22Kohm,5%,1/16W,TP,1005	1	S.N.A	
...4	R1056	2007-000153	R-CHIP;22Kohm,5%,1/16W,TP,1005	1	S.N.A	
...4	R1061	2007-000153	R-CHIP;22Kohm,5%,1/16W,TP,1005	1	S.N.A	
...4	R4477_EU	2007-000153	R-CHIP;22Kohm,5%,1/16W,TP,1005	1	S.N.A	
...4	R4555	2007-000153	R-CHIP;22Kohm,5%,1/16W,TP,1005	1	S.N.A	
...4	R4556	2007-000153	R-CHIP;22Kohm,5%,1/16W,TP,1005	1	S.N.A	
...4	R4568_EU	2007-000153	R-CHIP;22Kohm,5%,1/16W,TP,1005	1	S.N.A	
...4	R7057	2007-000153	R-CHIP;22Kohm,5%,1/16W,TP,1005	1	S.N.A	
...4	R3004_DE	2007-000155	R-CHIP;27Kohm,5%,1/16W,TP,1005	1	S.N.A	
...4	R1010	2007-000157	R-CHIP;47Kohm,5%,1/16W,TP,1005	1	S.N.A	
...4	R1064	2007-000157	R-CHIP;47Kohm,5%,1/16W,TP,1005	1	S.N.A	
...4	R7007_EU	2007-000157	R-CHIP;47Kohm,5%,1/16W,TP,1005	1	S.N.A	
...4	R7009_EU	2007-000157	R-CHIP;47Kohm,5%,1/16W,TP,1005	1	S.N.A	
...4	R4045	2007-000170	R-CHIP;1Mohm,5%,1/16W,TP,1005	1	S.N.A	
...4	R11118_JEI	2007-000171	R-CHIP;0ohm,5%,1/16W,TP,1005	1	S.N.A	
...4	R11126	2007-000171	R-CHIP;0ohm,5%,1/16W,TP,1005	1	S.N.A	
...4	R11127	2007-000171	R-CHIP;0ohm,5%,1/16W,TP,1005	1	S.N.A	
...4	R1301_ANA	2007-000171	R-CHIP;0ohm,5%,1/16W,TP,1005	1	S.N.A	
...4	R4700	2007-000171	R-CHIP;0ohm,5%,1/16W,TP,1005	1	S.N.A	
...4	R4701	2007-000171	R-CHIP;0ohm,5%,1/16W,TP,1005	1	S.N.A	
...4	R4702	2007-000171	R-CHIP;0ohm,5%,1/16W,TP,1005	1	S.N.A	

5. Exploded View & Part List

Level	Location No.	Code No.	Description & Specification	Q'ty	SA/SNA	Remark
...4	R4703	2007-000171	R-CHIP;0ohm,5%,1/16W,TP,1005	1	S.N.A	
...4	R5910_FA	2007-000171	R-CHIP;0ohm,5%,1/16W,TP,1005	1	S.N.A	
...4	R5911_FA	2007-000171	R-CHIP;0ohm,5%,1/16W,TP,1005	1	S.N.A	
...4	R7110	2007-000171	R-CHIP;0ohm,5%,1/16W,TP,1005	1	S.N.A	
...4	R6016	2007-000172	R-CHIP;10ohm,5%,1/16W,TP,1005	1	S.N.A	
...4	R8306	2007-000173	R-CHIP;22ohm,5%,1/16W,TP,1005	1	S.N.A	
...4	R8307	2007-000173	R-CHIP;22ohm,5%,1/16W,TP,1005	1	S.N.A	
...4	R8323	2007-000173	R-CHIP;22ohm,5%,1/16W,TP,1005	1	S.N.A	
...4	R8325	2007-000173	R-CHIP;22ohm,5%,1/16W,TP,1005	1	S.N.A	
...4	R8326	2007-000173	R-CHIP;22ohm,5%,1/16W,TP,1005	1	S.N.A	
...4	R8333	2007-000173	R-CHIP;22ohm,5%,1/16W,TP,1005	1	S.N.A	
...4	R8335	2007-000173	R-CHIP;22ohm,5%,1/16W,TP,1005	1	S.N.A	
...4	R8336	2007-000173	R-CHIP;22ohm,5%,1/16W,TP,1005	1	S.N.A	
...4	R8349	2007-000173	R-CHIP;22ohm,5%,1/16W,TP,1005	1	S.N.A	
...4	R8355	2007-000173	R-CHIP;22ohm,5%,1/16W,TP,1005	1	S.N.A	
...4	R8357	2007-000173	R-CHIP;22ohm,5%,1/16W,TP,1005	1	S.N.A	
...4	R8358	2007-000173	R-CHIP;22ohm,5%,1/16W,TP,1005	1	S.N.A	
...4	R8404	2007-000173	R-CHIP;22ohm,5%,1/16W,TP,1005	1	S.N.A	
...4	R8430	2007-000173	R-CHIP;22ohm,5%,1/16W,TP,1005	1	S.N.A	
...4	R8438	2007-000173	R-CHIP;22ohm,5%,1/16W,TP,1005	1	S.N.A	
...4	R8496	2007-000173	R-CHIP;22ohm,5%,1/16W,TP,1005	1	S.N.A	
...4	R8638	2007-000173	R-CHIP;22ohm,5%,1/16W,TP,1005	1	S.N.A	
...4	R3290	2007-000174	R-CHIP;47ohm,5%,1/16W,TP,1005	1	S.N.A	
...4	R3291	2007-000174	R-CHIP;47ohm,5%,1/16W,TP,1005	1	S.N.A	
...4	R3402	2007-000174	R-CHIP;47ohm,5%,1/16W,TP,1005	1	S.N.A	
...4	R3403	2007-000174	R-CHIP;47ohm,5%,1/16W,TP,1005	1	S.N.A	
...4	R4005	2007-000174	R-CHIP;47ohm,5%,1/16W,TP,1005	1	S.N.A	
...4	R4006	2007-000174	R-CHIP;47ohm,5%,1/16W,TP,1005	1	S.N.A	
...4	R4017	2007-000174	R-CHIP;47ohm,5%,1/16W,TP,1005	1	S.N.A	
...4	R4021	2007-000174	R-CHIP;47ohm,5%,1/16W,TP,1005	1	S.N.A	
...4	R4022	2007-000174	R-CHIP;47ohm,5%,1/16W,TP,1005	1	S.N.A	
...4	R4590	2007-000174	R-CHIP;47ohm,5%,1/16W,TP,1005	1	S.N.A	
...4	R4591	2007-000174	R-CHIP;47ohm,5%,1/16W,TP,1005	1	S.N.A	
...4	R5015	2007-000174	R-CHIP;47ohm,5%,1/16W,TP,1005	1	S.N.A	
...4	R5016	2007-000174	R-CHIP;47ohm,5%,1/16W,TP,1005	1	S.N.A	
...4	R5028	2007-000174	R-CHIP;47ohm,5%,1/16W,TP,1005	1	S.N.A	
...4	R5029	2007-000174	R-CHIP;47ohm,5%,1/16W,TP,1005	1	S.N.A	
...4	R5031	2007-000174	R-CHIP;47ohm,5%,1/16W,TP,1005	1	S.N.A	
...4	R5055	2007-000174	R-CHIP;47ohm,5%,1/16W,TP,1005	1	S.N.A	
...4	R5056	2007-000174	R-CHIP;47ohm,5%,1/16W,TP,1005	1	S.N.A	
...4	R6034	2007-000174	R-CHIP;47ohm,5%,1/16W,TP,1005	1	S.N.A	
...4	R6035	2007-000174	R-CHIP;47ohm,5%,1/16W,TP,1005	1	S.N.A	
...4	R7034	2007-000174	R-CHIP;47ohm,5%,1/16W,TP,1005	1	S.N.A	
...4	R7035	2007-000174	R-CHIP;47ohm,5%,1/16W,TP,1005	1	S.N.A	
...4	R7036	2007-000174	R-CHIP;47ohm,5%,1/16W,TP,1005	1	S.N.A	
...4	R1075_22	2007-000242	R-CHIP;1.5Kohm,5%,1/16W,TP,1005	1	S.N.A	
...4	R5064	2007-000640	R-CHIP;270ohm,1%,1/10W,TP,1608	1	S.A	
...4	R5067	2007-000640	R-CHIP;270ohm,1%,1/10W,TP,1608	1	S.A	
...4	R1083	2007-000695	R-CHIP;3.3ohm,5%,1/10W,TP,1608	1	S.A	
...4	R1203	2007-000695	R-CHIP;3.3ohm,5%,1/10W,TP,1608	1	S.A	
...4	R9020	2007-000695	R-CHIP;3.3ohm,5%,1/10W,TP,1608	1	S.A	

## 5. Exploded View &amp; Part List

Level	Location No.	Code No.	Description & Specification	Q'ty	SA/SNA	Remark
....4	R9021	2007-000695	R-CHIP;3.3ohm,5%,1/10W,TP,1608	1	S.A	
....4	R9022	2007-000695	R-CHIP;3.3ohm,5%,1/10W,TP,1608	1	S.A	
....4	R9023	2007-000695	R-CHIP;3.3ohm,5%,1/10W,TP,1608	1	S.A	
....4	R5571	2007-000763	R-CHIP;330ohm,1%,1/10W,TP,1608	1	S.N.A	
....4	R1205	2007-000772	R-CHIP;33Kohm,1%,1/10W,TP,1608	1	S.A	
....4	R4587	2007-000821	R-CHIP;390ohm,1%,1/10W,TP,1608	1	S.N.A	
....4	R1013	2007-000869	R-CHIP;4.7Kohm,1%,1/10W,TP,1608	1	S.N.A	
....4	R5087	2007-000932	R-CHIP;470ohm,5%,1/16W,TP,1005	1	S.N.A	
....4	R7043	2007-000932	R-CHIP;470ohm,5%,1/16W,TP,1005	1	S.N.A	
....4	R7077	2007-000932	R-CHIP;470ohm,5%,1/16W,TP,1005	1	S.N.A	
....4	R9080	2007-000932	R-CHIP;470ohm,5%,1/16W,TP,1005	1	S.N.A	
....4	R9931_EU	2007-000932	R-CHIP;470ohm,5%,1/16W,TP,1005	1	S.N.A	
....4	R9932_EU	2007-000932	R-CHIP;470ohm,5%,1/16W,TP,1005	1	S.N.A	
....4	R3404_DE	2007-001038	R-CHIP;56Kohm,1%,1/10W,TP,1608	1	S.A	
....4	R7054	2007-001217	R-CHIP;82ohm,5%,1/16W,TP,1005	1	S.N.A	
....4	R6055	2007-001285	R-CHIP;5.6ohm,5%,1/16W,TP,1005	1	S.A	
....4	R6056	2007-001285	R-CHIP;5.6ohm,5%,1/16W,TP,1005	1	S.A	
....4	R4132	2007-001292	R-CHIP;33ohm,5%,1/16W,TP,1005	1	S.N.A	
....4	R4133	2007-001292	R-CHIP;33ohm,5%,1/16W,TP,1005	1	S.N.A	
....4	R4134	2007-001292	R-CHIP;33ohm,5%,1/16W,TP,1005	1	S.N.A	
....4	R4142	2007-001292	R-CHIP;33ohm,5%,1/16W,TP,1005	1	S.N.A	
....4	R4143	2007-001292	R-CHIP;33ohm,5%,1/16W,TP,1005	1	S.N.A	
....4	R4144	2007-001292	R-CHIP;33ohm,5%,1/16W,TP,1005	1	S.N.A	
....4	R4401	2007-001292	R-CHIP;33ohm,5%,1/16W,TP,1005	1	S.N.A	
....4	R4402	2007-001292	R-CHIP;33ohm,5%,1/16W,TP,1005	1	S.N.A	
....4	R4403	2007-001292	R-CHIP;33ohm,5%,1/16W,TP,1005	1	S.N.A	
....4	R4404	2007-001292	R-CHIP;33ohm,5%,1/16W,TP,1005	1	S.N.A	
....4	R4405	2007-001292	R-CHIP;33ohm,5%,1/16W,TP,1005	1	S.N.A	
....4	R4406	2007-001292	R-CHIP;33ohm,5%,1/16W,TP,1005	1	S.N.A	
....4	R4407	2007-001292	R-CHIP;33ohm,5%,1/16W,TP,1005	1	S.N.A	
....4	R4408	2007-001292	R-CHIP;33ohm,5%,1/16W,TP,1005	1	S.N.A	
....4	R4409	2007-001292	R-CHIP;33ohm,5%,1/16W,TP,1005	1	S.N.A	
....4	R4410	2007-001292	R-CHIP;33ohm,5%,1/16W,TP,1005	1	S.N.A	
....4	R4411	2007-001292	R-CHIP;33ohm,5%,1/16W,TP,1005	1	S.N.A	
....4	R4412	2007-001292	R-CHIP;33ohm,5%,1/16W,TP,1005	1	S.N.A	
....4	R7055	2007-001298	R-CHIP;51ohm,5%,1/16W,TP,1005	1	S.N.A	
....4	R8017	2007-001306	R-CHIP;150ohm,5%,1/16W,TP,1005	1	S.A	
....4	R8117	2007-001306	R-CHIP;150ohm,5%,1/16W,TP,1005	1	S.A	
....4	R5013	2007-001325	R-CHIP;3.3Kohm,5%,1/16W,TP,1005	1	S.N.A	
....4	R5014	2007-001325	R-CHIP;3.3Kohm,5%,1/16W,TP,1005	1	S.N.A	
....4	R9079	2007-001325	R-CHIP;3.3Kohm,5%,1/16W,TP,1005	1	S.N.A	
....4	R5021	2007-001333	R-CHIP;18Kohm,5%,1/16W,TP,1005	1	S.N.A	
....4	R5026	2007-001333	R-CHIP;18Kohm,5%,1/16W,TP,1005	1	S.N.A	
....4	R5027	2007-001333	R-CHIP;18Kohm,5%,1/16W,TP,1005	1	S.N.A	
....4	R5034	2007-001333	R-CHIP;18Kohm,5%,1/16W,TP,1005	1	S.N.A	
....4	R7011_EU	2007-001333	R-CHIP;18Kohm,5%,1/16W,TP,1005	1	S.N.A	
....4	R7030	2007-001333	R-CHIP;18Kohm,5%,1/16W,TP,1005	1	S.N.A	
....4	R7032	2007-001333	R-CHIP;18Kohm,5%,1/16W,TP,1005	1	S.N.A	
....4	R7067	2007-001333	R-CHIP;18Kohm,5%,1/16W,TP,1005	1	S.N.A	
....4	R7068	2007-001333	R-CHIP;18Kohm,5%,1/16W,TP,1005	1	S.N.A	
....4	R1022	2007-002425	R-CHIP;1ohm,5%,1/10W,TP,1608	1	S.N.A	

5. Exploded View & Part List

Level	Location No.	Code No.	Description & Specification	Q'ty	SA/SNA	Remark
...4	R1015	2007-002899	R-CHIP;10ohm,1%,1/10W,TP,1608	1	S.A	
...4	R1202	2007-002899	R-CHIP;10ohm,1%,1/10W,TP,1608	1	S.A	
...4	R1082	2007-002900	R-CHIP;11Kohm,1%,1/10W,TP,1608	1	S.A	
...4	R5043	2007-002906	R-CHIP;200Kohm,1%,1/10W,TP,1608	1	S.A	
...4	R6001	2007-002906	R-CHIP;200Kohm,1%,1/10W,TP,1608	1	S.A	
...4	R10011_EU	2007-007009	R-CHIP;75ohm,5%,1/16W,TP,1005	1	S.N.A	
...4	R10012_EU	2007-007009	R-CHIP;75ohm,5%,1/16W,TP,1005	1	S.N.A	
...4	R10013_EU	2007-007009	R-CHIP;75ohm,5%,1/16W,TP,1005	1	S.N.A	
...4	R10123_EU	2007-007009	R-CHIP;75ohm,5%,1/16W,TP,1005	1	S.N.A	
...4	R10124_EU	2007-007009	R-CHIP;75ohm,5%,1/16W,TP,1005	1	S.N.A	
...4	R10125_EU	2007-007009	R-CHIP;75ohm,5%,1/16W,TP,1005	1	S.N.A	
...4	R5004	2007-007009	R-CHIP;75ohm,5%,1/16W,TP,1005	1	S.N.A	
...4	R5008	2007-007009	R-CHIP;75ohm,5%,1/16W,TP,1005	1	S.N.A	
...4	R5009	2007-007009	R-CHIP;75ohm,5%,1/16W,TP,1005	1	S.N.A	
...4	R5010	2007-007009	R-CHIP;75ohm,5%,1/16W,TP,1005	1	S.N.A	
...4	R5011	2007-007009	R-CHIP;75ohm,5%,1/16W,TP,1005	1	S.N.A	
...4	R5012	2007-007009	R-CHIP;75ohm,5%,1/16W,TP,1005	1	S.N.A	
...4	R5044	2007-007009	R-CHIP;75ohm,5%,1/16W,TP,1005	1	S.N.A	
...4	R7001_EU	2007-007009	R-CHIP;75ohm,5%,1/16W,TP,1005	1	S.N.A	
...4	R7010	2007-007009	R-CHIP;75ohm,5%,1/16W,TP,1005	1	S.N.A	
...4	R7012_EU	2007-007009	R-CHIP;75ohm,5%,1/16W,TP,1005	1	S.N.A	
...4	R7014	2007-007009	R-CHIP;75ohm,5%,1/16W,TP,1005	1	S.N.A	
...4	R7015	2007-007009	R-CHIP;75ohm,5%,1/16W,TP,1005	1	S.N.A	
...4	R7020_EU	2007-007009	R-CHIP;75ohm,5%,1/16W,TP,1005	1	S.N.A	
...4	R7056	2007-007009	R-CHIP;75ohm,5%,1/16W,TP,1005	1	S.N.A	
...4	R4594	2007-007107	R-CHIP;100Kohm,1%,1/16W,TP,1005	1	S.N.A	
...4	R5046	2007-007107	R-CHIP;100Kohm,1%,1/16W,TP,1005	1	S.N.A	
...4	R9016	2007-007107	R-CHIP;100Kohm,1%,1/16W,TP,1005	1	S.N.A	
...4	R9017	2007-007107	R-CHIP;100Kohm,1%,1/16W,TP,1005	1	S.N.A	
...4	R9930_EU	2007-007107	R-CHIP;100Kohm,1%,1/16W,TP,1005	1	S.N.A	
...4	R9933_EU	2007-007107	R-CHIP;100Kohm,1%,1/16W,TP,1005	1	S.N.A	
...4	R1204	2007-007142	R-CHIP;10Kohm,1%,1/16W,TP,1005	1	S.N.A	
...4	R2016	2007-007142	R-CHIP;10Kohm,1%,1/16W,TP,1005	1	S.N.A	
...4	R4095	2007-007142	R-CHIP;10Kohm,1%,1/16W,TP,1005	1	S.N.A	
...4	R4352	2007-007142	R-CHIP;10Kohm,1%,1/16W,TP,1005	1	S.N.A	
...4	R2037	2007-007156	R-CHIP;1ohm,5%,1/16W,TP,1005	1	S.N.A	
...4	R5899	2007-007156	R-CHIP;1ohm,5%,1/16W,TP,1005	1	S.N.A	
...4	R5570	2007-007297	R-CHIP;110ohm,1%,1/10W,TP,1608	1	S.A	
...4	R4105_ANA	2007-007318	R-CHIP;1Kohm,1%,1/16W,TP,1005	1	S.N.A	
...4	R4316	2007-007318	R-CHIP;1Kohm,1%,1/16W,TP,1005	1	S.N.A	
...4	R8329	2007-007318	R-CHIP;1Kohm,1%,1/16W,TP,1005	1	S.N.A	
...4	R8330	2007-007318	R-CHIP;1Kohm,1%,1/16W,TP,1005	1	S.N.A	
...4	R8363	2007-007318	R-CHIP;1Kohm,1%,1/16W,TP,1005	1	S.N.A	
...4	R8364	2007-007318	R-CHIP;1Kohm,1%,1/16W,TP,1005	1	S.N.A	
...4	R9190	2007-007318	R-CHIP;1Kohm,1%,1/16W,TP,1005	1	S.N.A	
...4	R2022	2007-007319	R-CHIP;390ohm,1%,1/16W,TP,1005	1	S.N.A	
...4	R2027	2007-007650	R-CHIP;274ohm,1%,1/10W,TP,1608	1	S.A	
...4	R2026	2007-007721	R-CHIP;560ohm,1%,1/10W,TP,1608	1	S.A	
...4	R4094	2007-007791	R-CHIP;9.1Kohm,1%,1/16W,TP,1005	1	S.N.A	
...4	R4351	2007-007791	R-CHIP;9.1Kohm,1%,1/16W,TP,1005	1	S.N.A	
...4	RA3007	2011-000515	R-NETWORK;4.7Kohm,5%,1/16W,L,CHIP,8P,TP,	1	S.N.A	

Level	Location No.	Code No.	Description & Specification	Q'ty	SA/SNA	Remark
...4	RA4004	2011-000651	R-NETWORK;10ohm,5%,1/16W,L,CHIP,8P,TP,32	1	S.N.A	
...4	RA4005	2011-000651	R-NETWORK;10ohm,5%,1/16W,L,CHIP,8P,TP,32	1	S.N.A	
...4	RA1100	2011-001001	R-NETWORK;0ohm,5%,1/16W,L,CHIP,8P,TP,3.2	1	S.A	
...4	RA1101	2011-001001	R-NETWORK;0ohm,5%,1/16W,L,CHIP,8P,TP,3.2	1	S.A	
...4	RA3001	2011-001011	R-NETWORK;10Kohm,5%,1/16W,L,CHIP,8P,TP,3	1	S.A	
...4	RA4102	2011-001011	R-NETWORK;10Kohm,5%,1/16W,L,CHIP,8P,TP,3	1	S.A	
...4	R10004_EU	2011-001087	R-NETWORK;75ohm,5%,1/16W,L,CHIP,8P,TP,3.	1	S.A	
...4	R10010_EU	2011-001087	R-NETWORK;75ohm,5%,1/16W,L,CHIP,8P,TP,3.	1	S.A	
...4	R10126_EU	2011-001087	R-NETWORK;75ohm,5%,1/16W,L,CHIP,8P,TP,3.	1	S.A	
...4	R10127_EU	2011-001087	R-NETWORK;75ohm,5%,1/16W,L,CHIP,8P,TP,3.	1	S.A	
...4	R3024	2011-001093	R-NETWORK;100ohm,5%,1/16W,L,CHIP,8P,TP,3	1	S.A	
...4	R3025	2011-001093	R-NETWORK;100ohm,5%,1/16W,L,CHIP,8P,TP,3	1	S.A	
...4	RA3002	2011-001093	R-NETWORK;100ohm,5%,1/16W,L,CHIP,8P,TP,3	1	S.A	
...4	RA3003	2011-001093	R-NETWORK;100ohm,5%,1/16W,L,CHIP,8P,TP,3	1	S.A	
...4	RA3004	2011-001093	R-NETWORK;100ohm,5%,1/16W,L,CHIP,8P,TP,3	1	S.A	
...4	RA3005	2011-001093	R-NETWORK;100ohm,5%,1/16W,L,CHIP,8P,TP,3	1	S.A	
...4	RA3006	2011-001093	R-NETWORK;100ohm,5%,1/16W,L,CHIP,8P,TP,3	1	S.A	
...4	RA4101	2011-001093	R-NETWORK;100ohm,5%,1/16W,L,CHIP,8P,TP,3	1	S.A	
...4	RA4014	2011-001261	R-NETWORK;33ohm,5%,1/16W,L,CHIP,8P,TP,2.	1	S.A	
...4	R8321	2011-001262	R-NETWORK;22ohm,5%,1/16W,L,CHIP,8P,TP,2.	1	S.A	
...4	R8322	2011-001262	R-NETWORK;22ohm,5%,1/16W,L,CHIP,8P,TP,2.	1	S.A	
...4	R8324	2011-001262	R-NETWORK;22ohm,5%,1/16W,L,CHIP,8P,TP,2.	1	S.A	
...4	R8327	2011-001262	R-NETWORK;22ohm,5%,1/16W,L,CHIP,8P,TP,2.	1	S.A	
...4	R8401	2011-001262	R-NETWORK;22ohm,5%,1/16W,L,CHIP,8P,TP,2.	1	S.A	
...4	R8402	2011-001262	R-NETWORK;22ohm,5%,1/16W,L,CHIP,8P,TP,2.	1	S.A	
...4	R8403	2011-001262	R-NETWORK;22ohm,5%,1/16W,L,CHIP,8P,TP,2.	1	S.A	
...4	R8405	2011-001262	R-NETWORK;22ohm,5%,1/16W,L,CHIP,8P,TP,2.	1	S.A	
...4	R8406	2011-001262	R-NETWORK;22ohm,5%,1/16W,L,CHIP,8P,TP,2.	1	S.A	
...4	R8407	2011-001262	R-NETWORK;22ohm,5%,1/16W,L,CHIP,8P,TP,2.	1	S.A	
...4	R8408	2011-001262	R-NETWORK;22ohm,5%,1/16W,L,CHIP,8P,TP,2.	1	S.A	
...4	R8409	2011-001262	R-NETWORK;22ohm,5%,1/16W,L,CHIP,8P,TP,2.	1	S.A	
...4	R8410	2011-001262	R-NETWORK;22ohm,5%,1/16W,L,CHIP,8P,TP,2.	1	S.A	
...4	R8433	2011-001262	R-NETWORK;22ohm,5%,1/16W,L,CHIP,8P,TP,2.	1	S.A	
...4	R8434	2011-001262	R-NETWORK;22ohm,5%,1/16W,L,CHIP,8P,TP,2.	1	S.A	
...4	R8435	2011-001262	R-NETWORK;22ohm,5%,1/16W,L,CHIP,8P,TP,2.	1	S.A	
...4	R8436	2011-001262	R-NETWORK;22ohm,5%,1/16W,L,CHIP,8P,TP,2.	1	S.A	
...4	R8437	2011-001262	R-NETWORK;22ohm,5%,1/16W,L,CHIP,8P,TP,2.	1	S.A	
...4	R8504	2011-001262	R-NETWORK;22ohm,5%,1/16W,L,CHIP,8P,TP,2.	1	S.A	
...4	RA9000	2011-001262	R-NETWORK;22ohm,5%,1/16W,L,CHIP,8P,TP,2.	1	S.A	
...4	C9047	2203-000125	C-CER,CHIP;1.2nF,10%,50V,X7R,TP,1608,-	1	S.A	
...4	C9048	2203-000125	C-CER,CHIP;1.2nF,10%,50V,X7R,TP,1608,-	1	S.A	
...4	C9049	2203-000125	C-CER,CHIP;1.2nF,10%,50V,X7R,TP,1608,-	1	S.A	
...4	C9050	2203-000125	C-CER,CHIP;1.2nF,10%,50V,X7R,TP,1608,-	1	S.A	
...4	C5027	2203-000221	C-CER,CHIP;100nF,20%,50V,Y5V,TP,3216	1	S.A	
...4	C7003	2203-000233	C-CER,CHIP;0.1nF,5%,50V,C0G,1005	1	S.A	
...4	C7009_EU	2203-000233	C-CER,CHIP;0.1nF,5%,50V,C0G,1005	1	S.A	
...4	C9096	2203-000233	C-CER,CHIP;0.1nF,5%,50V,C0G,1005	1	S.A	
...4	C9930_EU	2203-000233	C-CER,CHIP;0.1nF,5%,50V,C0G,1005	1	S.A	
...4	C9933_EU	2203-000233	C-CER,CHIP;0.1nF,5%,50V,C0G,1005	1	S.A	
...4	C9313_EU	2203-000330	C-CER,CHIP;0.012nF,5%,50V,C0G,1005	1	S.A	
...4	C9319_EU	2203-000330	C-CER,CHIP;0.012nF,5%,50V,C0G,1005	1	S.A	

5. Exploded View & Part List

Level	Location No.	Code No.	Description & Specification	Q'ty	SA/SNA	Remark
...4	C3006	2203-000438	C-CER,CHIP;1nF,10%,50V,X7R,1005	1	S.A	
...4	C4041	2203-000438	C-CER,CHIP;1nF,10%,50V,X7R,1005	1	S.A	
...4	C4322	2203-000438	C-CER,CHIP;1nF,10%,50V,X7R,1005	1	S.A	
...4	C4353	2203-000438	C-CER,CHIP;1nF,10%,50V,X7R,1005	1	S.A	
...4	C4422	2203-000438	C-CER,CHIP;1nF,10%,50V,X7R,1005	1	S.A	
...4	C8332	2203-000438	C-CER,CHIP;1nF,10%,50V,X7R,1005	1	S.A	
...4	C8367	2203-000438	C-CER,CHIP;1nF,10%,50V,X7R,1005	1	S.A	
...4	C9075	2203-000438	C-CER,CHIP;1nF,10%,50V,X7R,1005	1	S.A	
...4	C9400	2203-000438	C-CER,CHIP;1nF,10%,50V,X7R,1005	1	S.A	
...4	C4456	2203-000491	C-CER,CHIP;2.2nF,10%,50V,X7R,1608	1	S.A	
...4	C4457	2203-000491	C-CER,CHIP;2.2nF,10%,50V,X7R,1608	1	S.A	
...4	C4478_EU	2203-000491	C-CER,CHIP;2.2nF,10%,50V,X7R,1608	1	S.A	
...4	C4479_EU	2203-000491	C-CER,CHIP;2.2nF,10%,50V,X7R,1608	1	S.A	
...4	C9037	2203-000575	C-CER,CHIP;220nF,10%,25V,X7R,TP,2012	1	S.N.A	
...4	C9038	2203-000575	C-CER,CHIP;220nF,10%,25V,X7R,TP,2012	1	S.N.A	
...4	C3010	2203-000626	C-CER,CHIP;0.022nF,5%,50V,C0G,1608	1	S.N.A	
...4	C3011	2203-000626	C-CER,CHIP;0.022nF,5%,50V,C0G,1608	1	S.N.A	
...4	C9033	2203-000838	C-CER,CHIP;0.39nF,5%,50V,C0G,TP,1608	1	S.A	
...4	C9034	2203-000838	C-CER,CHIP;0.39nF,5%,50V,C0G,TP,1608	1	S.A	
...4	C9035	2203-000838	C-CER,CHIP;0.39nF,5%,50V,C0G,TP,1608	1	S.A	
...4	C9036	2203-000838	C-CER,CHIP;0.39nF,5%,50V,C0G,TP,1608	1	S.A	
...4	C9010	2203-000995	C-CER,CHIP;0.047nF,5%,50V,C0G,1005	1	S.A	
...4	C9014	2203-000995	C-CER,CHIP;0.047nF,5%,50V,C0G,1005	1	S.A	
...4	C1015	2203-001126	C-CER,CHIP;0.68nF,10%,50V,X7R,1608	1	S.N.A	
...4	C1103	2203-001126	C-CER,CHIP;0.68nF,10%,50V,X7R,1608	1	S.N.A	
...4	C1036	2203-001242	C-CER,CHIP;0.082nF,5%,50V,NP0,1608	1	S.A	
...4	C1104	2203-001242	C-CER,CHIP;0.082nF,5%,50V,NP0,1608	1	S.A	
...4	C4038	2203-001412	C-CER,CHIP;0.03nF,5%,50V,NP0,TP,1005	1	S.N.A	
...4	C4039	2203-001412	C-CER,CHIP;0.03nF,5%,50V,NP0,TP,1005	1	S.N.A	
...4	C4492	2203-001412	C-CER,CHIP;0.03nF,5%,50V,NP0,TP,1005	1	S.N.A	
...4	C5001	2203-001412	C-CER,CHIP;0.03nF,5%,50V,NP0,TP,1005	1	S.N.A	
...4	C5005	2203-001412	C-CER,CHIP;0.03nF,5%,50V,NP0,TP,1005	1	S.N.A	
...4	C5007	2203-001412	C-CER,CHIP;0.03nF,5%,50V,NP0,TP,1005	1	S.N.A	
...4	C5009	2203-001412	C-CER,CHIP;0.03nF,5%,50V,NP0,TP,1005	1	S.N.A	
...4	C5010	2203-001412	C-CER,CHIP;0.03nF,5%,50V,NP0,TP,1005	1	S.N.A	
...4	C5200	2203-001412	C-CER,CHIP;0.03nF,5%,50V,NP0,TP,1005	1	S.N.A	
...4	C7004_EU	2203-001412	C-CER,CHIP;0.03nF,5%,50V,NP0,TP,1005	1	S.N.A	
...4	C7025	2203-001412	C-CER,CHIP;0.03nF,5%,50V,NP0,TP,1005	1	S.N.A	
...4	C7035	2203-001412	C-CER,CHIP;0.03nF,5%,50V,NP0,TP,1005	1	S.N.A	
...4	C2015	2203-001596	C-CER,CHIP;2200nF,+80-20%,50V,Y5V,2012	1	S.A	
...4	C2020	2203-001596	C-CER,CHIP;2200nF,+80-20%,50V,Y5V,2012	1	S.A	
...4	C4025	2203-001598	C-CER,CHIP;2200nF,+80-20%,16V,Y5V,2012	1	S.N.A	
...4	C4026	2203-001598	C-CER,CHIP;2200nF,+80-20%,16V,Y5V,2012	1	S.N.A	
...4	C4029	2203-001598	C-CER,CHIP;2200nF,+80-20%,16V,Y5V,2012	1	S.N.A	
...4	C4030	2203-001598	C-CER,CHIP;2200nF,+80-20%,16V,Y5V,2012	1	S.N.A	
...4	C4031	2203-001598	C-CER,CHIP;2200nF,+80-20%,16V,Y5V,2012	1	S.N.A	
...4	C4032	2203-001598	C-CER,CHIP;2200nF,+80-20%,16V,Y5V,2012	1	S.N.A	
...4	C4034	2203-001598	C-CER,CHIP;2200nF,+80-20%,16V,Y5V,2012	1	S.N.A	
...4	C4046	2203-001598	C-CER,CHIP;2200nF,+80-20%,16V,Y5V,2012	1	S.N.A	
...4	C4047	2203-001598	C-CER,CHIP;2200nF,+80-20%,16V,Y5V,2012	1	S.N.A	
...4	C10009_EU	2203-002285	C-CER,CHIP;10nF,10%,50V,X7R,1005	1	S.N.A	

## 5. Exploded View &amp; Part List

Level	Location No.	Code No.	Description & Specification	Q'ty	SA/SNA	Remark
...4	C10034_EU	2203-002285	C-CER,CHIP;10nF,10%,50V,X7R,1005	1	S.N.A	
...4	C3005	2203-002285	C-CER,CHIP;10nF,10%,50V,X7R,1005	1	S.N.A	
...4	C7036	2203-002285	C-CER,CHIP;10nF,10%,50V,X7R,1005	1	S.N.A	
...4	C7037	2203-002285	C-CER,CHIP;10nF,10%,50V,X7R,1005	1	S.N.A	
...4	C7040	2203-002285	C-CER,CHIP;10nF,10%,50V,X7R,1005	1	S.N.A	
...4	C7041	2203-002285	C-CER,CHIP;10nF,10%,50V,X7R,1005	1	S.N.A	
...4	C5008	2203-002525	C-CER,CHIP;0.56nF,10%,50V,X7R,TP,1005	1	S.N.A	
...4	C5012	2203-002525	C-CER,CHIP;0.56nF,10%,50V,X7R,TP,1005	1	S.N.A	
...4	C5013	2203-002525	C-CER,CHIP;0.56nF,10%,50V,X7R,TP,1005	1	S.N.A	
...4	C5015	2203-002525	C-CER,CHIP;0.56nF,10%,50V,X7R,TP,1005	1	S.N.A	
...4	C7002_EU	2203-002525	C-CER,CHIP;0.56nF,10%,50V,X7R,TP,1005	1	S.N.A	
...4	C7006_EU	2203-002525	C-CER,CHIP;0.56nF,10%,50V,X7R,TP,1005	1	S.N.A	
...4	C7011	2203-002525	C-CER,CHIP;0.56nF,10%,50V,X7R,TP,1005	1	S.N.A	
...4	C7013	2203-002525	C-CER,CHIP;0.56nF,10%,50V,X7R,TP,1005	1	S.N.A	
...4	C7026	2203-002525	C-CER,CHIP;0.56nF,10%,50V,X7R,TP,1005	1	S.N.A	
...4	C7027	2203-002525	C-CER,CHIP;0.56nF,10%,50V,X7R,TP,1005	1	S.N.A	
...4	C11050	2203-002720	C-CER,CHIP;10nF,10%,25V,X7R,1005	1	S.N.A	
...4	C9023	2203-005065	C-CER,CHIP;1000nF,+80-20%,10V,Y5V,1608	1	S.N.A	
...4	C9027	2203-005065	C-CER,CHIP;1000nF,+80-20%,10V,Y5V,1608	1	S.N.A	
...4	C9028	2203-005065	C-CER,CHIP;1000nF,+80-20%,10V,Y5V,1608	1	S.N.A	
...4	C9029	2203-005065	C-CER,CHIP;1000nF,+80-20%,10V,Y5V,1608	1	S.N.A	
...4	C9018	2203-005249	C-CER,CHIP;100nF,10%,50V,X7R,TP,1608	1	S.N.A	
...4	C9025	2203-005249	C-CER,CHIP;100nF,10%,50V,X7R,TP,1608	1	S.N.A	
...4	C9026	2203-005249	C-CER,CHIP;100nF,10%,50V,X7R,TP,1608	1	S.N.A	
...4	C9030	2203-005249	C-CER,CHIP;100nF,10%,50V,X7R,TP,1608	1	S.N.A	
...4	C9039	2203-005249	C-CER,CHIP;100nF,10%,50V,X7R,TP,1608	1	S.N.A	
...4	C9040	2203-005249	C-CER,CHIP;100nF,10%,50V,X7R,TP,1608	1	S.N.A	
...4	C9041	2203-005249	C-CER,CHIP;100nF,10%,50V,X7R,TP,1608	1	S.N.A	
...4	C9042	2203-005249	C-CER,CHIP;100nF,10%,50V,X7R,TP,1608	1	S.N.A	
...4	C9043	2203-005249	C-CER,CHIP;100nF,10%,50V,X7R,TP,1608	1	S.N.A	
...4	C9044	2203-005249	C-CER,CHIP;100nF,10%,50V,X7R,TP,1608	1	S.N.A	
...4	C9045	2203-005249	C-CER,CHIP;100nF,10%,50V,X7R,TP,1608	1	S.N.A	
...4	C9046	2203-005249	C-CER,CHIP;100nF,10%,50V,X7R,TP,1608	1	S.N.A	
...4	C1016	2203-005384	C-CER,CHIP;4700nF,+80-20%,10V,Y5V,TP,201	1	S.N.A	
...4	C1051	2203-005384	C-CER,CHIP;4700nF,+80-20%,10V,Y5V,TP,201	1	S.N.A	
...4	C1105	2203-005384	C-CER,CHIP;4700nF,+80-20%,10V,Y5V,TP,201	1	S.N.A	
...4	C1200	2203-005384	C-CER,CHIP;4700nF,+80-20%,10V,Y5V,TP,201	1	S.N.A	
...4	C1201	2203-005384	C-CER,CHIP;4700nF,+80-20%,10V,Y5V,TP,201	1	S.N.A	
...4	C3500	2203-005384	C-CER,CHIP;4700nF,+80-20%,10V,Y5V,TP,201	1	S.N.A	
...4	C1026	2203-005809	C-CER,CHIP;1000nF,10%,16V,X7R,TP,2012	1	S.A	
...4	C1058	2203-005809	C-CER,CHIP;1000nF,10%,16V,X7R,TP,2012	1	S.A	
...4	C1065	2203-005809	C-CER,CHIP;1000nF,10%,16V,X7R,TP,2012	1	S.A	
...4	C1083	2203-005809	C-CER,CHIP;1000nF,10%,16V,X7R,TP,2012	1	S.A	
...4	C1082	2203-005834	C-CER,CHIP;22000nF,+80-20%,10V,Y5V,3216	1	S.A	
...4	C1100	2203-005834	C-CER,CHIP;22000nF,+80-20%,10V,Y5V,3216	1	S.A	
...4	C2509	2203-005834	C-CER,CHIP;22000nF,+80-20%,10V,Y5V,3216	1	S.A	
...4	C2510	2203-005834	C-CER,CHIP;22000nF,+80-20%,10V,Y5V,3216	1	S.A	
...4	C2511	2203-005834	C-CER,CHIP;22000nF,+80-20%,10V,Y5V,3216	1	S.A	
...4	C2590	2203-005834	C-CER,CHIP;22000nF,+80-20%,10V,Y5V,3216	1	S.A	
...4	C5028	2203-005834	C-CER,CHIP;22000nF,+80-20%,10V,Y5V,3216	1	S.A	
...4	C5030	2203-005834	C-CER,CHIP;22000nF,+80-20%,10V,Y5V,3216	1	S.A	

5. Exploded View & Part List

Level	Location No.	Code No.	Description & Specification	Q'ty	SA/SNA	Remark
...4	C7028	2203-005834	C-CER,CHIP;22000nF,+80-20%,10V,Y5V,3216	1	S.A	
...4	C7029	2203-005834	C-CER,CHIP;22000nF,+80-20%,10V,Y5V,3216	1	S.A	
...4	C4004	2203-006126	C-CER,CHIP;47NF,10%,16V,X7R,TP,1005	1	S.N.A	
...4	C4005	2203-006126	C-CER,CHIP;47NF,10%,16V,X7R,TP,1005	1	S.N.A	
...4	C4007	2203-006126	C-CER,CHIP;47NF,10%,16V,X7R,TP,1005	1	S.N.A	
...4	C4009	2203-006126	C-CER,CHIP;47NF,10%,16V,X7R,TP,1005	1	S.N.A	
...4	C4014	2203-006126	C-CER,CHIP;47NF,10%,16V,X7R,TP,1005	1	S.N.A	
...4	C4018	2203-006126	C-CER,CHIP;47NF,10%,16V,X7R,TP,1005	1	S.N.A	
...4	C4019	2203-006126	C-CER,CHIP;47NF,10%,16V,X7R,TP,1005	1	S.N.A	
...4	C4021	2203-006126	C-CER,CHIP;47NF,10%,16V,X7R,TP,1005	1	S.N.A	
...4	C4312	2203-006126	C-CER,CHIP;47NF,10%,16V,X7R,TP,1005	1	S.N.A	
...4	C4313	2203-006126	C-CER,CHIP;47NF,10%,16V,X7R,TP,1005	1	S.N.A	
...4	C4319	2203-006126	C-CER,CHIP;47NF,10%,16V,X7R,TP,1005	1	S.N.A	
...4	C4320	2203-006126	C-CER,CHIP;47NF,10%,16V,X7R,TP,1005	1	S.N.A	
...4	C4321	2203-006126	C-CER,CHIP;47NF,10%,16V,X7R,TP,1005	1	S.N.A	
...4	C4323	2203-006126	C-CER,CHIP;47NF,10%,16V,X7R,TP,1005	1	S.N.A	
...4	C3241	2203-006141	C-CER,CHIP;1000nF,10%,16V,X5R,1608	1	S.N.A	
...4	C4035	2203-006141	C-CER,CHIP;1000nF,10%,16V,X5R,1608	1	S.N.A	
...4	C4400_ANA	2203-006141	C-CER,CHIP;1000nF,10%,16V,X5R,1608	1	S.N.A	
...4	C9003	2203-006141	C-CER,CHIP;1000nF,10%,16V,X5R,1608	1	S.N.A	
...4	C9004	2203-006141	C-CER,CHIP;1000nF,10%,16V,X5R,1608	1	S.N.A	
...4	C9012	2203-006141	C-CER,CHIP;1000nF,10%,16V,X5R,1608	1	S.N.A	
...4	C9077	2203-006141	C-CER,CHIP;1000nF,10%,16V,X5R,1608	1	S.N.A	
...4	C9316_EU	2203-006141	C-CER,CHIP;1000nF,10%,16V,X5R,1608	1	S.N.A	
...4	C9317_EU	2203-006141	C-CER,CHIP;1000nF,10%,16V,X5R,1608	1	S.N.A	
...4	C9318_EU	2203-006141	C-CER,CHIP;1000nF,10%,16V,X5R,1608	1	S.N.A	
...4	C10033	2203-006158	C-CER,CHIP;100nF,10%,16V,X7R,1005	1	S.N.A	
...4	C10035	2203-006158	C-CER,CHIP;100nF,10%,16V,X7R,1005	1	S.N.A	
...4	C10037	2203-006158	C-CER,CHIP;100nF,10%,16V,X7R,1005	1	S.N.A	
...4	C1014	2203-006158	C-CER,CHIP;100nF,10%,16V,X7R,1005	1	S.N.A	
...4	C1102	2203-006158	C-CER,CHIP;100nF,10%,16V,X7R,1005	1	S.N.A	
...4	C2002	2203-006158	C-CER,CHIP;100nF,10%,16V,X7R,1005	1	S.N.A	
...4	C2017	2203-006158	C-CER,CHIP;100nF,10%,16V,X7R,1005	1	S.N.A	
...4	C2019	2203-006158	C-CER,CHIP;100nF,10%,16V,X7R,1005	1	S.N.A	
...4	C2048	2203-006158	C-CER,CHIP;100nF,10%,16V,X7R,1005	1	S.N.A	
...4	C2053	2203-006158	C-CER,CHIP;100nF,10%,16V,X7R,1005	1	S.N.A	
...4	C2070	2203-006158	C-CER,CHIP;100nF,10%,16V,X7R,1005	1	S.N.A	
...4	C2082	2203-006158	C-CER,CHIP;100nF,10%,16V,X7R,1005	1	S.N.A	
...4	C2084	2203-006158	C-CER,CHIP;100nF,10%,16V,X7R,1005	1	S.N.A	
...4	C2086	2203-006158	C-CER,CHIP;100nF,10%,16V,X7R,1005	1	S.N.A	
...4	C2089	2203-006158	C-CER,CHIP;100nF,10%,16V,X7R,1005	1	S.N.A	
...4	C3002	2203-006158	C-CER,CHIP;100nF,10%,16V,X7R,1005	1	S.N.A	
...4	C3007	2203-006158	C-CER,CHIP;100nF,10%,16V,X7R,1005	1	S.N.A	
...4	C3008	2203-006158	C-CER,CHIP;100nF,10%,16V,X7R,1005	1	S.N.A	
...4	C4001	2203-006158	C-CER,CHIP;100nF,10%,16V,X7R,1005	1	S.N.A	
...4	C4002	2203-006158	C-CER,CHIP;100nF,10%,16V,X7R,1005	1	S.N.A	
...4	C4008	2203-006158	C-CER,CHIP;100nF,10%,16V,X7R,1005	1	S.N.A	
...4	C4013	2203-006158	C-CER,CHIP;100nF,10%,16V,X7R,1005	1	S.N.A	
...4	C4020	2203-006158	C-CER,CHIP;100nF,10%,16V,X7R,1005	1	S.N.A	
...4	C4022	2203-006158	C-CER,CHIP;100nF,10%,16V,X7R,1005	1	S.N.A	
...4	C4023	2203-006158	C-CER,CHIP;100nF,10%,16V,X7R,1005	1	S.N.A	



## 5. Exploded View &amp; Part List

Level	Location No.	Code No.	Description & Specification	Q'ty	SA/SNA	Remark
...4	C4024	2203-006158	C-CER,CHIP;100nF,10%,16V,X7R,1005	1	S.N.A	
...4	C4033	2203-006158	C-CER,CHIP;100nF,10%,16V,X7R,1005	1	S.N.A	
...4	C4037	2203-006158	C-CER,CHIP;100nF,10%,16V,X7R,1005	1	S.N.A	
...4	C4040	2203-006158	C-CER,CHIP;100nF,10%,16V,X7R,1005	1	S.N.A	
...4	C4310	2203-006158	C-CER,CHIP;100nF,10%,16V,X7R,1005	1	S.N.A	
...4	C4311	2203-006158	C-CER,CHIP;100nF,10%,16V,X7R,1005	1	S.N.A	
...4	C4314	2203-006158	C-CER,CHIP;100nF,10%,16V,X7R,1005	1	S.N.A	
...4	C4324	2203-006158	C-CER,CHIP;100nF,10%,16V,X7R,1005	1	S.N.A	
...4	C4354	2203-006158	C-CER,CHIP;100nF,10%,16V,X7R,1005	1	S.N.A	
...4	C5014	2203-006158	C-CER,CHIP;100nF,10%,16V,X7R,1005	1	S.N.A	
...4	C5024	2203-006158	C-CER,CHIP;100nF,10%,16V,X7R,1005	1	S.N.A	
...4	C5026	2203-006158	C-CER,CHIP;100nF,10%,16V,X7R,1005	1	S.N.A	
...4	C5029	2203-006158	C-CER,CHIP;100nF,10%,16V,X7R,1005	1	S.N.A	
...4	C5031	2203-006158	C-CER,CHIP;100nF,10%,16V,X7R,1005	1	S.N.A	
...4	C6004	2203-006158	C-CER,CHIP;100nF,10%,16V,X7R,1005	1	S.N.A	
...4	C6113	2203-006158	C-CER,CHIP;100nF,10%,16V,X7R,1005	1	S.N.A	
...4	C6114	2203-006158	C-CER,CHIP;100nF,10%,16V,X7R,1005	1	S.N.A	
...4	C7008	2203-006158	C-CER,CHIP;100nF,10%,16V,X7R,1005	1	S.N.A	
...4	C7017	2203-006158	C-CER,CHIP;100nF,10%,16V,X7R,1005	1	S.N.A	
...4	C7031	2203-006158	C-CER,CHIP;100nF,10%,16V,X7R,1005	1	S.N.A	
...4	C7051	2203-006158	C-CER,CHIP;100nF,10%,16V,X7R,1005	1	S.N.A	
...4	C8016_HT	2203-006158	C-CER,CHIP;100nF,10%,16V,X7R,1005	1	S.N.A	
...4	C8017_HT	2203-006158	C-CER,CHIP;100nF,10%,16V,X7R,1005	1	S.N.A	
...4	C8019_HT	2203-006158	C-CER,CHIP;100nF,10%,16V,X7R,1005	1	S.N.A	
...4	C8020_HT	2203-006158	C-CER,CHIP;100nF,10%,16V,X7R,1005	1	S.N.A	
...4	C8021_HT	2203-006158	C-CER,CHIP;100nF,10%,16V,X7R,1005	1	S.N.A	
...4	C8331	2203-006158	C-CER,CHIP;100nF,10%,16V,X7R,1005	1	S.N.A	
...4	C8365	2203-006158	C-CER,CHIP;100nF,10%,16V,X7R,1005	1	S.N.A	
...4	C8503	2203-006158	C-CER,CHIP;100nF,10%,16V,X7R,1005	1	S.N.A	
...4	C8505	2203-006158	C-CER,CHIP;100nF,10%,16V,X7R,1005	1	S.N.A	
...4	C9006	2203-006158	C-CER,CHIP;100nF,10%,16V,X7R,1005	1	S.N.A	
...4	C9007	2203-006158	C-CER,CHIP;100nF,10%,16V,X7R,1005	1	S.N.A	
...4	C9008	2203-006158	C-CER,CHIP;100nF,10%,16V,X7R,1005	1	S.N.A	
...4	C9009	2203-006158	C-CER,CHIP;100nF,10%,16V,X7R,1005	1	S.N.A	
...4	C9020	2203-006158	C-CER,CHIP;100nF,10%,16V,X7R,1005	1	S.N.A	
...4	C9022	2203-006158	C-CER,CHIP;100nF,10%,16V,X7R,1005	1	S.N.A	
...4	C1048	2203-006336	C-CER,CHIP;10000nF,10%,25V,X5R,3216	1	S.A	
...4	C9019	2203-006336	C-CER,CHIP;10000nF,10%,25V,X5R,3216	1	S.A	
...4	C9024	2203-006336	C-CER,CHIP;10000nF,10%,25V,X5R,3216	1	S.A	
...4	C9031	2203-006336	C-CER,CHIP;10000nF,10%,25V,X5R,3216	1	S.A	
...4	C9032	2203-006336	C-CER,CHIP;10000nF,10%,25V,X5R,3216	1	S.A	
...4	C8022_HT	2203-006361	C-CER,CHIP;10000nF,10%,10V,X5R,TP,2012	1	S.A	
...4	C9005	2203-006361	C-CER,CHIP;10000nF,10%,10V,X5R,TP,2012	1	S.A	
...4	C9078	2203-006361	C-CER,CHIP;10000nF,10%,10V,X5R,TP,2012	1	S.A	
...4	C9001	2203-006399	C-CER,CHIP;1000nF,10%,6.3V,X5R,1005	1	S.A	
...4	C9002	2203-006399	C-CER,CHIP;1000nF,10%,6.3V,X5R,1005	1	S.A	
...4	C3242	2203-006681	C-CER,CHIP;100nF,+80-20%,25V,Y5V,1005	1	S.N.A	
...4	C3243	2203-006681	C-CER,CHIP;100nF,+80-20%,25V,Y5V,1005	1	S.N.A	
...4	C6500	2203-006681	C-CER,CHIP;100nF,+80-20%,25V,Y5V,1005	1	S.N.A	
...4	C1012	2203-007176	C-CER,CHIP;10000nF,10%,16V,X5R,TP,2012 (	1	S.N.A	
...4	C11051	2203-007176	C-CER,CHIP;10000nF,10%,16V,X5R,TP,2012 (	1	S.N.A	

5. Exploded View & Part List

Level	Location No.	Code No.	Description & Specification	Q'ty	SA/SNA	Remark
...4	C2042	2203-007176	C-CER,CHIP;1000nF,10%,16V,X5R,TP,2012 (	1	S.N.A	
...4	C2043	2203-007176	C-CER,CHIP;1000nF,10%,16V,X5R,TP,2012 (	1	S.N.A	
...4	C2044	2203-007176	C-CER,CHIP;1000nF,10%,16V,X5R,TP,2012 (	1	S.N.A	
...4	C2045	2203-007176	C-CER,CHIP;1000nF,10%,16V,X5R,TP,2012 (	1	S.N.A	
...4	C2046	2203-007176	C-CER,CHIP;1000nF,10%,16V,X5R,TP,2012 (	1	S.N.A	
...4	C2071	2203-007176	C-CER,CHIP;1000nF,10%,16V,X5R,TP,2012 (	1	S.N.A	
...4	C2081	2203-007176	C-CER,CHIP;1000nF,10%,16V,X5R,TP,2012 (	1	S.N.A	
...4	C2083	2203-007176	C-CER,CHIP;1000nF,10%,16V,X5R,TP,2012 (	1	S.N.A	
...4	C2085	2203-007176	C-CER,CHIP;1000nF,10%,16V,X5R,TP,2012 (	1	S.N.A	
...4	C2088	2203-007176	C-CER,CHIP;1000nF,10%,16V,X5R,TP,2012 (	1	S.N.A	
...4	C2302	2203-007176	C-CER,CHIP;1000nF,10%,16V,X5R,TP,2012 (	1	S.N.A	
...4	C3009	2203-007176	C-CER,CHIP;1000nF,10%,16V,X5R,TP,2012 (	1	S.N.A	
...4	C4036	2203-007176	C-CER,CHIP;1000nF,10%,16V,X5R,TP,2012 (	1	S.N.A	
...4	C5025	2203-007176	C-CER,CHIP;1000nF,10%,16V,X5R,TP,2012 (	1	S.N.A	
...4	C5032	2203-007176	C-CER,CHIP;1000nF,10%,16V,X5R,TP,2012 (	1	S.N.A	
...4	C5040	2203-007176	C-CER,CHIP;1000nF,10%,16V,X5R,TP,2012 (	1	S.N.A	
...4	C7010	2203-007176	C-CER,CHIP;1000nF,10%,16V,X5R,TP,2012 (	1	S.N.A	
...4	C7024	2203-007176	C-CER,CHIP;1000nF,10%,16V,X5R,TP,2012 (	1	S.N.A	
...4	C8502	2203-007176	C-CER,CHIP;1000nF,10%,16V,X5R,TP,2012 (	1	S.N.A	
...4	C8504	2203-007176	C-CER,CHIP;1000nF,10%,16V,X5R,TP,2012 (	1	S.N.A	
...4	C9021	2203-007176	C-CER,CHIP;1000nF,10%,16V,X5R,TP,2012 (	1	S.N.A	
...4	C9314_EU	2203-007176	C-CER,CHIP;1000nF,10%,16V,X5R,TP,2012 (	1	S.N.A	
...4	C9315_EU	2203-007176	C-CER,CHIP;1000nF,10%,16V,X5R,TP,2012 (	1	S.N.A	
...4	C9331_EU	2203-007176	C-CER,CHIP;1000nF,10%,16V,X5R,TP,2012 (	1	S.N.A	
...4	C9332_EU	2203-007176	C-CER,CHIP;1000nF,10%,16V,X5R,TP,2012 (	1	S.N.A	
...4	CA2002	2503-001051	C-NETWORK;100nFx4,20%,16V,2012	1	S.A	
...4	CA2003	2503-001051	C-NETWORK;100nFx4,20%,16V,2012	1	S.A	
...4	CA2004	2503-001051	C-NETWORK;100nFx4,20%,16V,2012	1	S.A	
...4	CA2005	2503-001051	C-NETWORK;100nFx4,20%,16V,2012	1	S.A	
...4	CA2006	2503-001051	C-NETWORK;100nFx4,20%,16V,2012	1	S.A	
...4	CA2007	2503-001051	C-NETWORK;100nFx4,20%,16V,2012	1	S.A	
...4	CA2008	2503-001051	C-NETWORK;100nFx4,20%,16V,2012	1	S.A	
...4	CA2009	2503-001051	C-NETWORK;100nFx4,20%,16V,2012	1	S.A	
...4	CA2010	2503-001051	C-NETWORK;100nFx4,20%,16V,2012	1	S.A	
...4	CA2011	2503-001051	C-NETWORK;100nFx4,20%,16V,2012	1	S.A	
...4	CA2012	2503-001051	C-NETWORK;100nFx4,20%,16V,2012	1	S.A	
...4	CA2013	2503-001051	C-NETWORK;100nFx4,20%,16V,2012	1	S.A	
...4	CA2014	2503-001051	C-NETWORK;100nFx4,20%,16V,2012	1	S.A	
...4	T0052	2703-000398	INDUCTOR-SMD;10uH,10%,3225	1	S.A	
...4	T0052	2703-000398	INDUCTOR-SMD;10uH,10%,3225	1	S.A	
...4	T0052	2703-000398	INDUCTOR-SMD;10uH,10%,3225	1	S.A	
...4	T0052	2703-000398	INDUCTOR-SMD;10uH,10%,3225	1	S.A	
...4	T0052	2703-000398	INDUCTOR-SMD;10uH,10%,3225	1	S.A	
...4	T0052	2703-001778	INDUCTOR-SMD;3.3uH,20%,3225	1	S.A	
...4	T0052	2703-002809	INDUCTOR-SMD;1.2uH,20%,7070	1	S.A	
...4	T0052	2703-002809	INDUCTOR-SMD;1.2uH,20%,7070	1	S.A	
...4	L9001	2704-000018	INDUCTOR-SMD-ARRAY;15uH,2000mA,2,0.124oh	1	S.N.A	
...4	L9002	2704-000018	INDUCTOR-SMD-ARRAY;15uH,2000mA,2,0.124oh	1	S.N.A	
...4	X202	2801-003326	CRYSTAL-SMD;24MHZ,30PPM,28-ABX,20PF,50OH	1	S.A	
...4	X202	2801-003773	CRYSTAL-SMD;12MHz,30ppm,28-AAN,20pF,50oh	1	S.A	
...4	T0568	3301-000314	BEAD-SMD;120ohm,1.6x0.8x0.8mm,-,-,-	1	S.N.A	

Level	Location No.	Code No.	Description & Specification	Q'ty	SA/SNA	Remark
...4	T0568	3301-000314	BEAD-SMD;120ohm,1.6x0.8x0.8mm,-,-,-	1	S.N.A	
...4	T0568	3301-001145	BEAD-SMD;60ohm,4516,TP,70ohm/45MHz,82ohm	1	S.N.A	
...4	T0568	3301-001145	BEAD-SMD;60ohm,4516,TP,70ohm/45MHz,82ohm	1	S.N.A	
...4	T0568	3301-001236	BEAD-SMD;60ohm,1608	1	S.N.A	
...4	T0568	3301-001236	BEAD-SMD;60ohm,1608	1	S.N.A	
...4	T0568	3301-001236	BEAD-SMD;60ohm,1608	1	S.N.A	
...4	T0568	3301-001236	BEAD-SMD;60ohm,1608	1	S.N.A	
...4	T0568	3301-001236	BEAD-SMD;60ohm,1608	1	S.N.A	
...4	T0568	3301-001236	BEAD-SMD;60ohm,1608	1	S.N.A	
...4	T0568	3301-001236	BEAD-SMD;60ohm,1608	1	S.N.A	
...4	T0568	3301-001236	BEAD-SMD;60ohm,1608	1	S.N.A	
...4	T0568	3301-001236	BEAD-SMD;60ohm,1608	1	S.N.A	
...4	T0568	3301-001236	BEAD-SMD;60ohm,1608	1	S.N.A	
...4	T0568	3301-001404	BEAD-SMD;30ohm,2012,TP,15.9OHM/30MHz	1	S.A	
...4	T0568	3301-001404	BEAD-SMD;30ohm,2012,TP,15.9OHM/30MHz	1	S.A	
...4	T0568	3301-001404	BEAD-SMD;30ohm,2012,TP,15.9OHM/30MHz	1	S.A	
...4	T0568	3301-001404	BEAD-SMD;30ohm,2012,TP,15.9OHM/30MHz	1	S.A	
...4	T0568	3301-001404	BEAD-SMD;30ohm,2012,TP,15.9OHM/30MHz	1	S.A	
...4	T0568	3301-001404	BEAD-SMD;30ohm,2012,TP,15.9OHM/30MHz	1	S.A	
...4	T0568	3301-001404	BEAD-SMD;30ohm,2012,TP,15.9OHM/30MHz	1	S.A	
...4	T0568	3301-001404	BEAD-SMD;30ohm,2012,TP,15.9OHM/30MHz	1	S.A	
...4	T0568	3301-001404	BEAD-SMD;30ohm,2012,TP,15.9OHM/30MHz	1	S.A	
...4	T0568	3301-001404	BEAD-SMD;30ohm,2012,TP,15.9OHM/30MHz	1	S.A	
...4	T0568	3301-001404	BEAD-SMD;30ohm,2012,TP,15.9OHM/30MHz	1	S.A	
...4	T0568	3301-001404	BEAD-SMD;30ohm,2012,TP,15.9OHM/30MHz	1	S.A	
...4	T0568	3301-001404	BEAD-SMD;30ohm,2012,TP,15.9OHM/30MHz	1	S.A	
...4	T0568	3301-001404	BEAD-SMD;30ohm,2012,TP,15.9OHM/30MHz	1	S.A	
...4	T0568	3301-001404	BEAD-SMD;30ohm,2012,TP,15.9OHM/30MHz	1	S.A	
...4	T0568	3301-001404	BEAD-SMD;30ohm,2012,TP,15.9OHM/30MHz	1	S.A	
...4	T0568	3301-001404	BEAD-SMD;30ohm,2012,TP,15.9OHM/30MHz	1	S.A	
...4	T0568	3301-001404	BEAD-SMD;30ohm,2012,TP,15.9OHM/30MHz	1	S.A	
...4	T0568	3301-001404	BEAD-SMD;30ohm,2012,TP,15.9OHM/30MHz	1	S.A	
...4	T0568	3301-001404	BEAD-SMD;30ohm,2012,TP,15.9OHM/30MHz	1	S.A	
...4	T0568	3301-001404	BEAD-SMD;30ohm,2012,TP,15.9OHM/30MHz	1	S.A	
...4	T0568	3301-001404	BEAD-SMD;30ohm,2012,TP,15.9OHM/30MHz	1	S.A	
...4	T0568	3301-001404	BEAD-SMD;30ohm,2012,TP,15.9OHM/30MHz	1	S.A	
...4	T0568	3301-001404	BEAD-SMD;30ohm,2012,TP,15.9OHM/30MHz	1	S.A	
...4	CN6009	3701-001367	CONNECTOR-HDMI;19P,2R,FEMALE,SMD,AU	1	S.A	
...4	M0106	3708-001150	CONNECTOR-FPC/FPC/PIC;30P,1mm,SMD-A,SN,Y	1	S.A	
...4	MAIN MICOM	BN97-03438A	ASSY MICOM-MAIN;T-CRLHPEUHC-1004.1,2009.	1	S.N.A	
....5	IC115	1107-001777	IC-FLASH MEMORY;MX25L6405DMI-12G,64Mbit,	1	S.A	
...4	CCMM1	BN97-03439A	ASSY MICOM-SUB;T-CRLHPEUS-1016,2009.05.0	1	S.N.A	
....5	IC520	0903-001552	IC-MICROCONTROLLER;WT61P8-RG480WT,LQFP,4	1	S.N.A	
...4	F1001	3601-001374	FUSE-SURFACE MOUNT;32V,5A,FAST-ACTING,Hi	1	S.N.A	
...4	R7052	2007-007096	R-CHIP;160ohm,5%,1/16W,TP,1005	1	S.N.A	
...4	PCB	BN41-01171B	PCB MAIN-DVB SATURN4 ( RETAIL;Saturn4 DV	1	S.N.A	
...3	T0066	BP62-00017A	HEAT SINK-ES;SP-50L2HX,A6063S,T2.0,26.2,	1	S.N.A	
0.1	M0113	BN92-04467B	ASSY P/MATERIAL;LB450 22	1	S.N.A	
..2	T0524	6902-000520	BAG PE;HDPE/NITRON,T0.015/T0.5(DOUBLE),W	1	S.N.A	
..2		AA01-00004A	FOIL;2000,2000,NTR,SEH	0.018	S.N.A	
..2	T0214	BN74-00008A	TAPE-OPP MASKING;OPP-2,T0.05,W100,L800M,	1.54	S.N.A	
..2		BN81-02321A	BAG-AIR;LIGHT FLEX PLASTIK,PE WHITE,L120	0.002	S.N.A	
..2		BN69-03934A	WRAP STRETCH FILM;All,HDPE,0.012,500,300	1.5	S.N.A	
0.1	M0045	BN92-04867A	ASSY ACCESSORY;LE26B457C6HXXC,HOTEL TV	1	S.N.A	
..2	M0045	BN96-11950K	ASSY ACCESSORY;BN96-10830A	1	S.N.A	
...3		AA68-03242Q	MANUAL FLYER-02,SAFETY GUIDE;comm,Samsun	1	S.N.A	

5. Exploded View & Part List

Level	Location No.	Code No.	Description & Specification	Q'ty	SA/SNA	Remark
...3	M0521	BN39-00864A	CBF IF-MODULAR/MODULAR;Bordeaux Plus HOT	1	S.A	
...3	T0074	BN59-00901A	REMOCON;L450H,L457H,L550H,TM950,SAMSUNG,	1	S.A	
...3	M9889	BN63-01798B	CLOTH-CLEAN;cloth,180,200,sea blue,ToC	1	S.N.A	
...3	T0531	BN63-04269A	COVER-BOTTOM;22,26,32L450,HIPS,V0,BK500	1	S.A	
...3		BN68-00907D	MANUAL FLYER-WEEE BATTERY;COMM,SAMSUNG,2	1	S.N.A	
...3		BN68-02225A	MANUAL FLYER-QSG;B450,SAMSUNG,7Langs,EUR	1	S.N.A	
...3		BN68-02311A	MANUAL FLYER-EEE NOTICE GUIDE;COMM,SAMSU	1	S.N.A	
...3	M0560	BN96-01800A	ASSY ACCESSORY-SCREW ZIPPER;ROME32,SCREW	1	S.N.A	
...4	T0081	6002-001294	SCREW-TAPPING;BH,+,,M4,L16,ZPC(BLK)	4	S.N.A	
...4		6902-000683	BAG ZIPPER;LDPE,T0.05,W60,L60,TRP,4-PE M	1	S.N.A	
...3	T0268	3903-000145	CBF-POWER CORD;DT,EU,FP3/YES,U(IEC C13-R	1	S.A	
0.1	M0019	BN92-04894C	ASSY LABEL;LA22B450C4HXZN	1	S.N.A	
0.1	M0001	BN90-02233A	ASSY COVER FRONT;LB450 22,EO	1	S.N.A	
..2	T0175	BN96-06823E	ASSY SPEAKER P;16ohm,4pin,3W,R:400 / L:2	1	S.A	
..2	T0003	BN96-11197A	ASSY COVER P-FRONT;22L450,EO(HOTEL),PC,V	1	S.A	
...3	IR-PCB+C/F	6003-001188	SCREW-TAPTYPE;BH,+,-,B,M4,L10,ZPC(WHT),S	1	S.N.A	
...3	K/C+C/F	6003-001188	SCREW-TAPTYPE;BH,+,-,B,M4,L10,ZPC(WHT),S	2	S.N.A	
...3	M0279	AA63-01637A	FELT;50P9,FELT,0.5,10,80	1	S.N.A	
...3		BN61-04692A	BOSS-PRIMER,#94,clear,35cps	0.001	S.N.A	
...3	CCM1	BN63-02183D	COVER-SHEET;Rhcm,PE Vinyl,T0.05,680mm,20	0.47	S.N.A	
...3	T0059	BN64-00379A	INDICATOR LED;ROME-II,23,PC,CLEAR	1	S.N.A	
...3	T0061	BN64-00453A	WINDOW-REMOCON;32R71,PC,VIOLET	1	S.N.A	
...3	T0022	BN64-00755A	KNOB-CONTROL;32L450,ABS,V0,BK07	1	S.N.A	
...3		BN64-00986B	DECORATION-BOTTOM;22,LB450,PC CLEAR,RED	1	S.N.A	
...3	M0145	BN96-07269A	ASSY BOARD P-FUNCTION;LN40A450C1D,CT5000	1	S.A	
...3		BN96-11198A	ASSY HOLDER P-BOSS;LB450 22,EO(HOTEL),HI	1	S.N.A	
...4		BN61-04692A	BOSS-PRIMER,#94,clear,35cps	0.001	S.N.A	
...4		BN61-05386A	HOLDER-BOSS BOTTOM;22LB450,HIPS,V0,BK500	1	S.N.A	
...4		BN61-03261B	BOSS-TAPE;Tulip,ACRYL,T1.1,W20mm,GRAY,TA	0.38	S.N.A	
...3	M0146	BN96-07640H	ASSY BOARD P-POWER & IR;HOTEL TV LB457 2	1	S.A	
...3	M0112	BN63-05670B	COVER-FRONT;LB457 22,EO(HOTEL),PC,V0,TBK	1	S.N.A	
...3	SIDE	BN63-01923A	FELT-VIBRATION;42D5,FELT,T0.5,284,5	2	S.N.A	
...3	T0069	BP60-00015U	SPACER-FELT;L450 37",FELT,L470,BLK,T0.5,	2	S.N.A	
0.1	M0003	BN92-04461W	ASSY BOX;LB450 22	1	S.N.A	
..2		BN96-02895A	ASSY MISC P-01,HANDLE PACKING;ALL MODEL,	1	S.N.A	
...3	M0103	BN66-00007A	LEVER-TOP;ALL MODEL,LDPE,WHITE,5.8g	1	S.N.A	
...3	M0102	BN66-00008A	LEVER-BOTTOM;ALL MODEL,LDPE,WHITE,4.01g	1	S.N.A	
..2		BN69-03445R	BOX-SET;22B457,CB,A-01,SW2,YEL,W620,D533	1	S.N.A	

## 5-8. LE26B45\*\*\* Parts List

Level	Location No.	Code No.	Description & Specification	Q'ty	SA/SNA	Remark
		LE26B450C4WXXC	LE26B450C4W,N65A/26AC4-G4C,26,LCD-TV,SPA			
0.1	M0216	BN90-01510A	ASSY STAND;22L450,UO,,,	1	S.N.A	
..2	M0027	BN96-06463F	ASSY STAND P-BASE;22,26L450,ABS+PMMA,HB,	1	S.A	
...3	T0081	6002-001294	SCREW-TAPPING;BH,+,,M4,L16,ZPC(BLK)	4	S.N.A	
...3	M0081	6003-001239	SCREW-TAPTITE;FH,+,-,B,M4,L10,ZPC(WHT),S	4	S.N.A	
...3		BN61-02954A	BRACKET-STAND BOTTOM;23,26 BORDEAUX PLUS	1	S.N.A	
...3	T0920	BN61-03680C	GUIDE-STAND;22,26L450,ABS,V0(NT),BLK	1	S.N.A	
...3	CCM1	BN63-02183D	COVER-SHEET;Rhcm,PE Vinyl,T0.05,680mm,20	0.4	S.N.A	
...3	T0004	BN63-03122A	COVER-STAND BASE;23,26R81,ABS+PMMA,-,-,-	1	S.N.A	
...3	M0126	BN73-00052C	RUBBER-FOOT;LCD TV,CR RUBBER,T2.0 DIA19,	4	S.N.A	
0.1	M0001	BN90-02022B	ASSY COVER FRONT;LB450 26	1	S.N.A	
..2	T0175	BN96-06822H	ASSY SPEAKER P;16ohm,4pin,5W,R:150 / L:3	1	S.A	
..2	T0003	BN96-10017B	ASSY COVER P-FRONT;LB450 26,EO,ABS+PMMA,	1	S.A	
...3	M0081	6003-001188	SCREW-TAPTITE;BH,+,-,B,M4,L10,ZPC(WHT),S	1	S.N.A	
...3	M0081	6003-001188	SCREW-TAPTITE;BH,+,-,B,M4,L10,ZPC(WHT),S	2	S.N.A	
...3	T0069	AA60-00091K	SPACER-FELT;- ,FELT,330X10,-,-,BLK,T0.35,	1	S.N.A	
...3	M0279	AA63-01637A	FELT;50P9,FELT,0.5,10,80	1	S.N.A	
...3	T0069	BN60-00048A	SPACER-FELT;50Q9,FELT,620L,BLK,0.35T,10W	2	S.N.A	
...3		BN61-03261B	BOSS-TAPE;Tulip,ACRYL,T1.1,W20mm,GRAY,TA	0.8	S.N.A	
...3		BN61-04692A	BOSS-PRIMER;#94,clear,35cps	0.001	S.N.A	
...3	BOSS	BN61-04692A	BOSS-PRIMER;#94,clear,35cps	0.001	S.N.A	
...3		BN61-04969B	HOLDER-BOSS BOTTOM;LB450 26,HIPS,HB,BK50	1	S.N.A	
...3	CCM1	BN63-02183D	COVER-SHEET;Rhcm,PE Vinyl,T0.05,680mm,20	0.559	S.N.A	
...3	M0112	BN63-04168R	COVER-FRONT;LB450 26,EO,ABS+PMMA,HB,BK23	1	S.N.A	
...3	T0059	BN64-00379A	INDICATOR LED;ROME-II,23,PC,CLEAR	1	S.N.A	
...3	T0061	BN64-00453A	WINDOW-REMOCON;32R71,PC,VIOLET	1	S.N.A	
...3	T0022	BN64-00755A	KNOB-CONTROL;32L450,ABS,V0,BK07	1	S.N.A	
...3		BN64-00987A	DECORATION-BOTTOM;26,LB450,PC CLEAR,GRAY	1	S.N.A	
...3	M0145	BN96-07269A	ASSY BOARD P-FUNCTION;LN40A450C1D,CT5000	1	S.A	
...3	T0714	BN96-10362A	ASSY BOARD P-IR;LE26B530,1299-01201-00,8	1	S.A	
0.1	M0002	BN90-02031A	ASSY COVER REAR;LB450 26,EO	1	S.N.A	
..2	T0081	6002-001294	SCREW-TAPPING;BH,+,,M4,L16,ZPC(BLK)	9	S.N.A	
..2	T0081	6002-001294	SCREW-TAPPING;BH,+,,M4,L16,ZPC(BLK)	1	S.N.A	
..2	M0013	BN96-10025A	ASSY COVER P-REAR;LB450 26,EO,HIPS,HB,BK	1	S.A	
...3	T0101	BN61-04929A	BRACKET-WALL;26B450,SECC,T1.2	4	S.N.A	
...3	M0006	BN63-05394A	COVER-REAR;26,LB450,PS,HB,BK500	1	S.N.A	
...3	T0071	BN64-01053A	INLAY-TERMINAL;26B450(PAL-Saturn),PS SHE	1	S.N.A	
...3	T0064	BN65-00002A	CLAMPER CORE;BORDEAUX,LDPE,-,-,BLK,-	1	S.N.A	
0.1	M0017	BN91-03830D	ASSY CHASSIS;LE26B450C4WXXC	1	S.N.A	
..2	M0014	BN94-02690D	ASSY PCB MAIN;LE26B450C4WXXC	1	S.A	
...3	SUB02	0202-001557	SOLDER-CREAM;LST57-A,D38-63,42SN/57BI/1A	11	S.N.A	
...3	T0245	0202-001608	SOLDER-WIRE FLUX;LFC7-107,D0.8,99.3Sn/0.	0.25	S.N.A	
...3	CN6004	3701-001388	CONNECTOR-HDMI;20P,Phosphor Bronze,ANGLE	1	S.A	
...3	CN5001	3701-001480	CONNECTOR-DSUB;15P,3R,FEMAIL,STAMPED PIN	1	S.A	
...3	CN906	3707-001081	CONNECTOR-OPTICAL;STRAIGHT,SPDIF	1	S.A	

5. Exploded View & Part List

Level	Location No.	Code No.	Description & Specification	Q'ty	SA/SNA	Remark
...3	CN1001_EU	3709-001551	CONNECTOR-CARD SLOT;68P,1.27mm,DIP,AU50U	1	S.A	
...3	CN330	3711-004379	HEADER-BOARD TO CABLE;BOX,4P,1R,2mm,STRA	1	S.A	
...3	CN330	3711-004531	HEADER-BOARD TO CABLE;BOX,10P,1R,2mm,ANG	1	S.A	
...3	CN2001	3711-005884	HEADER-BOARD TO BOARD;BOX,30P,2R,2mm,ANG	1	S.A	
...3	CN330	3711-006715	HEADER-BOARD TO CABLE;BOX,4P,1R,2.5mm,AN	1	S.N.A	
...3	JA3201_EU	3722-000498	JACK-SCART;21P,SN,BLK	1	S.A	
...3	JA330	3722-001061	JACK-PHONE;1P,3.6PI,AG,BLK,N	1	S.A	
...3	CN6001	3722-002516	JACK-USB;4P/1C,AU30U,BLK,STRAIGHT,A TYPE	1	S.A	
...3	JA333	3722-002691	JACK-PIN;2P,Ni,WHT/RED,STRAIGHT	1	S.A	
...3	JA333	3722-002691	JACK-PIN;2P,Ni,WHT/RED,STRAIGHT	1	S.A	
...3	JA333	3722-002703	JACK-PIN;3P,Ni,GRN/BLU/RED,STRAIGHT	1	S.A	
...3	JA333	3722-002704	JACK-PIN;3P,Sn,YEL/WHT/RED,ANGLE	1	S.A	
...3	CIS3	BN40-00137A	TUNER;DNOQ403SH151A(S),DNOQ403SH151A(S),	1	S.A	
...3	X1005	BN61-04928A	BRACKET-SUPPORT PCB;SPTPE,T 0.8,SCREW-M4	1	S.N.A	
...3	HDCP	BN97-00688A	ASSY HDCP;BN46-00018A,PS-42V6S,D73A,GENE	1	S.N.A	
...4		BN46-00018A	KEY CODE-CERTIFICATE;(HDCP KEY)PPM42M5S,	1	S.N.A	
...3	T0174	BN97-03239D	ASSY SMD;LE26B450C4WXXC	1	S.N.A	
...4	D2101	0401-001056	DIODE-SWITCHING;MMBD4148SE,100V,200mA,SO	1	S.A	
...4	D5002	0401-001056	DIODE-SWITCHING;MMBD4148SE,100V,200mA,SO	1	S.A	
...4	D5005	0401-001056	DIODE-SWITCHING;MMBD4148SE,100V,200mA,SO	1	S.A	
...4	D5010	0401-001056	DIODE-SWITCHING;MMBD4148SE,100V,200mA,SO	1	S.A	
...4	D6003	0401-001056	DIODE-SWITCHING;MMBD4148SE,100V,200mA,SO	1	S.A	
...4	D6009	0401-001056	DIODE-SWITCHING;MMBD4148SE,100V,200mA,SO	1	S.A	
...4	D6011	0401-001056	DIODE-SWITCHING;MMBD4148SE,100V,200mA,SO	1	S.A	
...4	D6025	0401-001056	DIODE-SWITCHING;MMBD4148SE,100V,200mA,SO	1	S.A	
...4	D6027	0401-001056	DIODE-SWITCHING;MMBD4148SE,100V,200mA,SO	1	S.A	
...4	D6630	0401-001056	DIODE-SWITCHING;MMBD4148SE,100V,200mA,SO	1	S.A	
...4	D7028	0401-001056	DIODE-SWITCHING;MMBD4148SE,100V,200mA,SO	1	S.A	
...4	D7030	0401-001056	DIODE-SWITCHING;MMBD4148SE,100V,200mA,SO	1	S.A	
...4	D7031	0401-001056	DIODE-SWITCHING;MMBD4148SE,100V,200mA,SO	1	S.A	
...4	D7032	0401-001056	DIODE-SWITCHING;MMBD4148SE,100V,200mA,SO	1	S.A	
...4	D6100	0401-001099	DIODE-SWITCHING;1N4148WS,75V,150mA,SOD-3	1	S.N.A	
...4	D9001	0401-001099	DIODE-SWITCHING;1N4148WS,75V,150mA,SOD-3	1	S.N.A	
...4	D9002	0401-001099	DIODE-SWITCHING;1N4148WS,75V,150mA,SOD-3	1	S.N.A	
...4	D9004	0401-001099	DIODE-SWITCHING;1N4148WS,75V,150mA,SOD-3	1	S.N.A	
...4	D9005	0401-001099	DIODE-SWITCHING;1N4148WS,75V,150mA,SOD-3	1	S.N.A	
...4	D9006	0401-001099	DIODE-SWITCHING;1N4148WS,75V,150mA,SOD-3	1	S.N.A	
...4	D9015	0401-001099	DIODE-SWITCHING;1N4148WS,75V,150mA,SOD-3	1	S.N.A	
...4	D9016	0401-001099	DIODE-SWITCHING;1N4148WS,75V,150mA,SOD-3	1	S.N.A	
...4	D2008	0402-001098	DIODE-RECTIFIER;SK34,40V,3A,SMC,TP	1	S.N.A	
...4	D2100	0402-001098	DIODE-RECTIFIER;SK34,40V,3A,SMC,TP	1	S.N.A	
...4	D10001_EU	0403-000771	DIODE-ZENER;VLZ6V2B,5.96-6.27V,500mW,SOD	1	S.A	
...4	D4001	0403-000771	DIODE-ZENER;VLZ6V2B,5.96-6.27V,500mW,SOD	1	S.A	
...4	D4331	0403-000771	DIODE-ZENER;VLZ6V2B,5.96-6.27V,500mW,SOD	1	S.A	
...4	D4332	0403-000771	DIODE-ZENER;VLZ6V2B,5.96-6.27V,500mW,SOD	1	S.A	
...4	D5001	0403-000771	DIODE-ZENER;VLZ6V2B,5.96-6.27V,500mW,SOD	1	S.A	
...4	D5003	0403-000771	DIODE-ZENER;VLZ6V2B,5.96-6.27V,500mW,SOD	1	S.A	
...4	D5004	0403-000771	DIODE-ZENER;VLZ6V2B,5.96-6.27V,500mW,SOD	1	S.A	
...4	D5006	0403-000771	DIODE-ZENER;VLZ6V2B,5.96-6.27V,500mW,SOD	1	S.A	
...4	D5007	0403-000771	DIODE-ZENER;VLZ6V2B,5.96-6.27V,500mW,SOD	1	S.A	

## 5. Exploded View &amp; Part List

Level	Location No.	Code No.	Description & Specification	Q'ty	SA/SNA	Remark
...4	D5008	0403-000771	DIODE-ZENER;VLZ6V2B,5.96-6.27V,500mW,SOD	1	S.A	
...4	D5009	0403-000771	DIODE-ZENER;VLZ6V2B,5.96-6.27V,500mW,SOD	1	S.A	
...4	D5011	0403-000771	DIODE-ZENER;VLZ6V2B,5.96-6.27V,500mW,SOD	1	S.A	
...4	D5012	0403-000771	DIODE-ZENER;VLZ6V2B,5.96-6.27V,500mW,SOD	1	S.A	
...4	D5013	0403-000771	DIODE-ZENER;VLZ6V2B,5.96-6.27V,500mW,SOD	1	S.A	
...4	D5014	0403-000771	DIODE-ZENER;VLZ6V2B,5.96-6.27V,500mW,SOD	1	S.A	
...4	D5016	0403-000771	DIODE-ZENER;VLZ6V2B,5.96-6.27V,500mW,SOD	1	S.A	
...4	D5017	0403-000771	DIODE-ZENER;VLZ6V2B,5.96-6.27V,500mW,SOD	1	S.A	
...4	D5100_FA	0403-000771	DIODE-ZENER;VLZ6V2B,5.96-6.27V,500mW,SOD	1	S.A	
...4	D5101_FA	0403-000771	DIODE-ZENER;VLZ6V2B,5.96-6.27V,500mW,SOD	1	S.A	
...4	D6001	0403-000771	DIODE-ZENER;VLZ6V2B,5.96-6.27V,500mW,SOD	1	S.A	
...4	D6002	0403-000771	DIODE-ZENER;VLZ6V2B,5.96-6.27V,500mW,SOD	1	S.A	
...4	D6017	0403-000771	DIODE-ZENER;VLZ6V2B,5.96-6.27V,500mW,SOD	1	S.A	
...4	D6018	0403-000771	DIODE-ZENER;VLZ6V2B,5.96-6.27V,500mW,SOD	1	S.A	
...4	D6302	0403-000771	DIODE-ZENER;VLZ6V2B,5.96-6.27V,500mW,SOD	1	S.A	
...4	D6418	0403-000771	DIODE-ZENER;VLZ6V2B,5.96-6.27V,500mW,SOD	1	S.A	
...4	D6631	0403-000771	DIODE-ZENER;VLZ6V2B,5.96-6.27V,500mW,SOD	1	S.A	
...4	D7004	0403-000771	DIODE-ZENER;VLZ6V2B,5.96-6.27V,500mW,SOD	1	S.A	
...4	D7008	0403-000771	DIODE-ZENER;VLZ6V2B,5.96-6.27V,500mW,SOD	1	S.A	
...4	D7009	0403-000771	DIODE-ZENER;VLZ6V2B,5.96-6.27V,500mW,SOD	1	S.A	
...4	D7012	0403-000771	DIODE-ZENER;VLZ6V2B,5.96-6.27V,500mW,SOD	1	S.A	
...4	D7014	0403-000771	DIODE-ZENER;VLZ6V2B,5.96-6.27V,500mW,SOD	1	S.A	
...4	D7016	0403-000771	DIODE-ZENER;VLZ6V2B,5.96-6.27V,500mW,SOD	1	S.A	
...4	D7100_EU	0403-000771	DIODE-ZENER;VLZ6V2B,5.96-6.27V,500mW,SOD	1	S.A	
...4	D7101_EU	0403-000771	DIODE-ZENER;VLZ6V2B,5.96-6.27V,500mW,SOD	1	S.A	
...4	D7102_EU	0403-000771	DIODE-ZENER;VLZ6V2B,5.96-6.27V,500mW,SOD	1	S.A	
...4	D7103_EU	0403-000771	DIODE-ZENER;VLZ6V2B,5.96-6.27V,500mW,SOD	1	S.A	
...4	D7105	0403-000771	DIODE-ZENER;VLZ6V2B,5.96-6.27V,500mW,SOD	1	S.A	
...4	D7106	0403-000771	DIODE-ZENER;VLZ6V2B,5.96-6.27V,500mW,SOD	1	S.A	
...4	D7116	0403-000771	DIODE-ZENER;VLZ6V2B,5.96-6.27V,500mW,SOD	1	S.A	
...4	D7117	0403-000771	DIODE-ZENER;VLZ6V2B,5.96-6.27V,500mW,SOD	1	S.A	
...4	D7118	0403-000771	DIODE-ZENER;VLZ6V2B,5.96-6.27V,500mW,SOD	1	S.A	
...4	D7202	0403-000771	DIODE-ZENER;VLZ6V2B,5.96-6.27V,500mW,SOD	1	S.A	
...4	D9003	0403-000771	DIODE-ZENER;VLZ6V2B,5.96-6.27V,500mW,SOD	1	S.A	
...4	D0254	0404-001271	DIODE-SCHOTTKY;SSA34,40V,3000mA,SMA,TP	1	S.A	
...4	D6030	0406-001200	DIODE-TVS;RCLAMP0504F,6/-V,150W,SC-70	1	S.A	
...4	D6005	0406-001299	DIODE-TVS;CM1224-04MR,MSOP-10	1	S.A	
...4	D6007	0406-001299	DIODE-TVS;CM1224-04MR,MSOP-10	1	S.A	
...4	D6008	0406-001299	DIODE-TVS;CM1224-04MR,MSOP-10	1	S.A	
...4	D6010	0406-001299	DIODE-TVS;CM1224-04MR,MSOP-10	1	S.A	
...4	D6012	0406-001299	DIODE-TVS;CM1224-04MR,MSOP-10	1	S.A	
...4	D6013	0406-001299	DIODE-TVS;CM1224-04MR,MSOP-10	1	S.A	
...4	Q1	0501-000445	TR-SMALL SIGNAL;KTC3875S-Y,NPN,150mW,SOT	1	S.A	
...4	Q11001	0501-000445	TR-SMALL SIGNAL;KTC3875S-Y,NPN,150mW,SOT	1	S.A	
...4	Q2001	0501-000445	TR-SMALL SIGNAL;KTC3875S-Y,NPN,150mW,SOT	1	S.A	
...4	Q2002	0501-000445	TR-SMALL SIGNAL;KTC3875S-Y,NPN,150mW,SOT	1	S.A	
...4	Q2004	0501-000445	TR-SMALL SIGNAL;KTC3875S-Y,NPN,150mW,SOT	1	S.A	
...4	Q3002	0501-000445	TR-SMALL SIGNAL;KTC3875S-Y,NPN,150mW,SOT	1	S.A	
...4	Q3109	0501-000445	TR-SMALL SIGNAL;KTC3875S-Y,NPN,150mW,SOT	1	S.A	
...4	Q4002_PWM	0501-000445	TR-SMALL SIGNAL;KTC3875S-Y,NPN,150mW,SOT	1	S.A	
...4	Q6003	0501-000445	TR-SMALL SIGNAL;KTC3875S-Y,NPN,150mW,SOT	1	S.A	

5. Exploded View & Part List

Level	Location No.	Code No.	Description & Specification	Q'ty	SA/SNA	Remark
...4	Q7003	0501-000445	TR-SMALL SIGNAL;KTC3875S-Y,NPN,150mW,SOT	1	S.A	
...4	Q7006	0501-000445	TR-SMALL SIGNAL;KTC3875S-Y,NPN,150mW,SOT	1	S.A	
...4	Q9005	0501-000445	TR-SMALL SIGNAL;KTC3875S-Y,NPN,150mW,SOT	1	S.A	
...4	Q7005	0501-000669	TR-SMALL SIGNAL;KTA1505Y,PNP,150mW,SOT-2	1	S.A	
...4	Q409	0505-000110	FET-SILICON;2N7002,N,60V,115mA,7.5ohm,0.	1	S.A	
...4	Q409	0505-000110	FET-SILICON;2N7002,N,60V,115mA,7.5ohm,0.	1	S.A	
...4	Q409	0505-000110	FET-SILICON;2N7002,N,60V,115mA,7.5ohm,0.	1	S.A	
...4	Q409	0505-000110	FET-SILICON;2N7002,N,60V,115mA,7.5ohm,0.	1	S.A	
...4	Q409	0505-001170	FET-SILICON;SI9933ADY-T1,P,-20V,3.4A,0.0	1	S.A	
...4	IC104	0801-002198	IC-CMOS LOGIC;74LVC14,INVERTER,SOP,14P,1	1	S.A	
...4	IC104	0801-002779	IC-CMOS LOGIC;74LVC1G125,BUS BUFFER,SOT-	1	S.N.A	
...4	IC112	1103-000129	IC-EEPROM;24C02,2Kbit,256x8Bit,SOP,8P,5x	1	S.A	
...4	IC112	1103-000129	IC-EEPROM;24C02,2Kbit,256x8Bit,SOP,8P,5x	1	S.A	
...4	IC112	1103-000129	IC-EEPROM;24C02,2Kbit,256x8Bit,SOP,8P,5x	1	S.A	
...4	IC112	1103-000129	IC-EEPROM;24C02,2Kbit,256x8Bit,SOP,8P,5x	1	S.A	
...4	IC112	1103-001441	IC-EEPROM;24C1024,1Mbit,128Kx8,SOP,8P,4.	1	S.A	
...4	IC8005	1105-001931	IC-DDR2 SDRAM;K4T51163Q,DDR2-800,512Mbit	1	S.N.A	
...4	IC8006	1105-001931	IC-DDR2 SDRAM;K4T51163Q,DDR2-800,512Mbit	1	S.N.A	
...4	IC115	1107-001777	IC-FLASH MEMORY;MX25L6405DMI-12G,64Mbit,	1	S.A	
...4	T0124	1201-002797	IC-POWER AMP;NTP-3200,QFN,56P,8x8mm,DUAL	1	S.A	
...4	T0085	1201-002849	IC-AUDIO AMP;DRV603,TSSOP,14P,5x4.4mm,DU	1	S.A	
...4	T0085	1201-002849	IC-AUDIO AMP;DRV603,TSSOP,14P,5x4.4mm,DU	1	S.A	
...4	T0087	1203-001815	IC-POSI.FIXED REG.;78M09,TO-252,3P,-,PLA	1	S.A	
...4	T0087	1203-002842	IC-POSI.FIXED REG.;AP1117D-33A,TO-252,3P	1	S.A	
...4	IC012	1203-002995	IC-POSI.ADJUST REG.;AP1117D-A,TO-252,3P,	1	S.A	
...4	IC012	1203-002995	IC-POSI.ADJUST REG.;AP1117D-A,TO-252,3P,	1	S.A	
...4	IC3002	1203-004363	IC-VOL. DETECTOR;RT9818C-29PV,SOT-23,3P,	1	S.A	
...4	IC9003	1203-004364	IC-VOL. DETECTOR;RT9818C-42PV,SOT-23,3P,	1	S.A	
...4	IC2009	1203-005279	IC-DC/DC CONVERTER;MP2372DN,SOP,8P,4.9x3	1	S.A	
...4	IC2010	1203-005279	IC-DC/DC CONVERTER;MP2372DN,SOP,8P,4.9x3	1	S.A	
...4	T0170	1203-005463	IC-SWITCH VOL. REG.;MIC2605YML,MLF,8P,2x	1	S.A	
...4	IC4010	1204-002999	IC-DECODER;SEMS12-LF,LFBGA,375P,21x21mm,	1	S.A	
...4	IC1002_EU	1205-003479	IC-SWITCH;TPS2051BDBVR,SOT-23,5P,2.9x1.6	1	S.A	
...4	IC6005	1205-003479	IC-SWITCH;TPS2051BDBVR,SOT-23,5P,2.9x1.6	1	S.A	
...4	D5015	1405-001233	VARISTOR;30Vdc,5A,1.6x0.8x0.8mm,TP	1	S.A	
...4	D5018	1405-001233	VARISTOR;30Vdc,5A,1.6x0.8x0.8mm,TP	1	S.A	
...4	D5019	1405-001233	VARISTOR;30Vdc,5A,1.6x0.8x0.8mm,TP	1	S.A	
...4	D5020	1405-001233	VARISTOR;30Vdc,5A,1.6x0.8x0.8mm,TP	1	S.A	
...4	D5021_DE	1405-001233	VARISTOR;30Vdc,5A,1.6x0.8x0.8mm,TP	1	S.A	
...4	D5022_DE	1405-001233	VARISTOR;30Vdc,5A,1.6x0.8x0.8mm,TP	1	S.A	
...4	D7003_EU	1405-001233	VARISTOR;30Vdc,5A,1.6x0.8x0.8mm,TP	1	S.A	
...4	D7007	1405-001233	VARISTOR;30Vdc,5A,1.6x0.8x0.8mm,TP	1	S.A	
...4	D7010_EU	1405-001233	VARISTOR;30Vdc,5A,1.6x0.8x0.8mm,TP	1	S.A	
...4	D7013	1405-001233	VARISTOR;30Vdc,5A,1.6x0.8x0.8mm,TP	1	S.A	
...4	D7024	1405-001233	VARISTOR;30Vdc,5A,1.6x0.8x0.8mm,TP	1	S.A	
...4	D7025	1405-001233	VARISTOR;30Vdc,5A,1.6x0.8x0.8mm,TP	1	S.A	
...4	D9100	1405-001233	VARISTOR;30Vdc,5A,1.6x0.8x0.8mm,TP	1	S.A	
...4	D9101	1405-001233	VARISTOR;30Vdc,5A,1.6x0.8x0.8mm,TP	1	S.A	
...4	R11065	2007-000067	R-CHIP;15Kohm,1%,1/10W,TP,1608	1	S.N.A	
...4	R2102	2007-000067	R-CHIP;15Kohm,1%,1/10W,TP,1608	1	S.N.A	
...4	R6800	2007-000090	R-CHIP;10Kohm,5%,1/10W,TP,1608	1	S.A	



## 5. Exploded View &amp; Part List

Level	Location No.	Code No.	Description & Specification	Q'ty	SA/SNA	Remark
...4	R4554	2007-000094	R-CHIP;22Kohm,5%,1/10W,TP,1608	1	S.A	
...4	R4578	2007-000094	R-CHIP;22Kohm,5%,1/10W,TP,1608	1	S.A	
...4	R2004	2007-000107	R-CHIP;470Kohm,5%,1/10W,TP,1608	1	S.N.A	
...4	R4592	2007-000121	R-CHIP;820ohm,5%,1/10W,TP,1608	1	S.N.A	
...4	R10003_EU	2007-000138	R-CHIP;100ohm,5%,1/16W,TP,1005	1	S.N.A	
...4	R10134_EU	2007-000138	R-CHIP;100ohm,5%,1/16W,TP,1005	1	S.N.A	
...4	R3010	2007-000138	R-CHIP;100ohm,5%,1/16W,TP,1005	1	S.N.A	
...4	R3018	2007-000138	R-CHIP;100ohm,5%,1/16W,TP,1005	1	S.N.A	
...4	R3021	2007-000138	R-CHIP;100ohm,5%,1/16W,TP,1005	1	S.N.A	
...4	R3046	2007-000138	R-CHIP;100ohm,5%,1/16W,TP,1005	1	S.N.A	
...4	R4036	2007-000138	R-CHIP;100ohm,5%,1/16W,TP,1005	1	S.N.A	
...4	R4046	2007-000138	R-CHIP;100ohm,5%,1/16W,TP,1005	1	S.N.A	
...4	R4096_PWM	2007-000138	R-CHIP;100ohm,5%,1/16W,TP,1005	1	S.N.A	
...4	R4343	2007-000138	R-CHIP;100ohm,5%,1/16W,TP,1005	1	S.N.A	
...4	R4640_NON_	2007-000138	R-CHIP;100ohm,5%,1/16W,TP,1005	1	S.N.A	
...4	R5003	2007-000138	R-CHIP;100ohm,5%,1/16W,TP,1005	1	S.N.A	
...4	R5005	2007-000138	R-CHIP;100ohm,5%,1/16W,TP,1005	1	S.N.A	
...4	R5006	2007-000138	R-CHIP;100ohm,5%,1/16W,TP,1005	1	S.N.A	
...4	R5022	2007-000138	R-CHIP;100ohm,5%,1/16W,TP,1005	1	S.N.A	
...4	R5023	2007-000138	R-CHIP;100ohm,5%,1/16W,TP,1005	1	S.N.A	
...4	R5042	2007-000138	R-CHIP;100ohm,5%,1/16W,TP,1005	1	S.N.A	
...4	R7022_EU	2007-000138	R-CHIP;100ohm,5%,1/16W,TP,1005	1	S.N.A	
...4	R7024_EU	2007-000138	R-CHIP;100ohm,5%,1/16W,TP,1005	1	S.N.A	
...4	R8036_DE	2007-000138	R-CHIP;100ohm,5%,1/16W,TP,1005	1	S.N.A	
...4	R8037_DE	2007-000138	R-CHIP;100ohm,5%,1/16W,TP,1005	1	S.N.A	
...4	R9113	2007-000138	R-CHIP;100ohm,5%,1/16W,TP,1005	1	S.N.A	
...4	R9114	2007-000138	R-CHIP;100ohm,5%,1/16W,TP,1005	1	S.N.A	
...4	R9177	2007-000138	R-CHIP;100ohm,5%,1/16W,TP,1005	1	S.N.A	
...4	R11099	2007-000140	R-CHIP;1Kohm,5%,1/16W,TP,1005	1	S.N.A	
...4	R6012	2007-000140	R-CHIP;1Kohm,5%,1/16W,TP,1005	1	S.N.A	
...4	R6049	2007-000140	R-CHIP;1Kohm,5%,1/16W,TP,1005	1	S.N.A	
...4	R6303	2007-000140	R-CHIP;1Kohm,5%,1/16W,TP,1005	1	S.N.A	
...4	R9190	2007-000140	R-CHIP;1Kohm,5%,1/16W,TP,1005	1	S.N.A	
...4	R3100	2007-000141	R-CHIP;2.2Kohm,5%,1/16W,TP,1005	1	S.N.A	
...4	R4076	2007-000141	R-CHIP;2.2Kohm,5%,1/16W,TP,1005	1	S.N.A	
...4	R4082	2007-000141	R-CHIP;2.2Kohm,5%,1/16W,TP,1005	1	S.N.A	
...4	R5019	2007-000141	R-CHIP;2.2Kohm,5%,1/16W,TP,1005	1	S.N.A	
...4	R5020	2007-000141	R-CHIP;2.2Kohm,5%,1/16W,TP,1005	1	S.N.A	
...4	R11039	2007-000143	R-CHIP;4.7Kohm,5%,1/16W,TP,1005	1	S.N.A	
...4	R2005	2007-000143	R-CHIP;4.7Kohm,5%,1/16W,TP,1005	1	S.N.A	
...4	R2015	2007-000143	R-CHIP;4.7Kohm,5%,1/16W,TP,1005	1	S.N.A	
...4	R2021	2007-000143	R-CHIP;4.7Kohm,5%,1/16W,TP,1005	1	S.N.A	
...4	R3101	2007-000143	R-CHIP;4.7Kohm,5%,1/16W,TP,1005	1	S.N.A	
...4	R3102	2007-000143	R-CHIP;4.7Kohm,5%,1/16W,TP,1005	1	S.N.A	
...4	R3103	2007-000143	R-CHIP;4.7Kohm,5%,1/16W,TP,1005	1	S.N.A	
...4	R3108	2007-000143	R-CHIP;4.7Kohm,5%,1/16W,TP,1005	1	S.N.A	
...4	R4202_PWM	2007-000143	R-CHIP;4.7Kohm,5%,1/16W,TP,1005	1	S.N.A	
...4	R4666_HD	2007-000143	R-CHIP;4.7Kohm,5%,1/16W,TP,1005	1	S.N.A	
...4	R4668_2DDR	2007-000143	R-CHIP;4.7Kohm,5%,1/16W,TP,1005	1	S.N.A	
...4	R5090	2007-000143	R-CHIP;4.7Kohm,5%,1/16W,TP,1005	1	S.N.A	
...4	R6017	2007-000143	R-CHIP;4.7Kohm,5%,1/16W,TP,1005	1	S.N.A	

5. Exploded View & Part List

Level	Location No.	Code No.	Description & Specification	Q'ty	SA/SNA	Remark
...4	R6051	2007-000143	R-CHIP;4.7Kohm,5%,1/16W,TP,1005	1	S.N.A	
...4	R6064	2007-000143	R-CHIP;4.7Kohm,5%,1/16W,TP,1005	1	S.N.A	
...4	R6304	2007-000143	R-CHIP;4.7Kohm,5%,1/16W,TP,1005	1	S.N.A	
...4	R7079	2007-000143	R-CHIP;4.7Kohm,5%,1/16W,TP,1005	1	S.N.A	
...4	R7086	2007-000143	R-CHIP;4.7Kohm,5%,1/16W,TP,1005	1	S.N.A	
...4	R9028	2007-000143	R-CHIP;4.7Kohm,5%,1/16W,TP,1005	1	S.N.A	
...4	R9030	2007-000143	R-CHIP;4.7Kohm,5%,1/16W,TP,1005	1	S.N.A	
...4	R9031	2007-000143	R-CHIP;4.7Kohm,5%,1/16W,TP,1005	1	S.N.A	
...4	R9032	2007-000143	R-CHIP;4.7Kohm,5%,1/16W,TP,1005	1	S.N.A	
...4	R9033	2007-000143	R-CHIP;4.7Kohm,5%,1/16W,TP,1005	1	S.N.A	
...4	R7019	2007-000146	R-CHIP;6.8Kohm,5%,1/16W,TP,1005	1	S.N.A	
...4	R10007_EU	2007-000148	R-CHIP;10Kohm,5%,1/16W,TP,1005	1	S.N.A	
...4	R10008_EU	2007-000148	R-CHIP;10Kohm,5%,1/16W,TP,1005	1	S.N.A	
...4	R10031_EU	2007-000148	R-CHIP;10Kohm,5%,1/16W,TP,1005	1	S.N.A	
...4	R10032_EU	2007-000148	R-CHIP;10Kohm,5%,1/16W,TP,1005	1	S.N.A	
...4	R10101_EU	2007-000148	R-CHIP;10Kohm,5%,1/16W,TP,1005	1	S.N.A	
...4	R10121_EU	2007-000148	R-CHIP;10Kohm,5%,1/16W,TP,1005	1	S.N.A	
...4	R10122_EU	2007-000148	R-CHIP;10Kohm,5%,1/16W,TP,1005	1	S.N.A	
...4	R10135_EU	2007-000148	R-CHIP;10Kohm,5%,1/16W,TP,1005	1	S.N.A	
...4	R10136_EU	2007-000148	R-CHIP;10Kohm,5%,1/16W,TP,1005	1	S.N.A	
...4	R10200_EU	2007-000148	R-CHIP;10Kohm,5%,1/16W,TP,1005	1	S.N.A	
...4	R11089	2007-000148	R-CHIP;10Kohm,5%,1/16W,TP,1005	1	S.N.A	
...4	R2014	2007-000148	R-CHIP;10Kohm,5%,1/16W,TP,1005	1	S.N.A	
...4	R2018	2007-000148	R-CHIP;10Kohm,5%,1/16W,TP,1005	1	S.N.A	
...4	R2020	2007-000148	R-CHIP;10Kohm,5%,1/16W,TP,1005	1	S.N.A	
...4	R3014	2007-000148	R-CHIP;10Kohm,5%,1/16W,TP,1005	1	S.N.A	
...4	R3015	2007-000148	R-CHIP;10Kohm,5%,1/16W,TP,1005	1	S.N.A	
...4	R3051	2007-000148	R-CHIP;10Kohm,5%,1/16W,TP,1005	1	S.N.A	
...4	R3059	2007-000148	R-CHIP;10Kohm,5%,1/16W,TP,1005	1	S.N.A	
...4	R3060	2007-000148	R-CHIP;10Kohm,5%,1/16W,TP,1005	1	S.N.A	
...4	R3061	2007-000148	R-CHIP;10Kohm,5%,1/16W,TP,1005	1	S.N.A	
...4	R3066	2007-000148	R-CHIP;10Kohm,5%,1/16W,TP,1005	1	S.N.A	
...4	R3099	2007-000148	R-CHIP;10Kohm,5%,1/16W,TP,1005	1	S.N.A	
...4	R4079_PWM	2007-000148	R-CHIP;10Kohm,5%,1/16W,TP,1005	1	S.N.A	
...4	R4081	2007-000148	R-CHIP;10Kohm,5%,1/16W,TP,1005	1	S.N.A	
...4	R4130	2007-000148	R-CHIP;10Kohm,5%,1/16W,TP,1005	1	S.N.A	
...4	R4140	2007-000148	R-CHIP;10Kohm,5%,1/16W,TP,1005	1	S.N.A	
...4	R4201_PWM	2007-000148	R-CHIP;10Kohm,5%,1/16W,TP,1005	1	S.N.A	
...4	R4475	2007-000148	R-CHIP;10Kohm,5%,1/16W,TP,1005	1	S.N.A	
...4	R4484	2007-000148	R-CHIP;10Kohm,5%,1/16W,TP,1005	1	S.N.A	
...4	R4489	2007-000148	R-CHIP;10Kohm,5%,1/16W,TP,1005	1	S.N.A	
...4	R4490	2007-000148	R-CHIP;10Kohm,5%,1/16W,TP,1005	1	S.N.A	
...4	R4491	2007-000148	R-CHIP;10Kohm,5%,1/16W,TP,1005	1	S.N.A	
...4	R4541	2007-000148	R-CHIP;10Kohm,5%,1/16W,TP,1005	1	S.N.A	
...4	R4542	2007-000148	R-CHIP;10Kohm,5%,1/16W,TP,1005	1	S.N.A	
...4	R4544	2007-000148	R-CHIP;10Kohm,5%,1/16W,TP,1005	1	S.N.A	
...4	R4626	2007-000148	R-CHIP;10Kohm,5%,1/16W,TP,1005	1	S.N.A	
...4	R4627	2007-000148	R-CHIP;10Kohm,5%,1/16W,TP,1005	1	S.N.A	
...4	R4628_TCON	2007-000148	R-CHIP;10Kohm,5%,1/16W,TP,1005	1	S.N.A	
...4	R4629_TCON	2007-000148	R-CHIP;10Kohm,5%,1/16W,TP,1005	1	S.N.A	
...4	R4630_TCON	2007-000148	R-CHIP;10Kohm,5%,1/16W,TP,1005	1	S.N.A	

## 5. Exploded View &amp; Part List

Level	Location No.	Code No.	Description & Specification	Q'ty	SA/SNA	Remark
...4	R5013	2007-000148	R-CHIP;10Kohm,5%,1/16W,TP,1005	1	S.N.A	
...4	R5014	2007-000148	R-CHIP;10Kohm,5%,1/16W,TP,1005	1	S.N.A	
...4	R5017	2007-000148	R-CHIP;10Kohm,5%,1/16W,TP,1005	1	S.N.A	
...4	R5018	2007-000148	R-CHIP;10Kohm,5%,1/16W,TP,1005	1	S.N.A	
...4	R5024	2007-000148	R-CHIP;10Kohm,5%,1/16W,TP,1005	1	S.N.A	
...4	R5025	2007-000148	R-CHIP;10Kohm,5%,1/16W,TP,1005	1	S.N.A	
...4	R5068	2007-000148	R-CHIP;10Kohm,5%,1/16W,TP,1005	1	S.N.A	
...4	R6026	2007-000148	R-CHIP;10Kohm,5%,1/16W,TP,1005	1	S.N.A	
...4	R6028	2007-000148	R-CHIP;10Kohm,5%,1/16W,TP,1005	1	S.N.A	
...4	R6029	2007-000148	R-CHIP;10Kohm,5%,1/16W,TP,1005	1	S.N.A	
...4	R6057	2007-000148	R-CHIP;10Kohm,5%,1/16W,TP,1005	1	S.N.A	
...4	R6058	2007-000148	R-CHIP;10Kohm,5%,1/16W,TP,1005	1	S.N.A	
...4	R6059	2007-000148	R-CHIP;10Kohm,5%,1/16W,TP,1005	1	S.N.A	
...4	R6065	2007-000148	R-CHIP;10Kohm,5%,1/16W,TP,1005	1	S.N.A	
...4	R6310	2007-000148	R-CHIP;10Kohm,5%,1/16W,TP,1005	1	S.N.A	
...4	R6311	2007-000148	R-CHIP;10Kohm,5%,1/16W,TP,1005	1	S.N.A	
...4	R6312	2007-000148	R-CHIP;10Kohm,5%,1/16W,TP,1005	1	S.N.A	
...4	R7023	2007-000148	R-CHIP;10Kohm,5%,1/16W,TP,1005	1	S.N.A	
...4	R7025	2007-000148	R-CHIP;10Kohm,5%,1/16W,TP,1005	1	S.N.A	
...4	R7039	2007-000148	R-CHIP;10Kohm,5%,1/16W,TP,1005	1	S.N.A	
...4	R7063	2007-000148	R-CHIP;10Kohm,5%,1/16W,TP,1005	1	S.N.A	
...4	R7064	2007-000148	R-CHIP;10Kohm,5%,1/16W,TP,1005	1	S.N.A	
...4	R9019	2007-000148	R-CHIP;10Kohm,5%,1/16W,TP,1005	1	S.N.A	
...4	R9025	2007-000148	R-CHIP;10Kohm,5%,1/16W,TP,1005	1	S.N.A	
...4	R9216	2007-000148	R-CHIP;10Kohm,5%,1/16W,TP,1005	1	S.N.A	
...4	R9217	2007-000148	R-CHIP;10Kohm,5%,1/16W,TP,1005	1	S.N.A	
...4	R9901_EU	2007-000148	R-CHIP;10Kohm,5%,1/16W,TP,1005	1	S.N.A	
...4	R9905_EU	2007-000148	R-CHIP;10Kohm,5%,1/16W,TP,1005	1	S.N.A	
...4	R2009	2007-000153	R-CHIP;22Kohm,5%,1/16W,TP,1005	1	S.N.A	
...4	R2013_12V	2007-000153	R-CHIP;22Kohm,5%,1/16W,TP,1005	1	S.N.A	
...4	R2017	2007-000153	R-CHIP;22Kohm,5%,1/16W,TP,1005	1	S.N.A	
...4	R4477_EU	2007-000153	R-CHIP;22Kohm,5%,1/16W,TP,1005	1	S.N.A	
...4	R4568_EU	2007-000153	R-CHIP;22Kohm,5%,1/16W,TP,1005	1	S.N.A	
...4	R7057	2007-000153	R-CHIP;22Kohm,5%,1/16W,TP,1005	1	S.N.A	
...4	R7007_EU	2007-000157	R-CHIP;47Kohm,5%,1/16W,TP,1005	1	S.N.A	
...4	R7009_EU	2007-000157	R-CHIP;47Kohm,5%,1/16W,TP,1005	1	S.N.A	
...4	R9115	2007-000157	R-CHIP;47Kohm,5%,1/16W,TP,1005	1	S.N.A	
...4	R9116	2007-000157	R-CHIP;47Kohm,5%,1/16W,TP,1005	1	S.N.A	
...4	R4045	2007-000170	R-CHIP;1Mohm,5%,1/16W,TP,1005	1	S.N.A	
...4	R11118_JEI	2007-000171	R-CHIP;0ohm,5%,1/16W,TP,1005	1	S.N.A	
...4	R11126_HD	2007-000171	R-CHIP;0ohm,5%,1/16W,TP,1005	1	S.N.A	
...4	R11127_HD	2007-000171	R-CHIP;0ohm,5%,1/16W,TP,1005	1	S.N.A	
...4	R11128_TCO	2007-000171	R-CHIP;0ohm,5%,1/16W,TP,1005	1	S.N.A	
...4	R11129_TCO	2007-000171	R-CHIP;0ohm,5%,1/16W,TP,1005	1	S.N.A	
...4	R11130_TCO	2007-000171	R-CHIP;0ohm,5%,1/16W,TP,1005	1	S.N.A	
...4	R11200	2007-000171	R-CHIP;0ohm,5%,1/16W,TP,1005	1	S.N.A	
...4	R11201	2007-000171	R-CHIP;0ohm,5%,1/16W,TP,1005	1	S.N.A	
...4	R12001_NAM	2007-000171	R-CHIP;0ohm,5%,1/16W,TP,1005	1	S.N.A	
...4	R2301_PWM	2007-000171	R-CHIP;0ohm,5%,1/16W,TP,1005	1	S.N.A	
...4	R4700	2007-000171	R-CHIP;0ohm,5%,1/16W,TP,1005	1	S.N.A	
...4	R4701	2007-000171	R-CHIP;0ohm,5%,1/16W,TP,1005	1	S.N.A	

5. Exploded View & Part List

Level	Location No.	Code No.	Description & Specification	Q'ty	SA/SNA	Remark
...4	R4702	2007-000171	R-CHIP;0ohm,5%,1/16W,TP,1005	1	S.N.A	
...4	R4703	2007-000171	R-CHIP;0ohm,5%,1/16W,TP,1005	1	S.N.A	
...4	R5910_FA	2007-000171	R-CHIP;0ohm,5%,1/16W,TP,1005	1	S.N.A	
...4	R5911_FA	2007-000171	R-CHIP;0ohm,5%,1/16W,TP,1005	1	S.N.A	
...4	R6016	2007-000172	R-CHIP;10ohm,5%,1/16W,TP,1005	1	S.N.A	
...4	R6050	2007-000172	R-CHIP;10ohm,5%,1/16W,TP,1005	1	S.N.A	
...4	R6350	2007-000172	R-CHIP;10ohm,5%,1/16W,TP,1005	1	S.N.A	
...4	R8306	2007-000173	R-CHIP;22ohm,5%,1/16W,TP,1005	1	S.N.A	
...4	R8307	2007-000173	R-CHIP;22ohm,5%,1/16W,TP,1005	1	S.N.A	
...4	R8323	2007-000173	R-CHIP;22ohm,5%,1/16W,TP,1005	1	S.N.A	
...4	R8325	2007-000173	R-CHIP;22ohm,5%,1/16W,TP,1005	1	S.N.A	
...4	R8326	2007-000173	R-CHIP;22ohm,5%,1/16W,TP,1005	1	S.N.A	
...4	R8333	2007-000173	R-CHIP;22ohm,5%,1/16W,TP,1005	1	S.N.A	
...4	R8335	2007-000173	R-CHIP;22ohm,5%,1/16W,TP,1005	1	S.N.A	
...4	R8336	2007-000173	R-CHIP;22ohm,5%,1/16W,TP,1005	1	S.N.A	
...4	R8349	2007-000173	R-CHIP;22ohm,5%,1/16W,TP,1005	1	S.N.A	
...4	R8355	2007-000173	R-CHIP;22ohm,5%,1/16W,TP,1005	1	S.N.A	
...4	R8357	2007-000173	R-CHIP;22ohm,5%,1/16W,TP,1005	1	S.N.A	
...4	R8358	2007-000173	R-CHIP;22ohm,5%,1/16W,TP,1005	1	S.N.A	
...4	R8404	2007-000173	R-CHIP;22ohm,5%,1/16W,TP,1005	1	S.N.A	
...4	R8430	2007-000173	R-CHIP;22ohm,5%,1/16W,TP,1005	1	S.N.A	
...4	R8438	2007-000173	R-CHIP;22ohm,5%,1/16W,TP,1005	1	S.N.A	
...4	R8496	2007-000173	R-CHIP;22ohm,5%,1/16W,TP,1005	1	S.N.A	
...4	R8638	2007-000173	R-CHIP;22ohm,5%,1/16W,TP,1005	1	S.N.A	
...4	R3402	2007-000174	R-CHIP;47ohm,5%,1/16W,TP,1005	1	S.N.A	
...4	R3403	2007-000174	R-CHIP;47ohm,5%,1/16W,TP,1005	1	S.N.A	
...4	R4005	2007-000174	R-CHIP;47ohm,5%,1/16W,TP,1005	1	S.N.A	
...4	R4006	2007-000174	R-CHIP;47ohm,5%,1/16W,TP,1005	1	S.N.A	
...4	R4017	2007-000174	R-CHIP;47ohm,5%,1/16W,TP,1005	1	S.N.A	
...4	R4021	2007-000174	R-CHIP;47ohm,5%,1/16W,TP,1005	1	S.N.A	
...4	R4022	2007-000174	R-CHIP;47ohm,5%,1/16W,TP,1005	1	S.N.A	
...4	R4333	2007-000174	R-CHIP;47ohm,5%,1/16W,TP,1005	1	S.N.A	
...4	R4334	2007-000174	R-CHIP;47ohm,5%,1/16W,TP,1005	1	S.N.A	
...4	R4344	2007-000174	R-CHIP;47ohm,5%,1/16W,TP,1005	1	S.N.A	
...4	R4345	2007-000174	R-CHIP;47ohm,5%,1/16W,TP,1005	1	S.N.A	
...4	R4590	2007-000174	R-CHIP;47ohm,5%,1/16W,TP,1005	1	S.N.A	
...4	R4591	2007-000174	R-CHIP;47ohm,5%,1/16W,TP,1005	1	S.N.A	
...4	R5015	2007-000174	R-CHIP;47ohm,5%,1/16W,TP,1005	1	S.N.A	
...4	R5016	2007-000174	R-CHIP;47ohm,5%,1/16W,TP,1005	1	S.N.A	
...4	R5028	2007-000174	R-CHIP;47ohm,5%,1/16W,TP,1005	1	S.N.A	
...4	R5029	2007-000174	R-CHIP;47ohm,5%,1/16W,TP,1005	1	S.N.A	
...4	R5031	2007-000174	R-CHIP;47ohm,5%,1/16W,TP,1005	1	S.N.A	
...4	R5055	2007-000174	R-CHIP;47ohm,5%,1/16W,TP,1005	1	S.N.A	
...4	R5056	2007-000174	R-CHIP;47ohm,5%,1/16W,TP,1005	1	S.N.A	
...4	R6034	2007-000174	R-CHIP;47ohm,5%,1/16W,TP,1005	1	S.N.A	
...4	R6035	2007-000174	R-CHIP;47ohm,5%,1/16W,TP,1005	1	S.N.A	
...4	R6061	2007-000174	R-CHIP;47ohm,5%,1/16W,TP,1005	1	S.N.A	
...4	R6062	2007-000174	R-CHIP;47ohm,5%,1/16W,TP,1005	1	S.N.A	
...4	R6313	2007-000174	R-CHIP;47ohm,5%,1/16W,TP,1005	1	S.N.A	
...4	R6314	2007-000174	R-CHIP;47ohm,5%,1/16W,TP,1005	1	S.N.A	
...4	R7034	2007-000174	R-CHIP;47ohm,5%,1/16W,TP,1005	1	S.N.A	

## 5. Exploded View &amp; Part List

Level	Location No.	Code No.	Description & Specification	Q'ty	SA/SNA	Remark
....4	R7035	2007-000174	R-CHIP;47ohm,5%,1/16W,TP,1005	1	S.N.A	
....4	R7036	2007-000174	R-CHIP;47ohm,5%,1/16W,TP,1005	1	S.N.A	
....4	R5064	2007-000640	R-CHIP;270ohm,1%,1/10W,TP,1608	1	S.A	
....4	R5067	2007-000640	R-CHIP;270ohm,1%,1/10W,TP,1608	1	S.A	
....4	R9020	2007-000695	R-CHIP;3.3ohm,5%,1/10W,TP,1608	1	S.A	
....4	R9021	2007-000695	R-CHIP;3.3ohm,5%,1/10W,TP,1608	1	S.A	
....4	R9022	2007-000695	R-CHIP;3.3ohm,5%,1/10W,TP,1608	1	S.A	
....4	R9023	2007-000695	R-CHIP;3.3ohm,5%,1/10W,TP,1608	1	S.A	
....4	R2032	2007-000708	R-CHIP;3.9Kohm,1%,1/10W,TP,1608	1	S.A	
....4	R5571	2007-000763	R-CHIP;330ohm,1%,1/10W,TP,1608	1	S.N.A	
....4	R4587	2007-000821	R-CHIP;390ohm,1%,1/10W,TP,1608	1	S.N.A	
....4	R2103	2007-000828	R-CHIP;39Kohm,1%,1/10W,TP,1608	1	S.A	
....4	R11054	2007-000932	R-CHIP;470ohm,5%,1/16W,TP,1005	1	S.N.A	
....4	R5087	2007-000932	R-CHIP;470ohm,5%,1/16W,TP,1005	1	S.N.A	
....4	R7043	2007-000932	R-CHIP;470ohm,5%,1/16W,TP,1005	1	S.N.A	
....4	R7077	2007-000932	R-CHIP;470ohm,5%,1/16W,TP,1005	1	S.N.A	
....4	R9080	2007-000932	R-CHIP;470ohm,5%,1/16W,TP,1005	1	S.N.A	
....4	R9931_EU	2007-000932	R-CHIP;470ohm,5%,1/16W,TP,1005	1	S.N.A	
....4	R9932_EU	2007-000932	R-CHIP;470ohm,5%,1/16W,TP,1005	1	S.N.A	
....4	R9935	2007-000932	R-CHIP;470ohm,5%,1/16W,TP,1005	1	S.N.A	
....4	R9936	2007-000932	R-CHIP;470ohm,5%,1/16W,TP,1005	1	S.N.A	
....4	R2101	2007-001175	R-CHIP;8.2Kohm,1%,1/10W,TP,1608	1	S.A	
....4	R7054	2007-001217	R-CHIP;82ohm,5%,1/16W,TP,1005	1	S.N.A	
....4	R6055	2007-001285	R-CHIP;5.6ohm,5%,1/16W,TP,1005	1	S.A	
....4	R6056	2007-001285	R-CHIP;5.6ohm,5%,1/16W,TP,1005	1	S.A	
....4	R2400	2007-001292	R-CHIP;33ohm,5%,1/16W,TP,1005	1	S.N.A	
....4	R4132	2007-001292	R-CHIP;33ohm,5%,1/16W,TP,1005	1	S.N.A	
....4	R4133	2007-001292	R-CHIP;33ohm,5%,1/16W,TP,1005	1	S.N.A	
....4	R4134	2007-001292	R-CHIP;33ohm,5%,1/16W,TP,1005	1	S.N.A	
....4	R4142	2007-001292	R-CHIP;33ohm,5%,1/16W,TP,1005	1	S.N.A	
....4	R4143	2007-001292	R-CHIP;33ohm,5%,1/16W,TP,1005	1	S.N.A	
....4	R4144	2007-001292	R-CHIP;33ohm,5%,1/16W,TP,1005	1	S.N.A	
....4	R4401	2007-001292	R-CHIP;33ohm,5%,1/16W,TP,1005	1	S.N.A	
....4	R4402	2007-001292	R-CHIP;33ohm,5%,1/16W,TP,1005	1	S.N.A	
....4	R4403	2007-001292	R-CHIP;33ohm,5%,1/16W,TP,1005	1	S.N.A	
....4	R4404	2007-001292	R-CHIP;33ohm,5%,1/16W,TP,1005	1	S.N.A	
....4	R4405	2007-001292	R-CHIP;33ohm,5%,1/16W,TP,1005	1	S.N.A	
....4	R4406	2007-001292	R-CHIP;33ohm,5%,1/16W,TP,1005	1	S.N.A	
....4	R4407	2007-001292	R-CHIP;33ohm,5%,1/16W,TP,1005	1	S.N.A	
....4	R4408	2007-001292	R-CHIP;33ohm,5%,1/16W,TP,1005	1	S.N.A	
....4	R4409	2007-001292	R-CHIP;33ohm,5%,1/16W,TP,1005	1	S.N.A	
....4	R4410	2007-001292	R-CHIP;33ohm,5%,1/16W,TP,1005	1	S.N.A	
....4	R4411	2007-001292	R-CHIP;33ohm,5%,1/16W,TP,1005	1	S.N.A	
....4	R4412	2007-001292	R-CHIP;33ohm,5%,1/16W,TP,1005	1	S.N.A	
....4	R4413	2007-001292	R-CHIP;33ohm,5%,1/16W,TP,1005	1	S.N.A	
....4	R7055	2007-001298	R-CHIP;51ohm,5%,1/16W,TP,1005	1	S.N.A	
....4	R8017	2007-001306	R-CHIP;150ohm,5%,1/16W,TP,1005	1	S.A	
....4	R8117	2007-001306	R-CHIP;150ohm,5%,1/16W,TP,1005	1	S.A	
....4	R7052	2007-001307	R-CHIP;180ohm,5%,1/16W,TP,1005	1	S.N.A	
....4	R2036	2007-001325	R-CHIP;3.3Kohm,5%,1/16W,TP,1005	1	S.N.A	
....4	R4093_PWM	2007-001325	R-CHIP;3.3Kohm,5%,1/16W,TP,1005	1	S.N.A	

5. Exploded View & Part List

Level	Location No.	Code No.	Description & Specification	Q'ty	SA/SNA	Remark
...4	R9079	2007-001325	R-CHIP;3.3Kohm,5%,1/16W,TP,1005	1	S.N.A	
...4	R5021	2007-001333	R-CHIP;18Kohm,5%,1/16W,TP,1005	1	S.N.A	
...4	R5026	2007-001333	R-CHIP;18Kohm,5%,1/16W,TP,1005	1	S.N.A	
...4	R5027	2007-001333	R-CHIP;18Kohm,5%,1/16W,TP,1005	1	S.N.A	
...4	R5034	2007-001333	R-CHIP;18Kohm,5%,1/16W,TP,1005	1	S.N.A	
...4	R7011_EU	2007-001333	R-CHIP;18Kohm,5%,1/16W,TP,1005	1	S.N.A	
...4	R7030	2007-001333	R-CHIP;18Kohm,5%,1/16W,TP,1005	1	S.N.A	
...4	R7032	2007-001333	R-CHIP;18Kohm,5%,1/16W,TP,1005	1	S.N.A	
...4	R7067	2007-001333	R-CHIP;18Kohm,5%,1/16W,TP,1005	1	S.N.A	
...4	R7068	2007-001333	R-CHIP;18Kohm,5%,1/16W,TP,1005	1	S.N.A	
...4	R2035	2007-002906	R-CHIP;200Kohm,1%,1/10W,TP,1608	1	S.A	
...4	R2100	2007-002906	R-CHIP;200Kohm,1%,1/10W,TP,1608	1	S.A	
...4	R5043	2007-002906	R-CHIP;200Kohm,1%,1/10W,TP,1608	1	S.A	
...4	R6001	2007-002906	R-CHIP;200Kohm,1%,1/10W,TP,1608	1	S.A	
...4	R6038	2007-002906	R-CHIP;200Kohm,1%,1/10W,TP,1608	1	S.A	
...4	R10011_EU	2007-007009	R-CHIP;75ohm,5%,1/16W,TP,1005	1	S.N.A	
...4	R10012_EU	2007-007009	R-CHIP;75ohm,5%,1/16W,TP,1005	1	S.N.A	
...4	R10013_EU	2007-007009	R-CHIP;75ohm,5%,1/16W,TP,1005	1	S.N.A	
...4	R10123_EU	2007-007009	R-CHIP;75ohm,5%,1/16W,TP,1005	1	S.N.A	
...4	R10124_EU	2007-007009	R-CHIP;75ohm,5%,1/16W,TP,1005	1	S.N.A	
...4	R10125_EU	2007-007009	R-CHIP;75ohm,5%,1/16W,TP,1005	1	S.N.A	
...4	R5004	2007-007009	R-CHIP;75ohm,5%,1/16W,TP,1005	1	S.N.A	
...4	R5008	2007-007009	R-CHIP;75ohm,5%,1/16W,TP,1005	1	S.N.A	
...4	R5009	2007-007009	R-CHIP;75ohm,5%,1/16W,TP,1005	1	S.N.A	
...4	R5010	2007-007009	R-CHIP;75ohm,5%,1/16W,TP,1005	1	S.N.A	
...4	R5011	2007-007009	R-CHIP;75ohm,5%,1/16W,TP,1005	1	S.N.A	
...4	R5012	2007-007009	R-CHIP;75ohm,5%,1/16W,TP,1005	1	S.N.A	
...4	R5044	2007-007009	R-CHIP;75ohm,5%,1/16W,TP,1005	1	S.N.A	
...4	R7001	2007-007009	R-CHIP;75ohm,5%,1/16W,TP,1005	1	S.N.A	
...4	R7010	2007-007009	R-CHIP;75ohm,5%,1/16W,TP,1005	1	S.N.A	
...4	R7012_EU	2007-007009	R-CHIP;75ohm,5%,1/16W,TP,1005	1	S.N.A	
...4	R7014	2007-007009	R-CHIP;75ohm,5%,1/16W,TP,1005	1	S.N.A	
...4	R7015	2007-007009	R-CHIP;75ohm,5%,1/16W,TP,1005	1	S.N.A	
...4	R7020_EU	2007-007009	R-CHIP;75ohm,5%,1/16W,TP,1005	1	S.N.A	
...4	R7056	2007-007009	R-CHIP;75ohm,5%,1/16W,TP,1005	1	S.N.A	
...4	R4594	2007-007107	R-CHIP;100Kohm,1%,1/16W,TP,1005	1	S.N.A	
...4	R5046	2007-007107	R-CHIP;100Kohm,1%,1/16W,TP,1005	1	S.N.A	
...4	R9930_EU	2007-007107	R-CHIP;100Kohm,1%,1/16W,TP,1005	1	S.N.A	
...4	R9933_EU	2007-007107	R-CHIP;100Kohm,1%,1/16W,TP,1005	1	S.N.A	
...4	R9934	2007-007107	R-CHIP;100Kohm,1%,1/16W,TP,1005	1	S.N.A	
...4	R9937	2007-007107	R-CHIP;100Kohm,1%,1/16W,TP,1005	1	S.N.A	
...4	R2016	2007-007142	R-CHIP;10Kohm,1%,1/16W,TP,1005	1	S.N.A	
...4	R2034	2007-007142	R-CHIP;10Kohm,1%,1/16W,TP,1005	1	S.N.A	
...4	R4095	2007-007142	R-CHIP;10Kohm,1%,1/16W,TP,1005	1	S.N.A	
...4	R4352	2007-007142	R-CHIP;10Kohm,1%,1/16W,TP,1005	1	S.N.A	
...4	R2028	2007-007156	R-CHIP;1ohm,5%,1/16W,TP,1005	1	S.N.A	
...4	R2037	2007-007156	R-CHIP;1ohm,5%,1/16W,TP,1005	1	S.N.A	
...4	R2039	2007-007156	R-CHIP;1ohm,5%,1/16W,TP,1005	1	S.N.A	
...4	R5899	2007-007156	R-CHIP;1ohm,5%,1/16W,TP,1005	1	S.N.A	
...4	R5570	2007-007297	R-CHIP;110ohm,1%,1/10W,TP,1608	1	S.A	
...4	R3110	2007-007318	R-CHIP;1Kohm,1%,1/16W,TP,1005	1	S.N.A	

## 5. Exploded View &amp; Part List

Level	Location No.	Code No.	Description & Specification	Q'ty	SA/SNA	Remark
...4	R4316	2007-007318	R-CHIP;1Kohm,1%,1/16W,TP,1005	1	S.N.A	
...4	R5900	2007-007318	R-CHIP;1Kohm,1%,1/16W,TP,1005	1	S.N.A	
...4	R8329	2007-007318	R-CHIP;1Kohm,1%,1/16W,TP,1005	1	S.N.A	
...4	R8330	2007-007318	R-CHIP;1Kohm,1%,1/16W,TP,1005	1	S.N.A	
...4	R8363	2007-007318	R-CHIP;1Kohm,1%,1/16W,TP,1005	1	S.N.A	
...4	R8364	2007-007318	R-CHIP;1Kohm,1%,1/16W,TP,1005	1	S.N.A	
...4	R2022	2007-007319	R-CHIP;390ohm,1%,1/16W,TP,1005	1	S.N.A	
...4	R2027	2007-007650	R-CHIP;274ohm,1%,1/10W,TP,1608	1	S.A	
...4	R2026	2007-007721	R-CHIP;560ohm,1%,1/10W,TP,1608	1	S.A	
...4	R4094	2007-007791	R-CHIP;9.1Kohm,1%,1/16W,TP,1005	1	S.N.A	
...4	R4351	2007-007791	R-CHIP;9.1Kohm,1%,1/16W,TP,1005	1	S.N.A	
...4	RA3007	2011-000515	R-NETWORK;4.7Kohm,5%,1/16W,L,CHIP,8P,TP,	1	S.N.A	
...4	RA4000	2011-000651	R-NETWORK;10ohm,5%,1/16W,L,CHIP,8P,TP,32	1	S.N.A	
...4	RA4001	2011-000651	R-NETWORK;10ohm,5%,1/16W,L,CHIP,8P,TP,32	1	S.N.A	
...4	RA4002	2011-000651	R-NETWORK;10ohm,5%,1/16W,L,CHIP,8P,TP,32	1	S.N.A	
...4	RA4003	2011-000651	R-NETWORK;10ohm,5%,1/16W,L,CHIP,8P,TP,32	1	S.N.A	
...4	RA4004	2011-000651	R-NETWORK;10ohm,5%,1/16W,L,CHIP,8P,TP,32	1	S.N.A	
...4	RA4005	2011-000651	R-NETWORK;10ohm,5%,1/16W,L,CHIP,8P,TP,32	1	S.N.A	
...4	R11102	2011-001001	R-NETWORK;0ohm,5%,1/16W,L,CHIP,8P,TP,3.2	1	S.A	
...4	R11103	2011-001001	R-NETWORK;0ohm,5%,1/16W,L,CHIP,8P,TP,3.2	1	S.A	
...4	RA1100_HD	2011-001001	R-NETWORK;0ohm,5%,1/16W,L,CHIP,8P,TP,3.2	1	S.A	
...4	RA1101_HD	2011-001001	R-NETWORK;0ohm,5%,1/16W,L,CHIP,8P,TP,3.2	1	S.A	
...4	RA3001	2011-001011	R-NETWORK;10Kohm,5%,1/16W,L,CHIP,8P,TP,3	1	S.A	
...4	RA4102	2011-001011	R-NETWORK;10Kohm,5%,1/16W,L,CHIP,8P,TP,3	1	S.A	
...4	R10004_EU	2011-001087	R-NETWORK;75ohm,5%,1/16W,L,CHIP,8P,TP,3.	1	S.A	
...4	R10010_EU	2011-001087	R-NETWORK;75ohm,5%,1/16W,L,CHIP,8P,TP,3.	1	S.A	
...4	R10126_EU	2011-001087	R-NETWORK;75ohm,5%,1/16W,L,CHIP,8P,TP,3.	1	S.A	
...4	R10127_EU	2011-001087	R-NETWORK;75ohm,5%,1/16W,L,CHIP,8P,TP,3.	1	S.A	
...4	R3024	2011-001093	R-NETWORK;100ohm,5%,1/16W,L,CHIP,8P,TP,3	1	S.A	
...4	R3025	2011-001093	R-NETWORK;100ohm,5%,1/16W,L,CHIP,8P,TP,3	1	S.A	
...4	RA3002	2011-001093	R-NETWORK;100ohm,5%,1/16W,L,CHIP,8P,TP,3	1	S.A	
...4	RA3003	2011-001093	R-NETWORK;100ohm,5%,1/16W,L,CHIP,8P,TP,3	1	S.A	
...4	RA3004	2011-001093	R-NETWORK;100ohm,5%,1/16W,L,CHIP,8P,TP,3	1	S.A	
...4	RA3005	2011-001093	R-NETWORK;100ohm,5%,1/16W,L,CHIP,8P,TP,3	1	S.A	
...4	RA3006	2011-001093	R-NETWORK;100ohm,5%,1/16W,L,CHIP,8P,TP,3	1	S.A	
...4	RA4100	2011-001093	R-NETWORK;100ohm,5%,1/16W,L,CHIP,8P,TP,3	1	S.A	
...4	RA4101	2011-001093	R-NETWORK;100ohm,5%,1/16W,L,CHIP,8P,TP,3	1	S.A	
...4	RA4014	2011-001261	R-NETWORK;33ohm,5%,1/16W,L,CHIP,8P,TP,2.	1	S.A	
...4	R8321	2011-001262	R-NETWORK;22ohm,5%,1/16W,L,CHIP,8P,TP,2.	1	S.A	
...4	R8322	2011-001262	R-NETWORK;22ohm,5%,1/16W,L,CHIP,8P,TP,2.	1	S.A	
...4	R8324	2011-001262	R-NETWORK;22ohm,5%,1/16W,L,CHIP,8P,TP,2.	1	S.A	
...4	R8327	2011-001262	R-NETWORK;22ohm,5%,1/16W,L,CHIP,8P,TP,2.	1	S.A	
...4	R8401	2011-001262	R-NETWORK;22ohm,5%,1/16W,L,CHIP,8P,TP,2.	1	S.A	
...4	R8402	2011-001262	R-NETWORK;22ohm,5%,1/16W,L,CHIP,8P,TP,2.	1	S.A	
...4	R8403	2011-001262	R-NETWORK;22ohm,5%,1/16W,L,CHIP,8P,TP,2.	1	S.A	
...4	R8405	2011-001262	R-NETWORK;22ohm,5%,1/16W,L,CHIP,8P,TP,2.	1	S.A	
...4	R8406	2011-001262	R-NETWORK;22ohm,5%,1/16W,L,CHIP,8P,TP,2.	1	S.A	
...4	R8407	2011-001262	R-NETWORK;22ohm,5%,1/16W,L,CHIP,8P,TP,2.	1	S.A	
...4	R8408	2011-001262	R-NETWORK;22ohm,5%,1/16W,L,CHIP,8P,TP,2.	1	S.A	
...4	R8409	2011-001262	R-NETWORK;22ohm,5%,1/16W,L,CHIP,8P,TP,2.	1	S.A	
...4	R8410	2011-001262	R-NETWORK;22ohm,5%,1/16W,L,CHIP,8P,TP,2.	1	S.A	

5. Exploded View & Part List

Level	Location No.	Code No.	Description & Specification	Q'ty	SA/SNA	Remark
...4	R8433	2011-001262	R-NETWORK;22ohm,5%,1/16W,L,CHIP,8P,TP,2.	1	S.A	
...4	R8434	2011-001262	R-NETWORK;22ohm,5%,1/16W,L,CHIP,8P,TP,2.	1	S.A	
...4	R8435	2011-001262	R-NETWORK;22ohm,5%,1/16W,L,CHIP,8P,TP,2.	1	S.A	
...4	R8436	2011-001262	R-NETWORK;22ohm,5%,1/16W,L,CHIP,8P,TP,2.	1	S.A	
...4	R8437	2011-001262	R-NETWORK;22ohm,5%,1/16W,L,CHIP,8P,TP,2.	1	S.A	
...4	R8504	2011-001262	R-NETWORK;22ohm,5%,1/16W,L,CHIP,8P,TP,2.	1	S.A	
...4	RA9000	2011-001262	R-NETWORK;22ohm,5%,1/16W,L,CHIP,8P,TP,2.	1	S.A	
...4	C9047	2203-000125	C-CER,CHIP;1.2nF,10%,50V,X7R,TP,1608,-	1	S.A	
...4	C9048	2203-000125	C-CER,CHIP;1.2nF,10%,50V,X7R,TP,1608,-	1	S.A	
...4	C9049	2203-000125	C-CER,CHIP;1.2nF,10%,50V,X7R,TP,1608,-	1	S.A	
...4	C9050	2203-000125	C-CER,CHIP;1.2nF,10%,50V,X7R,TP,1608,-	1	S.A	
...4	C5027	2203-000221	C-CER,CHIP;100nF,20%,50V,Y5V,TP,3216	1	S.A	
...4	C7003	2203-000233	C-CER,CHIP;0.1nF,5%,50V,C0G,1005	1	S.A	
...4	C7009_EU	2203-000233	C-CER,CHIP;0.1nF,5%,50V,C0G,1005	1	S.A	
...4	C9096	2203-000233	C-CER,CHIP;0.1nF,5%,50V,C0G,1005	1	S.A	
...4	C9930_EU	2203-000233	C-CER,CHIP;0.1nF,5%,50V,C0G,1005	1	S.A	
...4	C9933_EU	2203-000233	C-CER,CHIP;0.1nF,5%,50V,C0G,1005	1	S.A	
...4	C9934	2203-000233	C-CER,CHIP;0.1nF,5%,50V,C0G,1005	1	S.A	
...4	C9937	2203-000233	C-CER,CHIP;0.1nF,5%,50V,C0G,1005	1	S.A	
...4	C11043	2203-000438	C-CER,CHIP;1nF,10%,50V,X7R,1005	1	S.A	
...4	C3006	2203-000438	C-CER,CHIP;1nF,10%,50V,X7R,1005	1	S.A	
...4	C4041	2203-000438	C-CER,CHIP;1nF,10%,50V,X7R,1005	1	S.A	
...4	C4100_PWM	2203-000438	C-CER,CHIP;1nF,10%,50V,X7R,1005	1	S.A	
...4	C4322	2203-000438	C-CER,CHIP;1nF,10%,50V,X7R,1005	1	S.A	
...4	C4353	2203-000438	C-CER,CHIP;1nF,10%,50V,X7R,1005	1	S.A	
...4	C4422	2203-000438	C-CER,CHIP;1nF,10%,50V,X7R,1005	1	S.A	
...4	C8023_DE	2203-000438	C-CER,CHIP;1nF,10%,50V,X7R,1005	1	S.A	
...4	C8024_DE	2203-000438	C-CER,CHIP;1nF,10%,50V,X7R,1005	1	S.A	
...4	C8332	2203-000438	C-CER,CHIP;1nF,10%,50V,X7R,1005	1	S.A	
...4	C8367	2203-000438	C-CER,CHIP;1nF,10%,50V,X7R,1005	1	S.A	
...4	C9075	2203-000438	C-CER,CHIP;1nF,10%,50V,X7R,1005	1	S.A	
...4	C9400	2203-000438	C-CER,CHIP;1nF,10%,50V,X7R,1005	1	S.A	
...4	C4178	2203-000491	C-CER,CHIP;2.2nF,10%,50V,X7R,1608	1	S.A	
...4	C4455	2203-000491	C-CER,CHIP;2.2nF,10%,50V,X7R,1608	1	S.A	
...4	C4478_EU	2203-000491	C-CER,CHIP;2.2nF,10%,50V,X7R,1608	1	S.A	
...4	C4479_EU	2203-000491	C-CER,CHIP;2.2nF,10%,50V,X7R,1608	1	S.A	
...4	C3010	2203-000626	C-CER,CHIP;0.022nF,5%,50V,C0G,1608	1	S.N.A	
...4	C3011	2203-000626	C-CER,CHIP;0.022nF,5%,50V,C0G,1608	1	S.N.A	
...4	C9033	2203-000838	C-CER,CHIP;0.39nF,5%,50V,C0G,TP,1608	1	S.A	
...4	C9034	2203-000838	C-CER,CHIP;0.39nF,5%,50V,C0G,TP,1608	1	S.A	
...4	C9035	2203-000838	C-CER,CHIP;0.39nF,5%,50V,C0G,TP,1608	1	S.A	
...4	C9036	2203-000838	C-CER,CHIP;0.39nF,5%,50V,C0G,TP,1608	1	S.A	
...4	C2104	2203-000925	C-CER,CHIP;470nF,+80-20%,50V,Y5V,2012	1	S.A	
...4	C9010	2203-000995	C-CER,CHIP;0.047nF,5%,50V,C0G,1005	1	S.A	
...4	C9014	2203-000995	C-CER,CHIP;0.047nF,5%,50V,C0G,1005	1	S.A	
...4	C2102	2203-001103	C-CER,CHIP;6.8nF,10%,50V,X7R,1608	1	S.A	
...4	C2605	2203-001103	C-CER,CHIP;6.8nF,10%,50V,X7R,1608	1	S.A	
...4	C4038	2203-001412	C-CER,CHIP;0.03nF,5%,50V,NP0,TP,1005	1	S.N.A	
...4	C4039	2203-001412	C-CER,CHIP;0.03nF,5%,50V,NP0,TP,1005	1	S.N.A	
...4	C4492	2203-001412	C-CER,CHIP;0.03nF,5%,50V,NP0,TP,1005	1	S.N.A	
...4	C5001	2203-001412	C-CER,CHIP;0.03nF,5%,50V,NP0,TP,1005	1	S.N.A	



Level	Location No.	Code No.	Description & Specification	Q'ty	SA/SNA	Remark
...4	C5005	2203-001412	C-CER,CHIP;0.03nF,5%,50V,NP0,TP,1005	1	S.N.A	
...4	C5007	2203-001412	C-CER,CHIP;0.03nF,5%,50V,NP0,TP,1005	1	S.N.A	
...4	C5009	2203-001412	C-CER,CHIP;0.03nF,5%,50V,NP0,TP,1005	1	S.N.A	
...4	C5010	2203-001412	C-CER,CHIP;0.03nF,5%,50V,NP0,TP,1005	1	S.N.A	
...4	C7004_EU	2203-001412	C-CER,CHIP;0.03nF,5%,50V,NP0,TP,1005	1	S.N.A	
...4	C7025	2203-001412	C-CER,CHIP;0.03nF,5%,50V,NP0,TP,1005	1	S.N.A	
...4	C7035	2203-001412	C-CER,CHIP;0.03nF,5%,50V,NP0,TP,1005	1	S.N.A	
...4	C2006	2203-001596	C-CER,CHIP;2200nF,+80-20%,50V,Y5V,2012	1	S.A	
...4	C4025	2203-001598	C-CER,CHIP;2200nF,+80-20%,16V,Y5V,2012	1	S.N.A	
...4	C4026	2203-001598	C-CER,CHIP;2200nF,+80-20%,16V,Y5V,2012	1	S.N.A	
...4	C4029	2203-001598	C-CER,CHIP;2200nF,+80-20%,16V,Y5V,2012	1	S.N.A	
...4	C4030	2203-001598	C-CER,CHIP;2200nF,+80-20%,16V,Y5V,2012	1	S.N.A	
...4	C4031	2203-001598	C-CER,CHIP;2200nF,+80-20%,16V,Y5V,2012	1	S.N.A	
...4	C4032	2203-001598	C-CER,CHIP;2200nF,+80-20%,16V,Y5V,2012	1	S.N.A	
...4	C4034	2203-001598	C-CER,CHIP;2200nF,+80-20%,16V,Y5V,2012	1	S.N.A	
...4	C4046	2203-001598	C-CER,CHIP;2200nF,+80-20%,16V,Y5V,2012	1	S.N.A	
...4	C4047	2203-001598	C-CER,CHIP;2200nF,+80-20%,16V,Y5V,2012	1	S.N.A	
...4	C10009_EU	2203-002285	C-CER,CHIP;10nF,10%,50V,X7R,1005	1	S.N.A	
...4	C10034_EU	2203-002285	C-CER,CHIP;10nF,10%,50V,X7R,1005	1	S.N.A	
...4	C2602	2203-002285	C-CER,CHIP;10nF,10%,50V,X7R,1005	1	S.N.A	
...4	C2603	2203-002285	C-CER,CHIP;10nF,10%,50V,X7R,1005	1	S.N.A	
...4	C2700	2203-002285	C-CER,CHIP;10nF,10%,50V,X7R,1005	1	S.N.A	
...4	C3005	2203-002285	C-CER,CHIP;10nF,10%,50V,X7R,1005	1	S.N.A	
...4	C7036	2203-002285	C-CER,CHIP;10nF,10%,50V,X7R,1005	1	S.N.A	
...4	C7037	2203-002285	C-CER,CHIP;10nF,10%,50V,X7R,1005	1	S.N.A	
...4	C7041	2203-002285	C-CER,CHIP;10nF,10%,50V,X7R,1005	1	S.N.A	
...4	C5008	2203-002525	C-CER,CHIP;0.56nF,10%,50V,X7R,TP,1005	1	S.N.A	
...4	C5012	2203-002525	C-CER,CHIP;0.56nF,10%,50V,X7R,TP,1005	1	S.N.A	
...4	C5013	2203-002525	C-CER,CHIP;0.56nF,10%,50V,X7R,TP,1005	1	S.N.A	
...4	C5015	2203-002525	C-CER,CHIP;0.56nF,10%,50V,X7R,TP,1005	1	S.N.A	
...4	C7002_EU	2203-002525	C-CER,CHIP;0.56nF,10%,50V,X7R,TP,1005	1	S.N.A	
...4	C7006_EU	2203-002525	C-CER,CHIP;0.56nF,10%,50V,X7R,TP,1005	1	S.N.A	
...4	C7011	2203-002525	C-CER,CHIP;0.56nF,10%,50V,X7R,TP,1005	1	S.N.A	
...4	C7013	2203-002525	C-CER,CHIP;0.56nF,10%,50V,X7R,TP,1005	1	S.N.A	
...4	C7026	2203-002525	C-CER,CHIP;0.56nF,10%,50V,X7R,TP,1005	1	S.N.A	
...4	C7027	2203-002525	C-CER,CHIP;0.56nF,10%,50V,X7R,TP,1005	1	S.N.A	
...4	C11050	2203-002720	C-CER,CHIP;10nF,10%,25V,X7R,1005	1	S.N.A	
...4	C9023	2203-005065	C-CER,CHIP;1000nF,+80-20%,10V,Y5V,1608	1	S.N.A	
...4	C9027	2203-005065	C-CER,CHIP;1000nF,+80-20%,10V,Y5V,1608	1	S.N.A	
...4	C9028	2203-005065	C-CER,CHIP;1000nF,+80-20%,10V,Y5V,1608	1	S.N.A	
...4	C9029	2203-005065	C-CER,CHIP;1000nF,+80-20%,10V,Y5V,1608	1	S.N.A	
...4	C9018	2203-005249	C-CER,CHIP;100nF,10%,50V,X7R,TP,1608	1	S.N.A	
...4	C9025	2203-005249	C-CER,CHIP;100nF,10%,50V,X7R,TP,1608	1	S.N.A	
...4	C9026	2203-005249	C-CER,CHIP;100nF,10%,50V,X7R,TP,1608	1	S.N.A	
...4	C9030	2203-005249	C-CER,CHIP;100nF,10%,50V,X7R,TP,1608	1	S.N.A	
...4	C9039	2203-005249	C-CER,CHIP;100nF,10%,50V,X7R,TP,1608	1	S.N.A	
...4	C9040	2203-005249	C-CER,CHIP;100nF,10%,50V,X7R,TP,1608	1	S.N.A	
...4	C9041	2203-005249	C-CER,CHIP;100nF,10%,50V,X7R,TP,1608	1	S.N.A	
...4	C9042	2203-005249	C-CER,CHIP;100nF,10%,50V,X7R,TP,1608	1	S.N.A	
...4	C9043	2203-005249	C-CER,CHIP;100nF,10%,50V,X7R,TP,1608	1	S.N.A	
...4	C9044	2203-005249	C-CER,CHIP;100nF,10%,50V,X7R,TP,1608	1	S.N.A	

5. Exploded View & Part List

Level	Location No.	Code No.	Description & Specification	Q'ty	SA/SNA	Remark
...4	C9045	2203-005249	C-CER,CHIP;100nF,10%,50V,X7R,TP,1608	1	S.N.A	
...4	C9046	2203-005249	C-CER,CHIP;100nF,10%,50V,X7R,TP,1608	1	S.N.A	
...4	C2105	2203-005834	C-CER,CHIP;22000nF,+80-20%,10V,Y5V,3216	1	S.A	
...4	C2505	2203-005834	C-CER,CHIP;22000nF,+80-20%,10V,Y5V,3216	1	S.A	
...4	C2508	2203-005834	C-CER,CHIP;22000nF,+80-20%,10V,Y5V,3216	1	S.A	
...4	C2509	2203-005834	C-CER,CHIP;22000nF,+80-20%,10V,Y5V,3216	1	S.A	
...4	C2510	2203-005834	C-CER,CHIP;22000nF,+80-20%,10V,Y5V,3216	1	S.A	
...4	C2511	2203-005834	C-CER,CHIP;22000nF,+80-20%,10V,Y5V,3216	1	S.A	
...4	C2590	2203-005834	C-CER,CHIP;22000nF,+80-20%,10V,Y5V,3216	1	S.A	
...4	C2600	2203-005834	C-CER,CHIP;22000nF,+80-20%,10V,Y5V,3216	1	S.A	
...4	C2607	2203-005834	C-CER,CHIP;22000nF,+80-20%,10V,Y5V,3216	1	S.A	
...4	C5028	2203-005834	C-CER,CHIP;22000nF,+80-20%,10V,Y5V,3216	1	S.A	
...4	C5030	2203-005834	C-CER,CHIP;22000nF,+80-20%,10V,Y5V,3216	1	S.A	
...4	C7028	2203-005834	C-CER,CHIP;22000nF,+80-20%,10V,Y5V,3216	1	S.A	
...4	C7029	2203-005834	C-CER,CHIP;22000nF,+80-20%,10V,Y5V,3216	1	S.A	
...4	C2020	2203-006104	C-CER,CHIP;1000nF,10%,50V,X7R,3225	1	S.A	
...4	C2022	2203-006104	C-CER,CHIP;1000nF,10%,50V,X7R,3225	1	S.A	
...4	C4004	2203-006126	C-CER,CHIP;47NF,10%,16V,X7R,TP,1005	1	S.N.A	
...4	C4005	2203-006126	C-CER,CHIP;47NF,10%,16V,X7R,TP,1005	1	S.N.A	
...4	C4007	2203-006126	C-CER,CHIP;47NF,10%,16V,X7R,TP,1005	1	S.N.A	
...4	C4009	2203-006126	C-CER,CHIP;47NF,10%,16V,X7R,TP,1005	1	S.N.A	
...4	C4014	2203-006126	C-CER,CHIP;47NF,10%,16V,X7R,TP,1005	1	S.N.A	
...4	C4018	2203-006126	C-CER,CHIP;47NF,10%,16V,X7R,TP,1005	1	S.N.A	
...4	C4019	2203-006126	C-CER,CHIP;47NF,10%,16V,X7R,TP,1005	1	S.N.A	
...4	C4021	2203-006126	C-CER,CHIP;47NF,10%,16V,X7R,TP,1005	1	S.N.A	
...4	C4312	2203-006126	C-CER,CHIP;47NF,10%,16V,X7R,TP,1005	1	S.N.A	
...4	C4313	2203-006126	C-CER,CHIP;47NF,10%,16V,X7R,TP,1005	1	S.N.A	
...4	C4319	2203-006126	C-CER,CHIP;47NF,10%,16V,X7R,TP,1005	1	S.N.A	
...4	C4320	2203-006126	C-CER,CHIP;47NF,10%,16V,X7R,TP,1005	1	S.N.A	
...4	C4321	2203-006126	C-CER,CHIP;47NF,10%,16V,X7R,TP,1005	1	S.N.A	
...4	C4323	2203-006126	C-CER,CHIP;47NF,10%,16V,X7R,TP,1005	1	S.N.A	
...4	C11041	2203-006141	C-CER,CHIP;1000nF,10%,16V,X5R,1608	1	S.N.A	
...4	C2029	2203-006141	C-CER,CHIP;1000nF,10%,16V,X5R,1608	1	S.N.A	
...4	C4035	2203-006141	C-CER,CHIP;1000nF,10%,16V,X5R,1608	1	S.N.A	
...4	C9003	2203-006141	C-CER,CHIP;1000nF,10%,16V,X5R,1608	1	S.N.A	
...4	C9004	2203-006141	C-CER,CHIP;1000nF,10%,16V,X5R,1608	1	S.N.A	
...4	C9316	2203-006141	C-CER,CHIP;1000nF,10%,16V,X5R,1608	1	S.N.A	
...4	C9317	2203-006141	C-CER,CHIP;1000nF,10%,16V,X5R,1608	1	S.N.A	
...4	C9318	2203-006141	C-CER,CHIP;1000nF,10%,16V,X5R,1608	1	S.N.A	
...4	C9902_EU	2203-006141	C-CER,CHIP;1000nF,10%,16V,X5R,1608	1	S.N.A	
...4	C9903_EU	2203-006141	C-CER,CHIP;1000nF,10%,16V,X5R,1608	1	S.N.A	
...4	C9906_EU	2203-006141	C-CER,CHIP;1000nF,10%,16V,X5R,1608	1	S.N.A	
...4	C10033_EU	2203-006158	C-CER,CHIP;100nF,10%,16V,X7R,1005	1	S.N.A	
...4	C10035_EU	2203-006158	C-CER,CHIP;100nF,10%,16V,X7R,1005	1	S.N.A	
...4	C10037_EU	2203-006158	C-CER,CHIP;100nF,10%,16V,X7R,1005	1	S.N.A	
...4	C11044	2203-006158	C-CER,CHIP;100nF,10%,16V,X7R,1005	1	S.N.A	
...4	C2002	2203-006158	C-CER,CHIP;100nF,10%,16V,X7R,1005	1	S.N.A	
...4	C2017	2203-006158	C-CER,CHIP;100nF,10%,16V,X7R,1005	1	S.N.A	
...4	C2019	2203-006158	C-CER,CHIP;100nF,10%,16V,X7R,1005	1	S.N.A	
...4	C2048	2203-006158	C-CER,CHIP;100nF,10%,16V,X7R,1005	1	S.N.A	
...4	C2051	2203-006158	C-CER,CHIP;100nF,10%,16V,X7R,1005	1	S.N.A	

## 5. Exploded View &amp; Part List

Level	Location No.	Code No.	Description & Specification	Q'ty	SA/SNA	Remark
...4	C2053	2203-006158	C-CER,CHIP;100nF,10%,16V,X7R,1005	1	S.N.A	
...4	C2064	2203-006158	C-CER,CHIP;100nF,10%,16V,X7R,1005	1	S.N.A	
...4	C2068	2203-006158	C-CER,CHIP;100nF,10%,16V,X7R,1005	1	S.N.A	
...4	C2070	2203-006158	C-CER,CHIP;100nF,10%,16V,X7R,1005	1	S.N.A	
...4	C2078	2203-006158	C-CER,CHIP;100nF,10%,16V,X7R,1005	1	S.N.A	
...4	C2082	2203-006158	C-CER,CHIP;100nF,10%,16V,X7R,1005	1	S.N.A	
...4	C2084	2203-006158	C-CER,CHIP;100nF,10%,16V,X7R,1005	1	S.N.A	
...4	C2086	2203-006158	C-CER,CHIP;100nF,10%,16V,X7R,1005	1	S.N.A	
...4	C2089	2203-006158	C-CER,CHIP;100nF,10%,16V,X7R,1005	1	S.N.A	
...4	C2500	2203-006158	C-CER,CHIP;100nF,10%,16V,X7R,1005	1	S.N.A	
...4	C2604	2203-006158	C-CER,CHIP;100nF,10%,16V,X7R,1005	1	S.N.A	
...4	C3002	2203-006158	C-CER,CHIP;100nF,10%,16V,X7R,1005	1	S.N.A	
...4	C3007	2203-006158	C-CER,CHIP;100nF,10%,16V,X7R,1005	1	S.N.A	
...4	C3008	2203-006158	C-CER,CHIP;100nF,10%,16V,X7R,1005	1	S.N.A	
...4	C4001	2203-006158	C-CER,CHIP;100nF,10%,16V,X7R,1005	1	S.N.A	
...4	C4002	2203-006158	C-CER,CHIP;100nF,10%,16V,X7R,1005	1	S.N.A	
...4	C4008	2203-006158	C-CER,CHIP;100nF,10%,16V,X7R,1005	1	S.N.A	
...4	C4013	2203-006158	C-CER,CHIP;100nF,10%,16V,X7R,1005	1	S.N.A	
...4	C4020	2203-006158	C-CER,CHIP;100nF,10%,16V,X7R,1005	1	S.N.A	
...4	C4022	2203-006158	C-CER,CHIP;100nF,10%,16V,X7R,1005	1	S.N.A	
...4	C4023	2203-006158	C-CER,CHIP;100nF,10%,16V,X7R,1005	1	S.N.A	
...4	C4024	2203-006158	C-CER,CHIP;100nF,10%,16V,X7R,1005	1	S.N.A	
...4	C4033	2203-006158	C-CER,CHIP;100nF,10%,16V,X7R,1005	1	S.N.A	
...4	C4037	2203-006158	C-CER,CHIP;100nF,10%,16V,X7R,1005	1	S.N.A	
...4	C4040	2203-006158	C-CER,CHIP;100nF,10%,16V,X7R,1005	1	S.N.A	
...4	C4310	2203-006158	C-CER,CHIP;100nF,10%,16V,X7R,1005	1	S.N.A	
...4	C4311	2203-006158	C-CER,CHIP;100nF,10%,16V,X7R,1005	1	S.N.A	
...4	C4314	2203-006158	C-CER,CHIP;100nF,10%,16V,X7R,1005	1	S.N.A	
...4	C4324	2203-006158	C-CER,CHIP;100nF,10%,16V,X7R,1005	1	S.N.A	
...4	C4354	2203-006158	C-CER,CHIP;100nF,10%,16V,X7R,1005	1	S.N.A	
...4	C5014	2203-006158	C-CER,CHIP;100nF,10%,16V,X7R,1005	1	S.N.A	
...4	C5024	2203-006158	C-CER,CHIP;100nF,10%,16V,X7R,1005	1	S.N.A	
...4	C5026	2203-006158	C-CER,CHIP;100nF,10%,16V,X7R,1005	1	S.N.A	
...4	C5029	2203-006158	C-CER,CHIP;100nF,10%,16V,X7R,1005	1	S.N.A	
...4	C5031	2203-006158	C-CER,CHIP;100nF,10%,16V,X7R,1005	1	S.N.A	
...4	C6001	2203-006158	C-CER,CHIP;100nF,10%,16V,X7R,1005	1	S.N.A	
...4	C6004	2203-006158	C-CER,CHIP;100nF,10%,16V,X7R,1005	1	S.N.A	
...4	C6024	2203-006158	C-CER,CHIP;100nF,10%,16V,X7R,1005	1	S.N.A	
...4	C6111	2203-006158	C-CER,CHIP;100nF,10%,16V,X7R,1005	1	S.N.A	
...4	C6112	2203-006158	C-CER,CHIP;100nF,10%,16V,X7R,1005	1	S.N.A	
...4	C6113	2203-006158	C-CER,CHIP;100nF,10%,16V,X7R,1005	1	S.N.A	
...4	C6114	2203-006158	C-CER,CHIP;100nF,10%,16V,X7R,1005	1	S.N.A	
...4	C6411	2203-006158	C-CER,CHIP;100nF,10%,16V,X7R,1005	1	S.N.A	
...4	C6412	2203-006158	C-CER,CHIP;100nF,10%,16V,X7R,1005	1	S.N.A	
...4	C6500	2203-006158	C-CER,CHIP;100nF,10%,16V,X7R,1005	1	S.N.A	
...4	C7008	2203-006158	C-CER,CHIP;100nF,10%,16V,X7R,1005	1	S.N.A	
...4	C7017	2203-006158	C-CER,CHIP;100nF,10%,16V,X7R,1005	1	S.N.A	
...4	C7031	2203-006158	C-CER,CHIP;100nF,10%,16V,X7R,1005	1	S.N.A	
...4	C7051	2203-006158	C-CER,CHIP;100nF,10%,16V,X7R,1005	1	S.N.A	
...4	C8016_DE	2203-006158	C-CER,CHIP;100nF,10%,16V,X7R,1005	1	S.N.A	
...4	C8017_DE	2203-006158	C-CER,CHIP;100nF,10%,16V,X7R,1005	1	S.N.A	

5. Exploded View & Part List

Level	Location No.	Code No.	Description & Specification	Q'ty	SA/SNA	Remark
...4	C8019_DE	2203-006158	C-CER,CHIP;100nF,10%,16V,X7R,1005	1	S.N.A	
...4	C8020_DE	2203-006158	C-CER,CHIP;100nF,10%,16V,X7R,1005	1	S.N.A	
...4	C8021_DE	2203-006158	C-CER,CHIP;100nF,10%,16V,X7R,1005	1	S.N.A	
...4	C8331	2203-006158	C-CER,CHIP;100nF,10%,16V,X7R,1005	1	S.N.A	
...4	C8365	2203-006158	C-CER,CHIP;100nF,10%,16V,X7R,1005	1	S.N.A	
...4	C8503	2203-006158	C-CER,CHIP;100nF,10%,16V,X7R,1005	1	S.N.A	
...4	C8505	2203-006158	C-CER,CHIP;100nF,10%,16V,X7R,1005	1	S.N.A	
...4	C9006	2203-006158	C-CER,CHIP;100nF,10%,16V,X7R,1005	1	S.N.A	
...4	C9007	2203-006158	C-CER,CHIP;100nF,10%,16V,X7R,1005	1	S.N.A	
...4	C9008	2203-006158	C-CER,CHIP;100nF,10%,16V,X7R,1005	1	S.N.A	
...4	C9009	2203-006158	C-CER,CHIP;100nF,10%,16V,X7R,1005	1	S.N.A	
...4	C9022	2203-006158	C-CER,CHIP;100nF,10%,16V,X7R,1005	1	S.N.A	
...4	C2015	2203-006307	C-CER,CHIP;1000nF,10%,25V,X5R,2012	1	S.N.A	
...4	C2016	2203-006307	C-CER,CHIP;1000nF,10%,25V,X5R,2012	1	S.N.A	
...4	C2021	2203-006307	C-CER,CHIP;1000nF,10%,25V,X5R,2012	1	S.N.A	
...4	C11051	2203-006336	C-CER,CHIP;10000nF,10%,25V,X5R,3216	1	S.A	
...4	C2014	2203-006336	C-CER,CHIP;10000nF,10%,25V,X5R,3216	1	S.A	
...4	C9019	2203-006336	C-CER,CHIP;10000nF,10%,25V,X5R,3216	1	S.A	
...4	C9024	2203-006336	C-CER,CHIP;10000nF,10%,25V,X5R,3216	1	S.A	
...4	C9031	2203-006336	C-CER,CHIP;10000nF,10%,25V,X5R,3216	1	S.A	
...4	C9032	2203-006336	C-CER,CHIP;10000nF,10%,25V,X5R,3216	1	S.A	
...4	C9110	2203-006992	C-CER,CHIP;0.33nF,5%,50V,C0G,1005	1	S.N.A	
...4	C9111	2203-006992	C-CER,CHIP;0.33nF,5%,50V,C0G,1005	1	S.N.A	
...4	C2010	2203-007176	C-CER,CHIP;10000nF,10%,16V,X5R,TP,2012 (	1	S.N.A	
...4	C2042	2203-007176	C-CER,CHIP;10000nF,10%,16V,X5R,TP,2012 (	1	S.N.A	
...4	C2043	2203-007176	C-CER,CHIP;10000nF,10%,16V,X5R,TP,2012 (	1	S.N.A	
...4	C2044	2203-007176	C-CER,CHIP;10000nF,10%,16V,X5R,TP,2012 (	1	S.N.A	
...4	C2045	2203-007176	C-CER,CHIP;10000nF,10%,16V,X5R,TP,2012 (	1	S.N.A	
...4	C2046	2203-007176	C-CER,CHIP;10000nF,10%,16V,X5R,TP,2012 (	1	S.N.A	
...4	C2071	2203-007176	C-CER,CHIP;10000nF,10%,16V,X5R,TP,2012 (	1	S.N.A	
...4	C2081	2203-007176	C-CER,CHIP;10000nF,10%,16V,X5R,TP,2012 (	1	S.N.A	
...4	C2083	2203-007176	C-CER,CHIP;10000nF,10%,16V,X5R,TP,2012 (	1	S.N.A	
...4	C2085	2203-007176	C-CER,CHIP;10000nF,10%,16V,X5R,TP,2012 (	1	S.N.A	
...4	C2088	2203-007176	C-CER,CHIP;10000nF,10%,16V,X5R,TP,2012 (	1	S.N.A	
...4	C2090	2203-007176	C-CER,CHIP;10000nF,10%,16V,X5R,TP,2012 (	1	S.N.A	
...4	C2302	2203-007176	C-CER,CHIP;10000nF,10%,16V,X5R,TP,2012 (	1	S.N.A	
...4	C2609	2203-007176	C-CER,CHIP;10000nF,10%,16V,X5R,TP,2012 (	1	S.N.A	
...4	C2610	2203-007176	C-CER,CHIP;10000nF,10%,16V,X5R,TP,2012 (	1	S.N.A	
...4	C3009	2203-007176	C-CER,CHIP;10000nF,10%,16V,X5R,TP,2012 (	1	S.N.A	
...4	C4036	2203-007176	C-CER,CHIP;10000nF,10%,16V,X5R,TP,2012 (	1	S.N.A	
...4	C5025	2203-007176	C-CER,CHIP;10000nF,10%,16V,X5R,TP,2012 (	1	S.N.A	
...4	C5032	2203-007176	C-CER,CHIP;10000nF,10%,16V,X5R,TP,2012 (	1	S.N.A	
...4	C5040	2203-007176	C-CER,CHIP;10000nF,10%,16V,X5R,TP,2012 (	1	S.N.A	
...4	C7010	2203-007176	C-CER,CHIP;10000nF,10%,16V,X5R,TP,2012 (	1	S.N.A	
...4	C7024	2203-007176	C-CER,CHIP;10000nF,10%,16V,X5R,TP,2012 (	1	S.N.A	
...4	C8022_DE	2203-007176	C-CER,CHIP;10000nF,10%,16V,X5R,TP,2012 (	1	S.N.A	
...4	C8502	2203-007176	C-CER,CHIP;10000nF,10%,16V,X5R,TP,2012 (	1	S.N.A	
...4	C8504	2203-007176	C-CER,CHIP;10000nF,10%,16V,X5R,TP,2012 (	1	S.N.A	
...4	C9005	2203-007176	C-CER,CHIP;10000nF,10%,16V,X5R,TP,2012 (	1	S.N.A	
...4	C9078	2203-007176	C-CER,CHIP;10000nF,10%,16V,X5R,TP,2012 (	1	S.N.A	
...4	C9314	2203-007176	C-CER,CHIP;10000nF,10%,16V,X5R,TP,2012 (	1	S.N.A	

## 5. Exploded View &amp; Part List

Level	Location No.	Code No.	Description & Specification	Q'ty	SA/SNA	Remark
...4	C9315	2203-007176	C-CER,CHIP;1000nF,10%,16V,X5R,TP,2012 (	1	S.N.A	
...4	C9900_EU	2203-007176	C-CER,CHIP;1000nF,10%,16V,X5R,TP,2012 (	1	S.N.A	
...4	C9905_EU	2203-007176	C-CER,CHIP;1000nF,10%,16V,X5R,TP,2012 (	1	S.N.A	
...4	C9931_EU	2203-007176	C-CER,CHIP;1000nF,10%,16V,X5R,TP,2012 (	1	S.N.A	
...4	C9932_EU	2203-007176	C-CER,CHIP;1000nF,10%,16V,X5R,TP,2012 (	1	S.N.A	
...4	C9935	2203-007176	C-CER,CHIP;1000nF,10%,16V,X5R,TP,2012 (	1	S.N.A	
...4	C9936	2203-007176	C-CER,CHIP;1000nF,10%,16V,X5R,TP,2012 (	1	S.N.A	
...4	CA2000	2503-001051	C-NETWORK;100NFX4,20%,16V,-,2012, 4ARRAY	1	S.A	
...4	CA2002	2503-001051	C-NETWORK;100NFX4,20%,16V,-,2012, 4ARRAY	1	S.A	
...4	CA2003	2503-001051	C-NETWORK;100NFX4,20%,16V,-,2012, 4ARRAY	1	S.A	
...4	CA2004	2503-001051	C-NETWORK;100NFX4,20%,16V,-,2012, 4ARRAY	1	S.A	
...4	CA2005	2503-001051	C-NETWORK;100NFX4,20%,16V,-,2012, 4ARRAY	1	S.A	
...4	CA2006	2503-001051	C-NETWORK;100NFX4,20%,16V,-,2012, 4ARRAY	1	S.A	
...4	CA2007	2503-001051	C-NETWORK;100NFX4,20%,16V,-,2012, 4ARRAY	1	S.A	
...4	CA2008	2503-001051	C-NETWORK;100NFX4,20%,16V,-,2012, 4ARRAY	1	S.A	
...4	CA2009	2503-001051	C-NETWORK;100NFX4,20%,16V,-,2012, 4ARRAY	1	S.A	
...4	CA2010	2503-001051	C-NETWORK;100NFX4,20%,16V,-,2012, 4ARRAY	1	S.A	
...4	CA2011	2503-001051	C-NETWORK;100NFX4,20%,16V,-,2012, 4ARRAY	1	S.A	
...4	CA2012	2503-001051	C-NETWORK;100NFX4,20%,16V,-,2012, 4ARRAY	1	S.A	
...4	CA2013	2503-001051	C-NETWORK;100NFX4,20%,16V,-,2012, 4ARRAY	1	S.A	
...4	CA2014	2503-001051	C-NETWORK;100NFX4,20%,16V,-,2012, 4ARRAY	1	S.A	
...4	T0052	2703-000398	INDUCTOR-SMD;10uH,10%,3225	1	S.A	
...4	T0052	2703-000398	INDUCTOR-SMD;10uH,10%,3225	1	S.A	
...4	T0052	2703-000398	INDUCTOR-SMD;10uH,10%,3225	1	S.A	
...4	T0052	2703-001778	INDUCTOR-SMD;3.3uH,20%,3225	1	S.A	
...4	T0052	2703-002916	INDUCTOR-SMD;10uH,20%,8080	1	S.A	
...4	T0052	2703-002916	INDUCTOR-SMD;10uH,20%,8080	1	S.A	
...4	L9001	2704-000018	INDUCTOR-SMD-ARRAY;15uH,2000mA,2,0.124oh	1	S.N.A	
...4	L9002	2704-000018	INDUCTOR-SMD-ARRAY;15uH,2000mA,2,0.124oh	1	S.N.A	
...4	X202	2801-003326	CRYSTAL-SMD;24MHZ,30PPM,28-ABX,20PF,50OH	1	S.A	
...4	X202	2801-003773	CRYSTAL-SMD;12MHZ,30ppm,28-AAN,20pF,50oh	1	S.A	
...4	T0568	3301-000314	BEAD-SMD;120ohm,1.6x0.8x0.8mm,-,-,-	1	S.N.A	
...4	T0568	3301-000314	BEAD-SMD;120ohm,1.6x0.8x0.8mm,-,-,-	1	S.N.A	
...4	T0568	3301-001145	BEAD-SMD;60ohm,4516,TP,70ohm/45MHz,82ohm	1	S.N.A	
...4	T0568	3301-001145	BEAD-SMD;60ohm,4516,TP,70ohm/45MHz,82ohm	1	S.N.A	
...4	T0568	3301-001145	BEAD-SMD;60ohm,4516,TP,70ohm/45MHz,82ohm	1	S.N.A	
...4	T0568	3301-001145	BEAD-SMD;60ohm,4516,TP,70ohm/45MHz,82ohm	1	S.N.A	
...4	T0568	3301-001163	BEAD-SMD;80ohm,2012,TP,-,192ohm/867MHz	1	S.N.A	
...4	T0568	3301-001236	BEAD-SMD;60ohm,1608,-,-,-	1	S.N.A	
...4	T0568	3301-001236	BEAD-SMD;60ohm,1608,-,-,-	1	S.N.A	
...4	T0568	3301-001236	BEAD-SMD;60ohm,1608,-,-,-	1	S.N.A	
...4	T0568	3301-001236	BEAD-SMD;60ohm,1608,-,-,-	1	S.N.A	
...4	T0568	3301-001236	BEAD-SMD;60ohm,1608,-,-,-	1	S.N.A	
...4	T0568	3301-001236	BEAD-SMD;60ohm,1608,-,-,-	1	S.N.A	
...4	T0568	3301-001236	BEAD-SMD;60ohm,1608,-,-,-	1	S.N.A	
...4	T0568	3301-001236	BEAD-SMD;60ohm,1608,-,-,-	1	S.N.A	
...4	T0568	3301-001236	BEAD-SMD;60ohm,1608,-,-,-	1	S.N.A	
...4	T0568	3301-001404	BEAD-SMD;30ohm,2012,TP,15.9OHM/30MHz	1	S.A	
...4	T0568	3301-001404	BEAD-SMD;30ohm,2012,TP,15.9OHM/30MHz	1	S.A	
...4	T0568	3301-001404	BEAD-SMD;30ohm,2012,TP,15.9OHM/30MHz	1	S.A	
...4	T0568	3301-001404	BEAD-SMD;30ohm,2012,TP,15.9OHM/30MHz	1	S.A	
...4	T0568	3301-001404	BEAD-SMD;30ohm,2012,TP,15.9OHM/30MHz	1	S.A	

5. Exploded View & Part List

Level	Location No.	Code No.	Description & Specification	Q'ty	SA/SNA	Remark
...4	T0568	3301-001404	BEAD-SMD;30ohm,2012,TP,15.9OHM/30MHz	1	S.A	
...4	T0568	3301-001404	BEAD-SMD;30ohm,2012,TP,15.9OHM/30MHz	1	S.A	
...4	T0568	3301-001404	BEAD-SMD;30ohm,2012,TP,15.9OHM/30MHz	1	S.A	
...4	T0568	3301-001404	BEAD-SMD;30ohm,2012,TP,15.9OHM/30MHz	1	S.A	
...4	T0568	3301-001404	BEAD-SMD;30ohm,2012,TP,15.9OHM/30MHz	1	S.A	
...4	T0568	3301-001404	BEAD-SMD;30ohm,2012,TP,15.9OHM/30MHz	1	S.A	
...4	T0568	3301-001404	BEAD-SMD;30ohm,2012,TP,15.9OHM/30MHz	1	S.A	
...4	T0568	3301-001404	BEAD-SMD;30ohm,2012,TP,15.9OHM/30MHz	1	S.A	
...4	T0568	3301-001404	BEAD-SMD;30ohm,2012,TP,15.9OHM/30MHz	1	S.A	
...4	T0568	3301-001404	BEAD-SMD;30ohm,2012,TP,15.9OHM/30MHz	1	S.A	
...4	T0568	3301-001404	BEAD-SMD;30ohm,2012,TP,15.9OHM/30MHz	1	S.A	
...4	T0568	3301-001404	BEAD-SMD;30ohm,2012,TP,15.9OHM/30MHz	1	S.A	
...4	T0568	3301-001404	BEAD-SMD;30ohm,2012,TP,15.9OHM/30MHz	1	S.A	
...4	T0568	3301-001404	BEAD-SMD;30ohm,2012,TP,15.9OHM/30MHz	1	S.A	
...4	T0568	3301-001404	BEAD-SMD;30ohm,2012,TP,15.9OHM/30MHz	1	S.A	
...4	T0568	3301-001404	BEAD-SMD;30ohm,2012,TP,15.9OHM/30MHz	1	S.A	
...4	T0568	3301-001404	BEAD-SMD;30ohm,2012,TP,15.9OHM/30MHz	1	S.A	
...4	T0568	3301-001404	BEAD-SMD;30ohm,2012,TP,15.9OHM/30MHz	1	S.A	
...4	T0568	3301-001560	BEAD-SMD;80ohm,1.6X0.8X0.8mm,200mA,TP,,,	1	S.N.A	
...4	T0568	3301-001560	BEAD-SMD;80ohm,1.6X0.8X0.8mm,200mA,TP,,,	1	S.N.A	
...4	T0568	3301-001560	BEAD-SMD;80ohm,1.6X0.8X0.8mm,200mA,TP,,,	1	S.N.A	
...4	F1001	3601-001374	FUSE-SURFACE MOUNT;32V,5A,FAST-ACTING,Hi	1	S.N.A	
...4	F1002	3601-001374	FUSE-SURFACE MOUNT;32V,5A,FAST-ACTING,Hi	1	S.N.A	
...4	CN6002	3701-001367	CONNECTOR-HDMI;19P,2R,FEMALE,SMD,AU	1	S.A	
...4	CN6009	3701-001367	CONNECTOR-HDMI;19P,2R,FEMALE,SMD,AU	1	S.A	
...4	M0106	3708-001150	CONNECTOR-FPC/FFC/PIC;30P,1mm,SMD-A,SN,Y	1	S.A	
...4	T0077	BN41-01165A	PCB MAIN;Saturn4 DVB,FR-4,4,1.0,1.2T,192	1	S.N.A	
...4	M0018	BN97-03104A	ASSY MICOM;N65A,2008.11.04,T-CRLPEUS-XXX	1	S.N.A	
....5	IC520	0903-001552	IC-MICROCONTROLLER;WT61P8-RG480WT,LQFP,4	1	S.N.A	
...4	M0018	BN97-03104C	ASSY MICOM;0xB3EA,N65A,2008.11.04,T-CRLP	1	S.N.A	
....5	IC115	1107-001777	IC-FLASH MEMORY;MX25L6405DMI-12G,64Mbit,	1	S.A	
...4	SUB05	0202-001477	SOLDER-CREAM;LST309-M,-,D20-45um,96.5Sn/	1	S.N.A	
...4	D6032	0407-000114	DIODE-ARRAY;-80V,100mA,CA2-3,SOT-23,TP	1	S.N.A	
...4	D6033	0407-000114	DIODE-ARRAY;-80V,100mA,CA2-3,SOT-23,TP	1	S.N.A	
...4	D6034	0407-000114	DIODE-ARRAY;-80V,100mA,CA2-3,SOT-23,TP	1	S.N.A	
...4	IC8002_DE	1006-001266	IC-LINE TRANSCEIVER;SP3232EEY,TSSOP,16P,	1	S.A	
...4	R9214	2007-000096	R-CHIP;30Kohm,5%,1/10W,TP,1608	1	S.A	
...4	R9215	2007-000096	R-CHIP;30Kohm,5%,1/10W,TP,1608	1	S.A	
...4	R9218	2007-000096	R-CHIP;30Kohm,5%,1/10W,TP,1608	1	S.A	
...4	R9219	2007-000096	R-CHIP;30Kohm,5%,1/10W,TP,1608	1	S.A	
...4	R9900_EU	2007-000096	R-CHIP;30Kohm,5%,1/10W,TP,1608	1	S.A	
...4	R9902_EU	2007-000096	R-CHIP;30Kohm,5%,1/10W,TP,1608	1	S.A	
...4	R9903_EU	2007-000096	R-CHIP;30Kohm,5%,1/10W,TP,1608	1	S.A	
...4	R9904_EU	2007-000096	R-CHIP;30Kohm,5%,1/10W,TP,1608	1	S.A	
...4	R7058	2007-000151	R-CHIP;15Kohm,5%,1/16W,TP,1005	1	S.N.A	
...4	C9313	2203-000330	C-CER,CHIP;0.012nF,5%,50V,C0G,1005	1	S.A	
...4	C9319	2203-000330	C-CER,CHIP;0.012nF,5%,50V,C0G,1005	1	S.A	
...4	C9901_EU	2203-000330	C-CER,CHIP;0.012nF,5%,50V,C0G,1005	1	S.A	
...4	C9904_EU	2203-000330	C-CER,CHIP;0.012nF,5%,50V,C0G,1005	1	S.A	
...4	IC3007	1205-003201	IC-BUS SWITCH;TC7WB125FK,SSOP,8P,2x2.3mm	1	S.A	
...4	IC5090	1205-003201	IC-BUS SWITCH;TC7WB125FK,SSOP,8P,2x2.3mm	1	S.A	
...4	C9037	2203-000575	C-CER,CHIP;220nF,10%,25V,X7R,TP,2012	1	S.N.A	
...4	C9038	2203-000575	C-CER,CHIP;220nF,10%,25V,X7R,TP,2012	1	S.N.A	
...3	T0066	BP62-00017A	HEAT SINK-ES;SP-50L2HX,A6063S,T2.0,26.2,	1	S.N.A	

## 5. Exploded View &amp; Part List

Level	Location No.	Code No.	Description & Specification	Q'ty	SA/SNA	Remark
0.1		BN91-03835A	ASSY LCD-AUO;BN07-00638A,PMVA,72%	1	S.N.A	
..2	M0215	BN07-00638A	LCD-PANEL;T260XW02 VS	1	S.A	
0.1	M0112	BN91-03882A	ASSY SHIELD;LE26B450C4WXXC	1	S.N.A	
..2	M0081	6003-000337	SCREW-TAPTITE;BH,+,S,M4,L10,ZPC(BLK),SWR	2	S.N.A	
..2	M0081	6003-000337	SCREW-TAPTITE;BH,+,S,M4,L10,ZPC(BLK),SWR	6	S.N.A	
..2	M0081	6003-000337	SCREW-TAPTITE;BH,+,S,M4,L10,ZPC(BLK),SWR	4	S.N.A	
..2	M0081	6003-001188	SCREW-TAPTITE;BH,+,-,B,M4,L10,ZPC(WHT),S	4	S.N.A	
..2	M0081	6003-001188	SCREW-TAPTITE;BH,+,-,B,M4,L10,ZPC(WHT),S	2	S.N.A	
..2	M2893	BN39-01099A	LEAD CONNECTOR;Amber,UL1007#26,UL/CSA,30	1	S.A	
..2	M0174	BN44-00259B	IP BOARD-IP;B109-701GP,H26HD_9DF,0.12mA,	1	S.A	
..2	M0115	BN61-04772A	BRACKET-STAND LINK;B450 26inch,SECC	1	S.N.A	
..2	M0254	BN61-04799A	HOLDER-SIDE AV;B450/B530,HIPS,HB,BK500,1	1	S.N.A	
..2	M0146	BN61-05176A	BRACKET-PANEL TOP;26inch,SECC,T1.2	2	S.N.A	
..2	M0146	BN61-05177A	BRACKET-PANEL SIDE;26inch,SECC,T1.2	2	S.N.A	
..2		BN61-05281A	HOLDER-CLAMP;LCD,NYLON 66,WHT	2	S.N.A	
..2		BN63-05259A	COVER-MAIN;EO,ABS+PMMA,HB,BK23,H/GLOSSY	1	S.N.A	
..2		BN81-01805A	A/S-TAPE FILAMENT;ELMATIT,T0.1,W49,L1200	0.2	S.N.A	
..2	M0230	BN96-07766J	ASSY CABLE P-FFC;CORAL,FFC CABLE,385mm,3	1	S.A	
..2	SPK	BN81-01805A	A/S-TAPE FILAMENT;ELMATIT,T0.1,W49,L1200	0.05	S.N.A	
0.1	M0003	BN92-04462D	ASSY BOX;LB450 26	1	S.N.A	
..2		BN69-03464D	BOX-SET;26LB450,CB,A-01,DW1,YEL,W751,D62	1	S.N.A	
0.1	M0113	BN92-04468A	ASSY P/MATERIAL;LB450 26	1	S.N.A	
..2	T0524	6902-000996	BAG PE;HDPE/NITRON,T0.015/T0.5,W800,L600	1	S.N.A	
..2		AA01-00004A	FOIL;2000,2000,NTR,SEH	0.042	S.N.A	
..2	T0214	BN74-00008A	TAPE-OPP MASKING;OPP-2,T0.05,W100,L800M,	1.81	S.N.A	
..2		BN81-02321A	BAG-AIR;LIGHT FLEX PLASTIK,PE WHITE,L120	0.004	S.N.A	
..2		HA83-00056A	LP-COVER;0.0001,WHT,STRECH FOIL	0.001	S.N.A	
0.1	M0019	BN92-04536D	ASSY LABEL;LE26B450C4WXXC	1	S.N.A	
0.1	M0045	BN92-04539D	ASSY ACCESSORY;LE26B450C4WXXC	1	S.N.A	
..2	M0045	BN96-10167E	ASSY ACCESSORY-CABLE;LE26B450C4WXXC	1	S.A	
...3	T0268	3903-000145	CBF-POWER CORD;DT,EU,FP3/YES,U(IEC C13-R	1	S.A	
...3	T0081	6002-001294	SCREW-TAPPING;BH,+,M4,L16,ZPC(BLK)	4	S.N.A	
...3	T0074	BN59-00865A	REMOCON;DLP,CRT,TM940,EUROPE,39	1	S.A	
...3	M9889	BN63-01798B	CLOTH-CLEAN;cloth,180,200,sea blue,ToC	1	S.N.A	
...3	T0531	BN63-04269B	COVER-BOTTOM;22,26,32L450,HIPS,HB,BK500	1	S.A	
..2	M0045	BN96-10167F	ASSY ACCESSORY-MANUAL;LE26B450C4WXXC	1	S.A	
...3	T0210	AA68-03242Q	MANUAL FLYER-01,SAFETY GUIDE;comm,Samsun	1	S.N.A	
...3	T0175	BN68-00514E	MANUAL FLYER-01,WARRANTY CARD;comm,Samsu	1	S.N.A	
...3		BN68-00907D	MANUAL FLYER-WEEE BATTERY;COMM,SAMSUNG,2	1	S.N.A	
...3	T0511	BN68-01981A	MANUAL USERS;COMM,SAMSUNG,9Langs,W.EUROP	1	S.N.A	

**5-9. LE32B45\*\*\* Parts List**

Level	Location No.	Code No.	Description & Specification	Q'ty	SA/SNA	Remark
		LE32B450C4WXXC	LE32B450C4W,N65A/32AC4-G4C,32,LCD-TV,SPA			
0.1	M0001	BN90-02023B	ASSY COVER FRONT;LB450 32	1	S.N.A	
..2	T0003	BN96-10019B	ASSY COVER P-FRONT;LB450 32,EO,ABS+PMMA,	1	S.A	
...3	M0081	6003-001188	SCREW-TAPTITE;BH,+,-,B,M4,L10,ZPC(WHT),S	1	S.N.A	
...3	M0081	6003-001188	SCREW-TAPTITE;BH,+,-,B,M4,L10,ZPC(WHT),S	2	S.N.A	
...3	M0279	AA63-01637A	FELT;50P9,FELT,0.5,10,80	1	S.N.A	
...3		BN61-04692A	BOSS-PRIMER;#94,clear,35cps	0.001	S.N.A	
...3	BOSS	BN61-04692A	BOSS-PRIMER;#94,clear,35cps	0.001	S.N.A	
...3		BN61-04970B	HOLDER-BOSS BOTTOM;LB450 32,HIPS,HB,BK50	1	S.N.A	
...3	CCM1	BN63-02183D	COVER-SHEET;Rhcm,PE Vinyl,T0.05,680mm,20	0.6	S.N.A	
...3	M0112	BN63-04166W	COVER-FRONT;LB450 32,EO,ABS+PMMA,HB,BK23	1	S.N.A	
...3	T0059	BN64-00379A	INDICATOR LED;ROME-II,23,PC,CLEAR	1	S.N.A	
...3	T0061	BN64-00453A	WINDOW-REMOCON;32R71,PC,VIOLET	1	S.N.A	
...3	T0022	BN64-00755A	KNOB-CONTROL;32L450,ABS,V0,BK07	1	S.N.A	
...3	M0145	BN96-07269A	ASSY BOARD P-FUNCTION;LN40A450C1D,CT5000	1	S.A	
...3	T0714	BN96-10362A	ASSY BOARD P-IR;LE26B530,1299-01201-00,8	1	S.A	
...3	T0069	AA60-00091K	SPACER-FELT;-,FELT,330X10,-,-,BLK,T0.35,	2	S.N.A	
...3	T0069	AA60-00171E	SPACER-FELT;43L2,FELT,300,T0.5,5	2	S.N.A	
...3	T0069	AA63-60001Z	SPACER-FELT;-,FELT,-,-,-,BLK,T1.0,-,35X8	1	S.N.A	
...3		BN64-00988B	DECORATION-BOTTOM;32,LB450,PC CLEAR,RED	1	S.N.A	
..2	T0175	BN96-09463A	ASSY SPEAKER P;8ohm,4pin,10W,R:200 / L:4	1	S.A	
0.1	M0002	BN90-02033A	ASSY COVER REAR;LB450 32,EO	1	S.N.A	
..2	T0081	6002-001294	SCREW-TAPPING;BH,+,,M4,L16,ZPC(BLK)	9	S.N.A	
..2	T0081	6002-001294	SCREW-TAPPING;BH,+,,M4,L16,ZPC(BLK)	1	S.N.A	
..2	M0013	BN96-10027A	ASSY COVER P-REAR;LB450 32,EO,HIPS,HB,BK	1	S.A	
...3	T0101	BN61-04816A	BRACKET-WALL;40, B610,SECC,T1.2	4	S.N.A	
...3	M0006	BN63-05395A	COVER-REAR;32,LB450,PS,HB,BK500	1	S.N.A	
...3	T0071	BN64-01027A	INLAY-TERMINAL;B530 (PAL-Saturn),PS SHEE	1	S.N.A	
...3	T0064	BN65-00002A	CLAMPER CORE;BORDEAUX,LDPE,-,-,BLK,-	1	S.N.A	
...3	M0279	AA63-01638A	FELT;50P9,FELT,0.5,15,40	2	S.N.A	
0.1	M0216	BN90-02038A	ASSY STAND;LB450 32	1	S.N.A	
..2		BN63-04356A	COVER-STAND NECK;L450 32INCH,ABS+PMMA,HB	1	S.N.A	
..2	M0027	BN96-06464A	ASSY STAND P-BASE;32L450,,ABS+PMMA,HB,BK	1	S.A	
...3	T0081	6002-001294	SCREW-TAPPING;BH,+,,M4,L16,ZPC(BLK)	4	S.N.A	
...3	M0081	6003-001239	SCREW-TAPTITE;FH,+,-,B,M4,L10,ZPC(WHT),S	4	S.N.A	
...3		BN61-02232A	HOLDER-SWIVEL RING;32R71,ACETAL NATUAL,N	1	S.N.A	
...3		BN61-02233A	HOLDER-SWIVEL RING;32R71,ACETAL NATUAL,N	1	S.N.A	
...3		BN61-02236A	BRACKET-HINGE SWIVEL;BORDEAUX 32,SECC,T1	1	S.N.A	
...3		BN61-02942A	BRACKET-STAND BOTTOM;32,BORDEAUX PLUS,SE	1	S.N.A	
...3		BN61-03872A	GUIDE-STAND BOTTOM;L450 32INCH,PC+GF(20%	1	S.N.A	
...4		BN61-02932B	BRACKET-STOPPER NUT;L450,M4,OD8,-,-,L24,	3	S.N.A	
...3	CCM1	BN63-02183D	COVER-SHEET;Rhcm,PE Vinyl,T0.05,680mm,20	0.4	S.N.A	
...3	T0004	BN63-04355A	COVER-STAND BASE;L450 32INCH,ABS+PMMA,HB	1	S.N.A	
...3	M0126	BN73-00052C	RUBBER-FOOT;LCD TV,CR RUBBER,T2.0 DIA19,	4	S.N.A	
..2		BN96-10800A	ASSY COVER P-GUIDE STAND;32,LB450,PC+GF(	1	S.N.A	
...3	T0524	6902-001048	BAG PE;LDPE,T0.05,W160,L300,TRP,4g	1	S.N.A	



Level	Location No.	Code No.	Description & Specification	Q'ty	SA/SNA	Remark
...3	T0920	BN61-04780A	GUIDE-STAND;32,LB450,PC+GF(20%) V0,BLK	1	S.N.A	
0.1		BN91-03671D	ASSY LCD-AMLCD;LE32B450C4WXXC	1	S.N.A	
..2	M0215	BN07-00674A	LCD-PANEL;LTF320AP03	1	S.A	
...3	M0174	BN44-00260C	IP BOARD;FSP118_3PI01,H32HD_9FS,0.12mA,1	1	S.A	
...3		BN81-02349A	A/S-T CON LTF320AP03;LTF320AP03	1	S.N.A	
0.1	M0017	BN91-03830C	ASSY CHASSIS;LE32B450C4WXXC	1	S.N.A	
..2	M0014	BN94-02690C	ASSY PCB MAIN;LE32B450C4WXXC	1	S.A	
...3	SUB02	0202-001557	SOLDER-CREAM;LST57-A,D38-63,42SN/57BI/1A	11	S.N.A	
...3	T0245	0202-001608	SOLDER-WIRE FLUX;LFC7-107,D0.8,99.3Sn/0.	0.25	S.N.A	
...3	CN6004	3701-001388	CONNECTOR-HDMI;20P,Phosphor Bronze,ANGLE	1	S.A	
...3	CN5001	3701-001480	CONNECTOR-DSUB;15P,3R,FEMAIL,STAMPED PIN	1	S.A	
...3	CN906	3707-001081	CONNECTOR-OPTICAL;STRAIGHT,SPDIF	1	S.A	
...3	CN1001_EU	3709-001551	CONNECTOR-CARD SLOT;68P,1.27mm,DIP,AU50U	1	S.A	
...3	CN330	3711-004379	HEADER-BOARD TO CABLE;BOX,4P,1R,2mm,STRA	1	S.A	
...3	CN330	3711-004531	HEADER-BOARD TO CABLE;BOX,10P,1R,2mm,ANG	1	S.A	
...3	CN2001	3711-005884	HEADER-BOARD TO BOARD;BOX,30P,2R,2mm,ANG	1	S.A	
...3	CN330	3711-006715	HEADER-BOARD TO CABLE;BOX,4P,1R,2.5mm,AN	1	S.N.A	
...3	JA3201_EU	3722-000498	JACK-SCART;21P,SN,BLK	1	S.A	
...3	JA330	3722-001061	JACK-PHONE;1P,3.6PI,AG,BLK,N	1	S.A	
...3	CN6001	3722-002516	JACK-USB;4P/1C,AU30U,BLK,STRAIGHT,A TYPE	1	S.A	
...3	JA333	3722-002691	JACK-PIN;2P,Ni,WHT/RED,STRAIGHT	1	S.A	
...3	JA333	3722-002691	JACK-PIN;2P,Ni,WHT/RED,STRAIGHT	1	S.A	
...3	JA333	3722-002703	JACK-PIN;3P,Ni,GRN/BLU/RED,STRAIGHT	1	S.A	
...3	JA333	3722-002704	JACK-PIN;3P,Sn,YEL/WHT/RED,ANGLE	1	S.A	
...3	CIS3	BN40-00137A	TUNER;DNOQ403SH151A(S),DNOQ403SH151A(S),	1	S.A	
...3	X1005	BN61-04928A	BRACKET-SUPPORT PCB;SPCC,T 0.8,SCREW-M4	1	S.N.A	
...3	HDCP	BN97-00688A	ASSY HDCP;BN46-00018A,PS-42V6S,D73A,GENE	1	S.N.A	
....4		BN46-00018A	KEY CODE-CERTIFICATE;(HDCP KEY)PPM42M5S,	1	S.N.A	
...3	T0174	BN97-03239C	ASSY SMD;LE32B450C4WXXC	1	S.N.A	
....4	D2101	0401-001056	DIODE-SWITCHING;MMBD4148SE,100V,200mA,SO	1	S.A	
....4	D5002	0401-001056	DIODE-SWITCHING;MMBD4148SE,100V,200mA,SO	1	S.A	
....4	D5005	0401-001056	DIODE-SWITCHING;MMBD4148SE,100V,200mA,SO	1	S.A	
....4	D5010	0401-001056	DIODE-SWITCHING;MMBD4148SE,100V,200mA,SO	1	S.A	
....4	D6003	0401-001056	DIODE-SWITCHING;MMBD4148SE,100V,200mA,SO	1	S.A	
....4	D6009	0401-001056	DIODE-SWITCHING;MMBD4148SE,100V,200mA,SO	1	S.A	
....4	D6011	0401-001056	DIODE-SWITCHING;MMBD4148SE,100V,200mA,SO	1	S.A	
....4	D6025	0401-001056	DIODE-SWITCHING;MMBD4148SE,100V,200mA,SO	1	S.A	
....4	D6027	0401-001056	DIODE-SWITCHING;MMBD4148SE,100V,200mA,SO	1	S.A	
....4	D6630	0401-001056	DIODE-SWITCHING;MMBD4148SE,100V,200mA,SO	1	S.A	
....4	D7028	0401-001056	DIODE-SWITCHING;MMBD4148SE,100V,200mA,SO	1	S.A	
....4	D7030	0401-001056	DIODE-SWITCHING;MMBD4148SE,100V,200mA,SO	1	S.A	
....4	D7031	0401-001056	DIODE-SWITCHING;MMBD4148SE,100V,200mA,SO	1	S.A	
....4	D7032	0401-001056	DIODE-SWITCHING;MMBD4148SE,100V,200mA,SO	1	S.A	
....4	D6100	0401-001099	DIODE-SWITCHING;1N4148WS,75V,150mA,SOD-3	1	S.N.A	
....4	D9001	0401-001099	DIODE-SWITCHING;1N4148WS,75V,150mA,SOD-3	1	S.N.A	
....4	D9002	0401-001099	DIODE-SWITCHING;1N4148WS,75V,150mA,SOD-3	1	S.N.A	
....4	D9004	0401-001099	DIODE-SWITCHING;1N4148WS,75V,150mA,SOD-3	1	S.N.A	
....4	D9005	0401-001099	DIODE-SWITCHING;1N4148WS,75V,150mA,SOD-3	1	S.N.A	

5. Exploded View & Part List

Level	Location No.	Code No.	Description & Specification	Q'ty	SA/SNA	Remark
...4	D9006	0401-001099	DIODE-SWITCHING;1N4148WS,75V,150mA,SOD-3	1	S.N.A	
...4	D9015	0401-001099	DIODE-SWITCHING;1N4148WS,75V,150mA,SOD-3	1	S.N.A	
...4	D9016	0401-001099	DIODE-SWITCHING;1N4148WS,75V,150mA,SOD-3	1	S.N.A	
...4	D2008	0402-001098	DIODE-RECTIFIER;SK34,40V,3A,SMC,TP	1	S.N.A	
...4	D2100	0402-001098	DIODE-RECTIFIER;SK34,40V,3A,SMC,TP	1	S.N.A	
...4	D10001_EU	0403-000771	DIODE-ZENER;VLZ6V2B,5.96-6.27V,500mW,SOD	1	S.A	
...4	D4001	0403-000771	DIODE-ZENER;VLZ6V2B,5.96-6.27V,500mW,SOD	1	S.A	
...4	D4331	0403-000771	DIODE-ZENER;VLZ6V2B,5.96-6.27V,500mW,SOD	1	S.A	
...4	D4332	0403-000771	DIODE-ZENER;VLZ6V2B,5.96-6.27V,500mW,SOD	1	S.A	
...4	D5001	0403-000771	DIODE-ZENER;VLZ6V2B,5.96-6.27V,500mW,SOD	1	S.A	
...4	D5003	0403-000771	DIODE-ZENER;VLZ6V2B,5.96-6.27V,500mW,SOD	1	S.A	
...4	D5004	0403-000771	DIODE-ZENER;VLZ6V2B,5.96-6.27V,500mW,SOD	1	S.A	
...4	D5006	0403-000771	DIODE-ZENER;VLZ6V2B,5.96-6.27V,500mW,SOD	1	S.A	
...4	D5007	0403-000771	DIODE-ZENER;VLZ6V2B,5.96-6.27V,500mW,SOD	1	S.A	
...4	D5008	0403-000771	DIODE-ZENER;VLZ6V2B,5.96-6.27V,500mW,SOD	1	S.A	
...4	D5009	0403-000771	DIODE-ZENER;VLZ6V2B,5.96-6.27V,500mW,SOD	1	S.A	
...4	D5011	0403-000771	DIODE-ZENER;VLZ6V2B,5.96-6.27V,500mW,SOD	1	S.A	
...4	D5012	0403-000771	DIODE-ZENER;VLZ6V2B,5.96-6.27V,500mW,SOD	1	S.A	
...4	D5013	0403-000771	DIODE-ZENER;VLZ6V2B,5.96-6.27V,500mW,SOD	1	S.A	
...4	D5014	0403-000771	DIODE-ZENER;VLZ6V2B,5.96-6.27V,500mW,SOD	1	S.A	
...4	D5016	0403-000771	DIODE-ZENER;VLZ6V2B,5.96-6.27V,500mW,SOD	1	S.A	
...4	D5017	0403-000771	DIODE-ZENER;VLZ6V2B,5.96-6.27V,500mW,SOD	1	S.A	
...4	D5100_FA	0403-000771	DIODE-ZENER;VLZ6V2B,5.96-6.27V,500mW,SOD	1	S.A	
...4	D5101_FA	0403-000771	DIODE-ZENER;VLZ6V2B,5.96-6.27V,500mW,SOD	1	S.A	
...4	D6001	0403-000771	DIODE-ZENER;VLZ6V2B,5.96-6.27V,500mW,SOD	1	S.A	
...4	D6002	0403-000771	DIODE-ZENER;VLZ6V2B,5.96-6.27V,500mW,SOD	1	S.A	
...4	D6017	0403-000771	DIODE-ZENER;VLZ6V2B,5.96-6.27V,500mW,SOD	1	S.A	
...4	D6018	0403-000771	DIODE-ZENER;VLZ6V2B,5.96-6.27V,500mW,SOD	1	S.A	
...4	D6302	0403-000771	DIODE-ZENER;VLZ6V2B,5.96-6.27V,500mW,SOD	1	S.A	
...4	D6418	0403-000771	DIODE-ZENER;VLZ6V2B,5.96-6.27V,500mW,SOD	1	S.A	
...4	D6631	0403-000771	DIODE-ZENER;VLZ6V2B,5.96-6.27V,500mW,SOD	1	S.A	
...4	D7004	0403-000771	DIODE-ZENER;VLZ6V2B,5.96-6.27V,500mW,SOD	1	S.A	
...4	D7008	0403-000771	DIODE-ZENER;VLZ6V2B,5.96-6.27V,500mW,SOD	1	S.A	
...4	D7009	0403-000771	DIODE-ZENER;VLZ6V2B,5.96-6.27V,500mW,SOD	1	S.A	
...4	D7012	0403-000771	DIODE-ZENER;VLZ6V2B,5.96-6.27V,500mW,SOD	1	S.A	
...4	D7014	0403-000771	DIODE-ZENER;VLZ6V2B,5.96-6.27V,500mW,SOD	1	S.A	
...4	D7016	0403-000771	DIODE-ZENER;VLZ6V2B,5.96-6.27V,500mW,SOD	1	S.A	
...4	D7100_EU	0403-000771	DIODE-ZENER;VLZ6V2B,5.96-6.27V,500mW,SOD	1	S.A	
...4	D7101_EU	0403-000771	DIODE-ZENER;VLZ6V2B,5.96-6.27V,500mW,SOD	1	S.A	
...4	D7102_EU	0403-000771	DIODE-ZENER;VLZ6V2B,5.96-6.27V,500mW,SOD	1	S.A	
...4	D7103_EU	0403-000771	DIODE-ZENER;VLZ6V2B,5.96-6.27V,500mW,SOD	1	S.A	
...4	D7105	0403-000771	DIODE-ZENER;VLZ6V2B,5.96-6.27V,500mW,SOD	1	S.A	
...4	D7106	0403-000771	DIODE-ZENER;VLZ6V2B,5.96-6.27V,500mW,SOD	1	S.A	
...4	D7116	0403-000771	DIODE-ZENER;VLZ6V2B,5.96-6.27V,500mW,SOD	1	S.A	
...4	D7117	0403-000771	DIODE-ZENER;VLZ6V2B,5.96-6.27V,500mW,SOD	1	S.A	
...4	D7118	0403-000771	DIODE-ZENER;VLZ6V2B,5.96-6.27V,500mW,SOD	1	S.A	
...4	D7202	0403-000771	DIODE-ZENER;VLZ6V2B,5.96-6.27V,500mW,SOD	1	S.A	
...4	D9003	0403-000771	DIODE-ZENER;VLZ6V2B,5.96-6.27V,500mW,SOD	1	S.A	
...4	D0254	0404-001271	DIODE-SCHOTTKY;SSA34,40V,3000mA,SMA,TP	1	S.A	
...4	D6030	0406-001200	DIODE-TVS;RCLAMP0504F,6/-V,150W,SC-70	1	S.A	
...4	D6005	0406-001299	DIODE-TVS;CM1224-04MR,MSOP-10	1	S.A	

## 5. Exploded View &amp; Part List

Level	Location No.	Code No.	Description & Specification	Q'ty	SA/SNA	Remark
....4	D6007	0406-001299	DIODE-TVS;CM1224-04MR,MSOP-10	1	S.A	
....4	D6008	0406-001299	DIODE-TVS;CM1224-04MR,MSOP-10	1	S.A	
....4	D6010	0406-001299	DIODE-TVS;CM1224-04MR,MSOP-10	1	S.A	
....4	D6012	0406-001299	DIODE-TVS;CM1224-04MR,MSOP-10	1	S.A	
....4	D6013	0406-001299	DIODE-TVS;CM1224-04MR,MSOP-10	1	S.A	
....4	Q1	0501-000445	TR-SMALL SIGNAL;KTC3875S-Y,NPN,150mW,SOT	1	S.A	
....4	Q11001	0501-000445	TR-SMALL SIGNAL;KTC3875S-Y,NPN,150mW,SOT	1	S.A	
....4	Q2001	0501-000445	TR-SMALL SIGNAL;KTC3875S-Y,NPN,150mW,SOT	1	S.A	
....4	Q2002	0501-000445	TR-SMALL SIGNAL;KTC3875S-Y,NPN,150mW,SOT	1	S.A	
....4	Q2004	0501-000445	TR-SMALL SIGNAL;KTC3875S-Y,NPN,150mW,SOT	1	S.A	
....4	Q3002	0501-000445	TR-SMALL SIGNAL;KTC3875S-Y,NPN,150mW,SOT	1	S.A	
....4	Q3109	0501-000445	TR-SMALL SIGNAL;KTC3875S-Y,NPN,150mW,SOT	1	S.A	
....4	Q4002_PWM	0501-000445	TR-SMALL SIGNAL;KTC3875S-Y,NPN,150mW,SOT	1	S.A	
....4	Q6003	0501-000445	TR-SMALL SIGNAL;KTC3875S-Y,NPN,150mW,SOT	1	S.A	
....4	Q7003	0501-000445	TR-SMALL SIGNAL;KTC3875S-Y,NPN,150mW,SOT	1	S.A	
....4	Q7006	0501-000445	TR-SMALL SIGNAL;KTC3875S-Y,NPN,150mW,SOT	1	S.A	
....4	Q9005	0501-000445	TR-SMALL SIGNAL;KTC3875S-Y,NPN,150mW,SOT	1	S.A	
....4	Q7005	0501-000669	TR-SMALL SIGNAL;KTA1505Y,PNP,150mW,SOT-2	1	S.A	
....4	Q409	0505-000110	FET-SILICON;2N7002,N,60V,115mA,7.5ohm,0.	1	S.A	
....4	Q409	0505-000110	FET-SILICON;2N7002,N,60V,115mA,7.5ohm,0.	1	S.A	
....4	Q409	0505-000110	FET-SILICON;2N7002,N,60V,115mA,7.5ohm,0.	1	S.A	
....4	Q409	0505-000110	FET-SILICON;2N7002,N,60V,115mA,7.5ohm,0.	1	S.A	
....4	Q409	0505-001170	FET-SILICON;SI9933ADY-T1,P,-20V,3.4A,0.0	1	S.A	
....4	IC104	0801-002198	IC-CMOS LOGIC;74LVC14,INVERTER,SOP,14P,1	1	S.A	
....4	IC104	0801-002779	IC-CMOS LOGIC;74LVC1G125,BUS BUFFER,SOT-	1	S.N.A	
....4	IC112	1103-000129	IC-EEPROM;24C02,2Kbit,256x8,SOP,8P,5x4mm	1	S.A	
....4	IC112	1103-000129	IC-EEPROM;24C02,2Kbit,256x8,SOP,8P,5x4mm	1	S.A	
....4	IC112	1103-000129	IC-EEPROM;24C02,2Kbit,256x8,SOP,8P,5x4mm	1	S.A	
....4	IC112	1103-000129	IC-EEPROM;24C02,2Kbit,256x8,SOP,8P,5x4mm	1	S.A	
....4	IC112	1103-001441	IC-EEPROM;24C1024,1Mbit,128Kx8,SOP,8P,4.	1	S.A	
....4	IC8005	1105-001931	IC-DDR2 SDRAM;K4T51163Q,DDR2-800,512Mbit	1	S.N.A	
....4	IC8006	1105-001931	IC-DDR2 SDRAM;K4T51163Q,DDR2-800,512Mbit	1	S.N.A	
....4	IC115	1107-001777	IC-FLASH MEMORY;MX25L6405DMI-12G,64Mbit,	1	S.A	
....4	T0124	1201-002797	IC-POWER AMP;NTP-3200,QFN,56P,8x8mm,DUAL	1	S.A	
....4	T0085	1201-002849	IC-AUDIO AMP;DRV603,TSSOP,14P,5x4.4mm,DU	1	S.A	
....4	T0085	1201-002849	IC-AUDIO AMP;DRV603,TSSOP,14P,5x4.4mm,DU	1	S.A	
....4	T0087	1203-001815	IC-POSI.FIXED REG.;78M09,TO-252,3P,PLAST	1	S.A	
....4	T0087	1203-002842	IC-POSI.FIXED REG.;AP1117D-33A,TO-252,3P	1	S.A	
....4	IC012	1203-002995	IC-POSI.ADJUST REG.;AP1117D-A,TO-252,3P,	1	S.A	
....4	IC012	1203-002995	IC-POSI.ADJUST REG.;AP1117D-A,TO-252,3P,	1	S.A	
....4	IC3002	1203-004363	IC-VOL. DETECTOR;RT9818C-29PV,SOT-23,3P,	1	S.A	
....4	IC9003	1203-004364	IC-VOL. DETECTOR;RT9818C-42PV,SOT-23,3P,	1	S.A	
....4	IC2009	1203-005279	IC-DC/DC CONVERTER;MP2372DN,SOP,8P,4.9x3	1	S.A	
....4	IC2010	1203-005279	IC-DC/DC CONVERTER;MP2372DN,SOP,8P,4.9x3	1	S.A	
....4	T0170	1203-005463	IC-SWITCH VOL. REG.;MIC2605YML,MLF,8P,2x	1	S.A	
....4	IC4010	1204-002999	IC-DECODER;SEMS12-LF,LFBGA,375P,21x21mm,	1	S.A	
....4	IC1002_EU	1205-003479	IC-SWITCH;TPS2051BDBVR,SOT-23,5P,2.9x1.6	1	S.A	
....4	IC6005	1205-003479	IC-SWITCH;TPS2051BDBVR,SOT-23,5P,2.9x1.6	1	S.A	
....4	D5015	1405-001233	VARISTOR;30Vdc,5A,1.6x0.8x0.8mm,TP	1	S.A	
....4	D5018	1405-001233	VARISTOR;30Vdc,5A,1.6x0.8x0.8mm,TP	1	S.A	
....4	D5019	1405-001233	VARISTOR;30Vdc,5A,1.6x0.8x0.8mm,TP	1	S.A	

5. Exploded View & Part List

Level	Location No.	Code No.	Description & Specification	Q'ty	SA/SNA	Remark
...4	D5020	1405-001233	VARISTOR;30Vdc,5A,1.6x0.8x0.8mm,TP	1	S.A	
...4	D7003_EU	1405-001233	VARISTOR;30Vdc,5A,1.6x0.8x0.8mm,TP	1	S.A	
...4	D7007	1405-001233	VARISTOR;30Vdc,5A,1.6x0.8x0.8mm,TP	1	S.A	
...4	D7010_EU	1405-001233	VARISTOR;30Vdc,5A,1.6x0.8x0.8mm,TP	1	S.A	
...4	D7013	1405-001233	VARISTOR;30Vdc,5A,1.6x0.8x0.8mm,TP	1	S.A	
...4	D7024	1405-001233	VARISTOR;30Vdc,5A,1.6x0.8x0.8mm,TP	1	S.A	
...4	D7025	1405-001233	VARISTOR;30Vdc,5A,1.6x0.8x0.8mm,TP	1	S.A	
...4	D9100	1405-001233	VARISTOR;30Vdc,5A,1.6x0.8x0.8mm,TP	1	S.A	
...4	D9101	1405-001233	VARISTOR;30Vdc,5A,1.6x0.8x0.8mm,TP	1	S.A	
...4	R2102	2007-000067	R-CHIP;15Kohm,1%,1/10W,TP,1608	1	S.N.A	
...4	R11065	2007-000090	R-CHIP;10Kohm,5%,1/10W,TP,1608	1	S.A	
...4	R6800	2007-000090	R-CHIP;10Kohm,5%,1/10W,TP,1608	1	S.A	
...4	R4554	2007-000094	R-CHIP;22Kohm,5%,1/10W,TP,1608	1	S.A	
...4	R4578	2007-000094	R-CHIP;22Kohm,5%,1/10W,TP,1608	1	S.A	
...4	R2004	2007-000107	R-CHIP;470Kohm,5%,1/10W,TP,1608	1	S.N.A	
...4	R4592	2007-000121	R-CHIP;820ohm,5%,1/10W,TP,1608	1	S.N.A	
...4	R10003_EU	2007-000138	R-CHIP;100ohm,5%,1/16W,TP,1005	1	S.N.A	
...4	R10134_EU	2007-000138	R-CHIP;100ohm,5%,1/16W,TP,1005	1	S.N.A	
...4	R3010	2007-000138	R-CHIP;100ohm,5%,1/16W,TP,1005	1	S.N.A	
...4	R3018	2007-000138	R-CHIP;100ohm,5%,1/16W,TP,1005	1	S.N.A	
...4	R3021	2007-000138	R-CHIP;100ohm,5%,1/16W,TP,1005	1	S.N.A	
...4	R3046	2007-000138	R-CHIP;100ohm,5%,1/16W,TP,1005	1	S.N.A	
...4	R4036	2007-000138	R-CHIP;100ohm,5%,1/16W,TP,1005	1	S.N.A	
...4	R4046	2007-000138	R-CHIP;100ohm,5%,1/16W,TP,1005	1	S.N.A	
...4	R4096_PWM	2007-000138	R-CHIP;100ohm,5%,1/16W,TP,1005	1	S.N.A	
...4	R4343	2007-000138	R-CHIP;100ohm,5%,1/16W,TP,1005	1	S.N.A	
...4	R4640_NON_	2007-000138	R-CHIP;100ohm,5%,1/16W,TP,1005	1	S.N.A	
...4	R5003	2007-000138	R-CHIP;100ohm,5%,1/16W,TP,1005	1	S.N.A	
...4	R5005	2007-000138	R-CHIP;100ohm,5%,1/16W,TP,1005	1	S.N.A	
...4	R5006	2007-000138	R-CHIP;100ohm,5%,1/16W,TP,1005	1	S.N.A	
...4	R5022	2007-000138	R-CHIP;100ohm,5%,1/16W,TP,1005	1	S.N.A	
...4	R5023	2007-000138	R-CHIP;100ohm,5%,1/16W,TP,1005	1	S.N.A	
...4	R5042	2007-000138	R-CHIP;100ohm,5%,1/16W,TP,1005	1	S.N.A	
...4	R7022_EU	2007-000138	R-CHIP;100ohm,5%,1/16W,TP,1005	1	S.N.A	
...4	R7024_EU	2007-000138	R-CHIP;100ohm,5%,1/16W,TP,1005	1	S.N.A	
...4	R9113	2007-000138	R-CHIP;100ohm,5%,1/16W,TP,1005	1	S.N.A	
...4	R9114	2007-000138	R-CHIP;100ohm,5%,1/16W,TP,1005	1	S.N.A	
...4	R9177	2007-000138	R-CHIP;100ohm,5%,1/16W,TP,1005	1	S.N.A	
...4	R11099	2007-000140	R-CHIP;1Kohm,5%,1/16W,TP,1005	1	S.N.A	
...4	R6012	2007-000140	R-CHIP;1Kohm,5%,1/16W,TP,1005	1	S.N.A	
...4	R6049	2007-000140	R-CHIP;1Kohm,5%,1/16W,TP,1005	1	S.N.A	
...4	R6303	2007-000140	R-CHIP;1Kohm,5%,1/16W,TP,1005	1	S.N.A	
...4	R9190	2007-000140	R-CHIP;1Kohm,5%,1/16W,TP,1005	1	S.N.A	
...4	R3100	2007-000141	R-CHIP;2.2Kohm,5%,1/16W,TP,1005	1	S.N.A	
...4	R4076	2007-000141	R-CHIP;2.2Kohm,5%,1/16W,TP,1005	1	S.N.A	
...4	R4082	2007-000141	R-CHIP;2.2Kohm,5%,1/16W,TP,1005	1	S.N.A	
...4	R5019	2007-000141	R-CHIP;2.2Kohm,5%,1/16W,TP,1005	1	S.N.A	
...4	R5020	2007-000141	R-CHIP;2.2Kohm,5%,1/16W,TP,1005	1	S.N.A	
...4	R11039	2007-000143	R-CHIP;4.7Kohm,5%,1/16W,TP,1005	1	S.N.A	
...4	R2005	2007-000143	R-CHIP;4.7Kohm,5%,1/16W,TP,1005	1	S.N.A	
...4	R2015	2007-000143	R-CHIP;4.7Kohm,5%,1/16W,TP,1005	1	S.N.A	

## 5. Exploded View &amp; Part List

Level	Location No.	Code No.	Description & Specification	Q'ty	SA/SNA	Remark
...4	R2021	2007-000143	R-CHIP;4.7Kohm,5%,1/16W,TP,1005	1	S.N.A	
...4	R3101	2007-000143	R-CHIP;4.7Kohm,5%,1/16W,TP,1005	1	S.N.A	
...4	R3102	2007-000143	R-CHIP;4.7Kohm,5%,1/16W,TP,1005	1	S.N.A	
...4	R3103	2007-000143	R-CHIP;4.7Kohm,5%,1/16W,TP,1005	1	S.N.A	
...4	R3108	2007-000143	R-CHIP;4.7Kohm,5%,1/16W,TP,1005	1	S.N.A	
...4	R4202_PWM	2007-000143	R-CHIP;4.7Kohm,5%,1/16W,TP,1005	1	S.N.A	
...4	R4666_HD	2007-000143	R-CHIP;4.7Kohm,5%,1/16W,TP,1005	1	S.N.A	
...4	R4668_2DDR	2007-000143	R-CHIP;4.7Kohm,5%,1/16W,TP,1005	1	S.N.A	
...4	R5090	2007-000143	R-CHIP;4.7Kohm,5%,1/16W,TP,1005	1	S.N.A	
...4	R6017	2007-000143	R-CHIP;4.7Kohm,5%,1/16W,TP,1005	1	S.N.A	
...4	R6051	2007-000143	R-CHIP;4.7Kohm,5%,1/16W,TP,1005	1	S.N.A	
...4	R6064	2007-000143	R-CHIP;4.7Kohm,5%,1/16W,TP,1005	1	S.N.A	
...4	R6304	2007-000143	R-CHIP;4.7Kohm,5%,1/16W,TP,1005	1	S.N.A	
...4	R7079	2007-000143	R-CHIP;4.7Kohm,5%,1/16W,TP,1005	1	S.N.A	
...4	R7086	2007-000143	R-CHIP;4.7Kohm,5%,1/16W,TP,1005	1	S.N.A	
...4	R9028	2007-000143	R-CHIP;4.7Kohm,5%,1/16W,TP,1005	1	S.N.A	
...4	R9030	2007-000143	R-CHIP;4.7Kohm,5%,1/16W,TP,1005	1	S.N.A	
...4	R9031	2007-000143	R-CHIP;4.7Kohm,5%,1/16W,TP,1005	1	S.N.A	
...4	R9032	2007-000143	R-CHIP;4.7Kohm,5%,1/16W,TP,1005	1	S.N.A	
...4	R9033	2007-000143	R-CHIP;4.7Kohm,5%,1/16W,TP,1005	1	S.N.A	
...4	R7019	2007-000146	R-CHIP;6.8Kohm,5%,1/16W,TP,1005	1	S.N.A	
...4	R10007_EU	2007-000148	R-CHIP;10Kohm,5%,1/16W,TP,1005	1	S.N.A	
...4	R10008_EU	2007-000148	R-CHIP;10Kohm,5%,1/16W,TP,1005	1	S.N.A	
...4	R10031_EU	2007-000148	R-CHIP;10Kohm,5%,1/16W,TP,1005	1	S.N.A	
...4	R10032_EU	2007-000148	R-CHIP;10Kohm,5%,1/16W,TP,1005	1	S.N.A	
...4	R10101_EU	2007-000148	R-CHIP;10Kohm,5%,1/16W,TP,1005	1	S.N.A	
...4	R10121_EU	2007-000148	R-CHIP;10Kohm,5%,1/16W,TP,1005	1	S.N.A	
...4	R10122_EU	2007-000148	R-CHIP;10Kohm,5%,1/16W,TP,1005	1	S.N.A	
...4	R10135_EU	2007-000148	R-CHIP;10Kohm,5%,1/16W,TP,1005	1	S.N.A	
...4	R10136_EU	2007-000148	R-CHIP;10Kohm,5%,1/16W,TP,1005	1	S.N.A	
...4	R10200_EU	2007-000148	R-CHIP;10Kohm,5%,1/16W,TP,1005	1	S.N.A	
...4	R11089	2007-000148	R-CHIP;10Kohm,5%,1/16W,TP,1005	1	S.N.A	
...4	R2014	2007-000148	R-CHIP;10Kohm,5%,1/16W,TP,1005	1	S.N.A	
...4	R2018	2007-000148	R-CHIP;10Kohm,5%,1/16W,TP,1005	1	S.N.A	
...4	R2020	2007-000148	R-CHIP;10Kohm,5%,1/16W,TP,1005	1	S.N.A	
...4	R3014	2007-000148	R-CHIP;10Kohm,5%,1/16W,TP,1005	1	S.N.A	
...4	R3015	2007-000148	R-CHIP;10Kohm,5%,1/16W,TP,1005	1	S.N.A	
...4	R3051	2007-000148	R-CHIP;10Kohm,5%,1/16W,TP,1005	1	S.N.A	
...4	R3059	2007-000148	R-CHIP;10Kohm,5%,1/16W,TP,1005	1	S.N.A	
...4	R3060	2007-000148	R-CHIP;10Kohm,5%,1/16W,TP,1005	1	S.N.A	
...4	R3061	2007-000148	R-CHIP;10Kohm,5%,1/16W,TP,1005	1	S.N.A	
...4	R3066	2007-000148	R-CHIP;10Kohm,5%,1/16W,TP,1005	1	S.N.A	
...4	R3099	2007-000148	R-CHIP;10Kohm,5%,1/16W,TP,1005	1	S.N.A	
...4	R4079_PWM	2007-000148	R-CHIP;10Kohm,5%,1/16W,TP,1005	1	S.N.A	
...4	R4081	2007-000148	R-CHIP;10Kohm,5%,1/16W,TP,1005	1	S.N.A	
...4	R4130	2007-000148	R-CHIP;10Kohm,5%,1/16W,TP,1005	1	S.N.A	
...4	R4140	2007-000148	R-CHIP;10Kohm,5%,1/16W,TP,1005	1	S.N.A	
...4	R4201_PWM	2007-000148	R-CHIP;10Kohm,5%,1/16W,TP,1005	1	S.N.A	
...4	R4475	2007-000148	R-CHIP;10Kohm,5%,1/16W,TP,1005	1	S.N.A	
...4	R4484	2007-000148	R-CHIP;10Kohm,5%,1/16W,TP,1005	1	S.N.A	
...4	R4489	2007-000148	R-CHIP;10Kohm,5%,1/16W,TP,1005	1	S.N.A	

5. Exploded View & Part List

Level	Location No.	Code No.	Description & Specification	Q'ty	SA/SNA	Remark
...4	R4490	2007-000148	R-CHIP;10Kohm,5%,1/16W,TP,1005	1	S.N.A	
...4	R4491	2007-000148	R-CHIP;10Kohm,5%,1/16W,TP,1005	1	S.N.A	
...4	R4541	2007-000148	R-CHIP;10Kohm,5%,1/16W,TP,1005	1	S.N.A	
...4	R4542	2007-000148	R-CHIP;10Kohm,5%,1/16W,TP,1005	1	S.N.A	
...4	R4544	2007-000148	R-CHIP;10Kohm,5%,1/16W,TP,1005	1	S.N.A	
...4	R4626	2007-000148	R-CHIP;10Kohm,5%,1/16W,TP,1005	1	S.N.A	
...4	R4627	2007-000148	R-CHIP;10Kohm,5%,1/16W,TP,1005	1	S.N.A	
...4	R4628_TCON	2007-000148	R-CHIP;10Kohm,5%,1/16W,TP,1005	1	S.N.A	
...4	R4900_DET	2007-000148	R-CHIP;10Kohm,5%,1/16W,TP,1005	1	S.N.A	
...4	R5017	2007-000148	R-CHIP;10Kohm,5%,1/16W,TP,1005	1	S.N.A	
...4	R5018	2007-000148	R-CHIP;10Kohm,5%,1/16W,TP,1005	1	S.N.A	
...4	R5024	2007-000148	R-CHIP;10Kohm,5%,1/16W,TP,1005	1	S.N.A	
...4	R5025	2007-000148	R-CHIP;10Kohm,5%,1/16W,TP,1005	1	S.N.A	
...4	R5068	2007-000148	R-CHIP;10Kohm,5%,1/16W,TP,1005	1	S.N.A	
...4	R6026	2007-000148	R-CHIP;10Kohm,5%,1/16W,TP,1005	1	S.N.A	
...4	R6028	2007-000148	R-CHIP;10Kohm,5%,1/16W,TP,1005	1	S.N.A	
...4	R6029	2007-000148	R-CHIP;10Kohm,5%,1/16W,TP,1005	1	S.N.A	
...4	R6057	2007-000148	R-CHIP;10Kohm,5%,1/16W,TP,1005	1	S.N.A	
...4	R6058	2007-000148	R-CHIP;10Kohm,5%,1/16W,TP,1005	1	S.N.A	
...4	R6059	2007-000148	R-CHIP;10Kohm,5%,1/16W,TP,1005	1	S.N.A	
...4	R6065	2007-000148	R-CHIP;10Kohm,5%,1/16W,TP,1005	1	S.N.A	
...4	R6310	2007-000148	R-CHIP;10Kohm,5%,1/16W,TP,1005	1	S.N.A	
...4	R6311	2007-000148	R-CHIP;10Kohm,5%,1/16W,TP,1005	1	S.N.A	
...4	R6312	2007-000148	R-CHIP;10Kohm,5%,1/16W,TP,1005	1	S.N.A	
...4	R7023	2007-000148	R-CHIP;10Kohm,5%,1/16W,TP,1005	1	S.N.A	
...4	R7025	2007-000148	R-CHIP;10Kohm,5%,1/16W,TP,1005	1	S.N.A	
...4	R7039	2007-000148	R-CHIP;10Kohm,5%,1/16W,TP,1005	1	S.N.A	
...4	R7063	2007-000148	R-CHIP;10Kohm,5%,1/16W,TP,1005	1	S.N.A	
...4	R7064	2007-000148	R-CHIP;10Kohm,5%,1/16W,TP,1005	1	S.N.A	
...4	R9019	2007-000148	R-CHIP;10Kohm,5%,1/16W,TP,1005	1	S.N.A	
...4	R9025	2007-000148	R-CHIP;10Kohm,5%,1/16W,TP,1005	1	S.N.A	
...4	R9216	2007-000148	R-CHIP;10Kohm,5%,1/16W,TP,1005	1	S.N.A	
...4	R9217	2007-000148	R-CHIP;10Kohm,5%,1/16W,TP,1005	1	S.N.A	
...4	R9901_EU	2007-000148	R-CHIP;10Kohm,5%,1/16W,TP,1005	1	S.N.A	
...4	R9905_EU	2007-000148	R-CHIP;10Kohm,5%,1/16W,TP,1005	1	S.N.A	
...4	R2009	2007-000153	R-CHIP;22Kohm,5%,1/16W,TP,1005	1	S.N.A	
...4	R2013_12V	2007-000153	R-CHIP;22Kohm,5%,1/16W,TP,1005	1	S.N.A	
...4	R2017	2007-000153	R-CHIP;22Kohm,5%,1/16W,TP,1005	1	S.N.A	
...4	R4477_EU	2007-000153	R-CHIP;22Kohm,5%,1/16W,TP,1005	1	S.N.A	
...4	R4568_EU	2007-000153	R-CHIP;22Kohm,5%,1/16W,TP,1005	1	S.N.A	
...4	R7057	2007-000153	R-CHIP;22Kohm,5%,1/16W,TP,1005	1	S.N.A	
...4	R7007_EU	2007-000157	R-CHIP;47Kohm,5%,1/16W,TP,1005	1	S.N.A	
...4	R7009_EU	2007-000157	R-CHIP;47Kohm,5%,1/16W,TP,1005	1	S.N.A	
...4	R9115	2007-000157	R-CHIP;47Kohm,5%,1/16W,TP,1005	1	S.N.A	
...4	R9116	2007-000157	R-CHIP;47Kohm,5%,1/16W,TP,1005	1	S.N.A	
...4	R4045	2007-000170	R-CHIP;1Mohm,5%,1/16W,TP,1005	1	S.N.A	
...4	R11118_JEI	2007-000171	R-CHIP;0ohm,5%,1/16W,TP,1005	1	S.N.A	
...4	R11126_HD	2007-000171	R-CHIP;0ohm,5%,1/16W,TP,1005	1	S.N.A	
...4	R11127_HD	2007-000171	R-CHIP;0ohm,5%,1/16W,TP,1005	1	S.N.A	
...4	R11128_TCO	2007-000171	R-CHIP;0ohm,5%,1/16W,TP,1005	1	S.N.A	
...4	R11129_TCO	2007-000171	R-CHIP;0ohm,5%,1/16W,TP,1005	1	S.N.A	

## 5. Exploded View &amp; Part List

Level	Location No.	Code No.	Description & Specification	Q'ty	SA/SNA	Remark
...4	R11130_TCO	2007-000171	R-CHIP;0ohm,5%,1/16W,TP,1005	1	S.N.A	
...4	R11200	2007-000171	R-CHIP;0ohm,5%,1/16W,TP,1005	1	S.N.A	
...4	R11201	2007-000171	R-CHIP;0ohm,5%,1/16W,TP,1005	1	S.N.A	
...4	R12000	2007-000171	R-CHIP;0ohm,5%,1/16W,TP,1005	1	S.N.A	
...4	R12001	2007-000171	R-CHIP;0ohm,5%,1/16W,TP,1005	1	S.N.A	
...4	R2301_PWM	2007-000171	R-CHIP;0ohm,5%,1/16W,TP,1005	1	S.N.A	
...4	R4700	2007-000171	R-CHIP;0ohm,5%,1/16W,TP,1005	1	S.N.A	
...4	R4701	2007-000171	R-CHIP;0ohm,5%,1/16W,TP,1005	1	S.N.A	
...4	R4702	2007-000171	R-CHIP;0ohm,5%,1/16W,TP,1005	1	S.N.A	
...4	R4703	2007-000171	R-CHIP;0ohm,5%,1/16W,TP,1005	1	S.N.A	
...4	R5910_FA	2007-000171	R-CHIP;0ohm,5%,1/16W,TP,1005	1	S.N.A	
...4	R5911_FA	2007-000171	R-CHIP;0ohm,5%,1/16W,TP,1005	1	S.N.A	
...4	R6016	2007-000172	R-CHIP;10ohm,5%,1/16W,TP,1005	1	S.N.A	
...4	R6050	2007-000172	R-CHIP;10ohm,5%,1/16W,TP,1005	1	S.N.A	
...4	R6350	2007-000172	R-CHIP;10ohm,5%,1/16W,TP,1005	1	S.N.A	
...4	R8306	2007-000173	R-CHIP;22ohm,5%,1/16W,TP,1005	1	S.N.A	
...4	R8307	2007-000173	R-CHIP;22ohm,5%,1/16W,TP,1005	1	S.N.A	
...4	R8323	2007-000173	R-CHIP;22ohm,5%,1/16W,TP,1005	1	S.N.A	
...4	R8325	2007-000173	R-CHIP;22ohm,5%,1/16W,TP,1005	1	S.N.A	
...4	R8326	2007-000173	R-CHIP;22ohm,5%,1/16W,TP,1005	1	S.N.A	
...4	R8333	2007-000173	R-CHIP;22ohm,5%,1/16W,TP,1005	1	S.N.A	
...4	R8335	2007-000173	R-CHIP;22ohm,5%,1/16W,TP,1005	1	S.N.A	
...4	R8336	2007-000173	R-CHIP;22ohm,5%,1/16W,TP,1005	1	S.N.A	
...4	R8349	2007-000173	R-CHIP;22ohm,5%,1/16W,TP,1005	1	S.N.A	
...4	R8355	2007-000173	R-CHIP;22ohm,5%,1/16W,TP,1005	1	S.N.A	
...4	R8357	2007-000173	R-CHIP;22ohm,5%,1/16W,TP,1005	1	S.N.A	
...4	R8358	2007-000173	R-CHIP;22ohm,5%,1/16W,TP,1005	1	S.N.A	
...4	R8404	2007-000173	R-CHIP;22ohm,5%,1/16W,TP,1005	1	S.N.A	
...4	R8430	2007-000173	R-CHIP;22ohm,5%,1/16W,TP,1005	1	S.N.A	
...4	R8438	2007-000173	R-CHIP;22ohm,5%,1/16W,TP,1005	1	S.N.A	
...4	R8496	2007-000173	R-CHIP;22ohm,5%,1/16W,TP,1005	1	S.N.A	
...4	R8638	2007-000173	R-CHIP;22ohm,5%,1/16W,TP,1005	1	S.N.A	
...4	R3402	2007-000174	R-CHIP;47ohm,5%,1/16W,TP,1005	1	S.N.A	
...4	R3403	2007-000174	R-CHIP;47ohm,5%,1/16W,TP,1005	1	S.N.A	
...4	R4005	2007-000174	R-CHIP;47ohm,5%,1/16W,TP,1005	1	S.N.A	
...4	R4006	2007-000174	R-CHIP;47ohm,5%,1/16W,TP,1005	1	S.N.A	
...4	R4017	2007-000174	R-CHIP;47ohm,5%,1/16W,TP,1005	1	S.N.A	
...4	R4021	2007-000174	R-CHIP;47ohm,5%,1/16W,TP,1005	1	S.N.A	
...4	R4022	2007-000174	R-CHIP;47ohm,5%,1/16W,TP,1005	1	S.N.A	
...4	R4333	2007-000174	R-CHIP;47ohm,5%,1/16W,TP,1005	1	S.N.A	
...4	R4334	2007-000174	R-CHIP;47ohm,5%,1/16W,TP,1005	1	S.N.A	
...4	R4344	2007-000174	R-CHIP;47ohm,5%,1/16W,TP,1005	1	S.N.A	
...4	R4345	2007-000174	R-CHIP;47ohm,5%,1/16W,TP,1005	1	S.N.A	
...4	R4590	2007-000174	R-CHIP;47ohm,5%,1/16W,TP,1005	1	S.N.A	
...4	R4591	2007-000174	R-CHIP;47ohm,5%,1/16W,TP,1005	1	S.N.A	
...4	R5015	2007-000174	R-CHIP;47ohm,5%,1/16W,TP,1005	1	S.N.A	
...4	R5016	2007-000174	R-CHIP;47ohm,5%,1/16W,TP,1005	1	S.N.A	
...4	R5028	2007-000174	R-CHIP;47ohm,5%,1/16W,TP,1005	1	S.N.A	
...4	R5029	2007-000174	R-CHIP;47ohm,5%,1/16W,TP,1005	1	S.N.A	
...4	R5031	2007-000174	R-CHIP;47ohm,5%,1/16W,TP,1005	1	S.N.A	
...4	R5055	2007-000174	R-CHIP;47ohm,5%,1/16W,TP,1005	1	S.N.A	

5. Exploded View & Part List

Level	Location No.	Code No.	Description & Specification	Q'ty	SA/SNA	Remark
...4	R5056	2007-000174	R-CHIP;47ohm,5%,1/16W,TP,1005	1	S.N.A	
...4	R6034	2007-000174	R-CHIP;47ohm,5%,1/16W,TP,1005	1	S.N.A	
...4	R6035	2007-000174	R-CHIP;47ohm,5%,1/16W,TP,1005	1	S.N.A	
...4	R6061	2007-000174	R-CHIP;47ohm,5%,1/16W,TP,1005	1	S.N.A	
...4	R6062	2007-000174	R-CHIP;47ohm,5%,1/16W,TP,1005	1	S.N.A	
...4	R6313	2007-000174	R-CHIP;47ohm,5%,1/16W,TP,1005	1	S.N.A	
...4	R6314	2007-000174	R-CHIP;47ohm,5%,1/16W,TP,1005	1	S.N.A	
...4	R7034	2007-000174	R-CHIP;47ohm,5%,1/16W,TP,1005	1	S.N.A	
...4	R7035	2007-000174	R-CHIP;47ohm,5%,1/16W,TP,1005	1	S.N.A	
...4	R7036	2007-000174	R-CHIP;47ohm,5%,1/16W,TP,1005	1	S.N.A	
...4	R5064	2007-000640	R-CHIP;270ohm,1%,1/10W,TP,1608	1	S.A	
...4	R5067	2007-000640	R-CHIP;270ohm,1%,1/10W,TP,1608	1	S.A	
...4	R9020	2007-000695	R-CHIP;3.3ohm,5%,1/10W,TP,1608	1	S.A	
...4	R9021	2007-000695	R-CHIP;3.3ohm,5%,1/10W,TP,1608	1	S.A	
...4	R9022	2007-000695	R-CHIP;3.3ohm,5%,1/10W,TP,1608	1	S.A	
...4	R9023	2007-000695	R-CHIP;3.3ohm,5%,1/10W,TP,1608	1	S.A	
...4	R2032	2007-000708	R-CHIP;3.9Kohm,1%,1/10W,TP,1608	1	S.A	
...4	R5571	2007-000763	R-CHIP;330ohm,1%,1/10W,TP,1608	1	S.N.A	
...4	R4587	2007-000821	R-CHIP;390ohm,1%,1/10W,TP,1608	1	S.N.A	
...4	R2103	2007-000828	R-CHIP;39Kohm,1%,1/10W,TP,1608	1	S.A	
...4	R11054	2007-000932	R-CHIP;470ohm,5%,1/16W,TP,1005	1	S.N.A	
...4	R5087	2007-000932	R-CHIP;470ohm,5%,1/16W,TP,1005	1	S.N.A	
...4	R7043	2007-000932	R-CHIP;470ohm,5%,1/16W,TP,1005	1	S.N.A	
...4	R7077	2007-000932	R-CHIP;470ohm,5%,1/16W,TP,1005	1	S.N.A	
...4	R9080	2007-000932	R-CHIP;470ohm,5%,1/16W,TP,1005	1	S.N.A	
...4	R9931_EU	2007-000932	R-CHIP;470ohm,5%,1/16W,TP,1005	1	S.N.A	
...4	R9932_EU	2007-000932	R-CHIP;470ohm,5%,1/16W,TP,1005	1	S.N.A	
...4	R9935	2007-000932	R-CHIP;470ohm,5%,1/16W,TP,1005	1	S.N.A	
...4	R9936	2007-000932	R-CHIP;470ohm,5%,1/16W,TP,1005	1	S.N.A	
...4	R2101	2007-001175	R-CHIP;8.2Kohm,1%,1/10W,TP,1608	1	S.A	
...4	R7054	2007-001217	R-CHIP;82ohm,5%,1/16W,TP,1005	1	S.N.A	
...4	R6055	2007-001285	R-CHIP;5.6ohm,5%,1/16W,TP,1005	1	S.A	
...4	R6056	2007-001285	R-CHIP;5.6ohm,5%,1/16W,TP,1005	1	S.A	
...4	R2400	2007-001292	R-CHIP;33ohm,5%,1/16W,TP,1005	1	S.N.A	
...4	R4132	2007-001292	R-CHIP;33ohm,5%,1/16W,TP,1005	1	S.N.A	
...4	R4133	2007-001292	R-CHIP;33ohm,5%,1/16W,TP,1005	1	S.N.A	
...4	R4134	2007-001292	R-CHIP;33ohm,5%,1/16W,TP,1005	1	S.N.A	
...4	R4142	2007-001292	R-CHIP;33ohm,5%,1/16W,TP,1005	1	S.N.A	
...4	R4143	2007-001292	R-CHIP;33ohm,5%,1/16W,TP,1005	1	S.N.A	
...4	R4144	2007-001292	R-CHIP;33ohm,5%,1/16W,TP,1005	1	S.N.A	
...4	R4401	2007-001292	R-CHIP;33ohm,5%,1/16W,TP,1005	1	S.N.A	
...4	R4402	2007-001292	R-CHIP;33ohm,5%,1/16W,TP,1005	1	S.N.A	
...4	R4403	2007-001292	R-CHIP;33ohm,5%,1/16W,TP,1005	1	S.N.A	
...4	R4404	2007-001292	R-CHIP;33ohm,5%,1/16W,TP,1005	1	S.N.A	
...4	R4405	2007-001292	R-CHIP;33ohm,5%,1/16W,TP,1005	1	S.N.A	
...4	R4406	2007-001292	R-CHIP;33ohm,5%,1/16W,TP,1005	1	S.N.A	
...4	R4407	2007-001292	R-CHIP;33ohm,5%,1/16W,TP,1005	1	S.N.A	
...4	R4408	2007-001292	R-CHIP;33ohm,5%,1/16W,TP,1005	1	S.N.A	
...4	R4409	2007-001292	R-CHIP;33ohm,5%,1/16W,TP,1005	1	S.N.A	
...4	R4410	2007-001292	R-CHIP;33ohm,5%,1/16W,TP,1005	1	S.N.A	
...4	R4411	2007-001292	R-CHIP;33ohm,5%,1/16W,TP,1005	1	S.N.A	



## 5. Exploded View &amp; Part List

Level	Location No.	Code No.	Description & Specification	Q'ty	SA/SNA	Remark
...4	R4412	2007-001292	R-CHIP;33ohm,5%,1/16W,TP,1005	1	S.N.A	
...4	R4413	2007-001292	R-CHIP;33ohm,5%,1/16W,TP,1005	1	S.N.A	
...4	R7055	2007-001298	R-CHIP;51ohm,5%,1/16W,TP,1005	1	S.N.A	
...4	R8017	2007-001306	R-CHIP;150ohm,5%,1/16W,TP,1005	1	S.A	
...4	R8117	2007-001306	R-CHIP;150ohm,5%,1/16W,TP,1005	1	S.A	
...4	R2036	2007-001325	R-CHIP;3.3Kohm,5%,1/16W,TP,1005	1	S.N.A	
...4	R4093_PWM	2007-001325	R-CHIP;3.3Kohm,5%,1/16W,TP,1005	1	S.N.A	
...4	R5013	2007-001325	R-CHIP;3.3Kohm,5%,1/16W,TP,1005	1	S.N.A	
...4	R5014	2007-001325	R-CHIP;3.3Kohm,5%,1/16W,TP,1005	1	S.N.A	
...4	R9079	2007-001325	R-CHIP;3.3Kohm,5%,1/16W,TP,1005	1	S.N.A	
...4	R5021	2007-001333	R-CHIP;18Kohm,5%,1/16W,TP,1005	1	S.N.A	
...4	R5026	2007-001333	R-CHIP;18Kohm,5%,1/16W,TP,1005	1	S.N.A	
...4	R5027	2007-001333	R-CHIP;18Kohm,5%,1/16W,TP,1005	1	S.N.A	
...4	R5034	2007-001333	R-CHIP;18Kohm,5%,1/16W,TP,1005	1	S.N.A	
...4	R7011_EU	2007-001333	R-CHIP;18Kohm,5%,1/16W,TP,1005	1	S.N.A	
...4	R7030	2007-001333	R-CHIP;18Kohm,5%,1/16W,TP,1005	1	S.N.A	
...4	R7032	2007-001333	R-CHIP;18Kohm,5%,1/16W,TP,1005	1	S.N.A	
...4	R7067	2007-001333	R-CHIP;18Kohm,5%,1/16W,TP,1005	1	S.N.A	
...4	R7068	2007-001333	R-CHIP;18Kohm,5%,1/16W,TP,1005	1	S.N.A	
...4	R2035	2007-002906	R-CHIP;200Kohm,1%,1/10W,TP,1608	1	S.A	
...4	R2100	2007-002906	R-CHIP;200Kohm,1%,1/10W,TP,1608	1	S.A	
...4	R5043	2007-002906	R-CHIP;200Kohm,1%,1/10W,TP,1608	1	S.A	
...4	R6001	2007-002906	R-CHIP;200Kohm,1%,1/10W,TP,1608	1	S.A	
...4	R6038	2007-002906	R-CHIP;200Kohm,1%,1/10W,TP,1608	1	S.A	
...4	R10011_EU	2007-007009	R-CHIP;75ohm,5%,1/16W,TP,1005	1	S.N.A	
...4	R10012_EU	2007-007009	R-CHIP;75ohm,5%,1/16W,TP,1005	1	S.N.A	
...4	R10013_EU	2007-007009	R-CHIP;75ohm,5%,1/16W,TP,1005	1	S.N.A	
...4	R10123_EU	2007-007009	R-CHIP;75ohm,5%,1/16W,TP,1005	1	S.N.A	
...4	R10124_EU	2007-007009	R-CHIP;75ohm,5%,1/16W,TP,1005	1	S.N.A	
...4	R10125_EU	2007-007009	R-CHIP;75ohm,5%,1/16W,TP,1005	1	S.N.A	
...4	R5004	2007-007009	R-CHIP;75ohm,5%,1/16W,TP,1005	1	S.N.A	
...4	R5008	2007-007009	R-CHIP;75ohm,5%,1/16W,TP,1005	1	S.N.A	
...4	R5009	2007-007009	R-CHIP;75ohm,5%,1/16W,TP,1005	1	S.N.A	
...4	R5010	2007-007009	R-CHIP;75ohm,5%,1/16W,TP,1005	1	S.N.A	
...4	R5011	2007-007009	R-CHIP;75ohm,5%,1/16W,TP,1005	1	S.N.A	
...4	R5012	2007-007009	R-CHIP;75ohm,5%,1/16W,TP,1005	1	S.N.A	
...4	R5044	2007-007009	R-CHIP;75ohm,5%,1/16W,TP,1005	1	S.N.A	
...4	R7001	2007-007009	R-CHIP;75ohm,5%,1/16W,TP,1005	1	S.N.A	
...4	R7010	2007-007009	R-CHIP;75ohm,5%,1/16W,TP,1005	1	S.N.A	
...4	R7012_EU	2007-007009	R-CHIP;75ohm,5%,1/16W,TP,1005	1	S.N.A	
...4	R7014	2007-007009	R-CHIP;75ohm,5%,1/16W,TP,1005	1	S.N.A	
...4	R7015	2007-007009	R-CHIP;75ohm,5%,1/16W,TP,1005	1	S.N.A	
...4	R7020_EU	2007-007009	R-CHIP;75ohm,5%,1/16W,TP,1005	1	S.N.A	
...4	R7056	2007-007009	R-CHIP;75ohm,5%,1/16W,TP,1005	1	S.N.A	
...4	R4594	2007-007107	R-CHIP;100Kohm,1%,1/16W,TP,1005	1	S.N.A	
...4	R5046	2007-007107	R-CHIP;100Kohm,1%,1/16W,TP,1005	1	S.N.A	
...4	R9930_EU	2007-007107	R-CHIP;100Kohm,1%,1/16W,TP,1005	1	S.N.A	
...4	R9933_EU	2007-007107	R-CHIP;100Kohm,1%,1/16W,TP,1005	1	S.N.A	
...4	R9934	2007-007107	R-CHIP;100Kohm,1%,1/16W,TP,1005	1	S.N.A	
...4	R9937	2007-007107	R-CHIP;100Kohm,1%,1/16W,TP,1005	1	S.N.A	
...4	R2016	2007-007142	R-CHIP;10Kohm,1%,1/16W,TP,1005	1	S.N.A	

5. Exploded View & Part List

Level	Location No.	Code No.	Description & Specification	Q'ty	SA/SNA	Remark
...4	R2034	2007-007142	R-CHIP;10Kohm,1%,1/16W,TP,1005	1	S.N.A	
...4	R4095	2007-007142	R-CHIP;10Kohm,1%,1/16W,TP,1005	1	S.N.A	
...4	R4352	2007-007142	R-CHIP;10Kohm,1%,1/16W,TP,1005	1	S.N.A	
...4	R2028	2007-007156	R-CHIP;1ohm,5%,1/16W,TP,1005	1	S.N.A	
...4	R2037	2007-007156	R-CHIP;1ohm,5%,1/16W,TP,1005	1	S.N.A	
...4	R2039	2007-007156	R-CHIP;1ohm,5%,1/16W,TP,1005	1	S.N.A	
...4	R5899	2007-007156	R-CHIP;1ohm,5%,1/16W,TP,1005	1	S.N.A	
...4	R5570	2007-007297	R-CHIP;110ohm,1%,1/10W,TP,1608	1	S.A	
...4	R3110	2007-007318	R-CHIP;1Kohm,1%,1/16W,TP,1005	1	S.N.A	
...4	R4316	2007-007318	R-CHIP;1Kohm,1%,1/16W,TP,1005	1	S.N.A	
...4	R8329	2007-007318	R-CHIP;1Kohm,1%,1/16W,TP,1005	1	S.N.A	
...4	R8330	2007-007318	R-CHIP;1Kohm,1%,1/16W,TP,1005	1	S.N.A	
...4	R8363	2007-007318	R-CHIP;1Kohm,1%,1/16W,TP,1005	1	S.N.A	
...4	R8364	2007-007318	R-CHIP;1Kohm,1%,1/16W,TP,1005	1	S.N.A	
...4	R2022	2007-007319	R-CHIP;390ohm,1%,1/16W,TP,1005	1	S.N.A	
...4	R2027	2007-007650	R-CHIP;274ohm,1%,1/10W,TP,1608	1	S.A	
...4	R2026	2007-007721	R-CHIP;560ohm,1%,1/10W,TP,1608	1	S.A	
...4	R4094	2007-007791	R-CHIP;9.1Kohm,1%,1/16W,TP,1005	1	S.N.A	
...4	R4351	2007-007791	R-CHIP;9.1Kohm,1%,1/16W,TP,1005	1	S.N.A	
...4	RA3007	2011-000515	R-NETWORK;4.7Kohm,5%,1/16W,L,CHIP,8P,TP,	1	S.N.A	
...4	RA4000	2011-000651	R-NETWORK;10ohm,5%,1/16W,L,CHIP,8P,TP,32	1	S.N.A	
...4	RA4001	2011-000651	R-NETWORK;10ohm,5%,1/16W,L,CHIP,8P,TP,32	1	S.N.A	
...4	RA4002	2011-000651	R-NETWORK;10ohm,5%,1/16W,L,CHIP,8P,TP,32	1	S.N.A	
...4	RA4003	2011-000651	R-NETWORK;10ohm,5%,1/16W,L,CHIP,8P,TP,32	1	S.N.A	
...4	RA4004	2011-000651	R-NETWORK;10ohm,5%,1/16W,L,CHIP,8P,TP,32	1	S.N.A	
...4	RA4005	2011-000651	R-NETWORK;10ohm,5%,1/16W,L,CHIP,8P,TP,32	1	S.N.A	
...4	R11102	2011-001001	R-NETWORK;0ohm,5%,1/16W,L,CHIP,8P,TP,3.2	1	S.A	
...4	R11103	2011-001001	R-NETWORK;0ohm,5%,1/16W,L,CHIP,8P,TP,3.2	1	S.A	
...4	RA1100_HD	2011-001001	R-NETWORK;0ohm,5%,1/16W,L,CHIP,8P,TP,3.2	1	S.A	
...4	RA1101_HD	2011-001001	R-NETWORK;0ohm,5%,1/16W,L,CHIP,8P,TP,3.2	1	S.A	
...4	RA3001	2011-001011	R-NETWORK;10Kohm,5%,1/16W,L,CHIP,8P,TP,3	1	S.A	
...4	RA4102	2011-001011	R-NETWORK;10Kohm,5%,1/16W,L,CHIP,8P,TP,3	1	S.A	
...4	R10004_EU	2011-001087	R-NETWORK;75ohm,5%,1/16W,L,CHIP,8P,TP,3.	1	S.A	
...4	R10010_EU	2011-001087	R-NETWORK;75ohm,5%,1/16W,L,CHIP,8P,TP,3.	1	S.A	
...4	R10126_EU	2011-001087	R-NETWORK;75ohm,5%,1/16W,L,CHIP,8P,TP,3.	1	S.A	
...4	R10127_EU	2011-001087	R-NETWORK;75ohm,5%,1/16W,L,CHIP,8P,TP,3.	1	S.A	
...4	R3024	2011-001093	R-NETWORK;100ohm,5%,1/16W,L,CHIP,8P,TP,3	1	S.A	
...4	R3025	2011-001093	R-NETWORK;100ohm,5%,1/16W,L,CHIP,8P,TP,3	1	S.A	
...4	RA3002	2011-001093	R-NETWORK;100ohm,5%,1/16W,L,CHIP,8P,TP,3	1	S.A	
...4	RA3003	2011-001093	R-NETWORK;100ohm,5%,1/16W,L,CHIP,8P,TP,3	1	S.A	
...4	RA3004	2011-001093	R-NETWORK;100ohm,5%,1/16W,L,CHIP,8P,TP,3	1	S.A	
...4	RA3005	2011-001093	R-NETWORK;100ohm,5%,1/16W,L,CHIP,8P,TP,3	1	S.A	
...4	RA3006	2011-001093	R-NETWORK;100ohm,5%,1/16W,L,CHIP,8P,TP,3	1	S.A	
...4	RA4100	2011-001093	R-NETWORK;100ohm,5%,1/16W,L,CHIP,8P,TP,3	1	S.A	
...4	RA4101	2011-001093	R-NETWORK;100ohm,5%,1/16W,L,CHIP,8P,TP,3	1	S.A	
...4	RA4014	2011-001261	R-NETWORK;33ohm,5%,1/16W,L,CHIP,8P,TP,2.	1	S.A	
...4	R8321	2011-001262	R-NETWORK;22ohm,5%,1/16W,L,CHIP,8P,TP,2.	1	S.A	
...4	R8322	2011-001262	R-NETWORK;22ohm,5%,1/16W,L,CHIP,8P,TP,2.	1	S.A	
...4	R8324	2011-001262	R-NETWORK;22ohm,5%,1/16W,L,CHIP,8P,TP,2.	1	S.A	
...4	R8327	2011-001262	R-NETWORK;22ohm,5%,1/16W,L,CHIP,8P,TP,2.	1	S.A	
...4	R8401	2011-001262	R-NETWORK;22ohm,5%,1/16W,L,CHIP,8P,TP,2.	1	S.A	

## 5. Exploded View &amp; Part List

Level	Location No.	Code No.	Description & Specification	Q'ty	SA/SNA	Remark
...4	R8402	2011-001262	R-NETWORK;22ohm,5%,1/16W,L,CHIP,8P,TP,2.	1	S.A	
...4	R8403	2011-001262	R-NETWORK;22ohm,5%,1/16W,L,CHIP,8P,TP,2.	1	S.A	
...4	R8405	2011-001262	R-NETWORK;22ohm,5%,1/16W,L,CHIP,8P,TP,2.	1	S.A	
...4	R8406	2011-001262	R-NETWORK;22ohm,5%,1/16W,L,CHIP,8P,TP,2.	1	S.A	
...4	R8407	2011-001262	R-NETWORK;22ohm,5%,1/16W,L,CHIP,8P,TP,2.	1	S.A	
...4	R8408	2011-001262	R-NETWORK;22ohm,5%,1/16W,L,CHIP,8P,TP,2.	1	S.A	
...4	R8409	2011-001262	R-NETWORK;22ohm,5%,1/16W,L,CHIP,8P,TP,2.	1	S.A	
...4	R8410	2011-001262	R-NETWORK;22ohm,5%,1/16W,L,CHIP,8P,TP,2.	1	S.A	
...4	R8433	2011-001262	R-NETWORK;22ohm,5%,1/16W,L,CHIP,8P,TP,2.	1	S.A	
...4	R8434	2011-001262	R-NETWORK;22ohm,5%,1/16W,L,CHIP,8P,TP,2.	1	S.A	
...4	R8435	2011-001262	R-NETWORK;22ohm,5%,1/16W,L,CHIP,8P,TP,2.	1	S.A	
...4	R8436	2011-001262	R-NETWORK;22ohm,5%,1/16W,L,CHIP,8P,TP,2.	1	S.A	
...4	R8437	2011-001262	R-NETWORK;22ohm,5%,1/16W,L,CHIP,8P,TP,2.	1	S.A	
...4	R8504	2011-001262	R-NETWORK;22ohm,5%,1/16W,L,CHIP,8P,TP,2.	1	S.A	
...4	RA9000	2011-001262	R-NETWORK;22ohm,5%,1/16W,L,CHIP,8P,TP,2.	1	S.A	
...4	C9047	2203-000125	C-CER,CHIP;1.2nF,10%,50V,X7R,TP,1608,-	1	S.A	
...4	C9048	2203-000125	C-CER,CHIP;1.2nF,10%,50V,X7R,TP,1608,-	1	S.A	
...4	C9049	2203-000125	C-CER,CHIP;1.2nF,10%,50V,X7R,TP,1608,-	1	S.A	
...4	C9050	2203-000125	C-CER,CHIP;1.2nF,10%,50V,X7R,TP,1608,-	1	S.A	
...4	C5027	2203-000221	C-CER,CHIP;100nF,20%,50V,Y5V,TP,3216	1	S.A	
...4	C7003	2203-000233	C-CER,CHIP;0.1nF,5%,50V,C0G,1005	1	S.A	
...4	C7009_EU	2203-000233	C-CER,CHIP;0.1nF,5%,50V,C0G,1005	1	S.A	
...4	C9096	2203-000233	C-CER,CHIP;0.1nF,5%,50V,C0G,1005	1	S.A	
...4	C9930_EU	2203-000233	C-CER,CHIP;0.1nF,5%,50V,C0G,1005	1	S.A	
...4	C9933_EU	2203-000233	C-CER,CHIP;0.1nF,5%,50V,C0G,1005	1	S.A	
...4	C9934	2203-000233	C-CER,CHIP;0.1nF,5%,50V,C0G,1005	1	S.A	
...4	C9937	2203-000233	C-CER,CHIP;0.1nF,5%,50V,C0G,1005	1	S.A	
...4	C11043	2203-000438	C-CER,CHIP;1nF,10%,50V,X7R,1005	1	S.A	
...4	C3006	2203-000438	C-CER,CHIP;1nF,10%,50V,X7R,1005	1	S.A	
...4	C4041	2203-000438	C-CER,CHIP;1nF,10%,50V,X7R,1005	1	S.A	
...4	C4100_PWM	2203-000438	C-CER,CHIP;1nF,10%,50V,X7R,1005	1	S.A	
...4	C4322	2203-000438	C-CER,CHIP;1nF,10%,50V,X7R,1005	1	S.A	
...4	C4353	2203-000438	C-CER,CHIP;1nF,10%,50V,X7R,1005	1	S.A	
...4	C4422	2203-000438	C-CER,CHIP;1nF,10%,50V,X7R,1005	1	S.A	
...4	C8332	2203-000438	C-CER,CHIP;1nF,10%,50V,X7R,1005	1	S.A	
...4	C8367	2203-000438	C-CER,CHIP;1nF,10%,50V,X7R,1005	1	S.A	
...4	C9075	2203-000438	C-CER,CHIP;1nF,10%,50V,X7R,1005	1	S.A	
...4	C9400	2203-000438	C-CER,CHIP;1nF,10%,50V,X7R,1005	1	S.A	
...4	C4178	2203-000491	C-CER,CHIP;2.2nF,10%,50V,X7R,1608	1	S.A	
...4	C4455	2203-000491	C-CER,CHIP;2.2nF,10%,50V,X7R,1608	1	S.A	
...4	C4478_EU	2203-000491	C-CER,CHIP;2.2nF,10%,50V,X7R,1608	1	S.A	
...4	C4479_EU	2203-000491	C-CER,CHIP;2.2nF,10%,50V,X7R,1608	1	S.A	
...4	C3010	2203-000626	C-CER,CHIP;0.022nF,5%,50V,C0G,1608	1	S.N.A	
...4	C3011	2203-000626	C-CER,CHIP;0.022nF,5%,50V,C0G,1608	1	S.N.A	
...4	C9033	2203-000838	C-CER,CHIP;0.39NF,5%,50V,C0G,TP,1608	1	S.A	
...4	C9034	2203-000838	C-CER,CHIP;0.39NF,5%,50V,C0G,TP,1608	1	S.A	
...4	C9035	2203-000838	C-CER,CHIP;0.39NF,5%,50V,C0G,TP,1608	1	S.A	
...4	C9036	2203-000838	C-CER,CHIP;0.39NF,5%,50V,C0G,TP,1608	1	S.A	
...4	C2104	2203-000925	C-CER,CHIP;470nF,+80-20%,50V,Y5V,2012	1	S.A	
...4	C9037	2203-000925	C-CER,CHIP;470nF,+80-20%,50V,Y5V,2012	1	S.A	
...4	C9038	2203-000925	C-CER,CHIP;470nF,+80-20%,50V,Y5V,2012	1	S.A	

5. Exploded View & Part List

Level	Location No.	Code No.	Description & Specification	Q'ty	SA/SNA	Remark
...4	C9010	2203-000995	C-CER,CHIP;0.047nF,5%,50V,C0G,1005	1	S.A	
...4	C9014	2203-000995	C-CER,CHIP;0.047nF,5%,50V,C0G,1005	1	S.A	
...4	C2102	2203-001103	C-CER,CHIP;6.8nF,10%,50V,X7R,1608	1	S.A	
...4	C2605	2203-001103	C-CER,CHIP;6.8nF,10%,50V,X7R,1608	1	S.A	
...4	C4038	2203-001412	C-CER,CHIP;0.03nF,5%,50V,NP0,TP,1005	1	S.N.A	
...4	C4039	2203-001412	C-CER,CHIP;0.03nF,5%,50V,NP0,TP,1005	1	S.N.A	
...4	C4492	2203-001412	C-CER,CHIP;0.03nF,5%,50V,NP0,TP,1005	1	S.N.A	
...4	C5001	2203-001412	C-CER,CHIP;0.03nF,5%,50V,NP0,TP,1005	1	S.N.A	
...4	C5005	2203-001412	C-CER,CHIP;0.03nF,5%,50V,NP0,TP,1005	1	S.N.A	
...4	C5007	2203-001412	C-CER,CHIP;0.03nF,5%,50V,NP0,TP,1005	1	S.N.A	
...4	C5009	2203-001412	C-CER,CHIP;0.03nF,5%,50V,NP0,TP,1005	1	S.N.A	
...4	C5010	2203-001412	C-CER,CHIP;0.03nF,5%,50V,NP0,TP,1005	1	S.N.A	
...4	C7004_EU	2203-001412	C-CER,CHIP;0.03nF,5%,50V,NP0,TP,1005	1	S.N.A	
...4	C7025	2203-001412	C-CER,CHIP;0.03nF,5%,50V,NP0,TP,1005	1	S.N.A	
...4	C7035	2203-001412	C-CER,CHIP;0.03nF,5%,50V,NP0,TP,1005	1	S.N.A	
...4	C2006	2203-001596	C-CER,CHIP;2200nF,+80-20%,50V,Y5V,2012	1	S.A	
...4	C4025	2203-001598	C-CER,CHIP;2200nF,+80-20%,16V,Y5V,2012	1	S.N.A	
...4	C4026	2203-001598	C-CER,CHIP;2200nF,+80-20%,16V,Y5V,2012	1	S.N.A	
...4	C4029	2203-001598	C-CER,CHIP;2200nF,+80-20%,16V,Y5V,2012	1	S.N.A	
...4	C4030	2203-001598	C-CER,CHIP;2200nF,+80-20%,16V,Y5V,2012	1	S.N.A	
...4	C4031	2203-001598	C-CER,CHIP;2200nF,+80-20%,16V,Y5V,2012	1	S.N.A	
...4	C4032	2203-001598	C-CER,CHIP;2200nF,+80-20%,16V,Y5V,2012	1	S.N.A	
...4	C4034	2203-001598	C-CER,CHIP;2200nF,+80-20%,16V,Y5V,2012	1	S.N.A	
...4	C4046	2203-001598	C-CER,CHIP;2200nF,+80-20%,16V,Y5V,2012	1	S.N.A	
...4	C4047	2203-001598	C-CER,CHIP;2200nF,+80-20%,16V,Y5V,2012	1	S.N.A	
...4	C10009_EU	2203-002285	C-CER,CHIP;10nF,10%,50V,X7R,1005	1	S.N.A	
...4	C10034_EU	2203-002285	C-CER,CHIP;10nF,10%,50V,X7R,1005	1	S.N.A	
...4	C2602	2203-002285	C-CER,CHIP;10nF,10%,50V,X7R,1005	1	S.N.A	
...4	C2603	2203-002285	C-CER,CHIP;10nF,10%,50V,X7R,1005	1	S.N.A	
...4	C2700	2203-002285	C-CER,CHIP;10nF,10%,50V,X7R,1005	1	S.N.A	
...4	C3005	2203-002285	C-CER,CHIP;10nF,10%,50V,X7R,1005	1	S.N.A	
...4	C7036	2203-002285	C-CER,CHIP;10nF,10%,50V,X7R,1005	1	S.N.A	
...4	C7037	2203-002285	C-CER,CHIP;10nF,10%,50V,X7R,1005	1	S.N.A	
...4	C7041	2203-002285	C-CER,CHIP;10nF,10%,50V,X7R,1005	1	S.N.A	
...4	C5008	2203-002525	C-CER,CHIP;0.56nF,10%,50V,X7R,TP,1005	1	S.N.A	
...4	C5012	2203-002525	C-CER,CHIP;0.56nF,10%,50V,X7R,TP,1005	1	S.N.A	
...4	C5013	2203-002525	C-CER,CHIP;0.56nF,10%,50V,X7R,TP,1005	1	S.N.A	
...4	C5015	2203-002525	C-CER,CHIP;0.56nF,10%,50V,X7R,TP,1005	1	S.N.A	
...4	C7002_EU	2203-002525	C-CER,CHIP;0.56nF,10%,50V,X7R,TP,1005	1	S.N.A	
...4	C7006_EU	2203-002525	C-CER,CHIP;0.56nF,10%,50V,X7R,TP,1005	1	S.N.A	
...4	C7011	2203-002525	C-CER,CHIP;0.56nF,10%,50V,X7R,TP,1005	1	S.N.A	
...4	C7013	2203-002525	C-CER,CHIP;0.56nF,10%,50V,X7R,TP,1005	1	S.N.A	
...4	C7026	2203-002525	C-CER,CHIP;0.56nF,10%,50V,X7R,TP,1005	1	S.N.A	
...4	C7027	2203-002525	C-CER,CHIP;0.56nF,10%,50V,X7R,TP,1005	1	S.N.A	
...4	C11050	2203-002720	C-CER,CHIP;10nF,10%,25V,X7R,1005	1	S.N.A	
...4	C9023	2203-005065	C-CER,CHIP;1000nF,+80-20%,10V,Y5V,1608	1	S.N.A	
...4	C9027	2203-005065	C-CER,CHIP;1000nF,+80-20%,10V,Y5V,1608	1	S.N.A	
...4	C9028	2203-005065	C-CER,CHIP;1000nF,+80-20%,10V,Y5V,1608	1	S.N.A	
...4	C9029	2203-005065	C-CER,CHIP;1000nF,+80-20%,10V,Y5V,1608	1	S.N.A	
...4	C9018	2203-005249	C-CER,CHIP;100nF,10%,50V,X7R,TP,1608	1	S.N.A	
...4	C9025	2203-005249	C-CER,CHIP;100nF,10%,50V,X7R,TP,1608	1	S.N.A	

## 5. Exploded View &amp; Part List

Level	Location No.	Code No.	Description & Specification	Q'ty	SA/SNA	Remark
....4	C9026	2203-005249	C-CER,CHIP;100nF,10%,50V,X7R,TP,1608	1	S.N.A	
....4	C9030	2203-005249	C-CER,CHIP;100nF,10%,50V,X7R,TP,1608	1	S.N.A	
....4	C9039	2203-005249	C-CER,CHIP;100nF,10%,50V,X7R,TP,1608	1	S.N.A	
....4	C9040	2203-005249	C-CER,CHIP;100nF,10%,50V,X7R,TP,1608	1	S.N.A	
....4	C9041	2203-005249	C-CER,CHIP;100nF,10%,50V,X7R,TP,1608	1	S.N.A	
....4	C9042	2203-005249	C-CER,CHIP;100nF,10%,50V,X7R,TP,1608	1	S.N.A	
....4	C9043	2203-005249	C-CER,CHIP;100nF,10%,50V,X7R,TP,1608	1	S.N.A	
....4	C9044	2203-005249	C-CER,CHIP;100nF,10%,50V,X7R,TP,1608	1	S.N.A	
....4	C9045	2203-005249	C-CER,CHIP;100nF,10%,50V,X7R,TP,1608	1	S.N.A	
....4	C9046	2203-005249	C-CER,CHIP;100nF,10%,50V,X7R,TP,1608	1	S.N.A	
....4	C2105	2203-005834	C-CER,CHIP;2200nF,+80-20%,10V,Y5V,3216	1	S.A	
....4	C2505	2203-005834	C-CER,CHIP;2200nF,+80-20%,10V,Y5V,3216	1	S.A	
....4	C2508	2203-005834	C-CER,CHIP;2200nF,+80-20%,10V,Y5V,3216	1	S.A	
....4	C2509	2203-005834	C-CER,CHIP;2200nF,+80-20%,10V,Y5V,3216	1	S.A	
....4	C2510	2203-005834	C-CER,CHIP;2200nF,+80-20%,10V,Y5V,3216	1	S.A	
....4	C2511	2203-005834	C-CER,CHIP;2200nF,+80-20%,10V,Y5V,3216	1	S.A	
....4	C2590	2203-005834	C-CER,CHIP;2200nF,+80-20%,10V,Y5V,3216	1	S.A	
....4	C2600	2203-005834	C-CER,CHIP;2200nF,+80-20%,10V,Y5V,3216	1	S.A	
....4	C2607	2203-005834	C-CER,CHIP;2200nF,+80-20%,10V,Y5V,3216	1	S.A	
....4	C5028	2203-005834	C-CER,CHIP;2200nF,+80-20%,10V,Y5V,3216	1	S.A	
....4	C5030	2203-005834	C-CER,CHIP;2200nF,+80-20%,10V,Y5V,3216	1	S.A	
....4	C7028	2203-005834	C-CER,CHIP;2200nF,+80-20%,10V,Y5V,3216	1	S.A	
....4	C7029	2203-005834	C-CER,CHIP;2200nF,+80-20%,10V,Y5V,3216	1	S.A	
....4	C2020	2203-006104	C-CER,CHIP;1000nF,10%,50V,X7R,3225	1	S.A	
....4	C2022	2203-006104	C-CER,CHIP;1000nF,10%,50V,X7R,3225	1	S.A	
....4	C4004	2203-006126	C-CER,CHIP;47NF,10%,16V,X7R,TP,1005	1	S.N.A	
....4	C4005	2203-006126	C-CER,CHIP;47NF,10%,16V,X7R,TP,1005	1	S.N.A	
....4	C4007	2203-006126	C-CER,CHIP;47NF,10%,16V,X7R,TP,1005	1	S.N.A	
....4	C4009	2203-006126	C-CER,CHIP;47NF,10%,16V,X7R,TP,1005	1	S.N.A	
....4	C4014	2203-006126	C-CER,CHIP;47NF,10%,16V,X7R,TP,1005	1	S.N.A	
....4	C4018	2203-006126	C-CER,CHIP;47NF,10%,16V,X7R,TP,1005	1	S.N.A	
....4	C4019	2203-006126	C-CER,CHIP;47NF,10%,16V,X7R,TP,1005	1	S.N.A	
....4	C4021	2203-006126	C-CER,CHIP;47NF,10%,16V,X7R,TP,1005	1	S.N.A	
....4	C4312	2203-006126	C-CER,CHIP;47NF,10%,16V,X7R,TP,1005	1	S.N.A	
....4	C4313	2203-006126	C-CER,CHIP;47NF,10%,16V,X7R,TP,1005	1	S.N.A	
....4	C4319	2203-006126	C-CER,CHIP;47NF,10%,16V,X7R,TP,1005	1	S.N.A	
....4	C4320	2203-006126	C-CER,CHIP;47NF,10%,16V,X7R,TP,1005	1	S.N.A	
....4	C4321	2203-006126	C-CER,CHIP;47NF,10%,16V,X7R,TP,1005	1	S.N.A	
....4	C4323	2203-006126	C-CER,CHIP;47NF,10%,16V,X7R,TP,1005	1	S.N.A	
....4	C11041	2203-006141	C-CER,CHIP;1000nF,10%,16V,X5R,1608	1	S.N.A	
....4	C2029	2203-006141	C-CER,CHIP;1000nF,10%,16V,X5R,1608	1	S.N.A	
....4	C4035	2203-006141	C-CER,CHIP;1000nF,10%,16V,X5R,1608	1	S.N.A	
....4	C9003	2203-006141	C-CER,CHIP;1000nF,10%,16V,X5R,1608	1	S.N.A	
....4	C9004	2203-006141	C-CER,CHIP;1000nF,10%,16V,X5R,1608	1	S.N.A	
....4	C9316	2203-006141	C-CER,CHIP;1000nF,10%,16V,X5R,1608	1	S.N.A	
....4	C9317	2203-006141	C-CER,CHIP;1000nF,10%,16V,X5R,1608	1	S.N.A	
....4	C9318	2203-006141	C-CER,CHIP;1000nF,10%,16V,X5R,1608	1	S.N.A	
....4	C9902_EU	2203-006141	C-CER,CHIP;1000nF,10%,16V,X5R,1608	1	S.N.A	
....4	C9903_EU	2203-006141	C-CER,CHIP;1000nF,10%,16V,X5R,1608	1	S.N.A	
....4	C9906_EU	2203-006141	C-CER,CHIP;1000nF,10%,16V,X5R,1608	1	S.N.A	
....4	C10033_EU	2203-006158	C-CER,CHIP;100nF,10%,16V,X7R,1005	1	S.N.A	

5. Exploded View & Part List

Level	Location No.	Code No.	Description & Specification	Q'ty	SA/SNA	Remark
...4	C10035_EU	2203-006158	C-CER,CHIP;100nF,10%,16V,X7R,1005	1	S.N.A	
...4	C10037_EU	2203-006158	C-CER,CHIP;100nF,10%,16V,X7R,1005	1	S.N.A	
...4	C11044	2203-006158	C-CER,CHIP;100nF,10%,16V,X7R,1005	1	S.N.A	
...4	C2002	2203-006158	C-CER,CHIP;100nF,10%,16V,X7R,1005	1	S.N.A	
...4	C2017	2203-006158	C-CER,CHIP;100nF,10%,16V,X7R,1005	1	S.N.A	
...4	C2019	2203-006158	C-CER,CHIP;100nF,10%,16V,X7R,1005	1	S.N.A	
...4	C2048	2203-006158	C-CER,CHIP;100nF,10%,16V,X7R,1005	1	S.N.A	
...4	C2051	2203-006158	C-CER,CHIP;100nF,10%,16V,X7R,1005	1	S.N.A	
...4	C2053	2203-006158	C-CER,CHIP;100nF,10%,16V,X7R,1005	1	S.N.A	
...4	C2064	2203-006158	C-CER,CHIP;100nF,10%,16V,X7R,1005	1	S.N.A	
...4	C2068	2203-006158	C-CER,CHIP;100nF,10%,16V,X7R,1005	1	S.N.A	
...4	C2070	2203-006158	C-CER,CHIP;100nF,10%,16V,X7R,1005	1	S.N.A	
...4	C2078	2203-006158	C-CER,CHIP;100nF,10%,16V,X7R,1005	1	S.N.A	
...4	C2082	2203-006158	C-CER,CHIP;100nF,10%,16V,X7R,1005	1	S.N.A	
...4	C2084	2203-006158	C-CER,CHIP;100nF,10%,16V,X7R,1005	1	S.N.A	
...4	C2086	2203-006158	C-CER,CHIP;100nF,10%,16V,X7R,1005	1	S.N.A	
...4	C2089	2203-006158	C-CER,CHIP;100nF,10%,16V,X7R,1005	1	S.N.A	
...4	C2500	2203-006158	C-CER,CHIP;100nF,10%,16V,X7R,1005	1	S.N.A	
...4	C2604	2203-006158	C-CER,CHIP;100nF,10%,16V,X7R,1005	1	S.N.A	
...4	C3002	2203-006158	C-CER,CHIP;100nF,10%,16V,X7R,1005	1	S.N.A	
...4	C3007	2203-006158	C-CER,CHIP;100nF,10%,16V,X7R,1005	1	S.N.A	
...4	C3008	2203-006158	C-CER,CHIP;100nF,10%,16V,X7R,1005	1	S.N.A	
...4	C4001	2203-006158	C-CER,CHIP;100nF,10%,16V,X7R,1005	1	S.N.A	
...4	C4002	2203-006158	C-CER,CHIP;100nF,10%,16V,X7R,1005	1	S.N.A	
...4	C4008	2203-006158	C-CER,CHIP;100nF,10%,16V,X7R,1005	1	S.N.A	
...4	C4013	2203-006158	C-CER,CHIP;100nF,10%,16V,X7R,1005	1	S.N.A	
...4	C4020	2203-006158	C-CER,CHIP;100nF,10%,16V,X7R,1005	1	S.N.A	
...4	C4022	2203-006158	C-CER,CHIP;100nF,10%,16V,X7R,1005	1	S.N.A	
...4	C4023	2203-006158	C-CER,CHIP;100nF,10%,16V,X7R,1005	1	S.N.A	
...4	C4024	2203-006158	C-CER,CHIP;100nF,10%,16V,X7R,1005	1	S.N.A	
...4	C4033	2203-006158	C-CER,CHIP;100nF,10%,16V,X7R,1005	1	S.N.A	
...4	C4037	2203-006158	C-CER,CHIP;100nF,10%,16V,X7R,1005	1	S.N.A	
...4	C4040	2203-006158	C-CER,CHIP;100nF,10%,16V,X7R,1005	1	S.N.A	
...4	C4310	2203-006158	C-CER,CHIP;100nF,10%,16V,X7R,1005	1	S.N.A	
...4	C4311	2203-006158	C-CER,CHIP;100nF,10%,16V,X7R,1005	1	S.N.A	
...4	C4314	2203-006158	C-CER,CHIP;100nF,10%,16V,X7R,1005	1	S.N.A	
...4	C4324	2203-006158	C-CER,CHIP;100nF,10%,16V,X7R,1005	1	S.N.A	
...4	C4354	2203-006158	C-CER,CHIP;100nF,10%,16V,X7R,1005	1	S.N.A	
...4	C5014	2203-006158	C-CER,CHIP;100nF,10%,16V,X7R,1005	1	S.N.A	
...4	C5024	2203-006158	C-CER,CHIP;100nF,10%,16V,X7R,1005	1	S.N.A	
...4	C5026	2203-006158	C-CER,CHIP;100nF,10%,16V,X7R,1005	1	S.N.A	
...4	C5029	2203-006158	C-CER,CHIP;100nF,10%,16V,X7R,1005	1	S.N.A	
...4	C5031	2203-006158	C-CER,CHIP;100nF,10%,16V,X7R,1005	1	S.N.A	
...4	C6001	2203-006158	C-CER,CHIP;100nF,10%,16V,X7R,1005	1	S.N.A	
...4	C6004	2203-006158	C-CER,CHIP;100nF,10%,16V,X7R,1005	1	S.N.A	
...4	C6024	2203-006158	C-CER,CHIP;100nF,10%,16V,X7R,1005	1	S.N.A	
...4	C6111	2203-006158	C-CER,CHIP;100nF,10%,16V,X7R,1005	1	S.N.A	
...4	C6112	2203-006158	C-CER,CHIP;100nF,10%,16V,X7R,1005	1	S.N.A	
...4	C6113	2203-006158	C-CER,CHIP;100nF,10%,16V,X7R,1005	1	S.N.A	
...4	C6114	2203-006158	C-CER,CHIP;100nF,10%,16V,X7R,1005	1	S.N.A	
...4	C6411	2203-006158	C-CER,CHIP;100nF,10%,16V,X7R,1005	1	S.N.A	

Level	Location No.	Code No.	Description & Specification	Q'ty	SA/SNA	Remark
....4	C6412	2203-006158	C-CER,CHIP;100nF,10%,16V,X7R,1005	1	S.N.A	
....4	C6500	2203-006158	C-CER,CHIP;100nF,10%,16V,X7R,1005	1	S.N.A	
....4	C7008	2203-006158	C-CER,CHIP;100nF,10%,16V,X7R,1005	1	S.N.A	
....4	C7017	2203-006158	C-CER,CHIP;100nF,10%,16V,X7R,1005	1	S.N.A	
....4	C7031	2203-006158	C-CER,CHIP;100nF,10%,16V,X7R,1005	1	S.N.A	
....4	C7051	2203-006158	C-CER,CHIP;100nF,10%,16V,X7R,1005	1	S.N.A	
....4	C8331	2203-006158	C-CER,CHIP;100nF,10%,16V,X7R,1005	1	S.N.A	
....4	C8365	2203-006158	C-CER,CHIP;100nF,10%,16V,X7R,1005	1	S.N.A	
....4	C8503	2203-006158	C-CER,CHIP;100nF,10%,16V,X7R,1005	1	S.N.A	
....4	C8505	2203-006158	C-CER,CHIP;100nF,10%,16V,X7R,1005	1	S.N.A	
....4	C9006	2203-006158	C-CER,CHIP;100nF,10%,16V,X7R,1005	1	S.N.A	
....4	C9007	2203-006158	C-CER,CHIP;100nF,10%,16V,X7R,1005	1	S.N.A	
....4	C9008	2203-006158	C-CER,CHIP;100nF,10%,16V,X7R,1005	1	S.N.A	
....4	C9009	2203-006158	C-CER,CHIP;100nF,10%,16V,X7R,1005	1	S.N.A	
....4	C9022	2203-006158	C-CER,CHIP;100nF,10%,16V,X7R,1005	1	S.N.A	
....4	C2015	2203-006307	C-CER,CHIP;1000nF,10%,25V,X5R,2012	1	S.N.A	
....4	C2016	2203-006307	C-CER,CHIP;1000nF,10%,25V,X5R,2012	1	S.N.A	
....4	C2021	2203-006307	C-CER,CHIP;1000nF,10%,25V,X5R,2012	1	S.N.A	
....4	C11051	2203-006336	C-CER,CHIP;1000nF,10%,25V,X5R,3216	1	S.A	
....4	C2014	2203-006336	C-CER,CHIP;1000nF,10%,25V,X5R,3216	1	S.A	
....4	C9019	2203-006336	C-CER,CHIP;1000nF,10%,25V,X5R,3216	1	S.A	
....4	C9024	2203-006336	C-CER,CHIP;1000nF,10%,25V,X5R,3216	1	S.A	
....4	C9031	2203-006336	C-CER,CHIP;1000nF,10%,25V,X5R,3216	1	S.A	
....4	C9032	2203-006336	C-CER,CHIP;1000nF,10%,25V,X5R,3216	1	S.A	
....4	C9110	2203-006992	C-CER,CHIP;0.33nF,5%,50V,C0G,1005	1	S.N.A	
....4	C9111	2203-006992	C-CER,CHIP;0.33nF,5%,50V,C0G,1005	1	S.N.A	
....4	C2010	2203-007176	C-CER,CHIP;10000nF,10%,16V,X5R,TP,2012 (	1	S.N.A	
....4	C2042	2203-007176	C-CER,CHIP;10000nF,10%,16V,X5R,TP,2012 (	1	S.N.A	
....4	C2043	2203-007176	C-CER,CHIP;10000nF,10%,16V,X5R,TP,2012 (	1	S.N.A	
....4	C2044	2203-007176	C-CER,CHIP;10000nF,10%,16V,X5R,TP,2012 (	1	S.N.A	
....4	C2045	2203-007176	C-CER,CHIP;10000nF,10%,16V,X5R,TP,2012 (	1	S.N.A	
....4	C2046	2203-007176	C-CER,CHIP;10000nF,10%,16V,X5R,TP,2012 (	1	S.N.A	
....4	C2071	2203-007176	C-CER,CHIP;10000nF,10%,16V,X5R,TP,2012 (	1	S.N.A	
....4	C2081	2203-007176	C-CER,CHIP;10000nF,10%,16V,X5R,TP,2012 (	1	S.N.A	
....4	C2083	2203-007176	C-CER,CHIP;10000nF,10%,16V,X5R,TP,2012 (	1	S.N.A	
....4	C2085	2203-007176	C-CER,CHIP;10000nF,10%,16V,X5R,TP,2012 (	1	S.N.A	
....4	C2088	2203-007176	C-CER,CHIP;10000nF,10%,16V,X5R,TP,2012 (	1	S.N.A	
....4	C2090	2203-007176	C-CER,CHIP;10000nF,10%,16V,X5R,TP,2012 (	1	S.N.A	
....4	C2302	2203-007176	C-CER,CHIP;10000nF,10%,16V,X5R,TP,2012 (	1	S.N.A	
....4	C2609	2203-007176	C-CER,CHIP;10000nF,10%,16V,X5R,TP,2012 (	1	S.N.A	
....4	C2610	2203-007176	C-CER,CHIP;10000nF,10%,16V,X5R,TP,2012 (	1	S.N.A	
....4	C3009	2203-007176	C-CER,CHIP;10000nF,10%,16V,X5R,TP,2012 (	1	S.N.A	
....4	C4036	2203-007176	C-CER,CHIP;10000nF,10%,16V,X5R,TP,2012 (	1	S.N.A	
....4	C5025	2203-007176	C-CER,CHIP;10000nF,10%,16V,X5R,TP,2012 (	1	S.N.A	
....4	C5032	2203-007176	C-CER,CHIP;10000nF,10%,16V,X5R,TP,2012 (	1	S.N.A	
....4	C5040	2203-007176	C-CER,CHIP;10000nF,10%,16V,X5R,TP,2012 (	1	S.N.A	
....4	C7010	2203-007176	C-CER,CHIP;10000nF,10%,16V,X5R,TP,2012 (	1	S.N.A	
....4	C7024	2203-007176	C-CER,CHIP;10000nF,10%,16V,X5R,TP,2012 (	1	S.N.A	
....4	C8502	2203-007176	C-CER,CHIP;10000nF,10%,16V,X5R,TP,2012 (	1	S.N.A	
....4	C8504	2203-007176	C-CER,CHIP;10000nF,10%,16V,X5R,TP,2012 (	1	S.N.A	
....4	C9005	2203-007176	C-CER,CHIP;10000nF,10%,16V,X5R,TP,2012 (	1	S.N.A	

5. Exploded View & Part List

Level	Location No.	Code No.	Description & Specification	Q'ty	SA/SNA	Remark
...4	C9078	2203-007176	C-CER,CHIP;10000nF,10%,16V,X5R,TP,2012 (	1	S.N.A	
...4	C9314	2203-007176	C-CER,CHIP;10000nF,10%,16V,X5R,TP,2012 (	1	S.N.A	
...4	C9315	2203-007176	C-CER,CHIP;10000nF,10%,16V,X5R,TP,2012 (	1	S.N.A	
...4	C9900_EU	2203-007176	C-CER,CHIP;10000nF,10%,16V,X5R,TP,2012 (	1	S.N.A	
...4	C9905_EU	2203-007176	C-CER,CHIP;10000nF,10%,16V,X5R,TP,2012 (	1	S.N.A	
...4	C9931_EU	2203-007176	C-CER,CHIP;10000nF,10%,16V,X5R,TP,2012 (	1	S.N.A	
...4	C9932_EU	2203-007176	C-CER,CHIP;10000nF,10%,16V,X5R,TP,2012 (	1	S.N.A	
...4	C9935	2203-007176	C-CER,CHIP;10000nF,10%,16V,X5R,TP,2012 (	1	S.N.A	
...4	C9936	2203-007176	C-CER,CHIP;10000nF,10%,16V,X5R,TP,2012 (	1	S.N.A	
...4	CA2000	2503-001051	C-NETWORK;100NFX4,20%,16V,-,2012, 4ARRAY	1	S.A	
...4	CA2002	2503-001051	C-NETWORK;100NFX4,20%,16V,-,2012, 4ARRAY	1	S.A	
...4	CA2003	2503-001051	C-NETWORK;100NFX4,20%,16V,-,2012, 4ARRAY	1	S.A	
...4	CA2004	2503-001051	C-NETWORK;100NFX4,20%,16V,-,2012, 4ARRAY	1	S.A	
...4	CA2005	2503-001051	C-NETWORK;100NFX4,20%,16V,-,2012, 4ARRAY	1	S.A	
...4	CA2006	2503-001051	C-NETWORK;100NFX4,20%,16V,-,2012, 4ARRAY	1	S.A	
...4	CA2007	2503-001051	C-NETWORK;100NFX4,20%,16V,-,2012, 4ARRAY	1	S.A	
...4	CA2008	2503-001051	C-NETWORK;100NFX4,20%,16V,-,2012, 4ARRAY	1	S.A	
...4	CA2009	2503-001051	C-NETWORK;100NFX4,20%,16V,-,2012, 4ARRAY	1	S.A	
...4	CA2010	2503-001051	C-NETWORK;100NFX4,20%,16V,-,2012, 4ARRAY	1	S.A	
...4	CA2011	2503-001051	C-NETWORK;100NFX4,20%,16V,-,2012, 4ARRAY	1	S.A	
...4	CA2012	2503-001051	C-NETWORK;100NFX4,20%,16V,-,2012, 4ARRAY	1	S.A	
...4	CA2013	2503-001051	C-NETWORK;100NFX4,20%,16V,-,2012, 4ARRAY	1	S.A	
...4	CA2014	2503-001051	C-NETWORK;100NFX4,20%,16V,-,2012, 4ARRAY	1	S.A	
...4	T0052	2703-000398	INDUCTOR-SMD;10uH,10%,3225	1	S.A	
...4	T0052	2703-000398	INDUCTOR-SMD;10uH,10%,3225	1	S.A	
...4	T0052	2703-000398	INDUCTOR-SMD;10uH,10%,3225	1	S.A	
...4	T0052	2703-001778	INDUCTOR-SMD;3.3uH,20%,3225	1	S.A	
...4	T0052	2703-002916	INDUCTOR-SMD;10uH,20%,8080	1	S.A	
...4	T0052	2703-002916	INDUCTOR-SMD;10uH,20%,8080	1	S.A	
...4	L9001	2704-000018	INDUCTOR-SMD-ARRAY;15uH,2000mA,2,0.124oh	1	S.N.A	
...4	L9002	2704-000018	INDUCTOR-SMD-ARRAY;15uH,2000mA,2,0.124oh	1	S.N.A	
...4	X202	2801-003326	CRYSTAL-SMD;24MHZ,30PPM,28-ABX,20PF,50OH	1	S.A	
...4	X202	2801-003773	CRYSTAL-SMD;12MHz,30ppm,28-AAN,20pF,50oh	1	S.A	
...4	T0568	3301-000314	BEAD-SMD;120ohm,1.6x0.8x0.8mm,-,-,-	1	S.N.A	
...4	T0568	3301-000314	BEAD-SMD;120ohm,1.6x0.8x0.8mm,-,-,-	1	S.N.A	
...4	T0568	3301-001145	BEAD-SMD;60ohm,4516,TP,70ohm/45MHz,82ohm	1	S.N.A	
...4	T0568	3301-001145	BEAD-SMD;60ohm,4516,TP,70ohm/45MHz,82ohm	1	S.N.A	
...4	T0568	3301-001145	BEAD-SMD;60ohm,4516,TP,70ohm/45MHz,82ohm	1	S.N.A	
...4	T0568	3301-001145	BEAD-SMD;60ohm,4516,TP,70ohm/45MHz,82ohm	1	S.N.A	
...4	T0568	3301-001163	BEAD-SMD;80ohm,2012,TP,-,192ohm/867MHz	1	S.N.A	
...4	T0568	3301-001236	BEAD-SMD;60ohm,1608,-,-,-	1	S.N.A	
...4	T0568	3301-001236	BEAD-SMD;60ohm,1608,-,-,-	1	S.N.A	
...4	T0568	3301-001236	BEAD-SMD;60ohm,1608,-,-,-	1	S.N.A	
...4	T0568	3301-001236	BEAD-SMD;60ohm,1608,-,-,-	1	S.N.A	
...4	T0568	3301-001236	BEAD-SMD;60ohm,1608,-,-,-	1	S.N.A	
...4	T0568	3301-001236	BEAD-SMD;60ohm,1608,-,-,-	1	S.N.A	
...4	T0568	3301-001236	BEAD-SMD;60ohm,1608,-,-,-	1	S.N.A	
...4	T0568	3301-001236	BEAD-SMD;60ohm,1608,-,-,-	1	S.N.A	
...4	T0568	3301-001236	BEAD-SMD;60ohm,1608,-,-,-	1	S.N.A	
...4	T0568	3301-001404	BEAD-SMD;30ohm,2012,TP,15.9OHM/30MHz	1	S.A	
...4	T0568	3301-001404	BEAD-SMD;30ohm,2012,TP,15.9OHM/30MHz	1	S.A	
...4	T0568	3301-001404	BEAD-SMD;30ohm,2012,TP,15.9OHM/30MHz	1	S.A	



## 5. Exploded View &amp; Part List

Level	Location No.	Code No.	Description & Specification	Q'ty	SA/SNA	Remark
...4	T0568	3301-001404	BEAD-SMD;30ohm,2012,TP,15.9OHM/30MHz	1	S.A	
...4	T0568	3301-001404	BEAD-SMD;30ohm,2012,TP,15.9OHM/30MHz	1	S.A	
...4	T0568	3301-001404	BEAD-SMD;30ohm,2012,TP,15.9OHM/30MHz	1	S.A	
...4	T0568	3301-001404	BEAD-SMD;30ohm,2012,TP,15.9OHM/30MHz	1	S.A	
...4	T0568	3301-001404	BEAD-SMD;30ohm,2012,TP,15.9OHM/30MHz	1	S.A	
...4	T0568	3301-001404	BEAD-SMD;30ohm,2012,TP,15.9OHM/30MHz	1	S.A	
...4	T0568	3301-001404	BEAD-SMD;30ohm,2012,TP,15.9OHM/30MHz	1	S.A	
...4	T0568	3301-001404	BEAD-SMD;30ohm,2012,TP,15.9OHM/30MHz	1	S.A	
...4	T0568	3301-001404	BEAD-SMD;30ohm,2012,TP,15.9OHM/30MHz	1	S.A	
...4	T0568	3301-001404	BEAD-SMD;30ohm,2012,TP,15.9OHM/30MHz	1	S.A	
...4	T0568	3301-001404	BEAD-SMD;30ohm,2012,TP,15.9OHM/30MHz	1	S.A	
...4	T0568	3301-001404	BEAD-SMD;30ohm,2012,TP,15.9OHM/30MHz	1	S.A	
...4	T0568	3301-001404	BEAD-SMD;30ohm,2012,TP,15.9OHM/30MHz	1	S.A	
...4	T0568	3301-001404	BEAD-SMD;30ohm,2012,TP,15.9OHM/30MHz	1	S.A	
...4	T0568	3301-001404	BEAD-SMD;30ohm,2012,TP,15.9OHM/30MHz	1	S.A	
...4	T0568	3301-001404	BEAD-SMD;30ohm,2012,TP,15.9OHM/30MHz	1	S.A	
...4	T0568	3301-001404	BEAD-SMD;30ohm,2012,TP,15.9OHM/30MHz	1	S.A	
...4	T0568	3301-001404	BEAD-SMD;30ohm,2012,TP,15.9OHM/30MHz	1	S.A	
...4	T0568	3301-001560	BEAD-SMD;80ohm,1.6X0.8X0.8mm,200mA,TP,,,	1	S.N.A	
...4	T0568	3301-001560	BEAD-SMD;80ohm,1.6X0.8X0.8mm,200mA,TP,,,	1	S.N.A	
...4	T0568	3301-001560	BEAD-SMD;80ohm,1.6X0.8X0.8mm,200mA,TP,,,	1	S.N.A	
...4	F1001	3601-001374	FUSE-SURFACE MOUNT;32V,5A,FAST-ACTING,Hi	1	S.N.A	
...4	F1002	3601-001374	FUSE-SURFACE MOUNT;32V,5A,FAST-ACTING,Hi	1	S.N.A	
...4	CN6002	3701-001367	CONNECTOR-HDMI;19P,2R,FEMALE,SMD,AU	1	S.A	
...4	CN6009	3701-001367	CONNECTOR-HDMI;19P,2R,FEMALE,SMD,AU	1	S.A	
...4	M0106	3708-001150	CONNECTOR-FPC/FFC/PIC;30P,1mm,SMD-A,SN,Y	1	S.A	
...4	T0077	BN41-01165A	PCB MAIN;Saturn4 DVB,FR-4,4,1.0,1.2T,192	1	S.N.A	
...4	M0018	BN97-03104A	ASSY MICOM;N65A,2008.11.04,T-CRLPEUS-XXX	1	S.N.A	
....5	IC520	0903-001552	IC-MICROCONTROLLER;WT61P8-RG480WT,LQFP,4	1	S.N.A	
...4	M0018	BN97-03104C	ASSY MICOM;0xB3EA,N65A,2008.11.04,T-CRLP	1	S.N.A	
....5	IC115	1107-001777	IC-FLASH MEMORY;MX25L6405DMI-12G,64Mbit	1	S.A	
...4	SUB05	0202-001477	SOLDER-CREAM;LST309-M,D20~45um,96.5Sn/3A	1	S.N.A	
...4	D6032	0407-000114	DIODE-ARRAY;- ,80V,100mA,CA2-3,SOT-23,TP	1	S.N.A	
...4	D6033	0407-000114	DIODE-ARRAY;- ,80V,100mA,CA2-3,SOT-23,TP	1	S.N.A	
...4	D6034	0407-000114	DIODE-ARRAY;- ,80V,100mA,CA2-3,SOT-23,TP	1	S.N.A	
...4	R9214	2007-000096	R-CHIP;30Kohm,5%,1/10W,TP,1608	1	S.A	
...4	R9215	2007-000096	R-CHIP;30Kohm,5%,1/10W,TP,1608	1	S.A	
...4	R9218	2007-000096	R-CHIP;30Kohm,5%,1/10W,TP,1608	1	S.A	
...4	R9219	2007-000096	R-CHIP;30Kohm,5%,1/10W,TP,1608	1	S.A	
...4	R9900_EU	2007-000096	R-CHIP;30Kohm,5%,1/10W,TP,1608	1	S.A	
...4	R9902_EU	2007-000096	R-CHIP;30Kohm,5%,1/10W,TP,1608	1	S.A	
...4	R9903_EU	2007-000096	R-CHIP;30Kohm,5%,1/10W,TP,1608	1	S.A	
...4	R9904_EU	2007-000096	R-CHIP;30Kohm,5%,1/10W,TP,1608	1	S.A	
...4	R7058	2007-000151	R-CHIP;15Kohm,5%,1/16W,TP,1005	1	S.N.A	
...4	C9313	2203-000330	C-CER,CHIP;0.012nF,5%,50V,C0G,1005	1	S.A	
...4	C9319	2203-000330	C-CER,CHIP;0.012nF,5%,50V,C0G,1005	1	S.A	
...4	C9901_EU	2203-000330	C-CER,CHIP;0.012nF,5%,50V,C0G,1005	1	S.A	
...4	C9904_EU	2203-000330	C-CER,CHIP;0.012nF,5%,50V,C0G,1005	1	S.A	
...4	IC3007	1205-003201	IC-BUS SWITCH;TC7WB125FK,SSOP,8P,2x2.3mm	1	S.A	
...4	IC5090	1205-003201	IC-BUS SWITCH;TC7WB125FK,SSOP,8P,2x2.3mm	1	S.A	
...4	R7052	2007-007096	R-CHIP;160ohm,5%,1/16W,TP,1005	1	S.N.A	
...3	T0066	BP62-00017A	HEAT SINK-ES;SP-50L2HX,A6063S,T2.0,26.2,	1	S.N.A	

5. Exploded View & Part List

Level	Location No.	Code No.	Description & Specification	Q'ty	SA/SNA	Remark
0.1	M0112	BN91-03833A	ASSY SHIELD;LE32B450C4WXXC	1	S.N.A	
..2	M0081	6003-000337	SCREW-TAPTITE;BH,+ ,S,M4,L10,ZPC(BLK),SWR	4	S.N.A	
..2	M0081	6003-001188	SCREW-TAPTITE;BH,+ ,-,B,M4,L10,ZPC(WHT),S	2	S.N.A	
..2	M0081	6003-001188	SCREW-TAPTITE;BH,+ ,-,B,M4,L10,ZPC(WHT),S	3	S.N.A	
..2	M0254	BN61-04799A	HOLDER-SIDE AV;B450/B530,HIPS,HB,BK500,1	1	S.N.A	
..2	M0115	BN61-04820A	BRACKET-STAND LINK;B650-32,SECC,T1.2	1	S.N.A	
..2	M0146	BN61-04980A	BRACKET-PANEL TOP;B550-3 32,SECC,T1.2	2	S.N.A	
..2		BN63-05259A	COVER-MAIN;EO,ABS+PMMA,HB,BK23,H/GLOSSY	1	S.N.A	
..2		BN81-01805A	A/S-TAPE FILAMENT;ELMATIT,T0.1,W49,L1200	0.3	S.N.A	
..2	M0230	BN96-07611U	ASSY CABLE P-FFC;LE32B450,FLAT CABLE,330	1	S.A	
..2	M0081	6003-001439	SCREW-TAPTITE;BH,+ ,-,S,M4,L8,ZPC(WHT),SW	1	S.N.A	
..2	M2893	BN39-01099Q	LEAD CONNECTOR;LB5P,UL1007#26,30P,500mm,	1	S.A	
..2		BN81-02422A	A/S-ADHESIVE;TECNOMELT,Q9268H,WHT	0.001	S.N.A	
..2	T0081	6001-002284	SCREW-MACHINE;BH,+ ,M4,L8,ZPC(WHT),SWRCH1	4	S.A	
..2	T0081	6001-002284	SCREW-MACHINE;BH,+ ,M4,L8,ZPC(WHT),SWRCH1	5	S.A	
0.1	M0003	BN92-04463E	ASSY BOX;LB450 32	1	S.N.A	
..2		BN69-03422E	BOX-01,SET;32B450,CB,A-01,DW-75,YEL,W891	1	S.N.A	
0.1	M0113	BN92-04469A	ASSY P/MATERIAL;LB450 32	1	S.N.A	
..2	T0524	6902-000519	BAG PE;HDPE/NITRON,T0.015/T0.05(DOUBLE),	1	S.N.A	
..2		AA01-00004A	FOIL;2000,2000,NTR,SEH	0.083	S.N.A	
..2	T0214	BN74-00008A	TAPE-OPP MASKING;OPP-2,T0.05,W100,L800M,	1.84	S.N.A	
..2		BN81-02321A	BAG-AIR;LIGHT FLEX PLASTIK,PE WHITE,L120	0.006	S.N.A	
..2		BN69-03934A	WRAP STRETCH FILM;All,HDPE,0.012,500,300	0.001	S.N.A	
0.1	M0019	BN92-04536C	ASSY LABEL;LE32B450C4WXXC	1	S.N.A	
0.1	M0045	BN92-04539C	ASSY ACCESSORY;LE32B450C4WXXC	1	S.N.A	
..2	M0045	BN96-10167D	ASSY ACCESSORY-CABLE;LE32B450C4WXXC	1	S.A	
...3	T0268	3903-000145	CBF-POWER CORD;DT,EU,FP3/YES,U(IEC C13-R	1	S.A	
...3	T0081	6002-001294	SCREW-TAPPING;BH,+ ,M4,L16,ZPC(BLK)	4	S.N.A	
...3	M0081	6003-001334	SCREW-TAPTITE;BH,+ ,S,M4,L14,ZPC(BLK),SWR	3	S.N.A	
...3	T0074	BN59-00865A	REMOCON;DLP,CRT,TM940,EUROPE,39	1	S.A	
...3	M9889	BN63-01798B	CLOTH-CLEAN;cloth,180,200,sea blue,ToC	1	S.N.A	
...3	T0531	BN63-05326B	COVER-BOTTOM;LB450 32,HIPS,HB,BK500	1	S.A	
...3		BN68-01402A	MANUAL FLYER-STAND GUIDE;COMM,SAMSUNG,En	1	S.N.A	
...3		BN96-10788A	ASSY ACCESSORY-PREVENT;32,LB650,nylon66	1	S.N.A	
..2	M0045	BN96-10167F	ASSY ACCESSORY-MANUAL;LE26B450C4WXXC	1	S.A	
...3		AA68-03242Q	MANUAL FLYER-02,SAFETY GUIDE;comm,Samsun	1	S.N.A	
...3	T0076	BN68-00514E	MANUAL FLYER-02,WARRANTY CARD;comm,Samsu	1	S.N.A	
...3		BN68-00907D	MANUAL FLYER-WEEE BATTERY;COMM,SAMSUNG,2	1	S.N.A	
...3	T0511	BN68-01981A	MANUAL USERS;COMM,SAMSUNG,9Langs,W.EUROP	1	S.N.A	