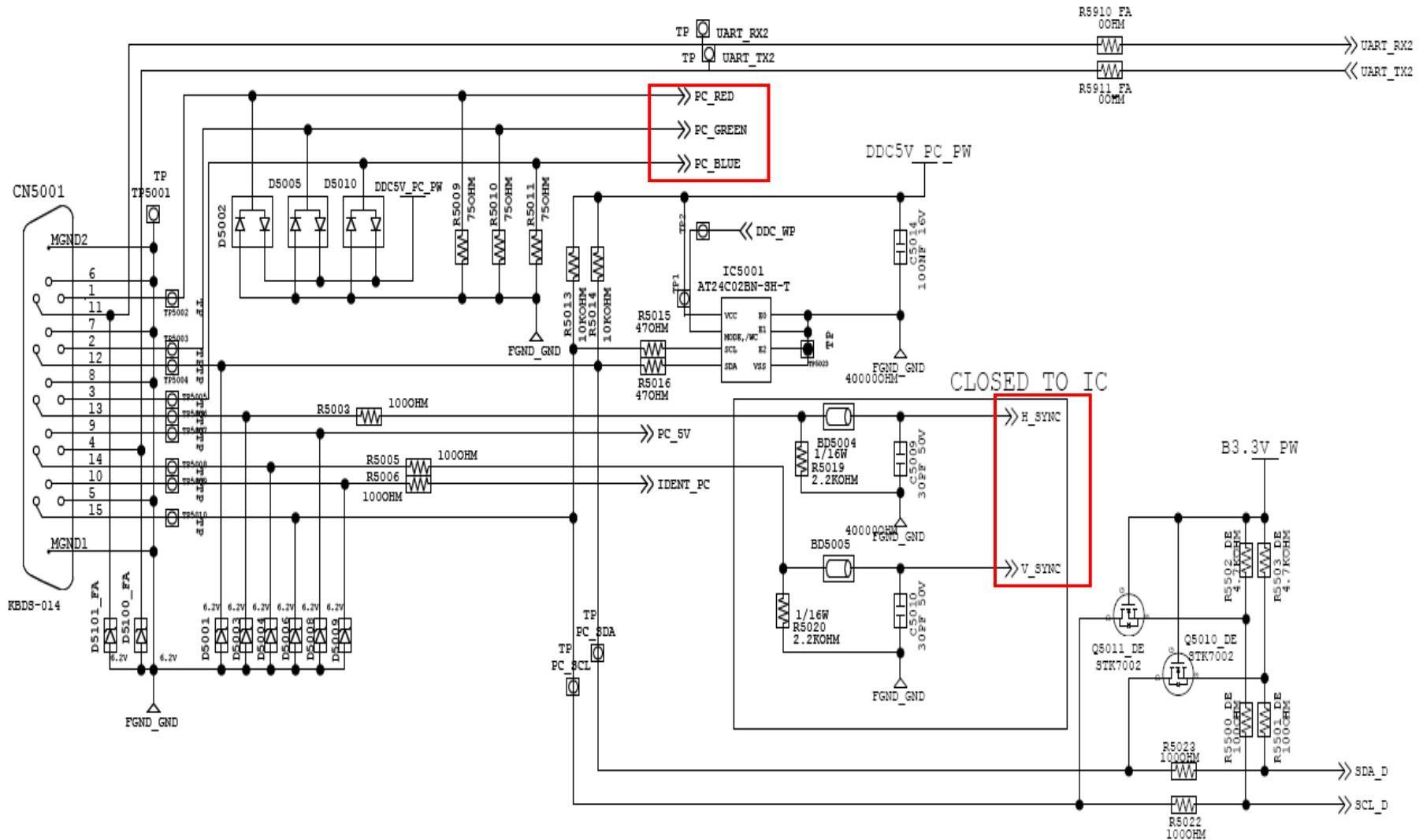


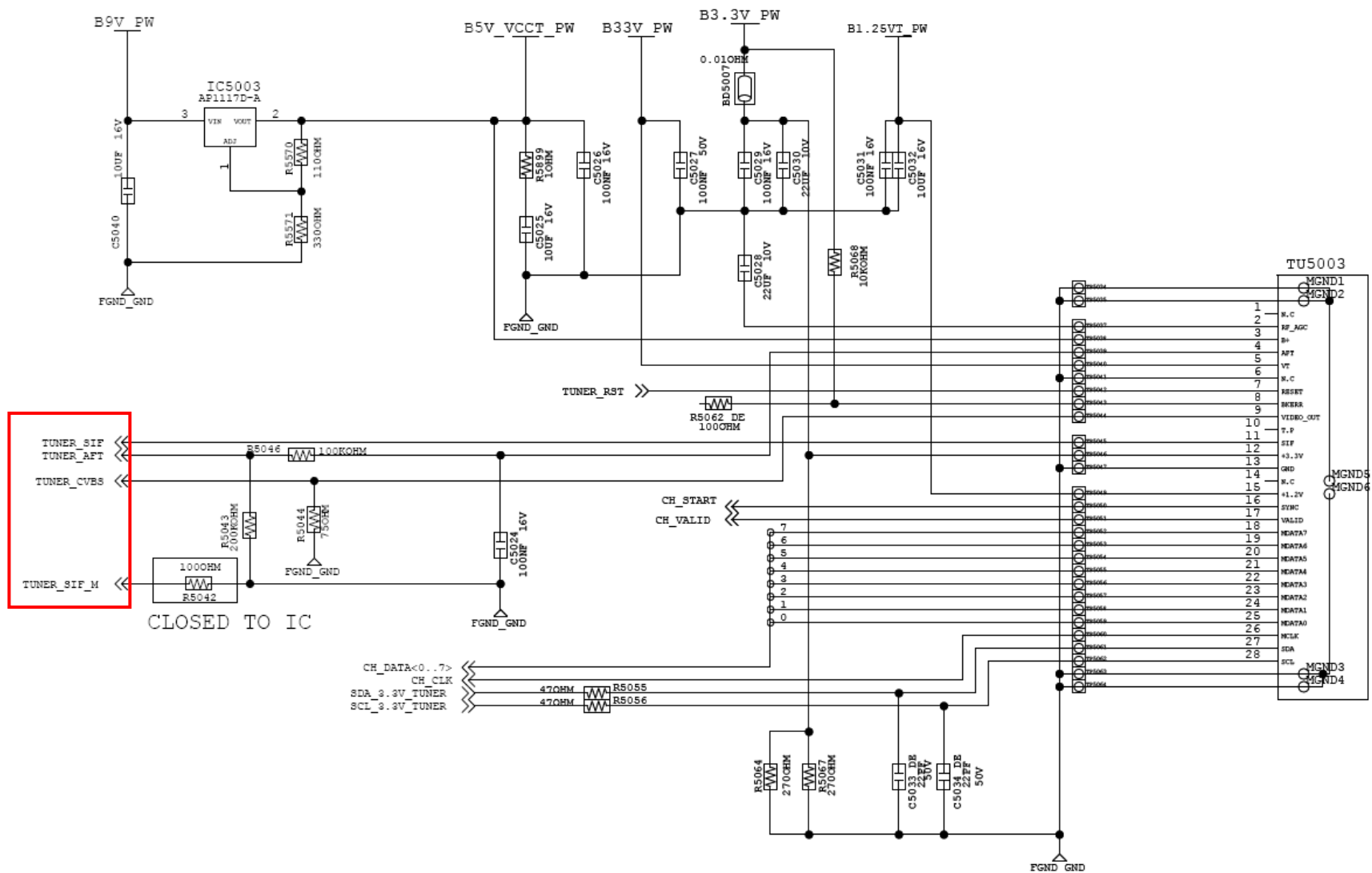
# 4. Signal Flows Information

## PC INPUT

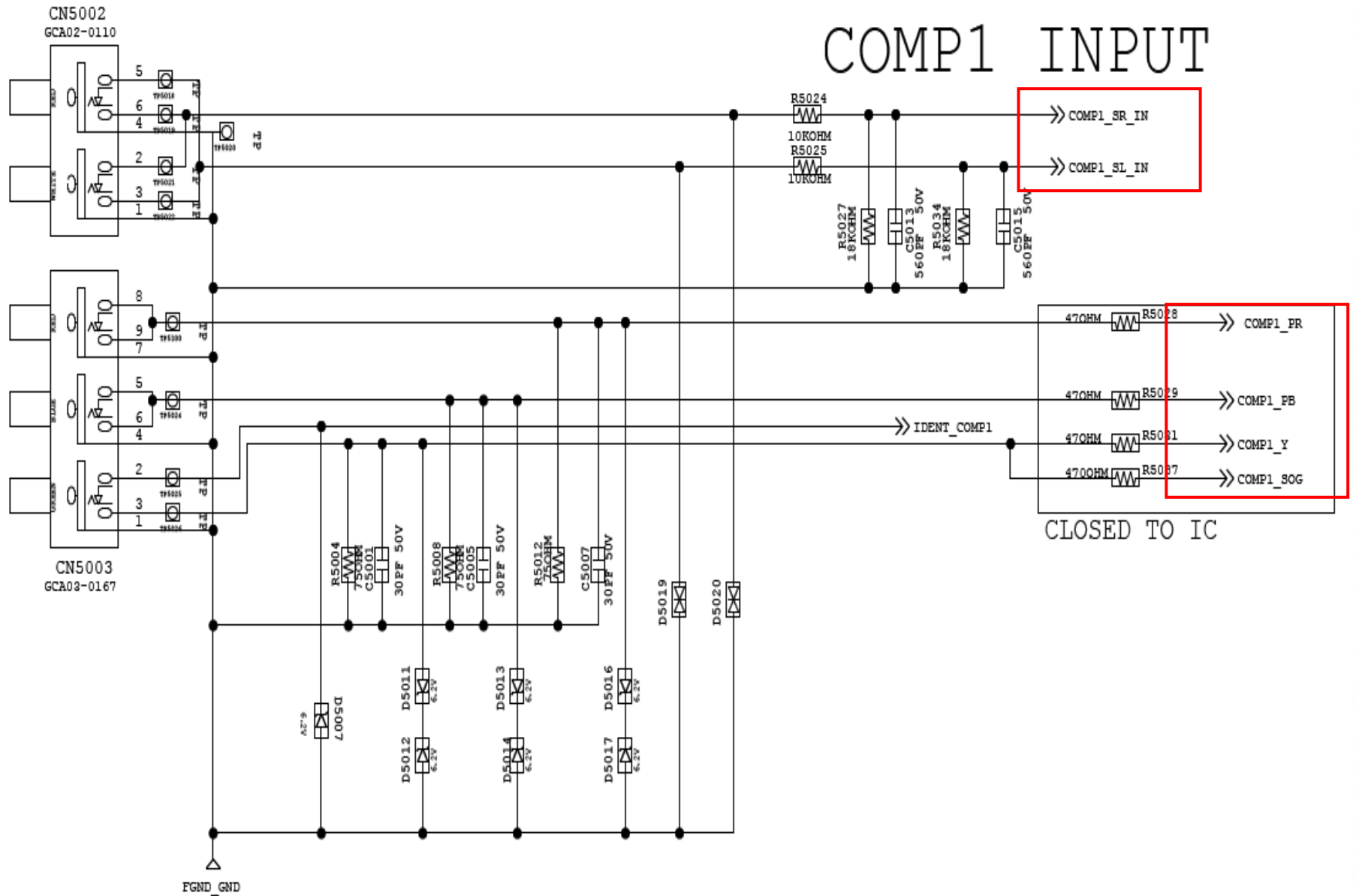


# 4. Signal Flows Information

## TUNER

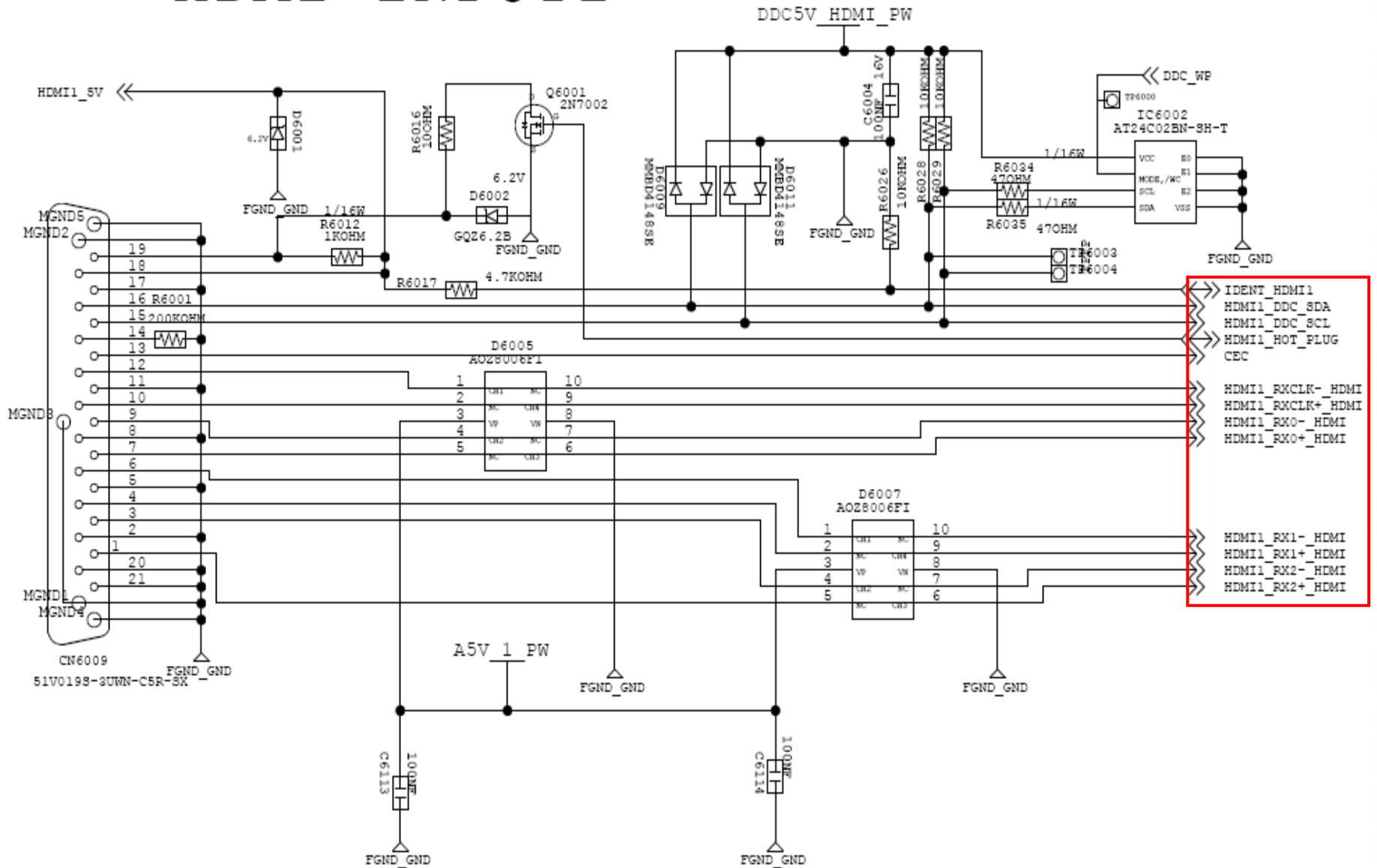


# 4. Signal Flows Information



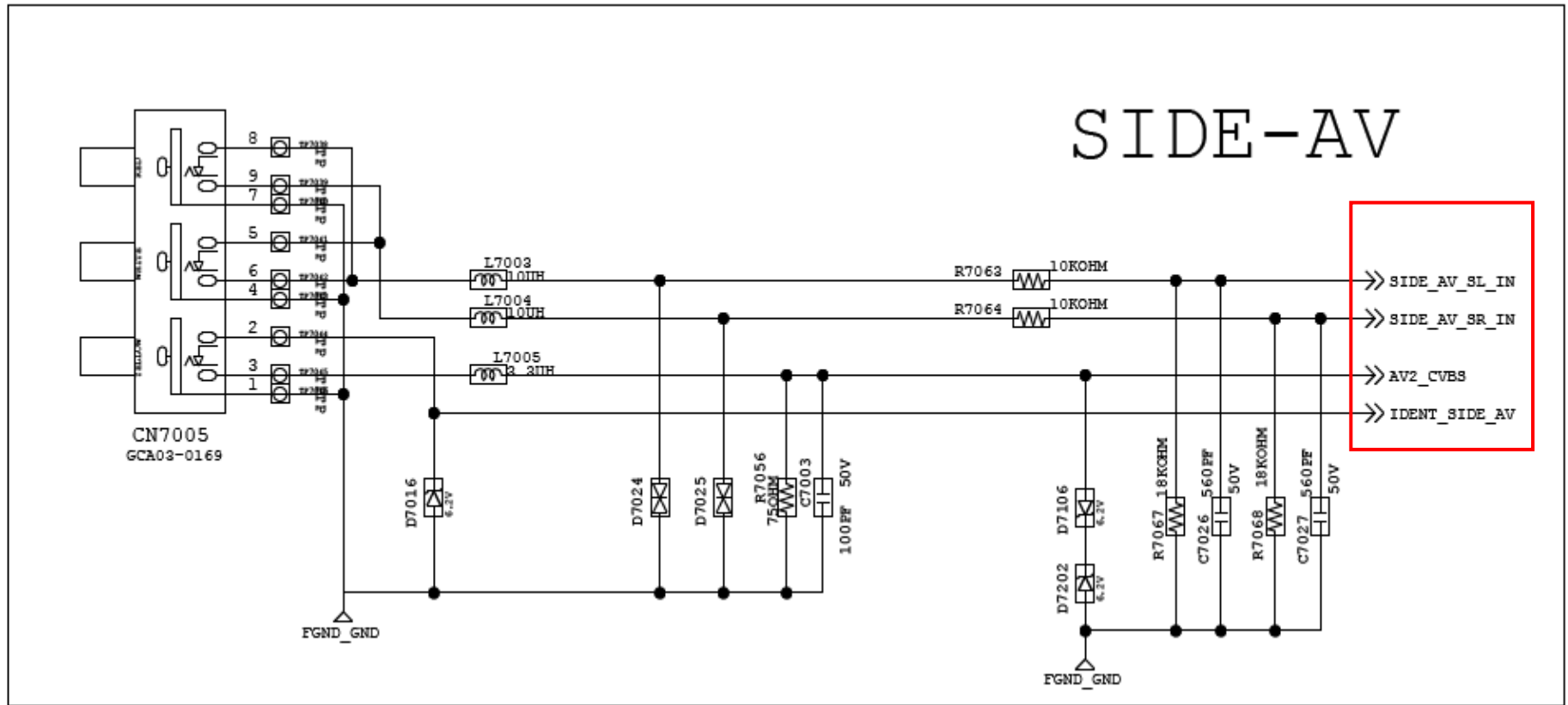
# 4. Signal Flows Information

## HDMI INPUT1

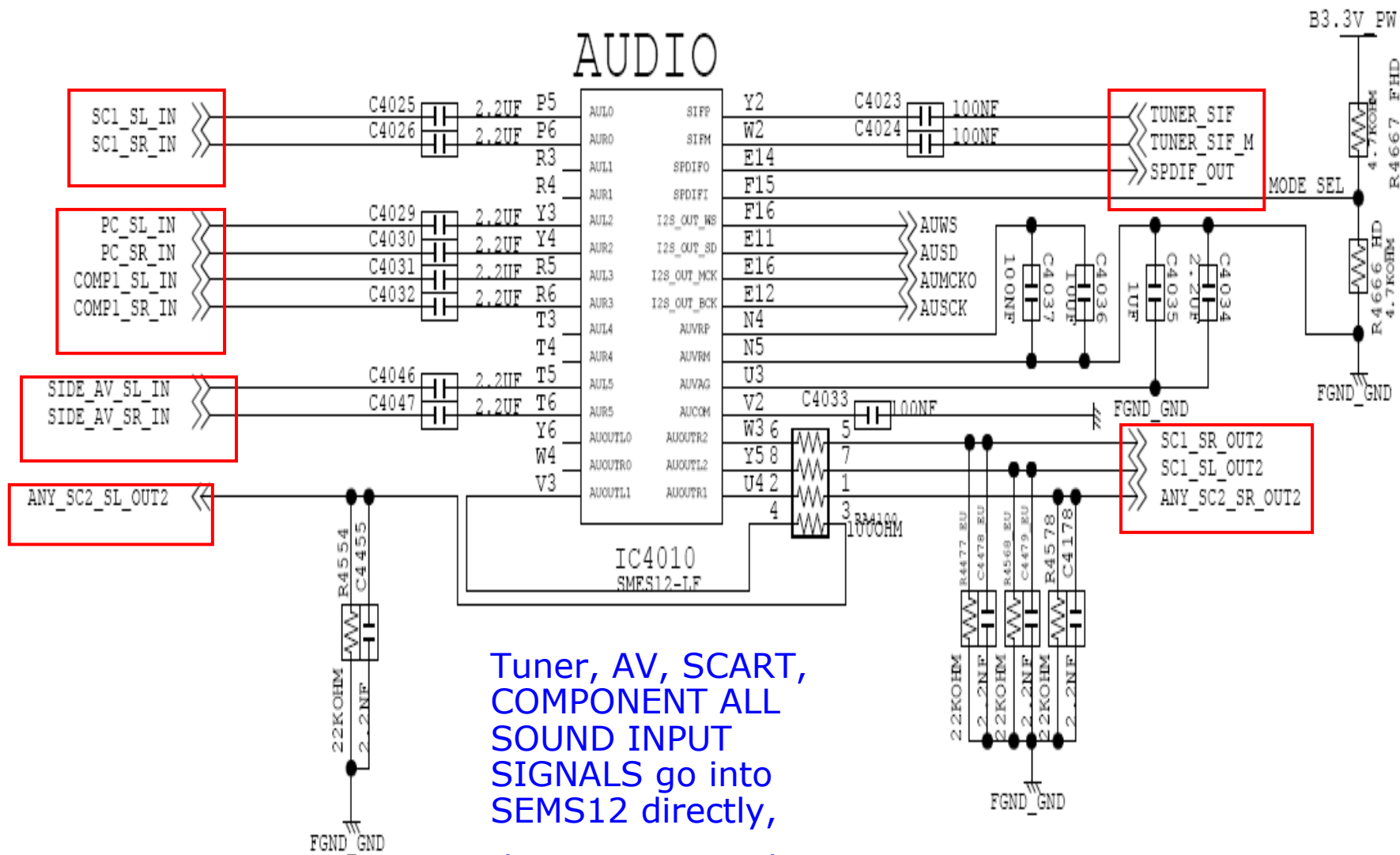




# 4. Signal Flows Information



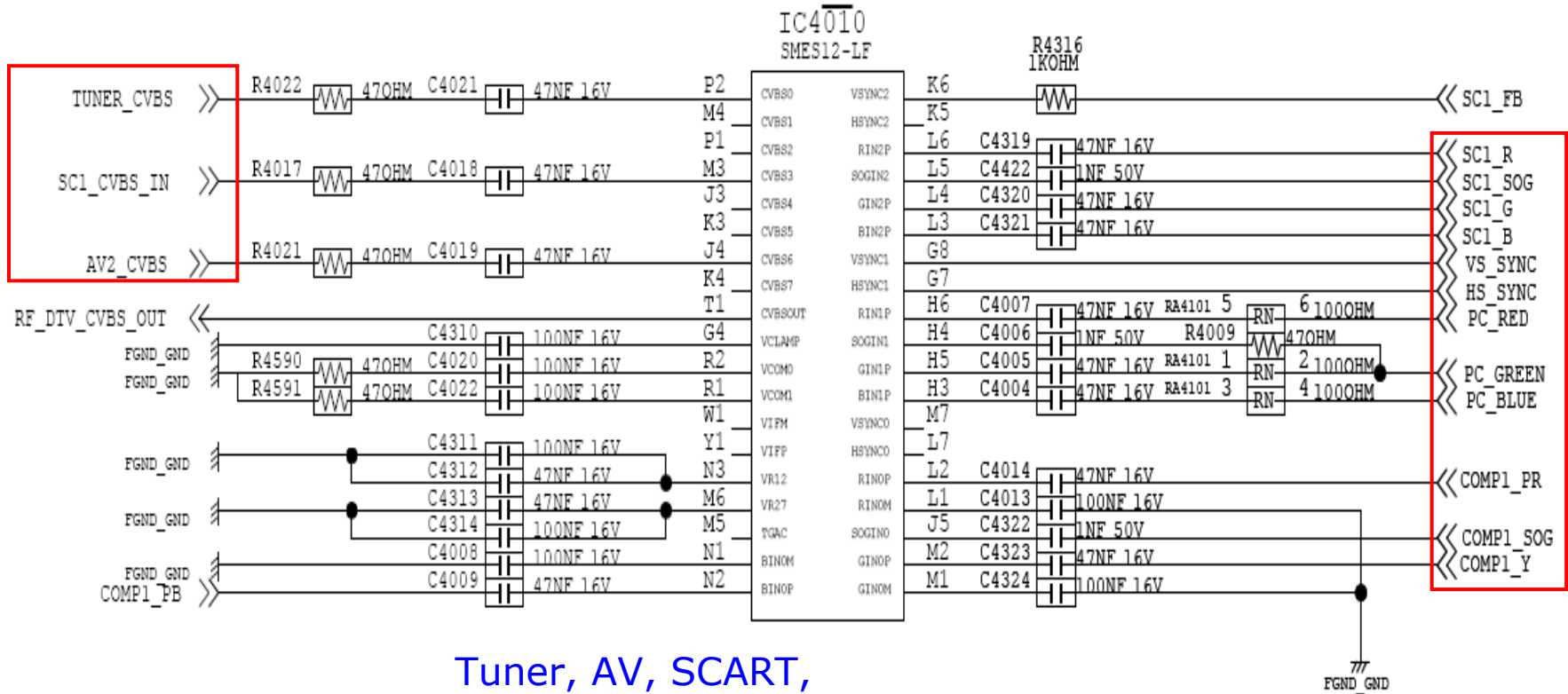
# 4. Signal Flows Information



Tuner, AV, SCART,  
COMPONENT ALL  
SOUND INPUT  
SIGNALS go into  
SEMS12 directly,  
there is no switch.

# 4. Signal Flows Information

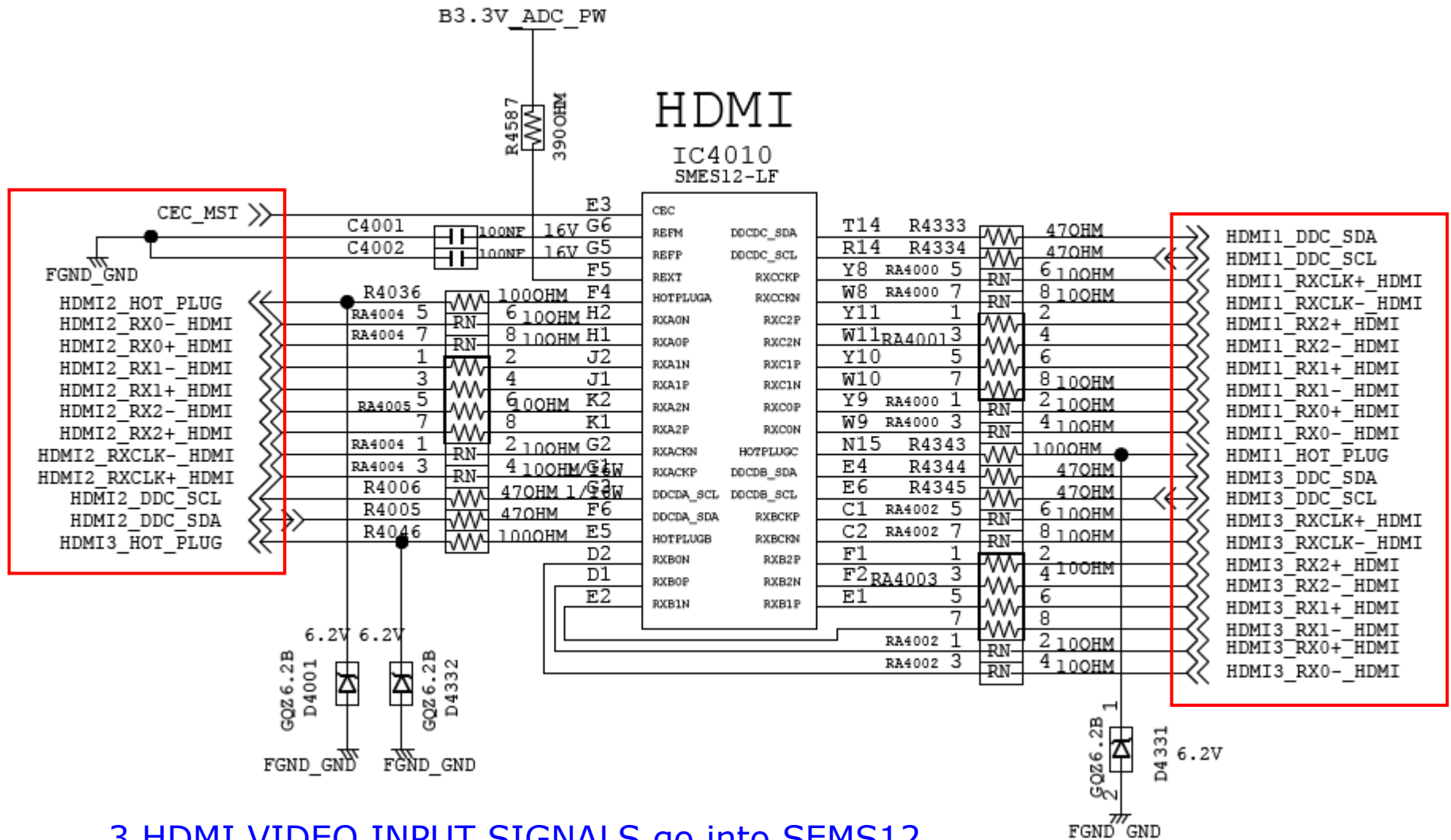
## CVBS RGB



Tuner, AV, SCART,  
COMPONENT ALL  
VIDEO INPUT  
SIGNALS go into  
SEMS12 directly,  
there is no switch.

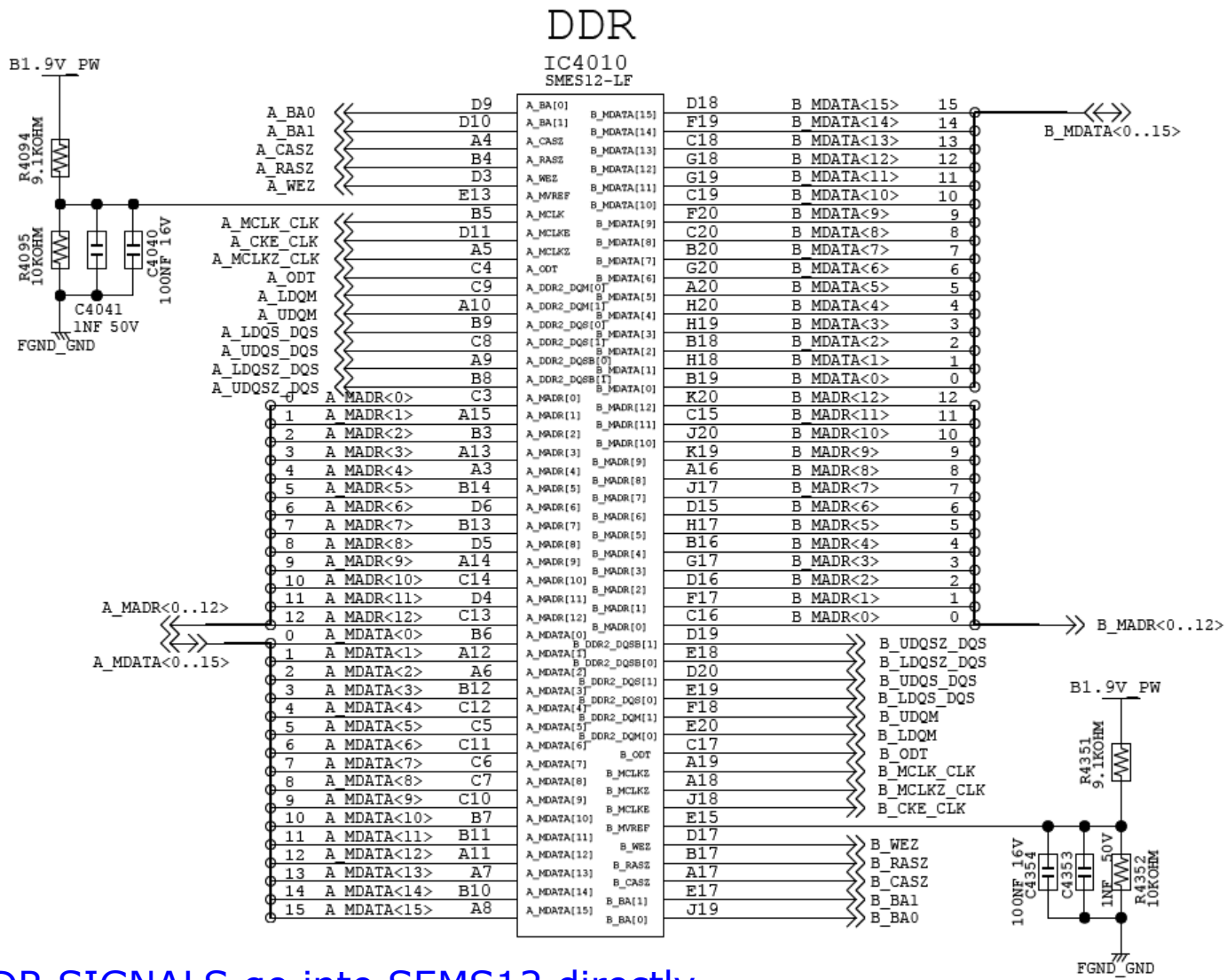


# 4. Signal Flows Information



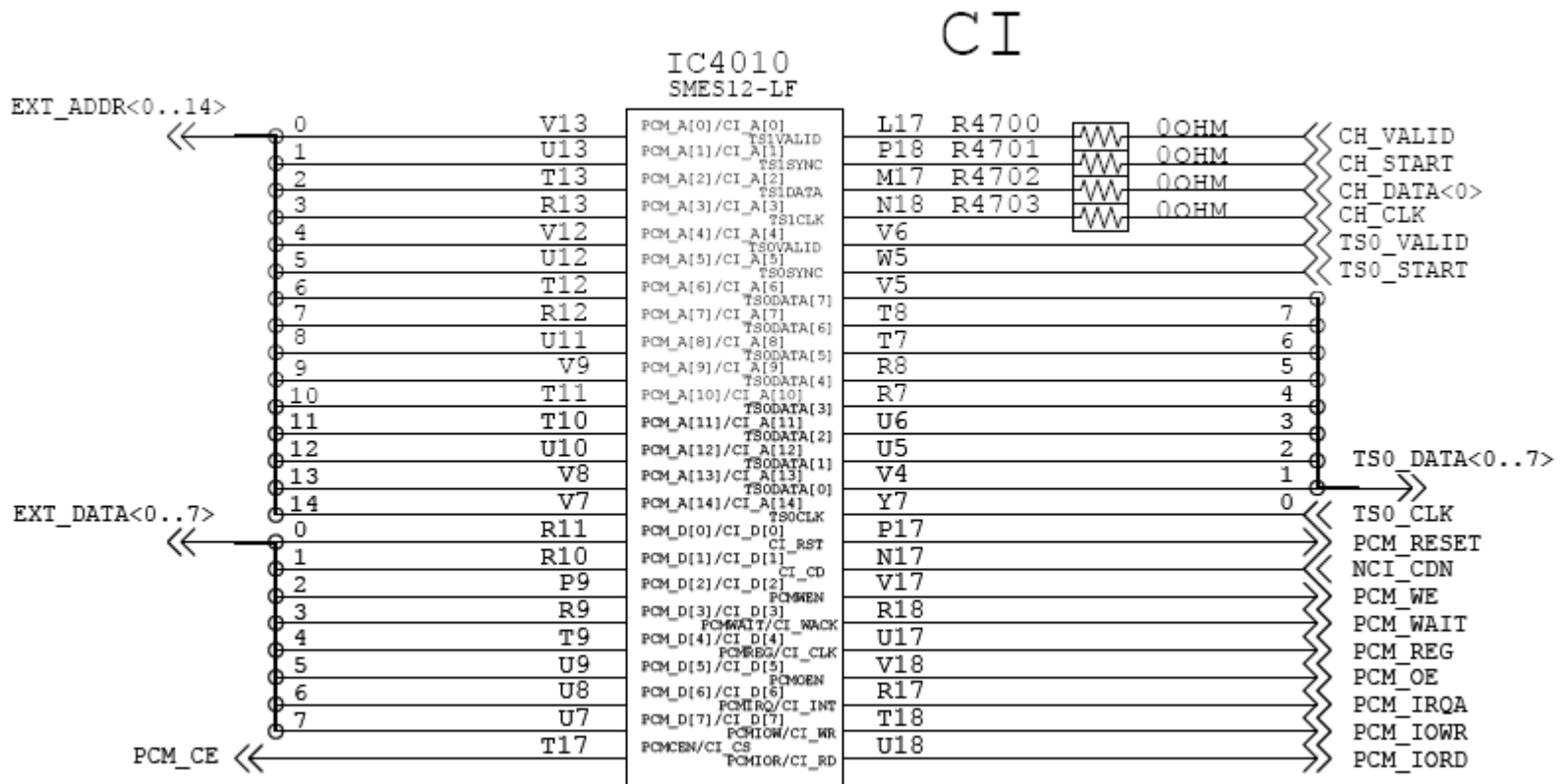
3 HDMI VIDEO INPUT SIGNALS go into SEMS12 directly, there is no switch.

# 4. Signal Flows Information



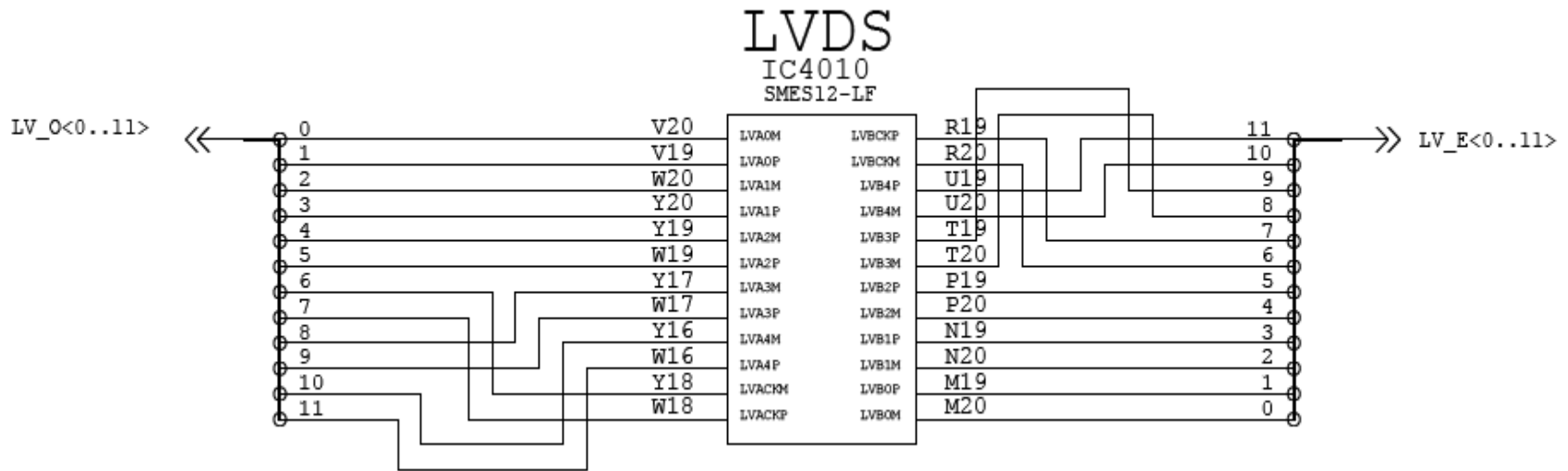
DDR SIGNALS go into SEMS12 directly

# 4. Signal Flows Information



CI SIGNALS go into SEMS12 directly

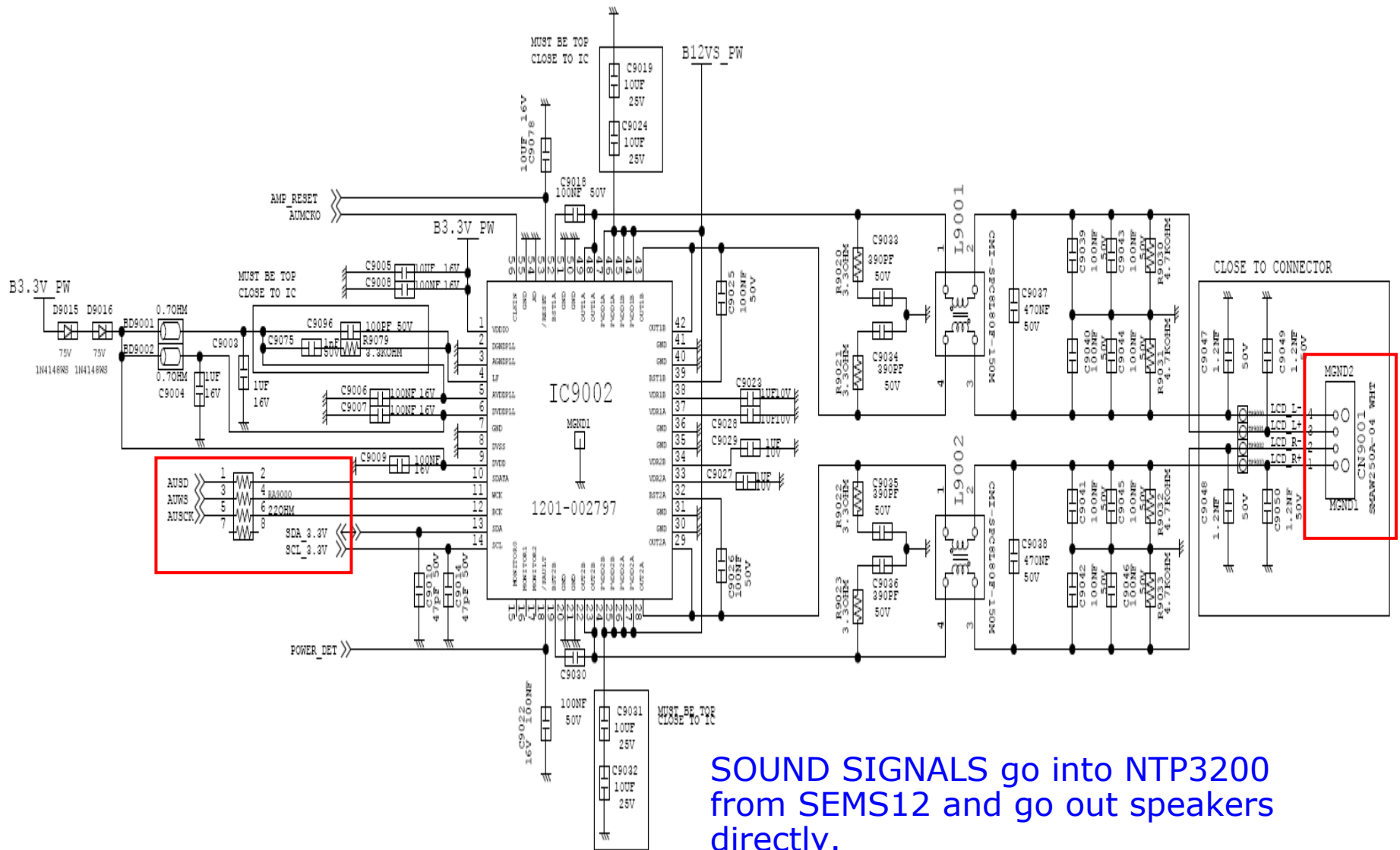
# 4. Signal Flows Information



LVDS SIGNALS go into TCON BD directly

# 4. Signal Flows Information

## SOUND AMP



SOUND SIGNALS go into NTP3200 from SEMS12 and go out speakers directly.