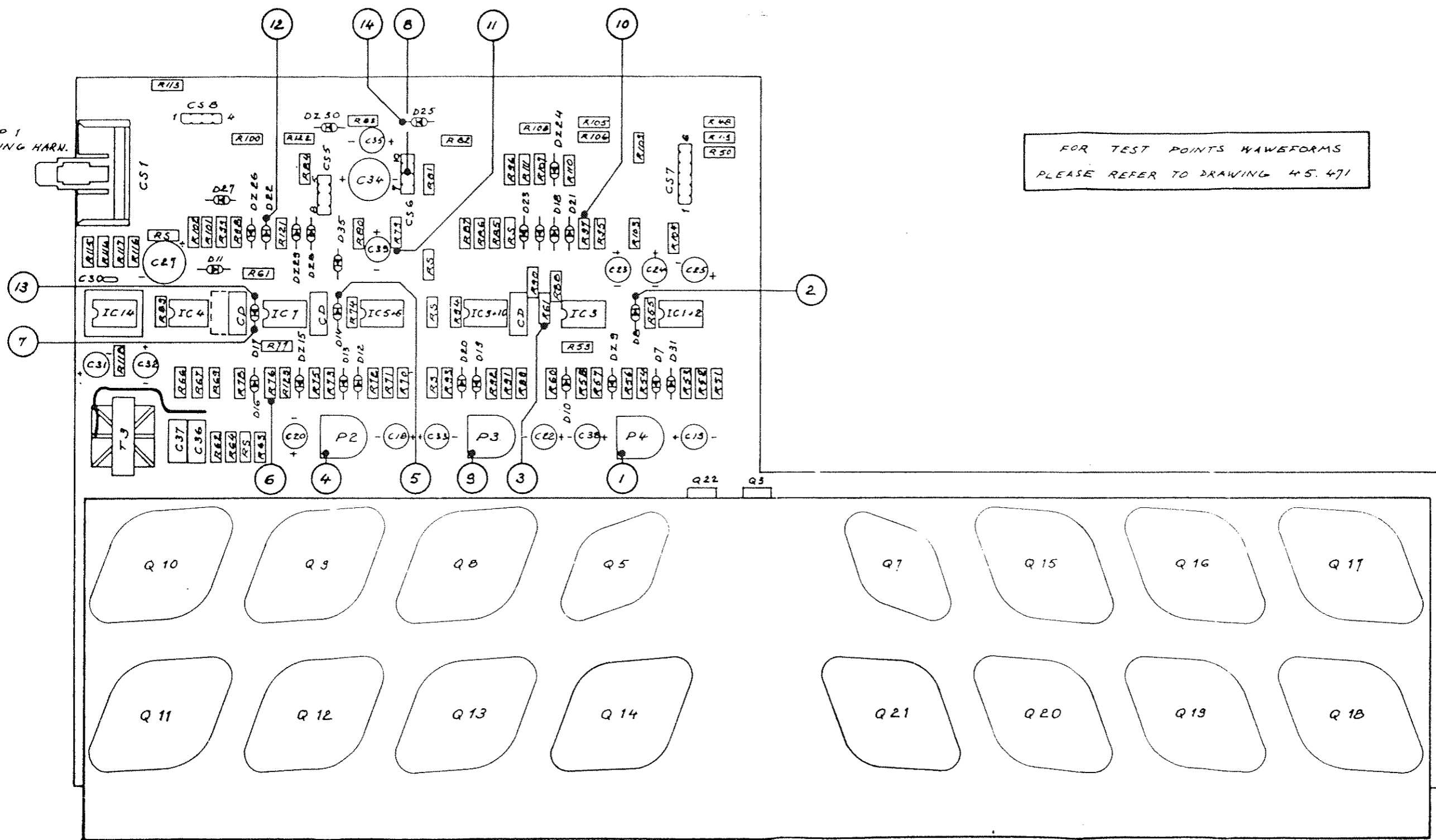
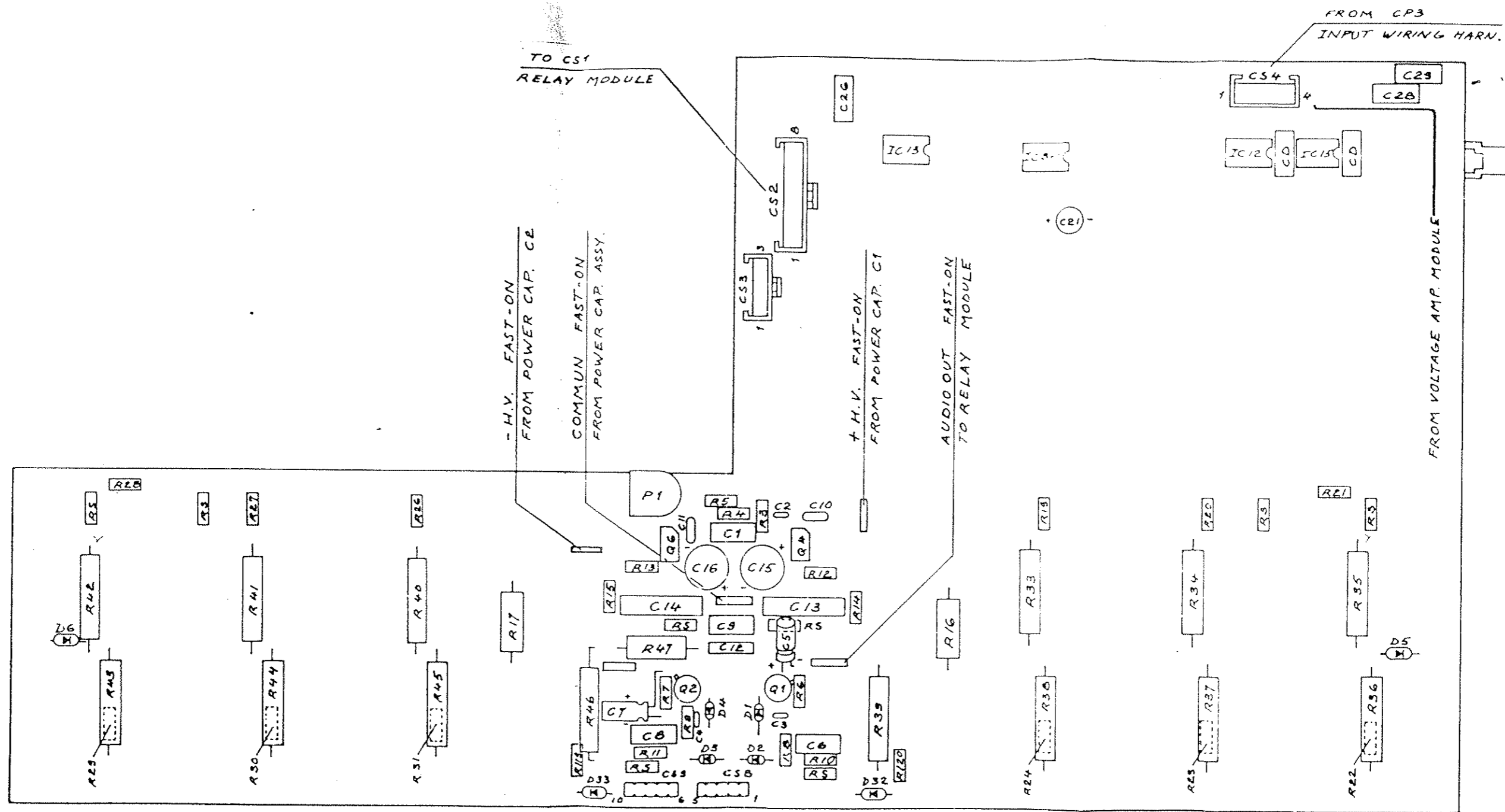


FROM CP 1  
INPUT WIRING HARN.



FOR TEST POINTS WAVEFORMS  
PLEASE REFER TO DRAWING 45.471

E.A.A. 4, PLACE DE LA MAIRIE, 91.620 NOZAY - FRANCE -		TOUS DROITS DE REPRODUCTION RESERVES	
UPPER ASSY	DATE		
SQUARE 1000.	Oct. 15/14 85		
POWER AMP. LEFT CHANN.			35.454

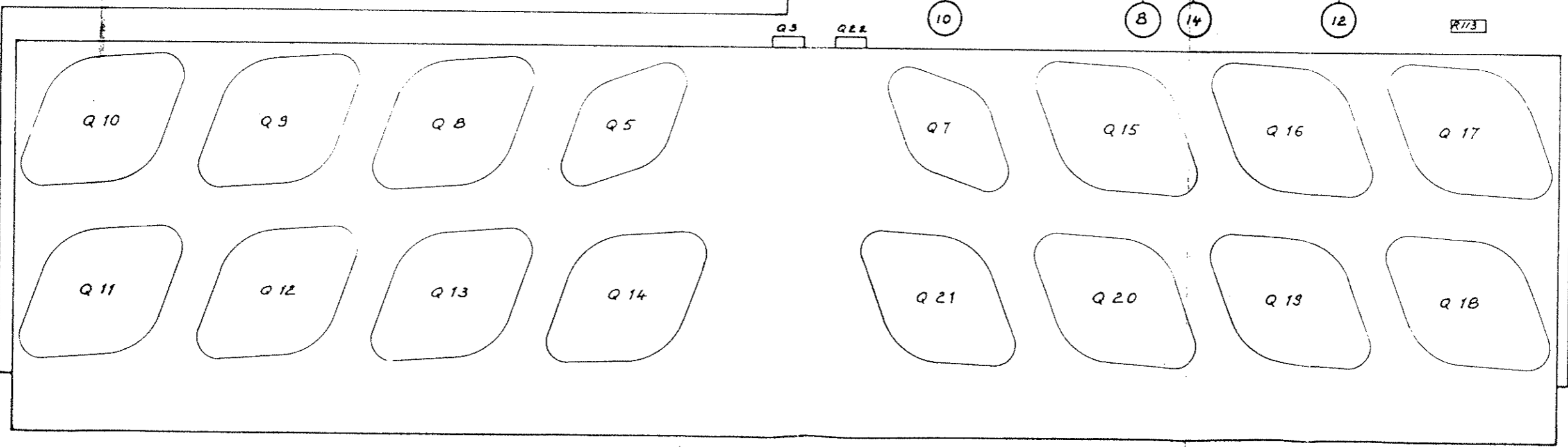
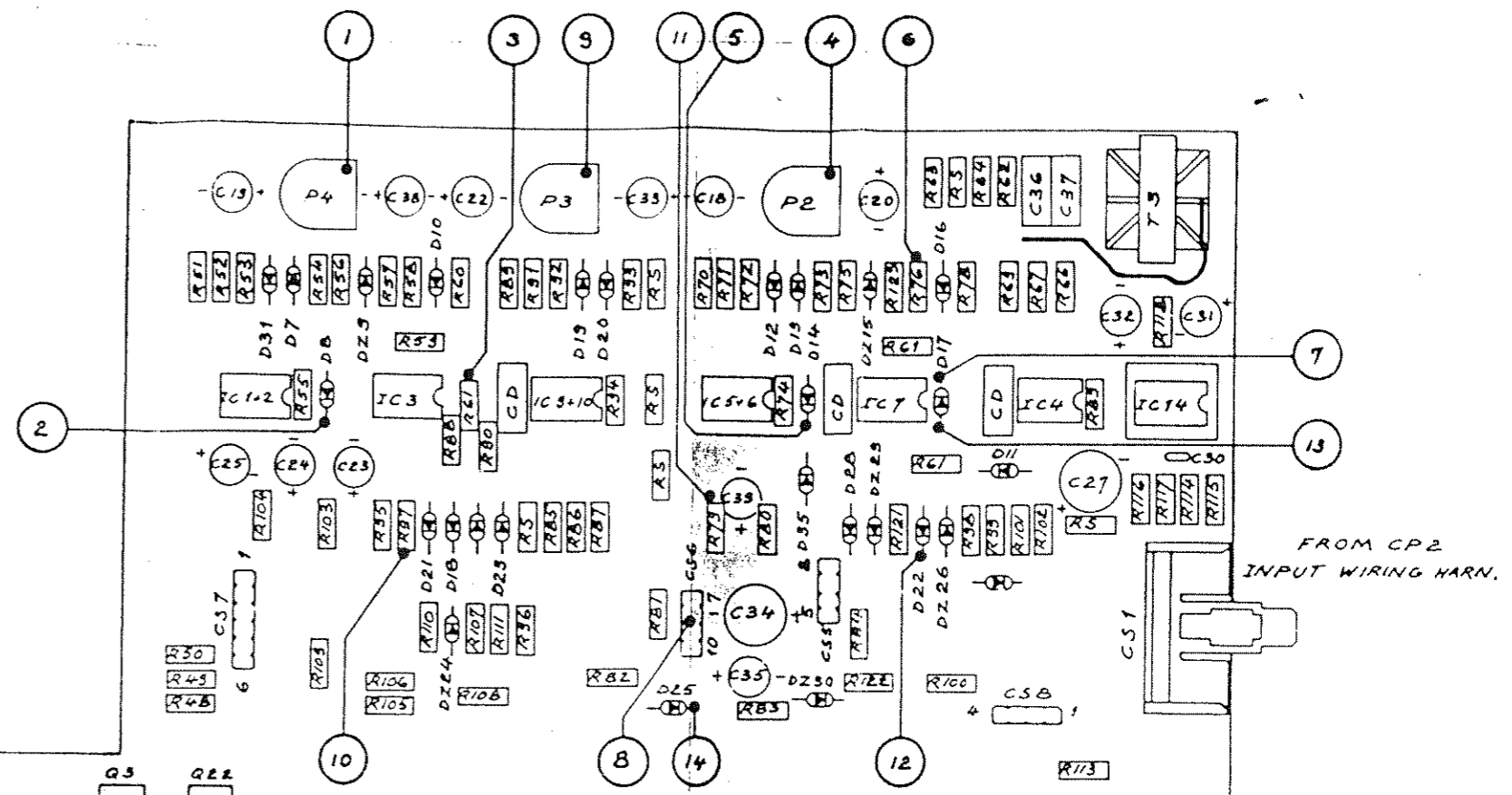


E.A.A. 4, PLACE DE LA MAIRIE, 91.620 NOZAY - FRANCE - TOUS DROITS DE REPRODUCTION RESERVES

UPPER ASSY. . SQUARE 1000. DATE Oct. 10th 85

POWER AMP. LEFT CHANNEL 35.455

FOR TEST POINTS WAVEFORMS  
PLEASE REFER TO DRAWING 45.471



E.A.A. 4, PLACE DE LA MAIRIE, 91620 NOZAY - FRANCE -		TOUS DROITS DE REPRODUCTION RESERVES	
UPPER ASSY	. SQUARE 1000.	DATE	Oct. 18th. 85
POWER AMP. RIGHT CHANN.			35.458