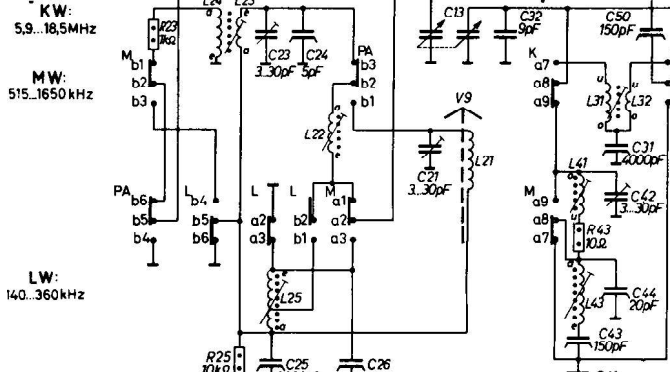
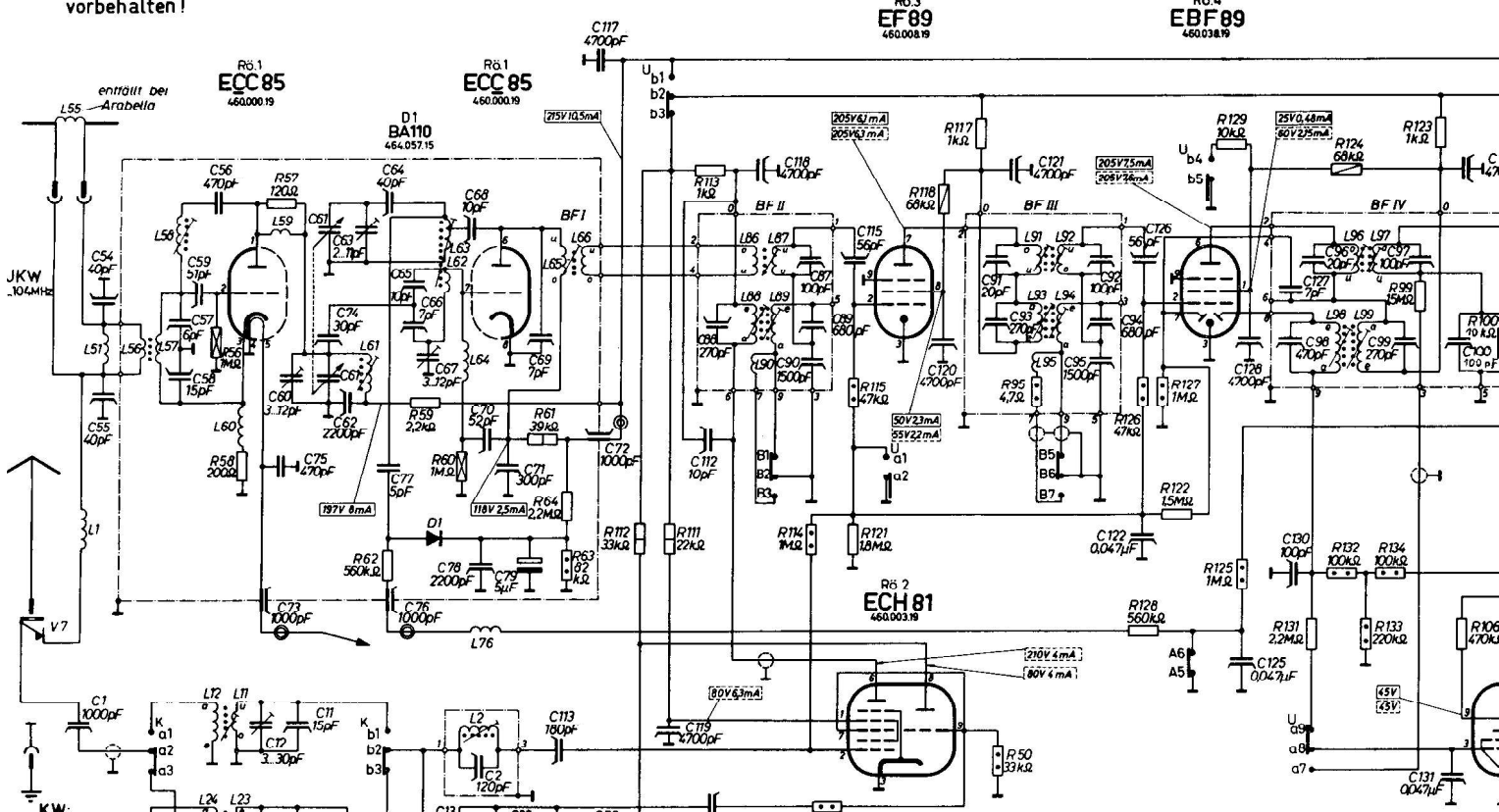
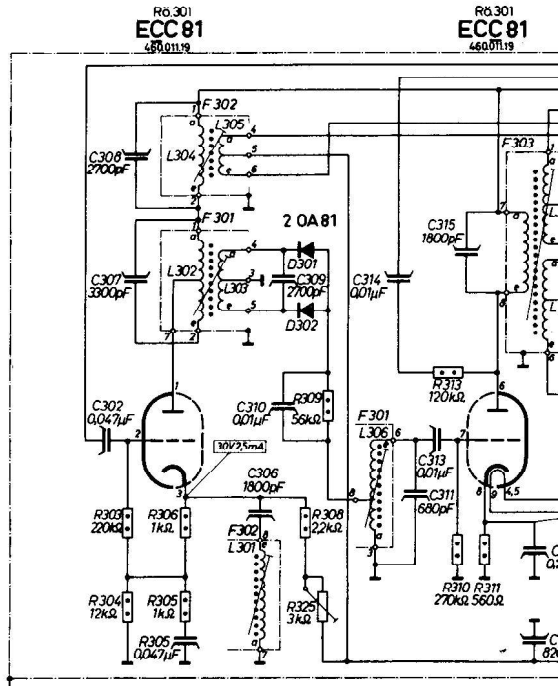
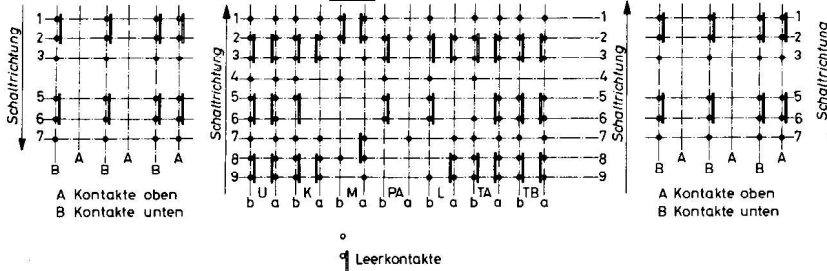


Konstruktionsänderungen vorbehalten!



Gezeichnete Tastenstellung: MW gedrückt

Jazz Solo UKW-Autohörn (KI-Funkung AM) UKW K V8 M PA L TA TB AUS Sprache Bass Stereo



AM-Eingang					AM-Spulensatz																				FM-Eingang														
1	2	3	4	5	11	12	13	14	15	21	22	23	24	25	26	27	31	32	33	41	42	43	44	45	46	47	48	49	50	51	52	53	54	55	56	57	58	59	60
C	1000pF	120pF			15pF	3.30pF	Dmkh			1.80pF	50pF	2000pF	13pF		4000pF	9pF				430pF	3.30pF	150pF	20pF		51pF	150pF		40pF	40pF	40pF	6pF	15pF	51pF		3.1pF	125pF			
R	KI 500	KS 63			KI 125	KI 125	446028			KI 125	KS 63	KI 125			KI 125	5500				KI 125	447023	KI 125			10kΩ	33kΩ		1MΩ	10kΩ	10kΩ	27kΩ	10kΩ	27kΩ		27kΩ	10kΩ	10kΩ		
L	423004	424265			423277	423277				423057	423051	423219	423278	423205			423278	423278			423234			423272												423000			

Mag. Band und NF-Spulen																																										
86	87	88	89	90	91	92	93	94	95	96	97	98	99	100	101	102	103	104	105	106	107	108	109	110	111	112	113	114	115	116	117	118	119	120	121	122	123	124	125			
C	1000pF	270pF	680pF	1500pF	100pF	100pF	270pF	680pF	1500pF	20pF	100pF	470pF	270pF	270pF	270pF	270pF	270pF	270pF	270pF	270pF	270pF	270pF	270pF	270pF	270pF	10pF	10pF	10pF	10pF	10pF	10pF	10pF	10pF	10pF	10pF	10pF	10pF	10pF	10pF	10pF	10pF	
R	KI 125	KI 125	KI 125	KI 125	KI 125	KI 125	KI 125	KI 125	KI 125																																	
L	423408	423408	423418	423418	423418	423421	423421	423421	423421	423421	423421	423421	423421	423421	423436	423436	423436				423000	423000	423000	423000	423000	423000																

NF am Lautstärkeregler												NF-Ausgang								TA-TB-Anschluß								Netz-Anschluß														
160	161	162	163	164	165	166	167	168	169	170	171	172	173	174	175	176	177	178	179	180	181	182	183	184	185	186	187	191	192	193	194	196	197	198	199	200	201	202	202C			
C	0.01µF	100pF	200pF	200pF	0.033µF	0.01µF	0.01µF	0.01µF	0.01µF	0.01µF	0.01µF	0.01µF	0.01µF	0.01µF	0.01µF	0.01µF	0.01µF	0.01µF	0.01µF	0.01µF	0.01µF	0.01µF	0.01µF	0.01µF	0.01µF	0.01µF	0.01µF	0.01µF	0.01µF	0.01µF	0.01µF	0.01µF	0.01µF	0.01µF	0.01µF	0.01µF	0.01µF	0.01µF	0.01µF	0.01µF		
R	27kΩ	27kΩ	27kΩ	27kΩ	27kΩ	27kΩ	27kΩ	27kΩ	27kΩ	27kΩ	27kΩ	27kΩ	27kΩ	27kΩ	27kΩ	27kΩ	27kΩ	27kΩ	27kΩ	27kΩ	27kΩ	27kΩ	27kΩ	27kΩ	27kΩ	27kΩ	27kΩ	27kΩ	27kΩ	27kΩ	27kΩ	27kΩ	27kΩ	27kΩ	27kΩ	27kΩ	27kΩ	27kΩ	27kΩ	27kΩ	27kΩ	
L																																										

Stereo																																											
224	225	226	227	231	232	233	234	235	236	237	238	239	240	241	242	243	244	245	246	247	248	249	250	251	252	253	254	255	256	257	301	302	303	304	305	306	307	308	308C				
C	0.01µF	100pF	100pF	100pF	0.01µF	100pF	100pF	100pF	0.01µF	100pF	100pF	100pF	100pF	100pF	100pF	100pF	100pF	100pF	100pF	100pF	100pF	100pF	100pF	100pF	100pF	100pF	100pF	100pF	100pF	100pF	100pF	100pF	100pF	100pF	100pF	100pF	100pF	100pF	100pF	100pF	100pF		
R	27kΩ	27kΩ	27kΩ	27kΩ	27kΩ	27kΩ	27kΩ	27kΩ	27kΩ	27kΩ	27kΩ	27kΩ	27kΩ	27kΩ	27kΩ	27kΩ	27kΩ	27kΩ	27kΩ	27kΩ	27kΩ	27kΩ	27kΩ	27kΩ	27kΩ	27kΩ	27kΩ	27kΩ	27kΩ	27kΩ	27kΩ	27kΩ	27kΩ	27kΩ	27kΩ	27kΩ	27kΩ	27kΩ	27kΩ	27kΩ	27kΩ	27kΩ	
L																																											

KS, (KI) = Kunststoffkondensator, Py, (MKT) = Polyester-Kondensator, Pp = Papier-Kondensator.
Bei Kondensatoren: D, P, R u. S = Keramik-Durchführungs-Keramik-Perl-, Keramik-Rohr u. Keramik-Scheiben-Kondensator. Angegebene Spannungen u. Ströme [MW] u. [UKW] gemessen mit Instrument 50000Ω.