

**SCHEMATIC DIAGRAM
AND
PARTS LIST**

BK PRECISION

530

SEMICONDUCTOR TESTER

PARTS LIST

488-195-9-003B

B & K-PRECISION
PART NO.

SCHEMATIC
SYMBOL

DESCRIPTION

RESISTORS & CONTROLS

R85	9.1K Ω , $\pm 2\%$, $\frac{1}{4}W$, Deposited Carbon	002-039-9-001
R79	13K Ω , $\pm 2\%$, $\frac{1}{4}W$, Deposited Carbon	002-040-9-001
R83, 81	18K Ω , $\pm 2\%$, $\frac{1}{4}W$, Deposited Carbon	002-041-9-001
R121	100K Ω , $\pm 20\%$, $\frac{1}{4}W$, Horizontal Mount Linear Trimpot	008-216-9-001
R101, 55	50K Ω , $\pm 20\%$, $\frac{1}{4}W$, Horizontal Mount Linear Trimpot	008-224-9-001
R22, 87	10K Ω , $\pm 20\%$, $\frac{1}{4}W$, Horizontal Mount Linear Trimpot	008-241-9-001
R72	30K Ω , $\pm 10\%$, $\frac{1}{4}W$, Linear Carbon Pot	008-301-9-001
R92, 106	500K Ω , $\pm 20\%$, $\frac{1}{4}W$, Horizontal Mount Linear Trimpot	008-286-9-001
R56, 59	2K Ω , $\pm 20\%$, $\frac{1}{4}W$, Horizontal Mount Linear Trimpot	008-287-9-001
R103, 58	1K Ω , $\pm 20\%$, $\frac{1}{4}W$, Horizontal Mount Linear Trimpot	008-289-9-001

CAPACITORS

C44	10 μf @ 250VDC Electrolytic	021-040-9-001
C42	100 μf @ 10VDC Electrolytic	022-050-9-001
C38, 39, 40, 41	1000 μf @ 25VDC Electrolytic	022-084-9-001
C20, 25	47 μf @ 6.3VDC Tantalum	027-013-9-001
C47, 49, 50	.01 μf @ 250VDC Polyester	025-027-9-001
C56, 46	.047 μf @ 250V Polyester	025-096-9-001
C43	.1 μf @ 100V Polyester	025-120-9-001
C57	.0015 μf @ 360V Polyester	025-035-9-001

COILS

L1	Oscillator, 1 MHz	044-035-9-001
L2	Oscillator, 10 MHz	044-036-9-001
L3	Oscillator, 30 MHz	044-038-9-001

MODEL 530 PARTS LIST

SCHEMATIC SYMBOL	DESCRIPTION	B & K-PRECISION PART NO.
D14, 15, 16, 17, 24, 25	IN695, Germanium Diode	150-007-9-001
D19, 20, 21, 22, 23, 31, 33, 34, 35, 1, 2, 3, 13, 18, 32	IN4148, Silicon Diode	151-038-9-001
D4, 5, 6, 7, 10, 11, 27, 28, 30	Rectifier Diode	151-050-9-001
D9, 10	5.1V, ±5%, 1W Zener Diode	152-030-9-001
D12, 26	12V, ±5%, 1W Zener Diode	152-039-9-001
Q9, 10, 11, 12	2N5550 NPN Transistor	176-033-9-001
Q4, 5	MPS 2369 NPN Transistor	176-049-9-001
Q1, 2, 3, 14, 17, 18, 19, 22, 24, 29	MPS 6515 NPN Transistor	176-050-9-001
Q13, 20, 21, 23, 25, 26, 27, 28, 16	MPS 6519 PNP Transistor	177-015-9-001
Q15	SPS-2306 NPN Transistor	176-023-9-001

DIODES AND TRANSISTORS

INTEGRATED CIRCUITS

IC1, IC6, IC9, IC10	LM324, Quad OP-Amp	307-060-9-001
IC3	4013, Dual D Flip-Flop	307-062-9-001
IC2, IC4, IC7, IC8	4011, Quad 2 Input Nand Gate	307-063-9-001
IC5	4023, Triple 3 Input Nand Gate	307-070-9-001

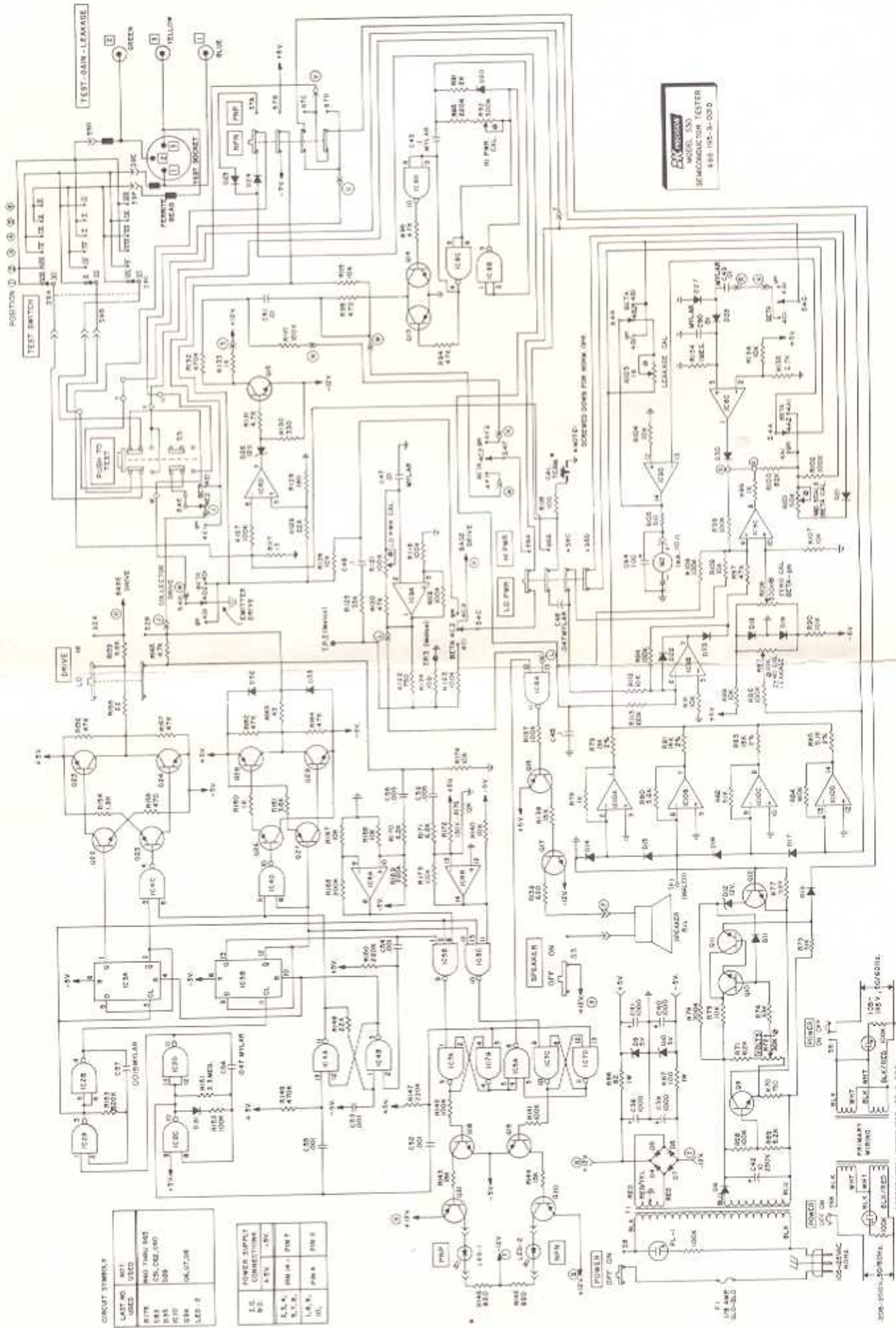
SWITCHES

S9	Lead Identification, Lever	080-002-9-001
S4	Spring Return, Rotary	083-195-9-001
S1	fr Range, MHz	083-205-9-001
S3	SPDT, Slide (Speaker ON/OFF)	084-001-9-001
S8	DPDT, Slide (Power ON/OFF)	084-001-9-003
S2	DPDT, PC Slide, (Drive LO/HI)	084-043-9-001
S6	4PDT, PC Slide (NPN/PNP)	084-045-9-001
S7	4PDT, PC Slide Lo Pwr/Ht Pwr	
S5	Momentary 4-Pole, Push-Button	088-029-9-001

MODEL 530 PARTS LIST

SCHEMATIC SYMBOL	DESCRIPTION	B & K-PRECISION PART NO.
LED-1, LED-2	Red LED, NPN/N-CH, PNP/P-CH	158-012-9-001
PL-1	Neon Lamp W/100KΩ Resistor	401-061-9-002
INDICATOR LAMPS		
MISCELLANEOUS		
F1	Fuse, 1/8 Amp, 250V, Slo-Blow Pictorial	193-011-9-001
T1	Power Transformer, 105-125V, 60Hz	065-118-9-001
T1	Power Transformer, 105-125/210-250V, 50/60Hz	065-129-9-001
M1	fr Meter	321-076-9-001
M2	Beta, Leakage, 5m Meter	320-077-9-001
SPKR-1	2" Speaker, 8Ω	580-005-9-001
	Lever Switch Knob	751-118-9-001
	Skirted Knob with Pointer	751-133-9-001
	Skirted Bar Knob with Pointer	751-161-9-001
	Switch Button, Black	384-019-9-001
	Glamor Caps	384-015-9-001
	Test Lead Cable Assembly	523-135-9-001
	Transistor Socket	762-015-9-001
	Blue Banana Jack	774-001-9-003
	Green Banana Jack	774-001-9-004
	Yellow Banana Jack	774-001-9-006
	Line Cord (for 105-125V, 60Hz units)	420-010-9-001
	Line Cord (for 105-125/210-250V, 50/60Hz units)	420-035-9-001
	Ferrite Core	870-002-9-001
	Terminal Strip	345-026-9-001
	Transistor Plug Assembly	523-178-9-001

NOTE: Standard value resistors and capacitors are not listed. Values may be obtained from schematic diagram. Minimum charge \$5.00 per invoice. Orders will be shipped C.O.D. unless previous open account arrangements have been made or remittance accompanies order. Advance remittance must cover postage or express charges. Specify serial number when ordering replacement parts.



ETC 5550
 SEMICONDUCTOR TESTER
 488-145-3-003D

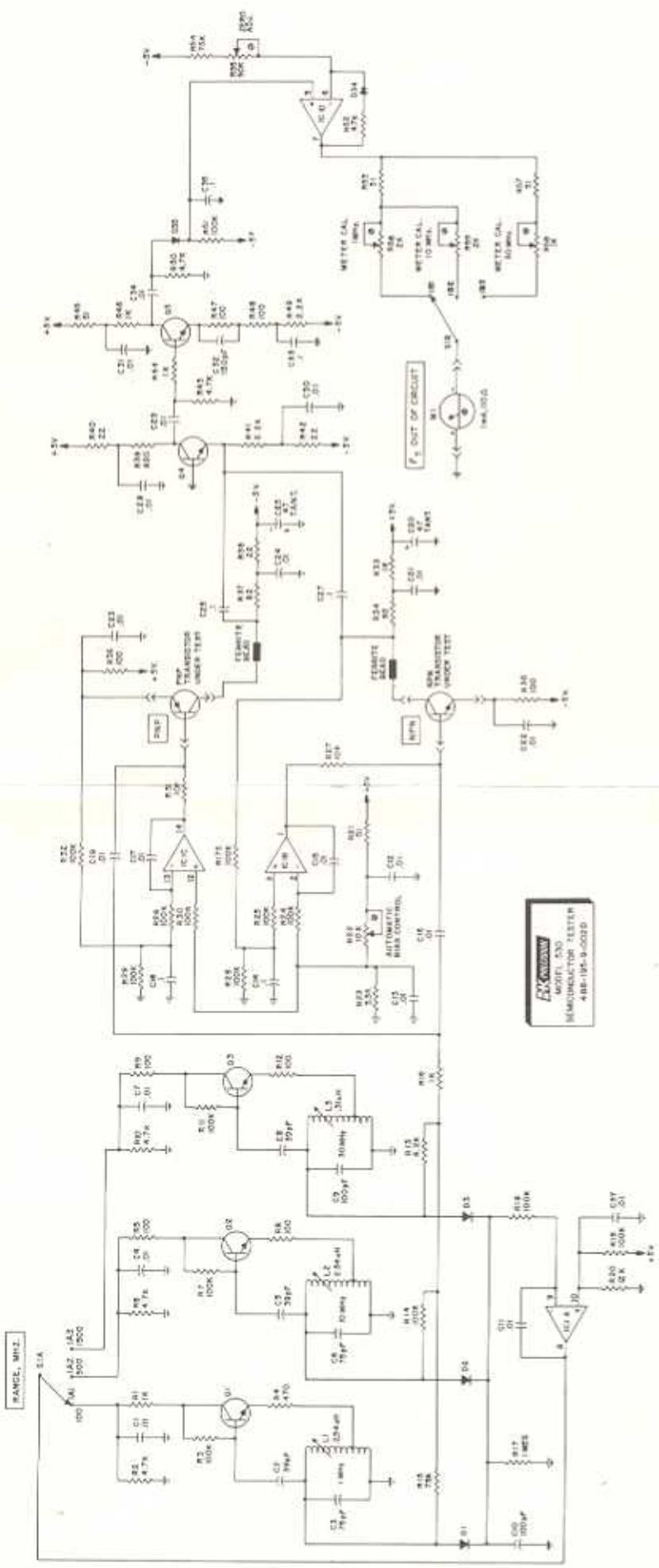
CIRCUIT SYMBOLS

LAST NO. USED	WTR.
1178	PHO TRAIL/001
1179	CHL/001/040
1180	000
1181	0A/07/20
1182	LED-E

POWER SUPPLY COMPONENTS

P.C.	Q.C.	Q.N.	Q.V.
5, 5, 4	000-4	PH 8	PH 5
1, 8, 5	PH 8	PH 5	PH 5
10, 1	PH 8	PH 5	PH 5

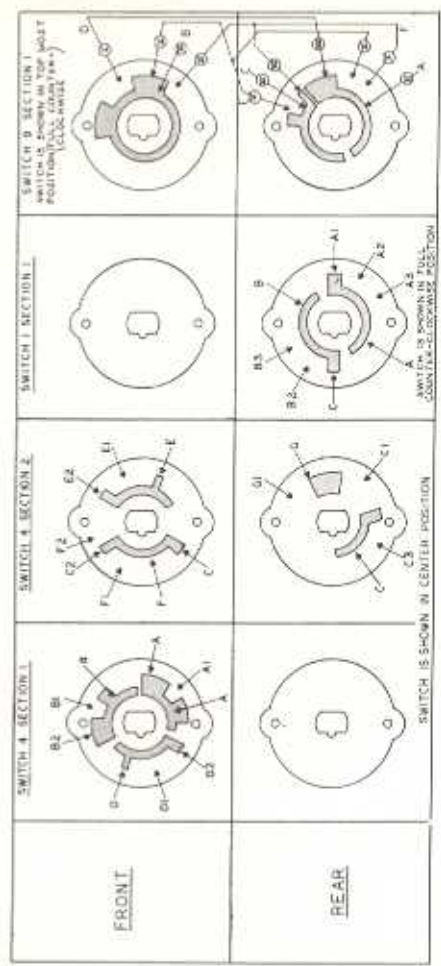
308-5001-30802L
 REPORT MFG. WORK (085)-28-8-1001



FLUORINOL
 HIGH-PRECISION
 SEMI-CONDUCTOR TESTER
 480-105-9-0000

METER - DIMENSIONAL SPECIFICATIONS
 ALL RESISTORS ARE 1% TOL. UNLESS SHOWN
 ALL CAPACITORS HAVE 5% TOLERANCE
 TITLES IN RECTANGULAR BUBBLES ARE PANEL CONTROLS
 SCHEMATIC SUBJECT TO CHANGE WITHOUT NOTICE.
 ⊕ - COMMON GROUND
 ⊕ - COMMON GROUND

SWITCH POSITION	NOT TYPICAL FOR WINDOW
1	
2	
3	
4	
5	
6	



SWITCH 9 IS SHOWN IN CENTER POSITION
 SWITCH 4 IS SHOWN IN SECTION 2 POSITION