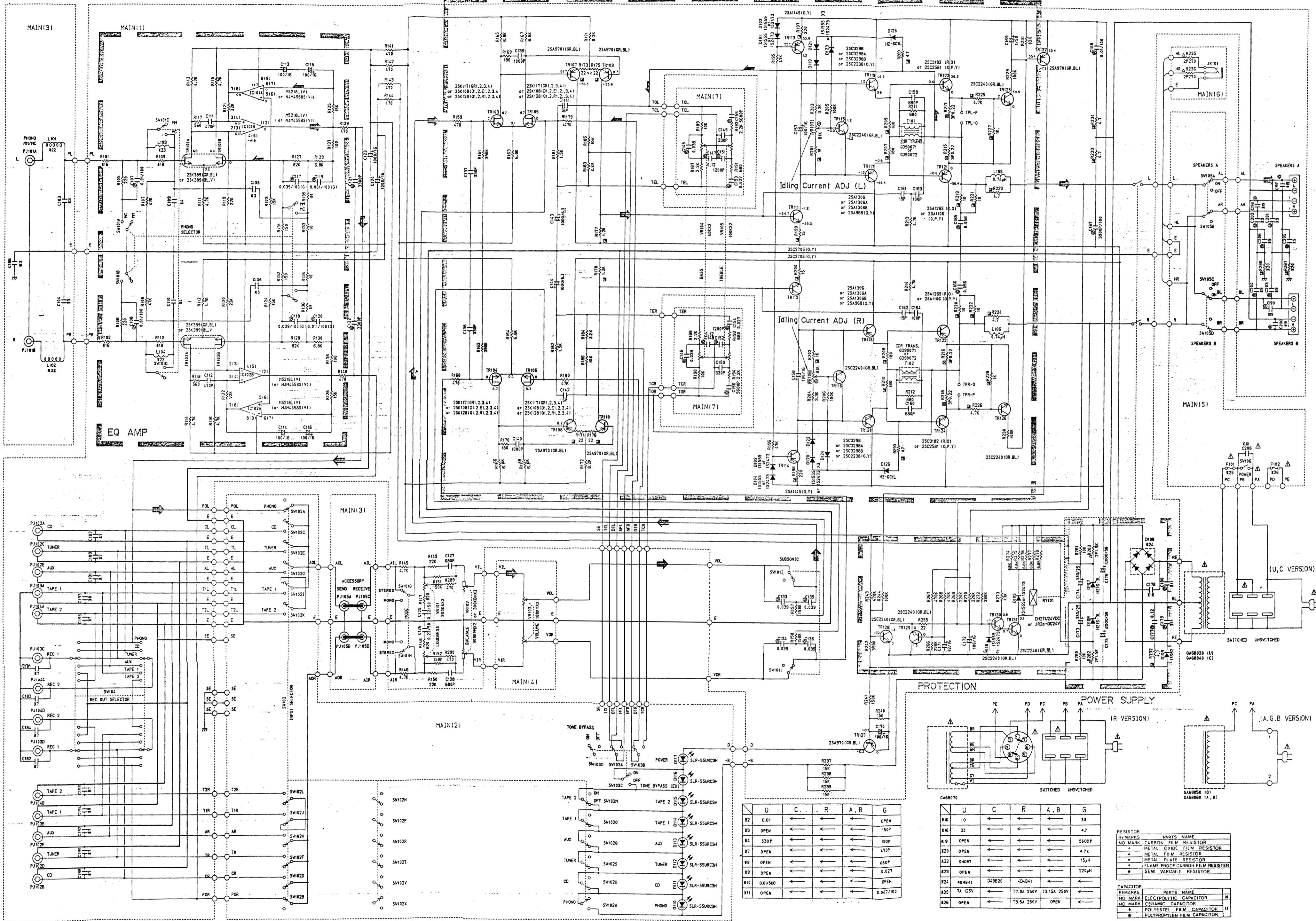
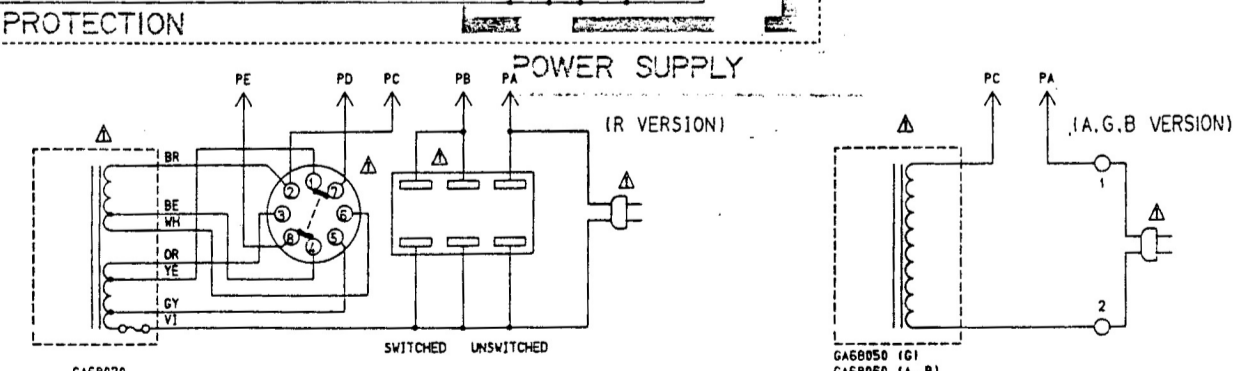


SCHEMATIC DIAGRAM

POWER AMP



| | U | C | R | A, B | G |
|-----|----------|---|---|------|-----------|
| #2 | 0.01 | ← | ← | ← | OPEN |
| #3 | OPEN | ← | ← | ← | 150P |
| #4 | 330P | ← | ← | ← | 150P |
| #7 | OPEN | ← | ← | ← | 4.7K |
| #8 | OPEN | ← | ← | ← | 680P |
| #9 | OPEN | ← | ← | ← | 0.027 |
| #10 | 0.01/500 | ← | ← | ← | OPEN |
| #11 | OPEN | ← | ← | ← | 0.047/100 |



| | U | C | R | A, B | G |
|-----|---------|------------|-------------|------|------------|
| #16 | 10 | ← | ← | ← | 33 |
| #18 | 33 | ← | ← | ← | 4.7 |
| #9 | OPEN | ← | ← | ← | 5600P |
| #20 | OPEN | ← | ← | ← | 4.7K |
| #22 | SHORT | ← | ← | ← | 15μH |
| #23 | OPEN | ← | ← | ← | 220μH |
| #24 | 404841 | D48B20 | D4841 | ← | ← |
| #25 | 7A 125V | T7.0A 250V | T3.15A 250V | ← | ← |
| #26 | OPEN | ← | ← | ← | T3.5A 250V |

| REMARKS | PARTS NAME |
|---------|----------------------------------|
| NO MARK | CARBON FILM RESISTOR |
| NO MARK | METAL OXIDE FILM RESISTOR |
| NO MARK | METAL FILM RESISTOR |
| NO MARK | METAL PLATE RESISTOR |
| NO MARK | FLAME PROOF CARBON FILM RESISTOR |
| NO MARK | SEMI VARIABLE RESISTOR |

| REMARKS | PARTS NAME |
|---------|------------------------------|
| NO MARK | ELECTROLYTIC CAPACITOR |
| NO MARK | CERAMIC CAPACITOR |
| NO MARK | POLYESTER FILM CAPACITOR |
| NO MARK | POLYPROPYLENE FILM CAPACITOR |

• Components having special characteristics are marked Δ and must be replaced with parts having specifications equal to those originally installed.
 • Schematic diagram is subject to change without notice.