



THOMSON

TV

Brandt

FERGUSON

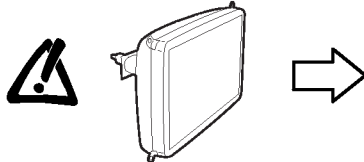
SABA

TELEFUNKEN

THOMSON

PARTS LIST
LISTE PIECES DETACHEES
ERSATZTEILLISTE
LISTA PARTI DI RICAMBIO
LISTA DE PIEZAS DE REPUESTO

THOMSON
29DM400
Chassis ETC210



A68QCP993X507



Version 1 : 29DM4001

A68ELA011X121



Version 2 : 29DM4002

29DM400 Version 1

MODULES

PSB C210PBEP210 B*ER*** R 10867930**
KB KB210E0001 10804460
MIS MIS210E0000 10785470
SSB C210SBES210 B5026000 R 10822280**



FP520,521 MP100 ▲ 10543080
GK101 TSOP1333 25358570
IA001 MSP3410G-QI-C12 FLAT 10801120
IA002 TDA7269 10348790
IA003 MC4558CD FLAT IC 10276220
IB001 TDA6108JF 10616240
IF001 TDA8177F 10352880
IP020 VIPER20/HV(022Y) 10709530
IP030,070 TCET1103G ▲ 10547560
IP050,170,190 LM393/NJM2903D 46069900
IP240 TL431ACLP 10724920
IP510 KF80BDT 25486130
IP530 LD1117DT33 25516290
IP551 LD1117DT18 10802820
IR001 ST92R195B/JAM CUT 1.1 FLAT 10663550
IR002 OTP THOMSON ETC210 V1.02 1079942C
IR003 NCP303LSN45T1 10787020
IR004 CY62128BLL-70ZC FLAT 10786980
IR005 M24C16MN6 FLAT 25348520
IU100 VSP9402A-B13 FLAT 10795930
IV200 TDA9330H/N3 FLAT 10795620
IV520,521 LM358D FLAT 25335740
ZL221,251 MP125 ▲ 10469180
ZL231 MP40 ▲ 10469170
ZP009 MP315 ▲ 10575090



IV010 BC847PN 25441670
TA130,TR060 BCR141 SMD 16006890
TB001,TL311 BF420 11076950
TF041,TL312, BC556B 16001020
TP034,081,179, 180,210
TH161,TR015, BC846B SMD 16006260
062,120,TT030, 035,080,TV300, 310,320,603, TX131,134,231, 234
TL003,TP026, BC546B 45001866
080,160,161, 197,221,TV513
TL004 MPSW01A 70436520
TL005 MPS750 16001340
TL010 2SC5588 25576370
TL029 IRF630FP 25453960
TP020 SPW17N80C2 25513550
TP050,170 BC337-40 45001466
TP051,150, BC327-40 16000450
TV277
TP520 STD17NF03L 25476200
TP523 BC847BS 25451670
TR061,TT050, BC856B SMD 16006310
060,070,TV010, 286,601,602, 606,607,701, 711,721,TX133, 233
TR080,086 BSN20 10302150
TV522 DTC113ZK SMD 10550750
TV523 BCR191 SMD 16006910



DA110,DV530, LL42 SMD 16012530
531
DA130,DP510, LL4148 SMD 16012450
521,530,551, DV286,520,521, 522,523,524, 525,529,533, 534,535,536
DB004 RGP30MT 10450220
DB006,030,031, BAV21 44044407
050,051,070, 071,DL043,305, 306,DP023
DB007 BZX55B47V SMD 25540980
DF011 BZW04-58 10368210
DF031,033, RGP10G 10459090
DL302,303
DH156 ZMM33 SMD 10376460
DL001,073, 1N4148 44009209
DP030,033,060, 080,081,160, 161,170,171, 178,179,180, 191,193,197, 200,211,221, 222,225,230
DL012,DP061, RGP15G 10272800
120,140,220, 240
DL028,222,252 1N4001 16008160
DL029 RGP02-20 10472330
DL030 DTV1500MF 1K5V 6.0A 25560440
DL032 STTH8L06FP 25642890
DL034,036 EGP10D 20953640
DL201,DP111, MUR1100E 10360280
112
DL221,251, FUF5404 20150190
DP007,008
DL231,DP020 FUF4005/MUR160 16009580
DL301 BZX85C24 24V 1.3W 80443620

R : RECYCLED PART
: PIECE RECYCLEE
: AUSTAUSCHTEILE
: RICAMBIO RICICLATO
: MODULO REPROCESADO

For any requests, please contact THOMSON multimedia after sales service area
 Pour toutes précisions, contactez votre service après vente local THOMSON multimedia
 Für weitere Auskünfte, wenden Sie sich bitte an die THOMSON multimedia Kundendienststelle
 Per precisazioni, contattate l'assistenza tecnica THOMSON multimedia
 Para cualquier pregunta, por favor contactar con el responsable de zona del servicio postventa de THOMSON multimedia

VERSION 1 03 / 2004 35791760
VERSION 2 05 / 2004

1/10

DP001,002,003,004,006	GP30M	10455410
DP021	RGP10M	10455320
DP022	BZX85C10	40441560
DP051,113	MUR160 50NOS	25516740
DP053	BZX55B15/ZPD15 2%	80444020
DP110	BYT08PI-1000	25442210
DP130,135	MUR420	16009630
DP150	MUR120RL	25474830
DP520	ZMM10 SMD	16030010
DP524	ZMM5.1 1% SMD	10406250
DV270	ZMM3,9 SMD	16030210
DV271,276,DX130,230	BAV203 SMD	10222420
DX101,103,105,107,140,243	ZMM5.6 2% SMD	10291310
DX123,124	ZMM6,8 SMD	70439940
GE102	LTL307/EE LED	16010330



QA001	18M432HZ	10334670
QR001	4M0HZ	10254300
QU030	20M25HZ	25639490
QV400	12M0HZ SMD	25641210



LA001,050,051, LH153,168, LR001,079, LV200,730	10UH	11066630
LL029	118UH	△ 10659760
LL034		△ 10153270
LL201,LP114	22UOH 10% 1,6A	10470180
LL231	10UH	10260220



PP180	470R0 OHM	10260350
-------	-----------	----------



JP500, JR013, 015, JV333,334, LA013,014,023, 024,063,064, 073,074, RA019, 090,091, RR131, RU054	0R0 OHM +0% 62MI5W	10328750
LL212,221,251	0R0 OHM 0% 0,25W	10113540
RA005,015,016, 025,026,035, 036,114,115, RH159, RP523, 524,525, RR050, 066,067, RT011, 012, RV341,512, 523,526,545, 555,602, RX131, 231	1K0 OHM 5% 0,625W	10135770
RA013,014,023, 024,033,034, 061,062,071, 072, RV285,342	47K0 OHM 5% 0,10W	10135220
RA050,164,165, RT001, RV290	15K0 OHM 5% 0,625W	10135050
RA051,080,120, 121, RL015	4R7 OHM 5% 0,35W	10226310
RA092,094, RH162	47R0 OHM 5% 62MI5W	10134650
RA112,113,166, 167, RT002,004, 005	5K6 OHM 5% 62MI5W	10135960
RA122, RR068, RV507,529	100K0 OHM 5% 0,625W	10135340
RA133, RV343	33K0 OHM 5% 0,625W	10135170
RA134	68K0 OHM 5% 0,625W	10135290
RA168,169, RP540, RR009, 022,064,069, 122, RT033,035, RV286,522	10K0 OHM 5% 62MI5W	10135010
RB001,004	1K5 OHM 5% 0,50W	10121880
RB002	560K0 OHM 5% 0,250W	15008660
RB011, RK105, 107, RL001	1K0 OHM 5% 0,25W	15006730
RB031,051,071	560R0 OHM 10% 0,50W	10257590
RB032,052,072	100R0 OHM 5% 0,25W	30943330
RB079	47R0 OHM 20% 0,50W	21019800
RF002,040, RP010,024,033, 035,073,151, 152,160,165, 187,189,194, 230	1K0 OHM 5% 0,14W	15006720
RF003,006	1K3 OHM 1% 0,40W	15012810
RF008, RL021	1R5 OHM 1% 0,70W	10451140
RF011,012, RL025	1R0 OHM 1% 0,70W	10254220
RG026,027	3K3 OHM 5% 3W	30941170
RK101,103	453R0 OHM 1% 0,25W	15018140
RK101	5K62 OHM 1% 0,25W	15019670
RK102,105	681R0 OHM 1% 0,25W	15020310
RK102,103	1K5 OHM 1% 0,25W	80437630
RK104	3K32 OHM 1% 0,25W	15017270
RL003, RP032, 054,065,137, 150,153,171, 192,221,224	100R0 OHM 5% 0,14W	15006090

RL005, RP066, 067,069,074, 075,080,130, 135,162,175, 198,202,212, 213,223,241	10K0 OHM 5% 0,14W	15006120
RL007,314, RP026,200	47K0 OHM 5% 0,14W	15008400
RL022, RP243	1K0 OHM 1% 0,25W	15012570
RL023	3M9 OHM 2% 0,40W	13057750
RL024	100K0 OHM 1% 0,25W	15010160
RL026,300, RP030,034,055, 062,070,076, 078,172,178, 181,204,210	4K7 OHM 5% 0,14W	13063470
RL037	330R0 OHM 10% 0,50W	14050190
RL075,312,313, RP021	10K OHM 5% 0,25W	15006130
RL221,251	0R27 OHM 5% 2,50W	10263600
RL231	4R7 OHM 5% 3,0W	20709130
RL303	33K2 OHM 1% 0,25W	15016530
RL308	22K1 OHM 1% 0,25W	60442350
RL310	46K4 OHM 1% 0,70W	10403710
RL311	2K21 OHM 1% 0,25W	15015480
RP004	10R0 OHM 5,1W	10541850
RP015	18R0 OHM 230V PTC	△ 10509980
RP019	470K0 OHM 5% 0,430W	13005930
RP020	100R0 OHM 5% 0,75W	△ 10230030
RP027	3K9 OHM 5% 0,14W	15008110
RP049	33R0 OHM 5% 2W	50888890
RP050	10M0 OHM 5% 1W	△ 21090250
RP051	100R0 OHM 5% 4,50W	10379830
RP052	0R1 OHM 5% 2,50W	△ 10288160
RP183	39K0 OHM 1% 0,25W	13064120
RP184	4K75 OHM 1% 0,25W	41344301
RP242	1K07 OHM 1% 0,25W	15012640
RP401	1M0 OHM 5% 1W	△ 10769880
RP402	ERZV14D511	△ 20648220
RP551	6R8 OHM 5% 2W	90576570
RP554, RT013, 014,015, RV607	330R0 OHM 5% 62MI5W	10134870
RP900	28K7 OHM 1% 0,25W	15015250
RR019	2K7 OHM 5% 0,625W	10135880
RR025	270R0 OHM 5% 0,625W	10134850
RR062, RV277, 511,513,542	2K2 OHM 5% 0,625W	10135860
RR072,075, RV011,021,041	220R0 OHM 5% 0,625W	10134830
RV302,312,322	10R0 OHM 5% 0,625W	10134410



CA004,008,	100POF 5% 50V	20506590
CR008,011,017,		
018,020,052,		
053,054,066,		
070,071,076,		
115,126,CT053,		
063,073,CV005		
CA009,CP561,	10NF 10% 50V	10138960
562,563,565,		
569,570,571,		
CR019,CU048		
CA051,054,082,	10UOF 20% 16V 85C SMD	10150190
083,084,102,		
CU705,709,		
CV270,701		
CA052,058,110,	1NOF 10% 50V	10138550
111,123,132,		
160,161,CH150,		
157,159,CR060,		
088,112,116,		
CT030,035,		
CV505,511,527,		
528,530,532,		
534		
CA053,056,085,	100POF 10% 16V	20947390
100,103,CP524,		
CR078,079,087,		
CT081,CU037,		
042,701,702,		
703,704,706,		
707,708,CV010,		
201,202,203,		
220,221,222,		
260,261,262,		
290,521,620,		
621,622,623,		
624,625,702,		
703,704,705,		
706,707,708,		
709,710,731,		
CX132,232,251,		
256		
CA063,064,073,	22UOF 20% 16V 85C SMD	25408540
074,116,117		
CA118,119,	100NOF 5% 63V	25441310
CL010,303,		
CP026,063		
CB001	10NOF 3KOV	14036450
CB004,CL043	100NOF 20% 250V	13072860
CB079	100POF 20% 2KOV	14006310
CF003	4N7F 10% 100V	70427740
CF020,CP031,	100NOF 10% 100V	20467110
034,172,180,		
182,197,204		
CF031,032,	22NOF 20% 63V	13076260
CL008,CP024,		
511,521		
CJ003,004	220POF 10% 50V	14002000
CK101,CP152,	10NOF 10% 100V	70427750
195,201,221		
CL028,CP019,	100POF 20% 1KOV	14035280
020		
CL029	3U3F 20% 63V	△ 10348260
CL031	10NOF 2,5% 2KV	△ 10734180
CL032	27NOF 5% 630V	△ 10679680
CL034	12NOF 2% 400V	10672180
CL035	330NOF 5% 630V	△ 10711510
CL036	2U2F 20% 250V	10190240
CL038,039	27NOF 5% 250V	10683250
CL130	2N6F 2.5% 1K6V	△ 10832020
CL131	3N2F 2.5% 1K6V	△ 10832030

CL201,221,231,	330POF 10% 1KOV	14030320
251		
CL301	10NOF 5% 400V	10588870
CP003,004,005	4N7F 1KOV	10058740
CP006	1UOF 10% 400V	△ 15400480
CP007	560NOF 5% 250V	△ 10376360
CP008,009,051,	470POF 10% 2KOV	10099390
111,121,131,		
136,141,151		
CP010	390UOF 20% 450V	25527780
CP011	1N5F 10% 1KOV	20338740
CP012,022,061,	220POF 10% 1KOV	25460410
113		
CP015	68NOF 20% 250V	10256210
CP021	1NOF 5% 400V	13055520
CP027	22NOF +10% 63.0V	13078160
CP030	2N2F 10% 100V	80434130
CP049,050	1NOF 20% 250V	△ 10660790
CP052	2N2F 10% 1KOV	13090980
CP062,220	220UOF 20% 25V 85C	43401100
CP110	220UOF 20% 200V	10658570
CP112	1NOF 10% 1K6V	10539060
CP190,199,250	47UOF 20% 25V	13070520
CP230	220NOF 20% 16V	30935550
CP241	47NF 10% 63V	13076040
CP401	470NOF 20% 275V	△ 10596570
CR003,004,200,	39POF 5% 50V	20719460
201,202,203,		
CV022,042		
CT011,014,	4.7NF 10% 50V	10138710
CV542,554,556		
CU030,031	15POF 5% 50V	20678050
CV200,730	100UOF 20% 16V 85C SMD	25408580
CV279,300,310,	10POF +0P5F -0P5F 50V	20548230
320,400,401		



LF022	60UOH	25504350
LL001		10778220
LL008	MH34-10829180	△ 10829180
LL037	5U5H	△ 10718430
LP008	570UOH	△ 10710110
LP020	STAND-BY	△ 10786640
LP050	SMT57LZ 10830410	△ 10830410
LP051	560NOH 20%	25490400
LP070	TF-M	△ 10712120
LP401	TF-MF 16MIOH	△ 10708570
LP402		△ 1533285B
LU010,701,702	10UOH 10% SMD	25440830

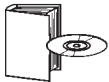
OTHER PARTS AUTRES PIECES SONSTIGE TEILE ALTRE PARTI OTRAS PIEZAS

BA005	CONNECTOR CONNECTEUR STECKVERBINDUNG CONNETTORE CONNECTOR	11095570
BA009	CONNECTOR CONNECTEUR STECKVERBINDUNG CONNETTORE CONNECTOR	90581940
BA010,BP130	CONNECTOR CONNECTEUR STECKVERBINDUNG CONNETTORE CONNECTOR	70438840
BA012	CONNECTOR CONNECTEUR STECKVERBINDUNG CONNETTORE CONNECTOR	30959990
BB001,BV300	CONNECTOR CONNECTEUR STECKVERBINDUNG CONNETTORE CONNECTOR	80448080
BB010	CATHODE RAY TUBE SOCKET △ SUPPORT TUBE CATHODIQUE BILDROEHRENFASSUNG SUPPORTO TUBO CATODICO SOPORTE T.R.C	80298800
BJ010	CINCH SOCKET PRISE CINCH CINCH-BUCHSE PRESA CINCH TOMA CINCH	25669200
BJ011	SVHS SOCKET PRISE SVHS S-VHS-BUCHSE PRESA SVHS TOMA SVHS	20392900
BL111,BP005,	CONNECTOR	25411960
500,BV001	CONNECTEUR STECKVERBINDUNG CONNETTORE CONNECTOR	
BL111,BP005	CABLE 21X 100MM CABLE NAPPE 21X 100MM FOLIENKABEL 21X 100MM CAVO DI COLLEGAMENTO 21X 100MM CABLE 21X 100MM	25471490
BQ012	JACK SOCKET PRISE JACK BUCHSE PRESA JACK TOMA JACK	10539510
BR001	CONNECTOR CONNECTEUR STECKVERBINDUNG CONNETTORE CONNECTOR	20459464
BX004	CONNECTOR CONNECTEUR STECKVERBINDUNG CONNETTORE CONNECTOR	20487680
BX100,200	SCART SOCKET PRISE PERITEL EURO-AV-BUCHSE EUROPRESA NORMALIZZATA EUROCONNECTOR	25421870

CH200	ON/OFF SWITCH MSB2000 ▲ 10276500 CONTACTEUR MARCHE/ARRET MSB2000 EIN-AUS SCHALTER MSB2000 CONTATTORE ACCESO/SPENTO MSB2000 CONTACTOR MARCHA/PARADA MSB2000		FP001	2A5T 250V TIME-LAG FUSE ▲ 10246750 2A5T 250V FUSIBLE TEMPORISE 2A5T 250V SICHERUNG 2A5T 250V FUSIBILE TEMPORIZZATO 2A5T 250V FUSIBLE TEMPORIZADO		SUPPORT CU AND BUTTON CH10TH 25732070 SUPPORT CU ET TOUCHES CH10TH HALTER CU UND TASTE CH10TH SUPPORTO CU E TASTO CH10TH SOPORTE CU Y TECLA CH10TH
CJ015	CABLE WITH CONNECTOR 10512510 9 PINS 380MM CABLE AVEC CONNECTEUR 9 VOIES 380MM KABEL MIT VERBINDER 9 PINS 380MM CAVO CON CONNETTORE 9 SPINOTTI 380MM CABLE CON CONNECTOR 9 PUNTOS 380MM		FP401	3A15T 250V TIME-LAG FUSE ▲ 10119590 3A15T 250V FUSIBLE TEMPORISE 3A15T 250V SICHERUNG 3A15T 250V FUSIBILE TEMPORIZZATO 3A15T 250V FUSIBLE TEMPORIZADO		POWER SUPPLY LEAD ▲ 10260880 CORDON D'ALIMENTATION NETZKABEL CAVO DI ALIMENTAZIONE CABLE DE ALIMENTACION
CJ020	CABLE WITH CONNECTOR 25434810 10 PINS 380MM CABLE AVEC CONNECTEUR 10 VOIES 380MM KABEL MIT VERBINDER 10 PINS 380MM CAVO CON CONNETTORE 10 SPINOTTI 380MM CABLE CON CONECTOR 10 PUNTOS 380MM		NH001	FE6230 TUNER 21254210 FE6230 TETE FE6230 TUNER FE6230 TUNER FE6230 SINTONIZADOR		CORD STOPPER 25307670 ATTACHE CORDON SECTEUR ZUGENTLASTUNG BRIDA CORDONE DI ALIMENTAZIONE SUJECION CABLE DE ALIMENTACION
CJ030	CABLE WITH CONNECTOR 10538630 6 PINS 420MM CABLE AVEC CONNECTEUR 6 VOIES 420MM KABEL MIT VERBINDER 6 PINS 420MM CAVO CON CONNETTORE 6 SPINOTTI 420MM CABLE CON CONNECTOR 6 PUNTOS 420MM		SK101,102,103,104,105	MICROSWITCH 30011100 MICRO CONTACTEUR MIKROSCHALTER MICROINTERRUPTORE MICROCONTACTOR		CABLE 460MM 20KV HT STRIPPED ▲ 10369650 CABLE 460MM 20KV HT STRIPPED KABEL 460MM 20KV HT STRIPPED CAVO 460MM 20KV HT STRIPPED CABLE 460MM 20KV HT STRIPPED A68QCP893X007/993X507 CATHODE RAY TUBE ▲ 10774740 A68QCP893X007/993X507 TUBE CATHODIQUE A68QCP893X007/993X507 FARBBILDROEHRE A68QCP893X007/993X507 TUBO CATODICO A68QCP893X007/993X507 T.R.C
CJ035	CABLE WITH CONNECTOR 30020170 3 PINS 580MM CABLE AVEC CONNECTEUR 3 VOIES 580MM KABEL MIT VERBINDER 3 PINS 580MM CAVO CON CONNETTORE 3 SPINOTTI 580MM CABLE CON CONNECTOR 3 PUNTOS 580MM		EQUIPMENT/PRESENTATION EQUIPEMENT/PRESENTATION AUSSTATTUNG/GEHAEUSE PARTI VARIE EQUIPO/PRESENTACION			DEGAUSSING COIL 1077MM ▲ 10745760 BOBINE DE DEMAGNETISATION 1077MM ENTMAGNETISIERUNGSSPULE 1077MM BOBINA DI SMAGNETIZZAZIONE 1077MM BOBINA DE DESMANTACION 1077MM
CJ050	CABLE WITH CONNECTOR 25018710 7 PINS 500MM WHITE CABLE AVEC CONNECTEUR 7 VOIES 500MM BLANC KABEL MIT VERBINDER 7 PINS 500MM WEIB CAVO CON CONNETTORE 7 SPINOTTI 500MM BIANCO CABLE CON CONNECTOR 7 PUNTOS 500MM BLANCO		FRONT PANEL AL01TH 25732120 FACADE AL01TH FRONTPLATTE AL01TH PANNELLO FRONTALE AL01TH PANEL FRONTAL AL01TH LOGO THOMSON CHROME 25677200 LOGO THOMSON CHROME SCHRIFTZUG THOMSON CHROME MARCHIO THOMSON CHROME LOGOTIPO THOMSON CHROME REAR PANEL RGY49TH ▲ 25726810 DOS RGY49TH RUECKWAND RGY49TH PANNELLO POSTERIORE RGY49TH TAPA POSTERIOR RGY49TH CHASSIS SUPPORT 25413970 SUPPORT CHASSIS CHASSIS HALTER SUPPORTO CHASSIS SOPORTE CHASSIS CHASSIS SLIDE SECURING 25413960 GLISSIERE FIXATION CHASSIS SCHIEBER BEFESTIGUNG CHASSIS SVIVOLO DI FISSAGGIO CHASSIS CORREDERA DE SUJECION CHASIS FCB SUPPORT RGY49TH 25726730 SUPPORT FCB RGY49TH FCB HALTER RGY49TH SUPPORTO FCB RGY49TH SOPORTE FCB RGY49TH 8RO OHM 10W LOUSPEAKER 42X105MM 25737950 8RO OHM 10W HAUT PARLEUR 42X105MM 8RO OHM 10W LAUTSPRECHER 42X105MM 8RO OHM 10W ALTOPARLANTE 42X105MM 8RO OHM 10W ALTAVOZ 42X105MM ON/OFF SWITCH SUPPORT 25668860 SUPPORT CONTACTEUR MARCHE/ARRET HALTER EIN-AUS SCHALTER SUPPORTO CONTATTORE ACCESO/SPENTO SOPORTE CONTACTOR MARCHA/PARADA ON/OFF BUTTON CH10TH 25732040 TOUCHE MARCHE/ARRET CH10TH EIN-AUS TASTE CH10TH TASTO ACCESO/SPENTO CH10TH TECLA MARCHA/PARADA CH10TH		RC111TA1G REMOTE CONTROL 21282860 RC111TA1G TELECOMMANDE RC111TA1G FERNBEDIENUNG RC111TA1G TELECOMANDO RC111TA1G TELEMANDO FOLDING BOX 25722060 EMBALLAGE CARTON KARTON IMBALLAGGIO CARTONE EMBALAJE CARTON FITTING UPPER 25722040 CALE SUPERIEURE POLSTER OBEN DISTANZIATORE SUPERIORE CALZO SUPERIOR FITTING DOWNER 25722030 CALE INFERIEURE POLSTER UNTEN DISTANZIATORE INFERIORE CALZO INFERIOR	
CJ090	CABLE WITH CONNECTOR 25018960 5 PINS 300MM WHITE CABLE AVEC CONNECTEUR 5 VOIES 300MM BLANC KABEL MIT VERBINDER 5 PINS 300MM WEISS CAVO CON CONNETTORE 5 SPINOTTI 300MM BIANCO CABLE CON CONNECTOR 5 PUNTOS 300MM BLANCO					
CJ130	CABLE WITH CONNECTOR 25485670 6 PINS 740MM RED CABLE AVEC CONNECTEUR 6 VOIES 740MM ROUGE KABEL MIT VERBINDER 6 PINS 740MM ROT CAVO CON CONNETTORE 6 SPINOTTI 740MM ROSSO CABLE CON CONNECTOR 6 PUNTOS 740MM ROJO					

**MAINTENANCE TOOLS
MAINTENANCE
WERKZEUG FUER DAS GERAET
UTENSILI DI MANUTENZIONE
MANTENIMIENTO**

ETC210-ITC222 POWER SUPPLY REPAIR KIT 35739700
ETC210-ITC222 KIT DE MAINTENANCE ALIM.
ETC210-ITC222 REPARATURSET NETZTEIL TV
ETC210-ITC222 KIT PER RIPARARE L'ALIM.
ETC210-ITC222 KIT DE REPARACION DE ALIM.



ETC210 SERVICE MANUAL 35719290
ETC210 DOC TECHNIQUE
ETC210 TECHNISCHE DOKUMENTATION
ETC210 DOCUMENTAZIONE TECNICA
ETC210 DOCUMENTACION TECNICA
29DM400 PARTS LIST 35791760
29DM400 LISTE DE PIECES DETACHEES
29DM400 ERSATZTEILLISTE
29DM400 LISTA PARTI DI RICAMBIO
29DM400 LISTE DE PIEZAS DE REPUESTO
ETC210 UM 15 LANGUAGE 25678300
ETC210 NU 15 LANGUES
ETC210 BA 15 SPRACHE
ETC210 IU 15 LINGUA
ETC210 IU 15 LENGUA



THOMSON

TV

Brandt

FERGUSON

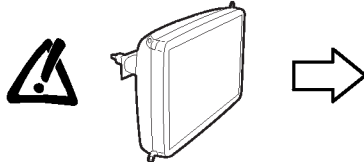
SABA

TELEFUNKEN

THOMSON

PARTS LIST
 LISTE PIECES DETACHEES
 ERSATZTEILLISTE
 LISTA PARTI DI RICAMBIO
 LISTA DE PIEZAS DE REPUESTO

THOMSON
 29DM400
 Chassis ETC210



A68QCP993X507



Version 1 : 29DM4001

A68ELA011X121



Version 2 : 29DM4002

29DM400 Version 2

MODULES

PSB	C210PBEP210 B*EZ****8*	R	25722130
KB	KB210E0001		10804460
MIS	MIS210E0000		10785470
SSB	C210SBES210 B5**026000	R	10822280



FP520,521	MP100	△	10543080
GK101	TSOP1333		25358570
IA001	MSP3410G-QI-C12 FLAT		10801120
IA002	TDA7269		10348790
IA003	MC4558CD FLAT IC		10276220
IB001	TDA6108JF		10616240
IF001	TDA8177F		10352880
IP020	VIPER20/HV(022Y)		10709530
IP030,070	TLP621 GR(D4-LF2 T)	△	20827900
IP050,170,190	LM393/NJM2903D		46069900
IP240	TL431ACLP		10724920
IP510	KF80BDT		25486130
IP530	LD1117DT33		25516290
IP551	LD1117DT18		10802820
IR001	ST92R195B/JAM CUT 1.1 FLAT		10663550
IR002	OTP THOMSON ETC210 V1.02		1079942C
IR003	NCP303LSN45T1		10787020
IR004	CY62128BLL-70ZC FLAT		10786980
IR005	M24C16MN6 FLAT		25348520
IU100	VSP9402A-B13 FLAT		10795930
IV200	TDA9330H/N3 FLAT		10795620
IV520,521	LM358D FLAT		25335740
ZL221,251	MP125	△	10469180
ZL231	MP40	△	10469170
ZP009	MP315	△	10575090



IV010	BC847PN		25441670
TA130,TR060	BCR141 SMD		16006890
TB001,TL311	BF420		11076950
TF041,TL312,	BC556B		16001020
TP034,081,179,			180,210
TG001,003	BF959		25651950
TG006	BD140-16		25425020
TG007	BD139-16		16001760
TG011,TL003,	BC546B		45001866
TP026,080,160,			161,197,221,
TV513			
TH161,TR015,	BC846B SMD		16006260
062,120,TT030,			035,080,TV300,
310,320,603,			TX131,134,231,
234			
TL004	MPSW01A		70436520
TL005	MPS750		16001340
TL010	2SC5588		25576370
TL029	IRF630FP		25453960
TP020	SPW17N80C2		25513550
TP050,170	BC337-40		45001466
TP051,150,	BC327-40		16000450
TV277			
TP520	STD17NF03L		25476200
TP523	BC847BS		25451670
TR061,TT050,	BC856B SMD		16006310
060,070,TV010,			286,601,602,
606,607,701,			711,721,TX133,
233			
TR080,086	BSN20		10302150
TV522	DTC113ZK SMD		10550750
TV523	BCR191 SMD		16006910



DA110,DV530,	LL42 SMD		16012530
531			
DA130,DP510,	LL4148 SMD		16012450
521,530,551,			
DV286,520,521,			522,523,524,
525,529,533,			534,535,536
DB004	1N4004		44009009
DB006,030,031,	BAV21		44044407
050,051,070,			071,DL043,305,
306,DP023			
DB007	BZX55B47V SMD		25540980
DF011	BZW04-58		10368210
DF031,033,	RGPI0G		10459090
DL302,303			
DG001,002,003,	1N4148		44009209
004,DL001,073,			DP030,033,060,
080,081,160,			161,170,171,
178,179,180,			191,193,197,
200,211,221,			222,225,230
DG026	BZX55C6V8		50890650
DH156	ZMM33 SMD		10376460
DL012,DP061,	RGPI5G		10272800
120,140,150,			220,240
DL028,222,252	1N4001		16008160
DL029,035	RGPI02-20		10472330
DL030	DTV1500MF 1K5V 6.0A		25560440
DL032	STTH8L06FP		25642890
DL034,036	EGPI0D		20953640
DL201,DP111,	MUR1100E		10360280
112			
DL221,251,	FUF5404		20150190
DP007,008			

R : RECYCLED PART
 : PIECE RECYCLEE
 : AUSTAUSCHTEILE
 : RICAMBIO RICICLATO
 : MODULO REPROCESADO

For any requests, please contact THOMSON multimedia after sales service area
 Pour toutes précisions, contactez votre service apres vente local THOMSON multimedia
 Für weitere Auskünfte, wenden Sie sich bitte an die THOMSON multimedia Kundendienst
 Per precisazioni, contattate l'assistenza tecnica THOMSON multimedia
 Para cualquier pregunta, por favor contactar con el responsable de zona del servicio postventa de THOMSON multimedia

VERSION 1 03 / 2004 35791760
 VERSION 2 05 / 2004

6/10

No copying, translation, modification on other use authorized. All rights reserved worldwide. • Tous droits de reproduction, de traduction, d'adaptation et d'exécution réservés pour tous les pays. • Sämtliche Urheberrechte an diesen Texten und Zeichnungen stehen uns zu. Nachdrucke, Vervielfältigungen - auch auszugsweise - nur mit unserer vorherigen Zustimmung zulässig. Alle Rechte vorbehalten. • I diritti di riproduzione, di traduzione, e esecuzione sono riservati per tutti i paesi. • Derechos de reproducción, de traducción, de adaptación y de ejecución reservados para todos los países.

DL231,DP020	FUF4005/MUR160	16009580
DL301	BZX85C24 24V 1.3W	80443620
DP001,002,003,004,006	GP30M	10455410
DP021	RGP10M	10455320
DP022	BZX85C10	40441560
DP051,113	MUR160 50NOS	25516740
DP053	BZX55B15/ZPD15 2%	80444020
DP110	BYT08PI-1000	25442210
DP130,135	MUR420	16009630
DP520	ZMM10 SMD	16030010
DP524	ZMM5.1 1% SMD	10406250
DV270	ZMM3,9 SMD	16030210
DV271,276,DX130,230	BAV203 SMD	10222420
DX101,103,105,107,140,243	ZMM5.6 2% SMD	10291310
DX123,124	ZMM6,8 SMD	70439940
GE102	LTL307/EE LED	16010330



QA001	18M432HZ	10334670
QR001	4M0HZ	10254300
QU030	20M25HZ	25639490
QV400	12M0HZ SMD	25641210



LA001,050,051, LH153,168, LR001,079, LV200,730	10UH	11066630
LL029	118UH	△ 10659760
LL034		△ 10153270
LL201,LP114	22U0H 10% 1,6A	10470180
LL231	10UH	10260220



PP180	470R0 OHM	10260350
--------------	-----------	----------



JP500,JR013,015,JV333,334, LA013,014,023,024,063,064,073,074,RA019,090,091,RR131, RU054	0R0 OHM +0% 62MI5W	10328750
RA005,015,016,025,026,035,036,114,115, RH159,RP523,524,525,RR050,066,067,RT011,012,RV341,512,523,526,545,555,602,RX131,231	1K0 OHM 5% 0,625W	10135770
RA013,014,023,024,033,034,061,062,071,072,RV285,342	47K0 OHM 5% 0,10W	10135220
RA050,164,165, RT001,RV290	15K0 OHM 5% 0,625W	10135050
RA051,080,120,121,RL015	4R7 OHM 5% 0,35W	10226310
RA092,094, RH162	47R0 OHM 5% 62MI5W	10134650
RA112,113,166,167,RT002,004,005	5K6 OHM 5% 62MI5W	10135960
RA122,RR068, RV507,529	100K0 OHM 5% 0,625W	10135340
RA133,RV343	33K0 OHM 5% 0,625W	10135170
RA134	68K0 OHM 5% 0,625W	10135290
RA168,169, RP540,RR009,022,064,069,122,RT033,035, RV286,522	10K0 OHM 5% 62MI5W	10135010
RB001,004	1K5 OHM 5% 0,50W	10121880
RB031,051,071	560R0 OHM 10% 0,50W	10257590
RB079	47R0 OHM 20% 0,50W	21019800
RF003,006	1K3 OHM 1% 0,40W	15012810
RF008,RL021	1R5 OHM 1% 0,70W	10451140
RF011,012, RL025	1R0 OHM 1% 0,70W	10254220
RG026,027	3K3 OHM 5% 3W	30941170
RG030	22R0 OHM 5% 0,25W	△ 35031220
RK101	5K62 OHM 1% 0,25W	15019670
RK102	1K5 OHM 1% 0,25W	80437630
RK103	453R0 OHM 1% 0,25W	15018140
RK104	3K32 OHM 1% 0,25W	15017270
RK105	681R0 OHM 1% 0,25W	15020310
RK107	1K0 OHM 5% 0,25W	15006730
RL022,RP243	1K0 OHM 1% 0,25W	15012570
RL023	3M9 OHM 2% 0,40W	13057750
RL024	100K0 OHM 1% 0,25W	15010160
RL037	330R0 OHM 10% 0,50W	14050190
RL044	549K0 OHM 1% 0,25W	15019220
RL221,251	0R27 OHM 5% 2,50W	10263600
RL231	4R7 OHM 5% 3,0W	20709130
RL303	33K2 OHM 1% 0,25W	15016530
RL308	22K1 OHM 1% 0,25W	60442350
RL310	46K4 OHM 1% 0,70W	10403710
RL311	2K21 OHM 1% 0,25W	15015480
RP004	10R0 OHM 5,1W	10541850
RP015	18R0 OHM 220V PTC	△ 41398800

RP020	100R0 OHM 5% 0,75W	△ 10230030
RP049	33R0 OHM 5% 2W	50888890
RP050	10M0 OHM 5% 1W	△ 21090250
RP051	100R0 OHM 5% 4,50W	10379830
RP052	0R1 OHM 5% 2,50W	△ 10288160
RP112	10K0 OHM 10% 2W	15022700
RP183	39K0 OHM 1% 0,25W	13064120
RP184	4K75 OHM 1% 0,25W	41344301
RP242	1K07 OHM 1% 0,25W	15012640
RP401	1M0 OHM 5% 1W	△ 10769880
RP402	ERZV14D511	△ 20648220
RP551	6R8 OHM 5% 2W	90576570
RP554,RT013,014,015,RV607	330R0 OHM 5% 62MI5W	10134870
RP900	28K7 OHM 1% 0,25W	15015250
RR019	2K7 OHM 5% 0,625W	10135880
RR025	270R0 OHM 5% 0,625W	10134850
RR062,RV277,511,513,542	2K2 OHM 5% 0,625W	10135860
RR072,075, RV011,021,041	220R0 OHM 5% 0,625W	10134830
RV302,312,322	10R0 OHM 5% 0,625W	10134410



CA004,008, CR008,011,017, 018,020,052, 053,054,066, 070,071,076, 115,126, CT053, 063,073, CV005	100POF 5% 50V	20506590
CA009,CP561, 562,563,565, 569,570,571, CR019,CU048	10NF 10% 50V	10138960
CA051,054,082, 083,084,102, CU705,709, CV270,701	10UOF 20% 16V 85C SMD	10150190
CA052,058,110, 111,123,132, 160,161, CH150, 157,159, CR060, 088,112,116, CT030,035, CV505,511,527, 528,530,532, 534	1NOF 10% 50V	10138550
CA053,056,085, 100,103, CP524, CR078,079,087, CT081,CU037, 042,701,702, 703,704,706, 707,708, CV010, 201,202,203, 220,221,222, 260,261,262, 290,521,620, 621,622,623, 624,625,702, 703,704,705, 706,707,708, 709,710,731, CX132,232,251, 256	100POF 10% 16V	20947390
CA063,064,073, 074,116,117	22UOF 20% 16V 85C SMD	25408540
CA118,119	100NOF 5% 63V	25441310
CB001	10NOF 3KOV	14036450
CB004,CL043	100NOF 20% 250V	13072860
CB079	100POF 20% 2KOV	14006310
CG007,009,012	22NF 20% 250V	10259550
CK101	10NOF 10% 100V	70427750
CL028,CP019, 020	100POF 20% 1KOV	14035280
CL029	3U3F 20% 63V	△ 10348260
CL031	10NOF 2.5% 2KV	△ 10734180
CL032	27NOF 5% 630V	△ 10679680
CL034	12NOF 2% 400V	10672180
CL035	350NOF 5% 400V	△ 10647350
CL036	2U2F 20% 250V	10190240
CL038,039	27NOF 5% 250V	10683250
CL130,131	3N8F 2.5% 1K6V	△ 10832040
CL201,221,231, 251	330POF 20% 1KOV	14035270
CL301	10NOF 5% 400V	10588870
CP003,004,005	4N7F 1KOV	10058740
CP006	1UOF 10% 400V	△ 15400480
CP007	560NOF 5% 250V	△ 10376360
CP008,009,051, 121,131,136, 141,151	470POF 10% 2KOV	10099390
CP010	390UOF 20% 450V	25527780

CP011	1N5F 10% 1KOV	20338740
CP012,022,061, 113	220POF 10% 1KOV	25460410
CP015	68NOF 20% 250V	10256210
CP021	1NOF 5% 400V	13055520
CP030	2N2F 10% 100V	80434130
CP031,034,172, 180,182,197, 204	100NOF 10% 100V	20467110
CP049,050	1NOF 20% 250V	△ 10660790
CP052	2N2F 10% 1KOV	13090980
CP110	220UOF 20% 200V	10658570
CP111	470POF 10% 2KOV	25392030
CP112	1NOF 10% 1K6V	10539060
CP230	220NOF 20% 16V	30935550
CP401	470NOF 20% 275V	△ 10596570
CP511,521	220NOF 20% 63V	13076260
CR003,004,200, 201,202,203, CV022,042	39POF 5% 50V	20719460
CT011,014, CV542,554,556	4.7NF 10% 50V	10138710
CU030,031	15POF 5% 50V	20678050
CV200,730	100UOF 20% 16V 85C SMD	25408580
CV279,300,310, 320,400,401	10POF +0P5F -0P5F 50V	20548230



LF022,LG001	60UOH	25504350
LL001		10778220
LL008	MH34-10829180	△ 10829180
LL037	5U5H	△ 10718430
LL200	16U5H	10564380
LP008	570UOH	△ 10710110
LP020	STAND-BY	△ 10786640
LP050	SMT57LZ 10805510	△ 10805510
LP051	560NOH 20%	25490400
LP070	TF-M	△ 10712120
LP401	TF-MF 16M10H	△ 10708570
LP402		△ 1533285B
LU010,701,702	10UOH 10% SMD	25440830

OTHER PARTS AUTRES PIECES SONSTIGE TEILE ALTRE PARTI OTRAS PIEZAS

BA005	CONNECTOR CONNECTEUR STECKVERBINDUNG CONNETTORE CONNECTOR	11095570
BA009,BG003	CONNECTOR CONNECTEUR STECKVERBINDUNG CONNETTORE CONNECTOR	90581940
BA010	CONNECTOR CONNECTEUR STECKVERBINDUNG CONNETTORE CONNECTOR	70438840
BA012	CONNECTOR CONNECTEUR STECKVERBINDUNG CONNETTORE CONNECTOR	30959990
BB001,BV300	CONNECTOR CONNECTEUR STECKVERBINDUNG CONNETTORE CONNECTOR	80448080
BB010	CATHODE RAY TUBE SOCKET △ SUPPORT TUBE CATHODIQUE BILDROEHRENFASSUNG SUPPORTO TUBO CATODICO SOPORTE T.R.C	80298800
BJ010	CINCH SOCKET PRISE CINCH CINCH-BUCHSE PRESA CINCH TOMA CINCH	25669200
BJ011	SVHS SOCKET PRISE SVHS S-VHS-BUCHSE PRESA SVHS TOMA SVHS	20392900
BL111,BP005, 500, BV001	CONNECTOR CONNECTEUR STECKVERBINDUNG CONNETTORE CONNECTOR	25411960
BL111,BP005	CABLE 21X 100MM CABLE NAPPE 21X 100MM FOLIENKABEL 21X 100MM CAVO DI COLLEGAMENTO 21X 100MM CABLE 21X 100MM	25471490
BQ012	JACK SOCKET PRISE JACK BUCHSE PRESA JACK TOMA JACK	10539510
BR001	CONNECTOR CONNECTEUR STECKVERBINDUNG CONNETTORE CONNECTOR	20459464
BX004	CONNECTOR CONNECTEUR STECKVERBINDUNG CONNETTORE CONNECTOR	20487680
BX100,200	SCART SOCKET PRISE PERITEL EURO-AV-BUCHSE EUROPRESA NORMALIZZATA EUROCONNECTOR	25421870

CH200	ON/OFF SWITCH MSB2000 Δ 10276500 CONTACTEUR MARCHE/ARRET MSB2000 EIN-AUS SCHALTER MSB2000 CONTATTORE ACCESO/SPENTO MSB2000 CONTACTOR MARCHA/PARADA MSB2000	
CJ015	CABLE WITH CONNECTOR 10512510 9 PINS 380MM CABLE AVEC CONNECTEUR 9 VOIES 380MM KABEL MIT VERBINDER 9 PINS 380MM CAVO CON CONNETTORE 9 SPINOTTI 380MM CABLE CON CONNECTOR 9 PUNTOS 380MM	
CJ020	CABLE WITH CONNECTOR 25434810 10 PINS 380MM CABLE AVEC CONNECTEUR 10 VOIES 380MM KABEL MIT VERBINDER 10 PINS 380MM CAVO CON CONNETTORE 10 SPINOTTI 380MM CABLE CON CONECTOR 10 PUNTOS 380MM	
CJ030	CABLE WITH CONNECTOR 10538630 6 PINS 420MM CABLE AVEC CONNECTEUR 6 VOIES 420MM KABEL MIT VERBINDER 6 PINS 420MM CAVO CON CONNETTORE 6 SPINOTTI 420MM CABLE CON CONNECTOR 6 PUNTOS 420MM	
CJ035	CABLE WITH CONNECTOR 30020170 3 PINS 580MM CABLE AVEC CONNECTEUR 3 VOIES 580MM KABEL MIT VERBINDER 3 PINS 580MM CAVO CON CONNETTORE 3 SPINOTTI 580MM CABLE CON CONNECTOR 3 PUNTOS 580MM	
CJ050	CABLE WITH CONNECTOR 25018710 7 PINS 500MM WHITE CABLE AVEC CONNECTEUR 7 VOIES 500MM BLANC KABEL MIT VERBINDER 7 PINS 500MM WEISS CAVO CON CONNETTORE 7 SPINOTTI 500MM BIANCO CABLE CON CONNECTOR 7 PUNTOS 500MM BLANCO	
CJ090	CABLE WITH CONNECTOR 25018960 5 PINS 300MM WHITE CABLE AVEC CONNECTEUR 5 VOIES 300MM BLANC KABEL MIT VERBINDER 5 PINS 300MM WEISS CAVO CON CONNETTORE 5 SPINOTTI 300MM BIANCO CABLE CON CONNECTOR 5 PUNTOS 300MM BLANCO	
CJ130	CABLE WITH CONNECTOR 25485670 6 PINS 740MM RED CABLE AVEC CONNECTEUR 6 6 VOIES 740MM ROUGE KABEL MIT VERBINDER 6 6 PINS 740MM ROT CAVO CON CONNETTORE 6 6 SPINOTTI 740MM ROSSO CABLE CON CONNECTOR 6 6 PUNTOS 740MM ROJO	

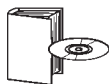
FP001	2A5T 250V TIME-LAG FUSE Δ 10246750 2A5T 250V FUSIBLE TEMPORISE 2A5T 250V SICHERUNG 2A5T 250V FUSIBILE TEMPORIZZATO 2A5T 250V FUSIBLE TEMPORIZADO	
FP401	3A15T 250V TIME-LAG FUSE Δ 10119590 3A15T 250V FUSIBLE TEMPORISE 3A15T 250V SICHERUNG 3A15T 250V FUSIBILE TEMPORIZZATO 3A15T 250V FUSIBLE TEMPORIZADO	
NH001	FE6230 TUNER 21254210 FE6230 TETE FE6230 TUNER FE6230 TUNER FE6230 SINTONIZADOR	
SK101,102,103,104,105	MICROSWITCH 30011100 MICRO CONTACTEUR MIKROSCHALTER MICROINTERRUTTORE MICROCONTACTOR	

EQUIPMENT/PRESENTATION EQUIPEMENT/PRESENTATION AUSSTATTUNG/GEHAUSE PARTI VARIE EQUIPO/PRESENTACION	
FRONT PANEL AL01TH 25732120 FACADE AL01TH FRONTPLATTE AL01TH PANNELLO FRONTALE AL01TH PANEL FRONTAL AL01TH	
LOGO THOMSON CHROME 25677200 LOGO THOMSON CHROME SCHRIFTZUG THOMSON CHROME MARCHIO THOMSON CHROME LOGOTIPO THOMSON CHROME	
REAR PANEL RGY49TH Δ 25726810 DOS RGY49TH RUECKWAND RGY49TH PANNELLO POSTERIORE RGY49TH TAPA POSTERIOR RGY49TH	
CHASSIS SUPPORT 25413970 SUPPORT CHASSIS CHASSIS HALTER SUPPORTO CHASSIS SOPORTE CHASSIS	
CHASSIS SLIDE SECURING 25413960 GLISSIERE FIXATION CHASSIS SCHIEBER BEFESTIGUNG CHASSIS SVIVOLO DI FISSAGGIO CHASSIS CORREDERA DE SUJECION CHASIS	
FCB SUPPORT RGY49TH 25726730 SUPPORT FCB RGY49TH FCB HALTER RGY49TH SUPPORTO FCB RGY49TH SOPORTE FCB RGY49TH	
8RO OHM 10W LOUSPEAKER 42X105MM 25737950 8RO OHM 10W HAUT PARLEUR 42X105MM 8RO OHM 10W LAUTSPRECHER 42X105MM 8RO OHM 10W ALTOPARLANTE 42X105MM 8RO OHM 10W ALTAVOZ 42X105MM	
ON/OFF SWITCH SUPPORT 25668860 SUPPORT CONTACTEUR MARCHE/ARRET HALTER EIN-AUS SCHALTER SUPPORTO CONTATTORE ACCESO/SPENTO SOPORTO CONTACTOR MARCHA/PARADA	
ON/OFF BUTTON CH10TH 25732040 TOUCHE MARCHE/ARRET CH10TH EIN-AUS TASTE CH10TH TASTO ACCESO/SPENTO CH10TH TECLA MARCHA/PARADA CH10TH	
SUPPORT CU AND BUTTON CH10TH 25732070 SUPPORT CU ET TOUCHES CH10TH HALTER CU UND TASTE CH10TH SUPPORTO CU E TASTO CH10TH SOPORTE CU Y TECLA CH10TH	
POWER SUPPLY LEAD Δ 10260880 CORDON D'ALIMENTATION NETZKABEL CAVO DI ALIMENTAZIONE CABLE DE ALIMENTACION	
CORD STOPPER 25307670 ATTACHE CORDON SECTEUR ZUGENTLASTUNG BRIDA CORDONE DI ALIMENTAZIONE SUJECION CABLE DE ALIMENTACION	
CABLE 460MM 20KV HT STRIPPED Δ 10369650 CABLE 460MM 20KV HT STRIPPED KABEL 460MM 20KV HT STRIPPED CAVO 460MM 20KV HT STRIPPED CABLE 460MM 20KV HT STRIPPED	
A68ELA011X121 CATHODE RAY TUBE Δ 10785230 A68ELA011X121 TUBE CATHODIQUE A68ELA011X121 FARBBILDROEHRE A68ELA011X121 TUBO CATODICO A68ELA011X121 T.R.C	

DEGAUSSING COIL 1077MM BOBINE DE DEMAGNETISATION 1077MM ENTMAGNETISIERUNGSSPULE 1077MM BOBINA DI SMAGNETIZZAZIONE 1077MM BOBINA DE DESMANTACION 1077MM	△ 10745760
RC111TA1G REMOTE CONTROL RC111TA1G TELECOMMANDE RC111TA1G FERNBEDIENUNG RC111TA1G TELECOMANDO RC111TA1G TELEMANDO	21282860
FOLDING BOX EMBALLAGE CARTON KARTON IMBALLAGGIO CARTONE EMBALAJE CARTON	25722060
FITTING UPPER CALE SUPERIEURE POLSTER OBEN Distanziatore Superiore CALZO SUPERIOR	25722040
FITTING DOWNER CALE INFERIEURE POLSTER UNTEN Distanziatore Inferiore CALZO INFERIOR	25722030

**MAINTENANCE TOOLS
MAINTENANCE
WERKZEUG FUER DAS
GERAET
UTENSILI DI MANUTENZIONE
MANTENIMIENTO**

ETC210-ITC222 POWER SUPPLY REPAIR KIT ETC210-ITC222 KIT DE MAINTENANCE ALIM. ETC210-ITC222 REPARATURSET NETZTEIL TV ETC210-ITC222 KIT PER RIPARARE L'ALIM. ETC210-ITC222 KIT DE REPARACION DE ALIM.	35739700
---	----------



ETC210 SERVICE MANUAL ETC210 DOC TECHNIQUE ETC210 TECHNISCHE DOKUMENTATION ETC210 DOCUMENTAZIONE TECNICA ETC210 DOCUMENTACION TECNICA	35719290
29DM400 PARTS LIST 29DM400 LISTE DE PIECES DETACHEES 29DM400 ERSATZTEILLISTE 29DM400 LISTA PARTI DI RICAMBIO 29DM400 LISTE DE PIEZAS DE REPUESTO	35791760
ETC210 UM 15 LANGUAGE ETC210 NU 15 LANGUES ETC210 BA 15 SPRACHE ETC210 IU 15 LINGUA ETC210 IU 15 LENGUA	25678300

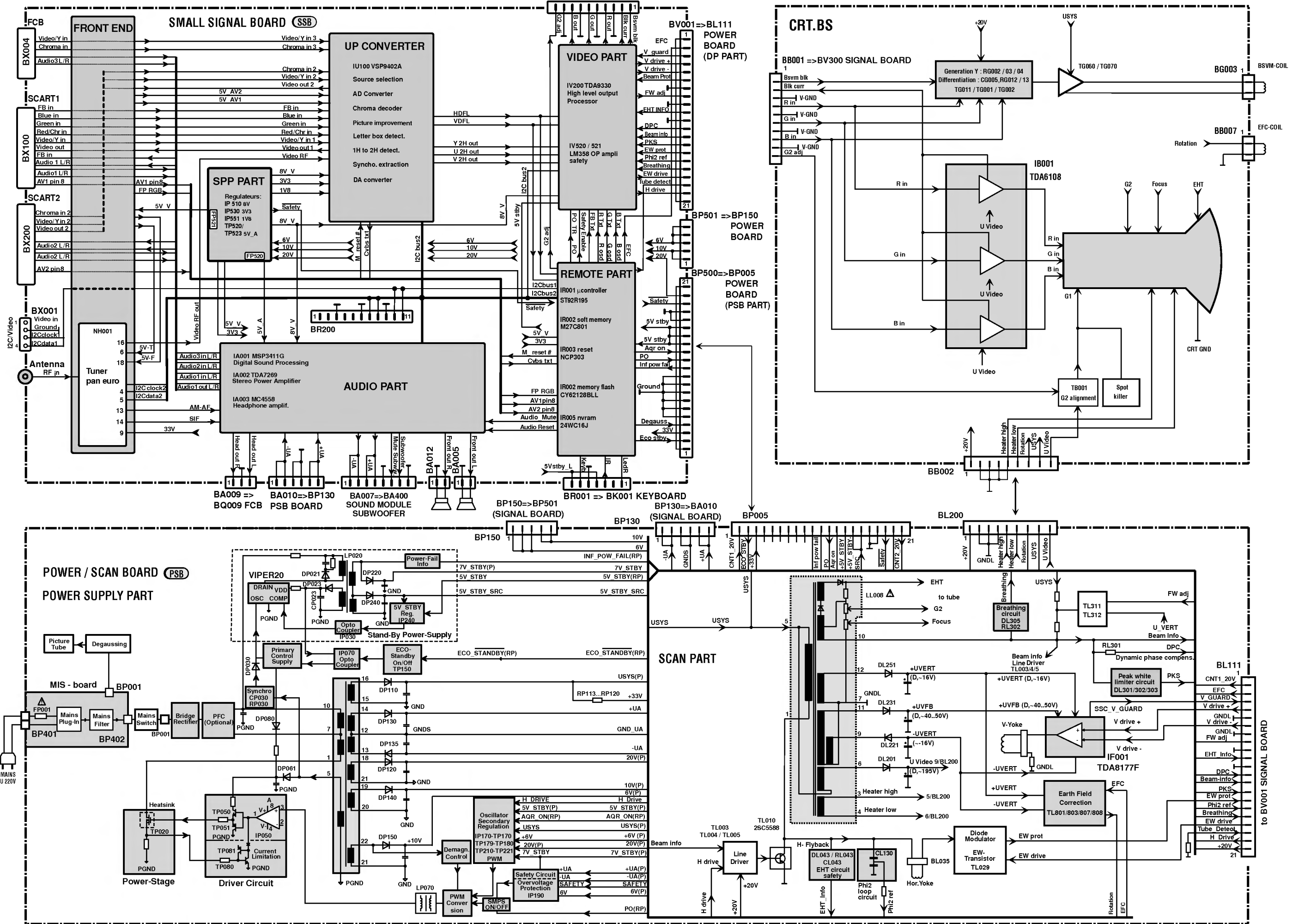
29DM400

10/10

The description and characteristics given here are of informative significance only, and non committal. To keep up the high quality of our products, we reserve the right to make any changes or improvement without previous notice. • Les descriptions et caractéristiques figurant sur ce document sont données à titre d'information et non d'engagement. En effet, soucieux de la qualité de nos produits, nous nous réservons le droit d'effectuer, sans préavis, toute modification ou amélioration. • Die Beschreibungen und Daten in dieser Anleitung dienen nur zur Information und sind nicht bindend. Um die Qualität unserer Produkte ständig zu verbessern, behalten wir uns das Recht auf Änderungen vor. • Le descrizioni e le caratteristiche date su questo documento sono fornite a semplice titolo informativo e senza impegno. Ci riserviamo il diritto di eseguire, senza preavviso, qualsiasi modifica o miglioramento. • Las descripciones y características que figuran en este documento se dan a título de información y no de compromiso. En efecto, en bien de la calidad de nuestros productos, nos reservamos el derecho de efectuar, sin previo aviso, cualquier modificación o mejora.

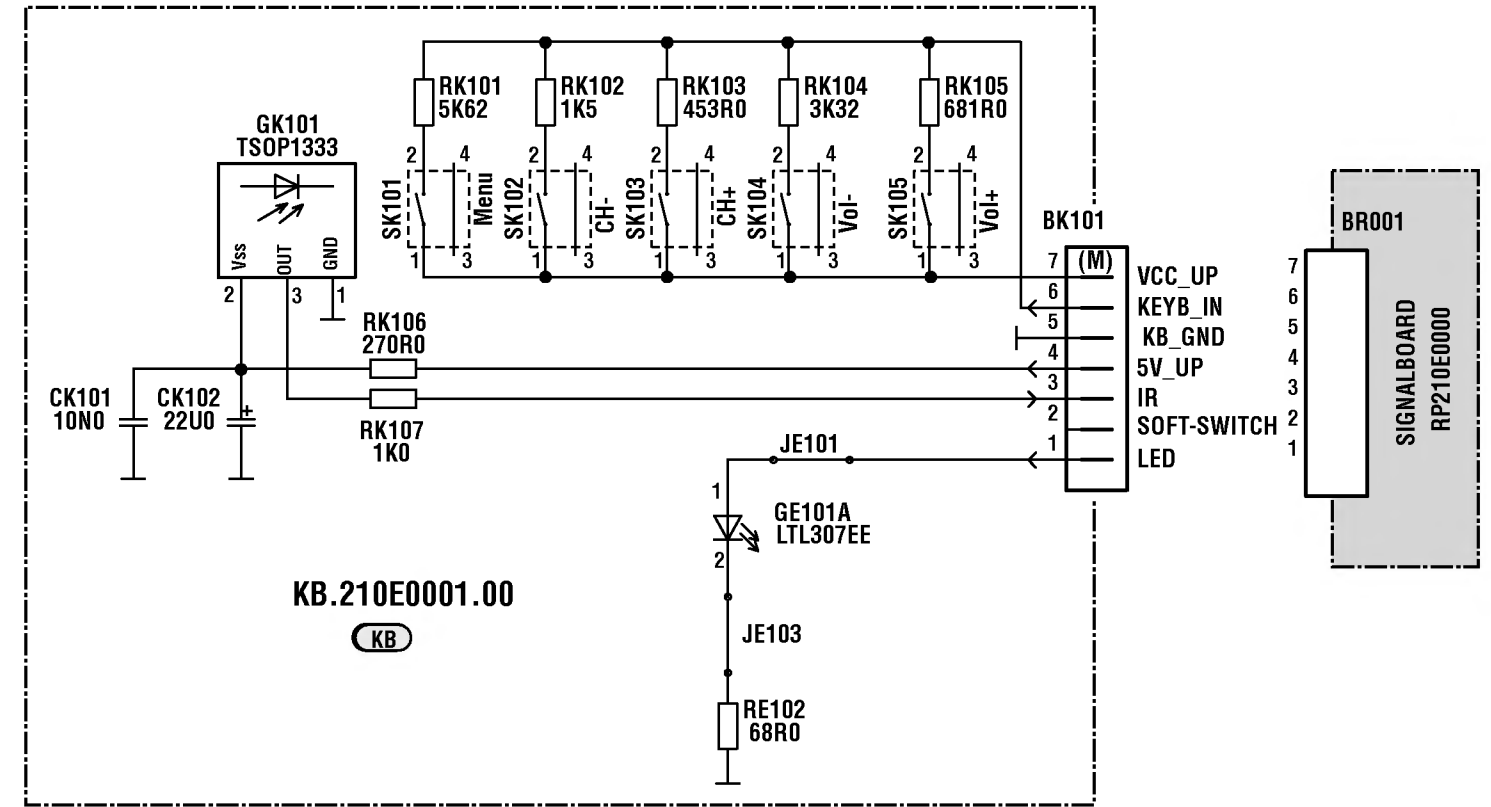
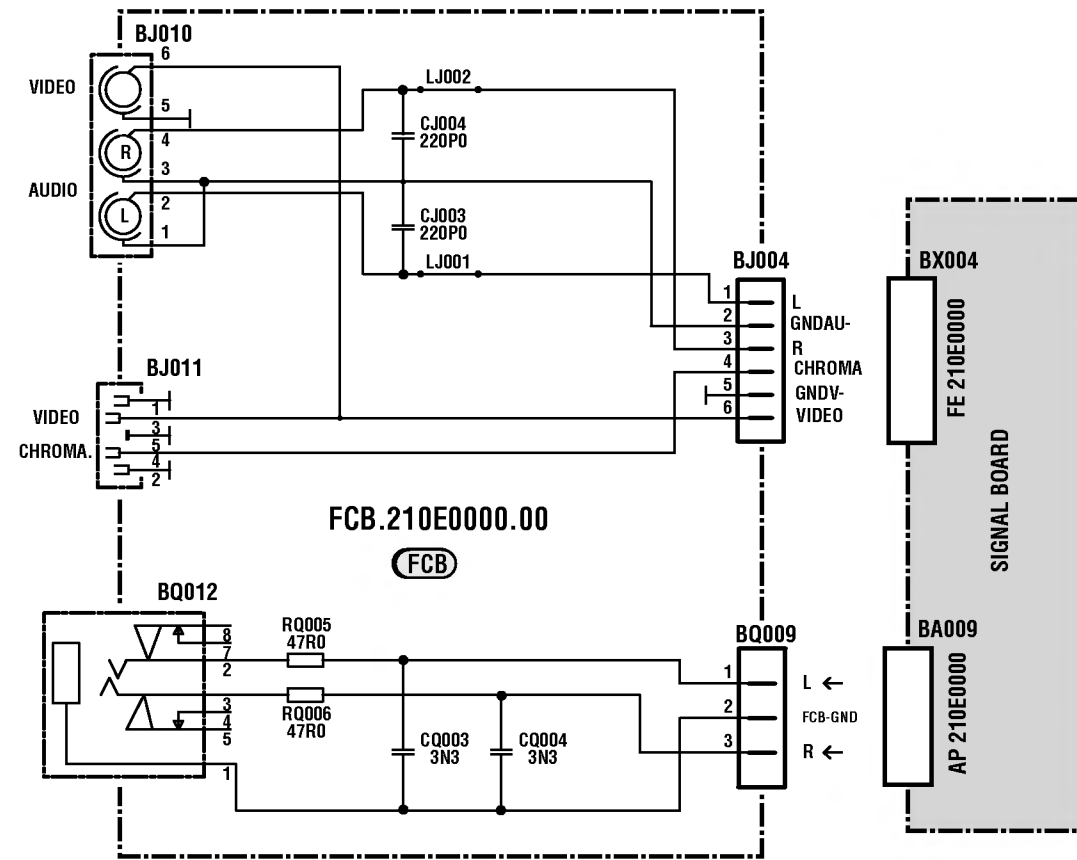
BLOCK DIAGRAM - SCHEMA SYNOPTIQUE - BLOCKSCHALTBIKD - SCHEMA A BLOCCHI - ESQUEMA DE BLOQUES

BV300=>BB001 CRT



FCB.210E0000

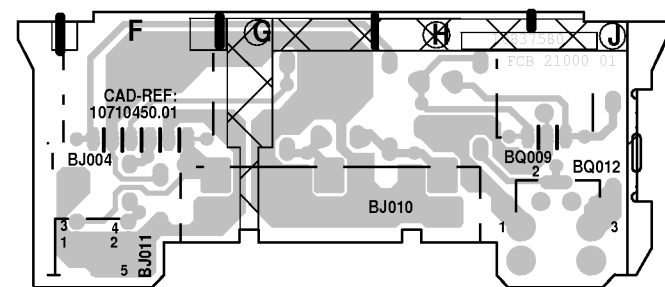
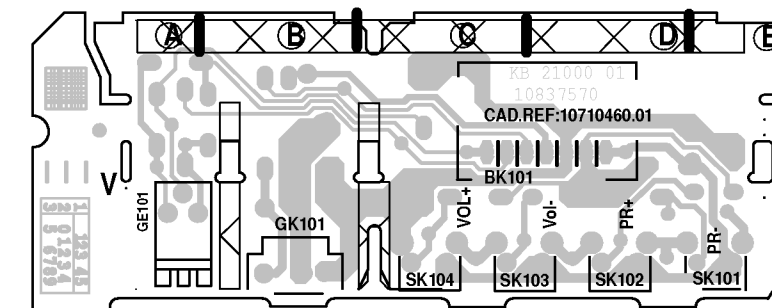
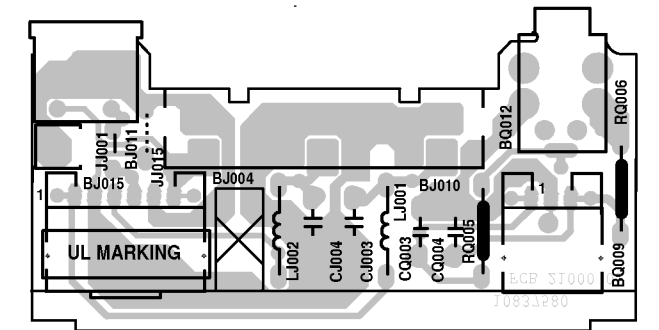
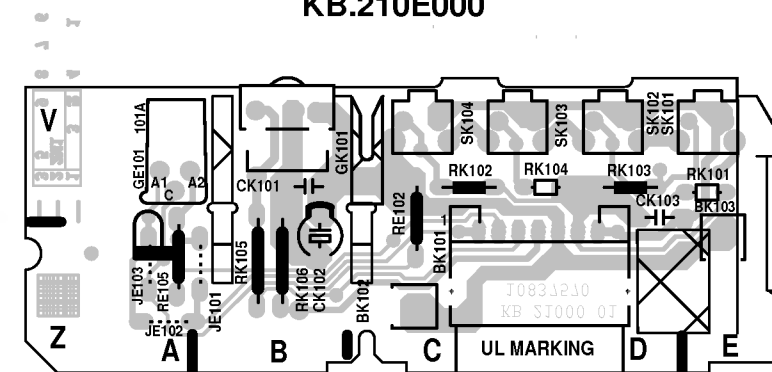
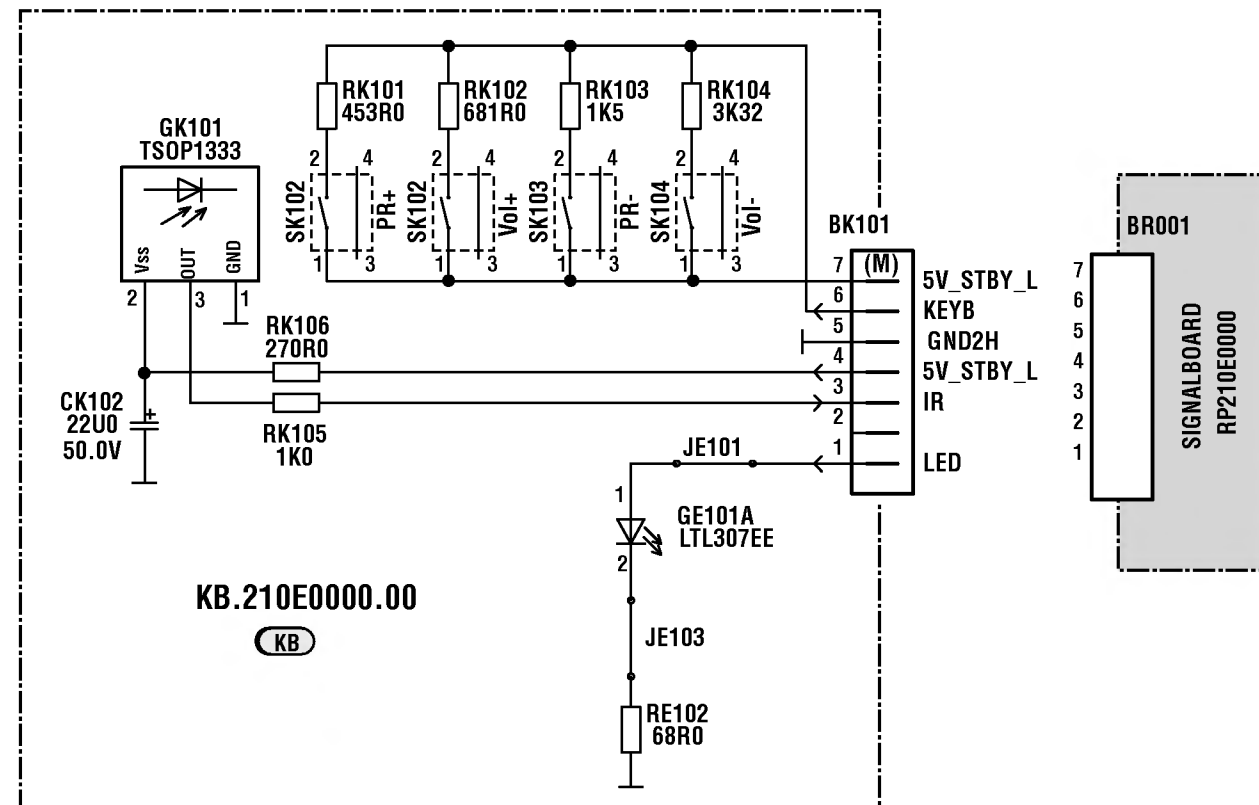
KB.210E0000 - KEYBOARD 5 Key

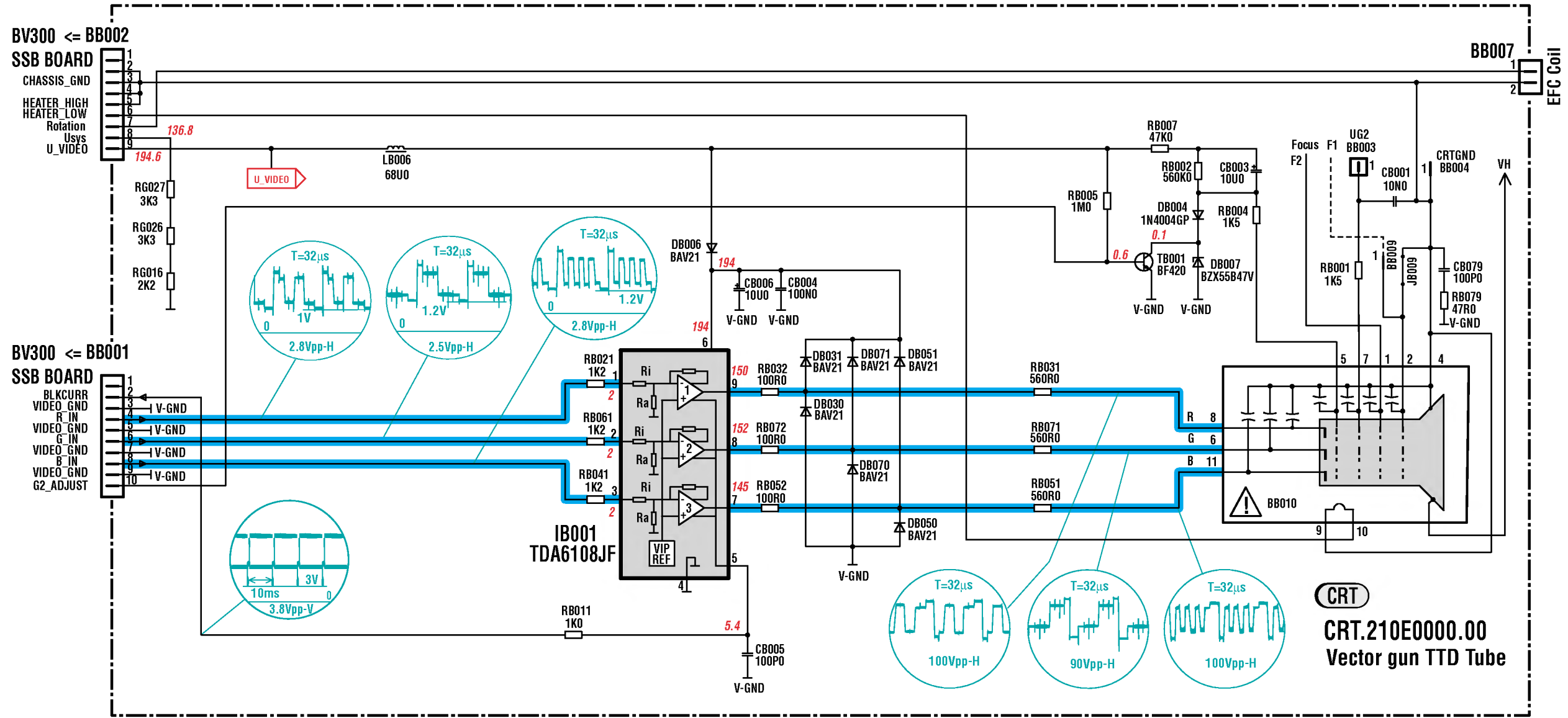


KB.210E0000 - KEYBOARD 4 Key

KB.210E000

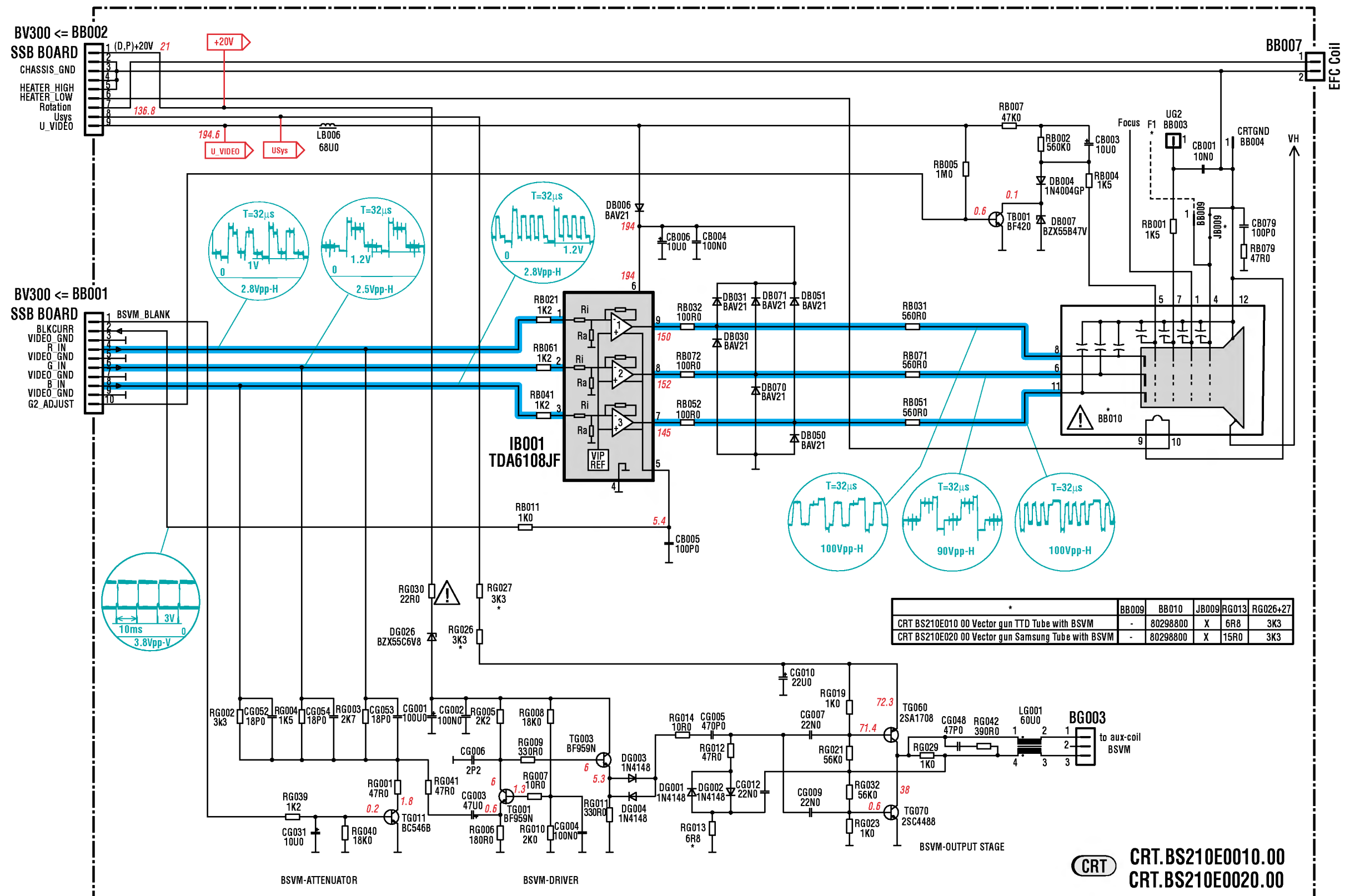
FCB.210E000





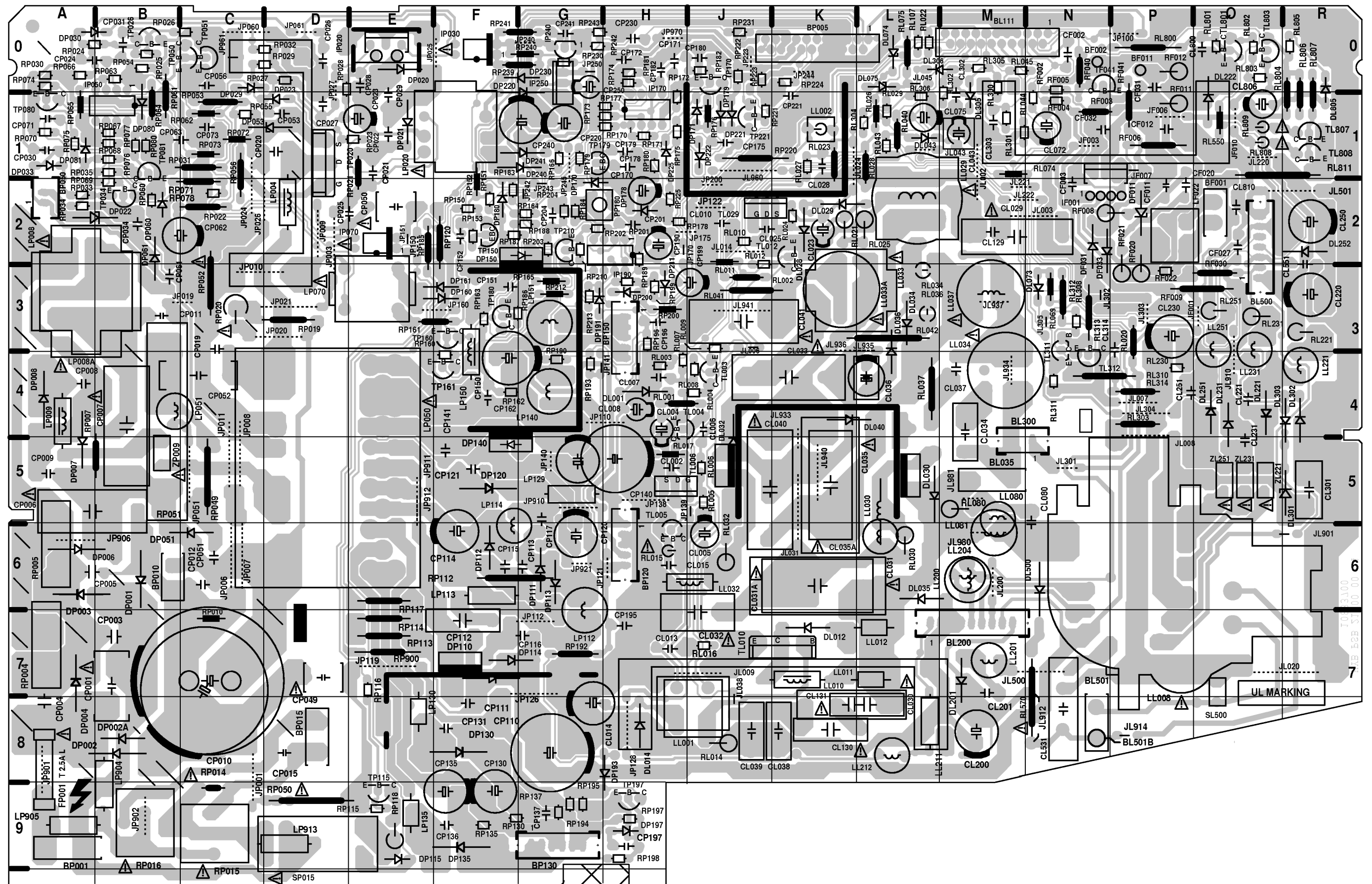
CRT
 CRT.210E0000.00
 Vector gun TTD Tube

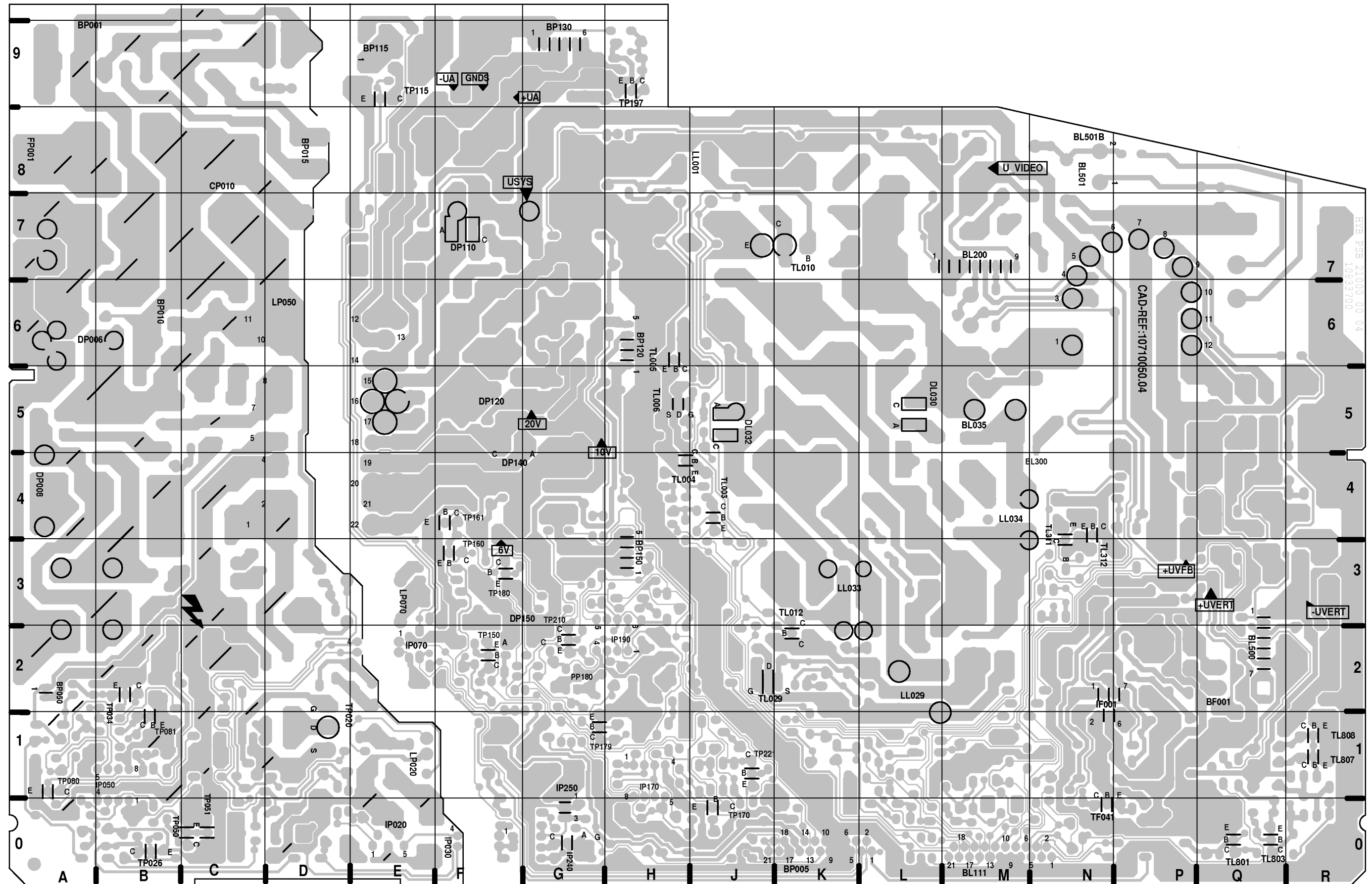
VIDEO AMPLIFIER BOARD - PLATINE AMPLIFICATEURS VIDEO - VIDEOVERSTÄRKERPLATTE - PIASTRA AMPLIFICATORE VIDEO - PLATINA AMPLIFICADOR VIDEO
 CRT.BS210E0010.00 - CRT.BS210E0020.00



POWER / SCAN BOARD - PLATINE ALIMENTATION / BALAYAGE - NETZTEIL- UND ABLENKPLATINE - PIASTRA DEFLESSIONE / ALIMENTAZIONE - PLACA ALIMENTACIÓN / BARRIDOS

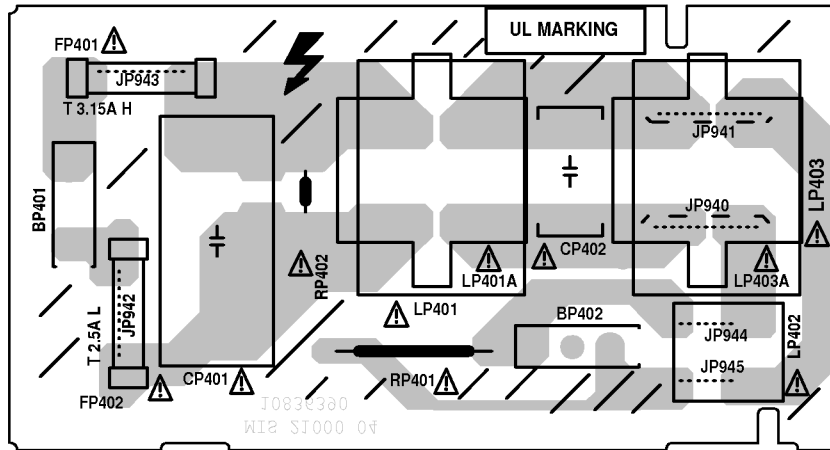
COMPONENT SIDE - COTE COMPOSANTS - BESTÜCKUNGSSEITE - LATO COMPONENTI - LADO COMPONENTES



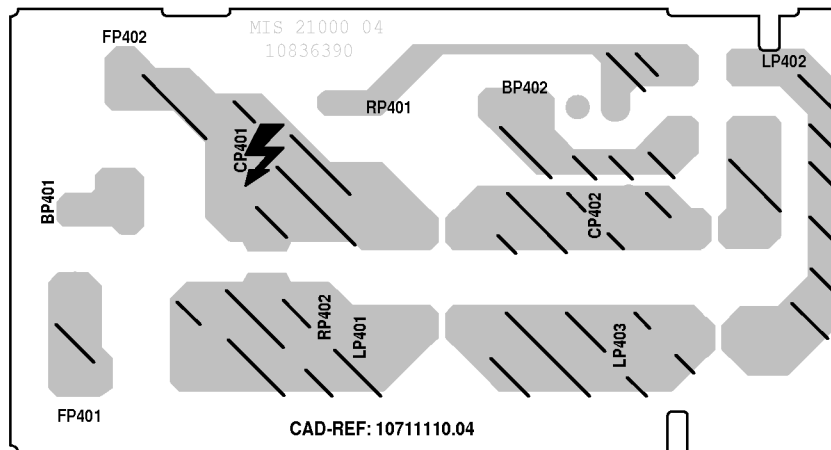


MAINS FILTER - FILTRE SECTEUR MIS210E0000

COMPONENT SIDE - COTE COMPOSANTS - BESTÜCKUNGSSEITE -
LATO COMPONENTI - LADO COMPONENTES



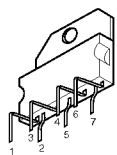
SOLDER SIDE - CÔTE SOUDURES - LÖTSEITE - LATO SALDATURE - LADO SOLDADURAS



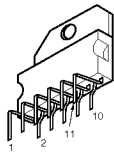
LIST OF ABBREVIATIONS - LISTE DES ABREVIATIONS - ABKÜRZUNGEN LISTA DELLE ABBREVIAZIONI - LISTA DE ABBREVIACIONES

● AQR_ON	DISABLE AQUISITION MODE REGUL. ENABLE PWM PULSE	● INF_POW_FAIL	POWER FAIL INFORMATION
● AUDIO_MUTE	MUTES AUDIO AMPLIFIERS	● IR	INFRARED RECEIVER
● AV1_8	PIN_8 DETECTOR	● LED	LED DISPLAY
● AV_LINK	AV_LINK DATAS VCR/TV	● M_RES#	MAIN RESET SIGNAL
● AV_R_OUT	AUDIO RIGHT-OUT	● NMI	NON MASKABLE INTERRUPT
● AV_L_OUT	AUDIO LEFT-OUT	● PHI2_REF	PHI2 REFERENCE SIGNAL
● AV_R_IN	AUDIO RIGHT-IN	● PKS	PEAK SENSING
● AV_L_IN	AUDIO LEFT-IN	● PO	POWER ON
● AV_B	BLUE SIGNAL FROM AV	● PWM	PULSE WIDTH MODULATION
● AV_G	GREEN SIGNAL FROM AV	● RESET	RESET TO MICROPROCESSOR
● AV_R	RED SIGNAL FROM AV	● RF_CVBS	DEMODULATED TERRESTRIAL TUNER SIGNAL
● AV_C_IN	CHROMA-IN	● ROTATION	OUTPUT OF EARTH FIELD CORRECTION STAGE
● AV_FB	FAST BLANK SIGNAL FROM AV SCART	● R_OUT	RED SIGNAL TO VIDEO AMPLIFIER
● AV_Y_IN	VIDEO-IN	● R_TXT	RED SIGNAL OUTPUT (TEXT)
● BEAM_INFO	BEAM CURRENT INFORMATION	● SIF	SOUND IF OUTPUT
● BLKCURR	CUT OFF CURRENT	● SSC_V_GUARD	SAFETY DATA GENERATED BY THE VERTICAL AMPLIFIER TDA8177F
● B_TXT	BLUE SIGNAL OUTPUT (TEXT)	● +USYS	SYSTEM VOLTAGE
● B_OUT	BLUE SIGNAL TO VIDEO AMPLIFIER	● +/- UA	SOUND VOLTAGE
● BREATHING	COMPENSATE BREATHING PICTURE SIGNAL	● +UVERT	POSITIVE SUPPLY VERTICAL VOLTAGE
● BSVM	BEAM SCAN VELOCITY MODULATION	● -UVERT	NEGATIVE SUPPLY VERTICAL VOLTAGE
● CNT1_20V	SAFETY SIGNAL TO INSURE A GOOD CONNECTION BETWEEN SIGNAL BOARD AND POWER BOARD (BV001- BL111)	● +UVFB	POSITIVE SUPPLY VOLTAGE FOR VERTICAL POWER STAGE
● CNT2_20V	SAFETY SIGNAL TO INSURE A GOOD CONNECTION BETWEEN SIGNAL BOARD AND POWER BOARD (BP500- BP005)	● +UVIDEO	VIDEO VOLTAGE FOR THE CRT BOARD
● CRT	CATHODE RAY TUBE	● U_OUT	U TO VIDEO PART
● CVBS	VIDEO	● V_OUT	V TO VIDEO PART
● CVBS_TXT	TEXT VIDEO	● V_DRIVE	VERTICAL DEFLECTION DRIVE SIGNAL
● DEGAUSS	DEGAUSS SIGNAL	● Y_OUT	Y TO VIDEO PART
● DPC	DYNAMIC PHASE COMPENSATION SIGNAL	● +UVFB	POSITIVE SUPPLY VOLTAGE FOR VERTICAL POWER STAGE
● EFC	EARTH FIELD CORRECTION	● 1V8	SUPPLIES 1V81H / 1V82H POWER SUPPLY UP CONVERTER PART OF SIGNAL BOARD
● EHT	EXTREMELY HIGH TENSION	● 3V3	3V3 POWER SUPPLY UP CONVERTER PART OF SIGNAL BOARD
● EHT INFO	HORIZONTAL DEFLECTION PROTECTION	● 5 V_A / 5V_V	5V POWER SUPPLY SIGNAL BOARD
● E.W_DRIVE	EAST - WEST DRIVE SIGNAL	● 5V_STBYL / 5V_PR	MICROPROCESSOR SUPPLY VOLTAGE
● EW_PROT	SAFETY SIGNAL FROM DIODE MODULATOR	● 5V_STBY	5V STANDBY
● FB DETEC	FAST BLANKING DETECT	● 6 V	SUPPLIES THE 5V REGULATION AND 3V3 AND 1V8 REGULATORS ON THE SIGNAL BOARD.
● FB_TXT	FAST BLANKING (TEXT)	● 10 V	SUPPLIES THE 8V_V REGULATORS ON SIGNAL BOARD
● FW ADJ.	FULL WHITE ADJUSTMENT	● 8 V_V	8V SUPPLY SIGNAL BOARD
● G_OUT	GREEN SIGNAL TO VIDEO AMPLIFIER	● 7V_STBY	7V STANDBY
● G_TXT	GREEN SIGNAL OUTPUT (TEXT)	● 33V	SUPPLY VOLTAGE TUNER
● H_DRIVE	DRIVE SIGNAL FOR HORIZONTAL DEFLECTION	● 20V	SUPPLY VOLTAGE HORIZONTAL DRIVER AND BSVM CRT
● HEATER	HEATER OUTPUT FROM THE DST TO CRT		
● IIC-CL-1	I2C CLOCK BUS 1		
● IIC-CL-2	I2C CLOCK BUS 2		

INTEGRATED CIRCUITS AND TRANSISTORS OUTLINE - CIRCUITS INTEGRES ET TRANSISTORS INTEGRIERTE SCHALTUNGEN UND TRANSISTOREN - CIRCUITI INTEGRATI TRANSISTOR - CIRCUITOS INTEGRADOS Y TRANSISTORES



TDA 8177F



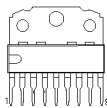
TDA7269



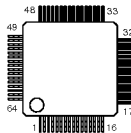
LM393
NJM2903D
VIPER20DIP



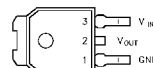
MC4558CD
LM358D
TL431ACL
M24C16MN6



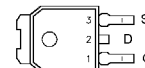
TDA6108JF



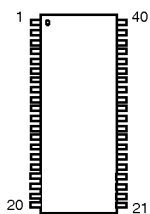
MSP3410G



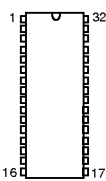
LF85CDT
KF80BDT
LD1117DT33
LD1117DT18



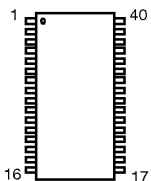
STD17NF03L



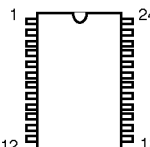
SAA4956TJ



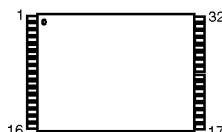
CXK581000AM-70LL



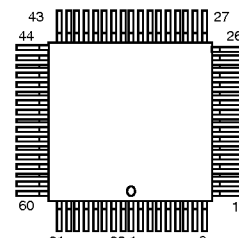
MX27C4000MC-90



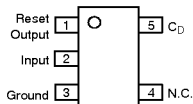
TDA9178



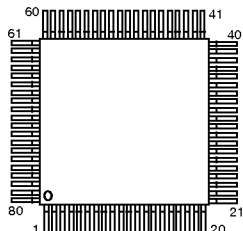
OTP THOMSON :
M27C801



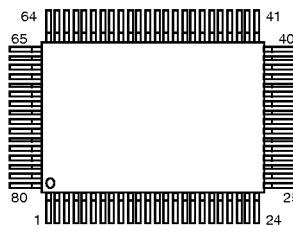
DMU0 CUT 2.1



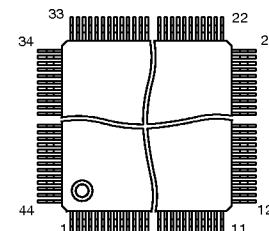
NCP303LSN45T1



VSP9402A-B13



ST92R195B/JAM



TDA9330



BC846-BC846B
BC 847B-BC856B
BC857B-BF 799
BC 848 A/B/C
BCR141-BCR141N
BCR191
BF660
DTC113ZK



BSN20



BF420
BF 422



BC327
BC 337
BC546B
BC 548B
BC556B
BC 558B
BF959



MPS750P
MPSW01A



ON4977N
2SC5588



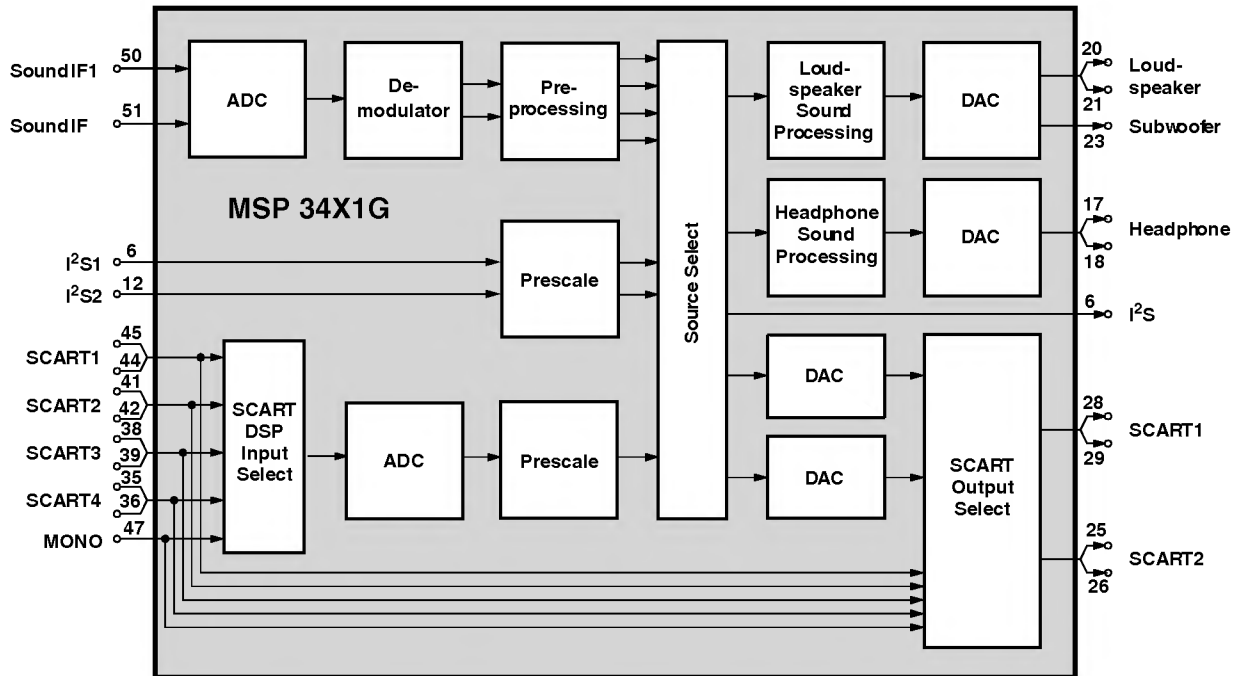
BD139
BD140



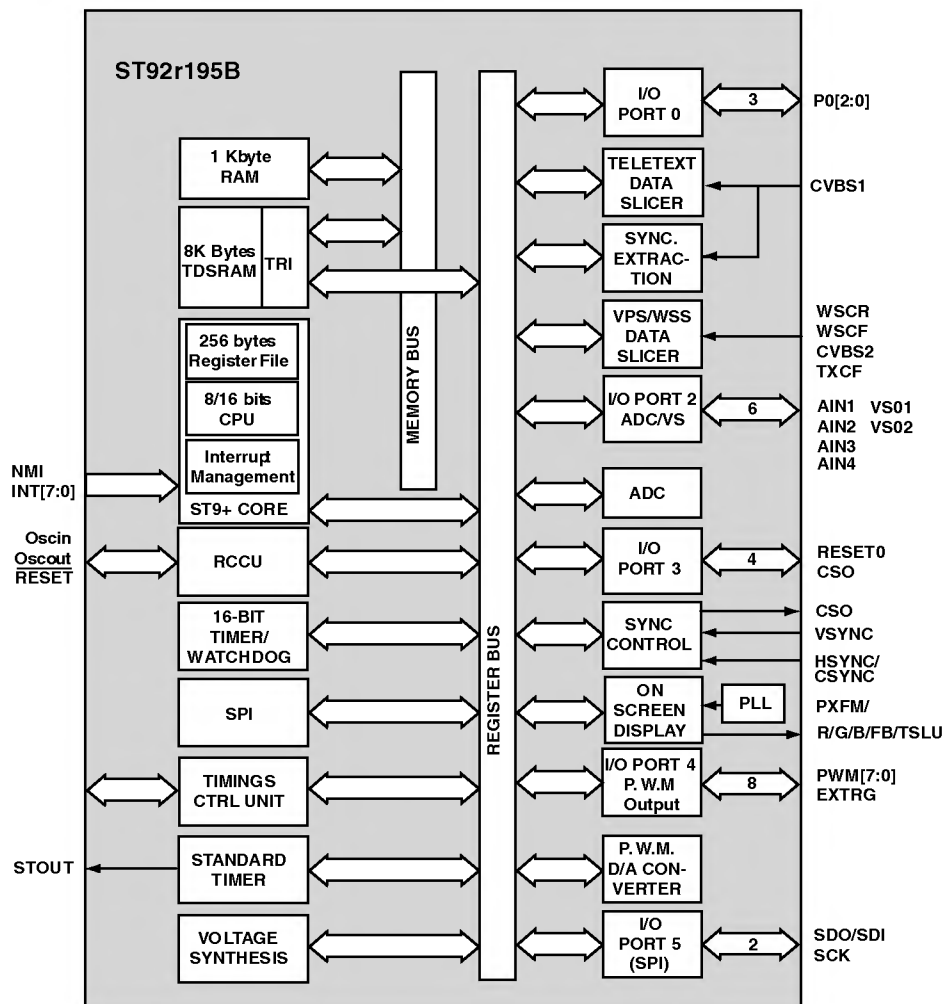
STH13NB60F1
SPW17N80C2
IRF630FP

INTEGRATED CIRCUITS BLOCK DIAGRAMS - SYNOPTIQUES INTERNES DES CIRCUITS
 INTEGRES - INTEGRIERTE SCHALTUNGEN BLOCKSCHALTBILDER - SCHEMA A
 BLOCCHI DEI CIRCUITI INTEGRATI - VISTA INTERNA DE LOS CIRCUITOS INTEGRADOS

IA001- MSP34X0 / X1G



IR001- ST92R195B





SYSTÈME DE CODAGE POUR RÉPARATION EACEM-IRIS

TABLE DES CODES SYMPTÔMES



1	2	3	4	5	6	7	8	
CONSTANT	PAS DE FONCTION	NIVEAU	QUALITÉ	BRUIT	INSTABILITÉ	PROBLÈMES PHYSIQUES OU D'ENREGISTREMENT	FONCTION SPÉCIALE	AUTRES CONDITIONS
1 2 3 4 5 6 7 8 9 A B C D E F G H J K L M N O P	110 111 112 113 114 115 116 117 118 119 11A 11B 11C 11D 11E 11F 11G 11H 11I 11J 11K 11L 11M 11N 11O 11P	120 121 122 123 12X	130 131 132 133 134 135 136 137 138 139 13A 13B 13C 13D 13E 13F 13X	140 141 142 143 144 145 146 147 148 149 14A 14B 14C 14X	150 151 152 153 154 15X	160 161 162 163 164 165 166 167 168 169 16A 16B 16C 16D 16E 16F 16G 16H 16I 16J 16K 16L 16M 16N 16P 16R 16X	170 171 172 173 174 175 176 177 178 179 17A 17B 17C 17D 17E 17F 17G 17H 17I 17J 17K 17L 17M 17N 17X	180 181 182 183 184 185 186 187 188 189 18X 18Y 18Z
1 2 3 4 5 6 7 8 9 A B C D E F G H J K L M N O P	210 211 212 213 214 215 216 217 218 219 21A 21B 21C 21D 21E 21F 21X	220 221 222 223 224 225 226 227 228 229 22A 22B 22C 22X	230 231 232 233 234 235 236 237 238 239 23X	240 241 242 243 244 245 246 247 248 249 24A 24B 24C 24X	250 251 252 253 254 25X	260 261 262 263 264 265 266 267 268 269 26A 26B 26C 26D 26E 26F 26G 26H 26I 26J 26K 26L 26M 26N 26P 26R 26X	270 271 272 273 274 275 276 277 278 279 27A 27B 27C 27D 27E 27F 27G 27H 27I 27J 27K 27L 27M 27N 27X	280 281 282 283 284 285 286 287 288 289 28A 28B 28C 28X
1 2 3 4 5 6 7 8 9 A B C D E F G H J K L M N O P	310 311 312 313 314 315 316 317 318 319 31X	320 321 322 323 324 325 326 327 328 329 32X	330 331 332 333 334 335 336 337 338 339 33A 33B 33X	340 341 342 343 344 345 346 347 348 349 34A 34B 34C 34X	350 351 352 353 354 355 356 357 358 359 35A 35B 35X	360 361 362 363 364 365 366 367 368 369 36A 36B 36C 36D 36E 36F 36G 36H 36I 36J 36K 36L 36M 36N 36P 36R 36X	370 371 372 373 374 375 376 377 378 379 37A 37B 37C 37D 37E 37F 37G 37H 37I 37J 37K 37L 37M 37N 37X	380 381 382 383 384 385 386 387 388 389 38A 38B 38C 38X
1 2 3 4 5 6 7 8 9 A B C D E F G H J K L M N O P	410 411 412 413 414 41X	420 421 422 42X	430 431 432 433 434 435 436 437 438 439 43X	440 441 442 443 444 445 446 447 448 449 44A 44B 44C 44X	450 451 452 453 454 455 456 457 458 459 45A 45B 45X	460 461 462 463 464 465 466 467 468 469 46A 46B 46C 46D 46E 46F 46G 46H 46I 46J 46K 46L 46M 46N 46P 46R 46X	470 471 472 473 474 475 476 477 478 479 47A 47B 47C 47D 47E 47F 47G 47H 47I 47J 47K 47L 47M 47N 47X	480 481 482 483 484 485 486 487 488 489 48A 48B 48C 48X
1 2 3 4 5 6 7 8 9 A B C D E F G H J K L M N O P	510 511 512 513 514 515 516 517 518 519 51X	520 521 522 523 524 525 52X	530 531 532 533 534 535 53X	540 541 542 543 544 545 546 547 548 549 54X	550 551 552 553 554 555 556 557 55X	560 561 562 563 564 565 566 567 568 569 56A 56B 56C 56D 56E 56F 56G 56H 56I 56J 56K 56L 56M 56N 56P 56R 56X	570 571 572 573 574 575 576 577 578 579 57A 57B 57C 57D 57E 57F 57G 57H 57I 57J 57K 57L 57M 57N 57X	580 581 582 583 584 585 58X
1 2 3 4 5 6 7 8 9 A B C D E F G H J K L M N O P	610 611 612 613 614 615 616 617 618 619 61A 61B 61X	620 621 622 623 624 625 626 627 628 629 62A 62B 62X	630 631 632 633 63X	640 641 642 643 644 645 646 647 648 649 64A 64B 64C 64X	650 651 652 653 654 655 656 657 658 659 65A 65B 65X	660 661 662 663 664 665 666 667 668 669 66A 66B 66C 66D 66E 66F 66G 66H 66I 66J 66K 66L 66M 66N 66P 66R 66X	670 671 672 673 674 675 676 677 678 679 67A 67B 67C 67D 67E 67F 67G 67H 67I 67J 67K 67L 67M 67N 67X	680 681 682 683 684 68X
1 2 3 4 5 6 7 8 9 A B C D E F G H J K L M N O P	710 711 712 713 714 715 716 717 718 719 71A 71B 71X	720 721 722 723 724 725 726 727 728 729 72A 72X	730 731 732 733 734 735 736 737 73X	740 741 742 743 744 745 746 747 748 749 74A 74B 74X	750 751 752 753 754 755 756 757 758 759 75A 75B 75X	760 761 762 763 764 765 766 767 768 769 76A 76B 76C 76D 76E 76F 76G 76H 76I 76J 76K 76L 76M 76N 76P 76R 76X	770 771 772 773 774 775 776 777 778 779 77A 77B 77C 77D 77E 77F 77G 77H 77I 77J 77K 77L 77M 77N 77X	780 781 782 783 784 785 786 787 788
1 2 3 4 5 6 7 8 9 A B C D E F G H J K L M N O P	810 811 812 813 814 815 816 817 818 819 81A 81B 81X	820 821 822 823 824 825 826 827 828 829 82A 82B 82X	830 831 832 833 834 835 836 837 838 839 83A 83B 83X	840 841 842 843 844 845 846 847 848	850 851 852 853 85X	860 861 862 863 864 865 866 867 868	870 871 872 873 874 875 876 877 878 879 87A 87B 87C 87D 87E 87F 87G 87H 87I 87J 87K 87L 87M 87N 87X	880 881 882 883 884 88X

(*1)
ATTENTION
'LES CODES ÉTENDUS "X" (*-*) POURRONT SEULEMENT ÊTRE UTILISÉS POUR INDIQUER QU'UNE DÉSIGNATION ADÉQUATE DU SYMPTÔME MANQUE DANS LE GROUPE DE SYMPTÔMES CONCERNÉ'

EACEM - CODES DE SECTION

COMMUN	
ANT	ÉTAGE D'ANTENNE
APR	TRAITEMENT DES SIGNAUX (ANALOGIQUE)
BCH	CHARGEMENT DE BATTERIE
CLK	ÉTAGE DE MINUTERIE
CPA	TRAITEMENT COULEUR ANALOGIQUE
CTR	PANNEAU DE CONTRÔLE
DPR	TRAITEMENT DES SIGNAUX (NUMÉRIQUE)
ERA	CIRCUIT EFFACEMENT
FLX	PLAQUETTE FLEXIBLE
HFS	ÉTAGE DE HAUTE FRÉQUENCE
IDS	CIRCUIT DE DISPLAY
IFC	CIRCUIT FI
ILN	SECTION i.LINK (IEEE1394)
INP	ÉTAGE D'ENTRÉE DES SIGNAUX
IRD	CIRCUIT INFRAROUGE (IrDA)
MEM	ÉTAGE DE MÉMOIRE
OUT	ÉTAGE DE SORTIE DES SIGNAUX
PRG	ÉTAGE DE PROGRAMMATION
PRT	CIRCUIT DE PROTECTION/CIRCUIT
PSU	ALIMENTATION
PWA	AMPLIFICATEUR DE PUISSANCE
REM	TÉLÉCOMMANDE
RFU	AMPLIFICATEUR/UNITÉ RF
SFT	SOFTWARE (BANDE/DISQUE/ETC.)
SNS	UNITÉ DE DÉTECTION
SVO	ÉTAGE D'ASSERVISSEMENT
SYS	ÉTAGE DU SYSTÈME DE CONTRÔLE
TUN	ÉTAGE DE SYNTONISATION
TXT	TRAITEMENT DE TEXTE
AUDIO	
APA	TRAITEMENT AUDIO ANALOGIQUE
APD	TRAITEMENT AUDIO DIGITAL
CDC	CHANGEUR DE DISQUES
CDS	SECTION CD
MDC	CHANGEUR MD
MDS	CIRCUIT MINIDISQUE
MIC	ÉTAGE DE MICROPHONE
PUD	PHONOLECTEUR
SHD	TÊTE(S) FIXE(S)
SPK	HAUT-PARLEUR
VIDÉO	
CAM	CIRCUIT CAMÉRA
CPD	TRAITEMENT COULEUR DIGITAL
CRT	ÉCRAN CATHODIQUE
DFL	CIRCUIT DE DÉVIATION
DVD	SECTION DVD
FPK	CIRCUIT DE MISE AU POINT
IMG	UNITÉ D'AFFICHAGE D'IMAGES

VIDÉO	
LCD	SECTION LCD
LMP	CIRCUIT LAMPE/FLASH
VPA	TRAITEMENT VIDÉO ANALOGIQUE
VPD	TRAITEMENT VIDÉO DIGITAL
VWF	VISEUR
PC	
FDD	ENTRAÎNEMENT DU DISQUE FLEXIBLE
FMW	PROGRAMMATION FIXE
HDD	ENTRAÎNEMENT DU DISQUE DUR
ISA	SECTION ISA
JST	MANETTE DE JEU
KBD	CLAVIER
MDM	CIRCUIT MODEM
NIF	INTERFACE RÉSEAU
PAR	PORTE PARALLÈLE
PCC	CARTE PC
PCI	CIRCUIT PCI
SCS	PORTE SCSI
SER	PORTE SÉRIE
USB	PORTE USB
MÉCANIQUE	
ARM	MÉCANISME DU BRAS
BZL	COUVERCLE
CBT	BOÎTIER
CHA	CHÂSSIS
DDM	ÉTAGE D'ENTRAÎNEMENT DU DISQUE
EXC	CONNECTEUR EXTERNE
HCM	MÉCANISME DE SUPPORT DE TÊTE
HOL	SUPPORT DE CASSETTE
INC	CONNECTEUR INTERNE
LDG	MÉCANISME DE CHARGEMENT
LMN	MÉCANISME DE LENTILLE
PFM	MÉCANISME D'AVANCEMENT DU PAPIER
PIN	GALET/LEVIER PRESSEUR
PRI	BLOC D'IMPRIMANTE
RFM	MÉCANISME D'AVANCEMENT DU RUBAN
RHD	TÊTE(S) ROTATIVE(S)
SLD	MÉCANISME DE DÉPLACEMENT
SRS	ÉTAGE DE LA BOBINE DÉBITRICE
STA	BLOQUE STATIQUE
TDM	MÉCANISME D'ENTRAÎNEMENT DE LA BANDE
THR	MÉCANISME DE MISE EN PLACE
TNR	LEVIER DE RÉGLAGE DE LA TENSION DE BANDE
TPT	PARCOURS DE BANDE
TRS	ÉTAGE DE LA BOBINE RÉCEPTRICE
WIR	CÂBLE
XXX	PIÈCES ESTHÉTIQUES

CODES DE DÉFAUTS			
MÉCANIQUE		ÉLECTRIQUE	
A	USÉ (OU DÉFAUT MÉCANIQUE GÉNÉRAL)	N	COMPOSANT/MODULE ÉLECTRIQUE DÉFECTUEUX
A1	MAUVAIS FONCTIONNEMENT	O	BRÛLÉ/ARC/PIXELS MANQUANTS
B	SALE/MACULÉ	P	DÉRÉGLAGE ÉLECTRIQUE/AJUSTAGE INCORRECT
C	DÉRÉGLAGE MÉCANIQUE	Q	COURT-CIRCUIT
D	COUPURE/DÉFECTUEUX	R	OUVERTURE
E	DÉFORMATION	S	FUITE ÉLECTRIQUE
F	ENCLÈCHEMENT/CALAGE	T	MAUVAIS CONTACT/SOUDURE
G	RAYÉ/ÉBRÉCHÉ/BORDS COUPANTS	T1	MAUVAISE TERRE
H	CRAQUELÉ/DÉCOLLÉ/ROUILLÉ/FONDU	U	CIRCUIT OUVERT
I	LÂCHÉ/DÉTACHÉ/DÉNUDÉ	V	PLAQUETTE FISSURÉE
J	INSTABLE	W	SOUDURE SÈCHE OU MANQUANTE
K	FUITE MÉCANIQUE	X	SOUDURE EN PONT
L	SEC (PAS DE LUBRIFIANT)	Y	PIÈCE/MODULE ERRONÉ
M	OBJET/CORPS ÉTRANGER	Z	PIÈCE/MODULE MANQUANT
		1	PROBLÈME DE LOGICIEL
		11	PERTE DES DONNÉES EN MÉMOIRE
		12	MAUVAIS PROGRAMME D'INSTALLATION
		13	LOGICIEL DÉFECTUEUX OU INCOMPLET
		14	PROBLÈME DE MISE EN PLACE DU LOGICIEL
		15	PAS D'IDENTIFICATION/AUTHENTIFICATION DU PRODUIT OU DE L'UTILISATEUR
		2	ÉPUISÉ/ÉMISSION FAIBLE
		3	RAS - DANS LES SPÉCIFICATIONS
		4	RAS - UTILISATION PARTICULIÈRE
		5	NO PROBLEM FOUND - LOCAL CONDITIONS
		51	MAUVAISE TENSION SECTEUR
		6	DIAGNOSTIC IMPOSSIBLE
		7	CÂBLAGE OU ASSEMBLAGE INCORRECT
		81	RACCORDEMENT INCORRECT DE L'ÉQUIPEMENT
		9	MAUVAISE UTILISATION
		93	MODIFICATION NON AUTORISÉE

CODES DE RÉPARATION			
A	REPLACEMENT	Q	ACTION PRÉVENTIVE SANS REPLACEMENT DE PIÈCES
B	RÉGLAGE MÉCANIQUE	U	EXPLICATIONS COMPLÉMENTAIRES
C	ELECTRICAL ALIGNMENT	V	DEVIS REFUSÉ
D	RESSOUDURE PRÉVENTIVE	W	DEVIS AVEC PIÈCES
D1	RETOUCHE/REMISE EN BONNE POSITION (CONNECTEUR/TUBE ...)	X	DEVIS SANS PIÈCES
E	NETTOYAGE	Y	RETOUR AU CLIENT SANS RÉPARATION
F	LUBRIFICATION	Z	ÉCHANGE D'APPAREIL
G	RÉPARATION PIÈCES ÉLECTRIQUES	Z1	ÉCHANGE PRODUIT (RÉPARATION TROP COÛTEUSE)
H	RÉPARATION PIÈCES MÉCANIQUES	Z2	ÉCHANGE PRODUIT (TROP D'INTERVENTIONS)
I	MODIFICATION DEMANDÉE PAR LE FABRICANT	Z3	ÉCHANGE PRODUIT (PIÈCE NON DISPONIBLE)
J	ENLEVÉ/RETIRÉ	Z4	ÉCHANGE PRODUIT (RÉPARATION IMPOSSIBLE)
K	AJOUTÉ	Z5	ÉCHANGE PRODUIT (DEMANDE REVENDEUR)
L	CONTRÔLE FONCTIONNEL	Z6	ÉCHANGE PRODUIT (DEMANDE FABRICANT)
M	MESURE DES SPÉCIFICATIONS	1	CORRECTION DE LOGICIEL/RÉINITIALISATION
N	ENTRETIEN	2	REMISE À NIVEAU DU LOGICIEL
O	REMISE EN ÉTAT	3	REMISE À NIVEAU DU PRODUIT
P	REPLACEMENT PRÉVENTIF DE PIÈCES		

EXEMPLE

CODE SYMPTÔME	RÉFÉRENCE PIÈCE	RÉFÉRENCE SCHÉMA	CODE SECTION	CODE PLAQUETTE	CODE DÉFAUT	CODE REPARATION	NOMBRE
1 4 1 2	1 1 1 1 1 1 1 1 1 1 1 1 1 1 1	R 1 2 3	T D M	Y A 2 2	C 1	Z 1	. .
3 6 4 1	3 4 5 6 7 8 9 X X X X X X X X X	1 1 1					